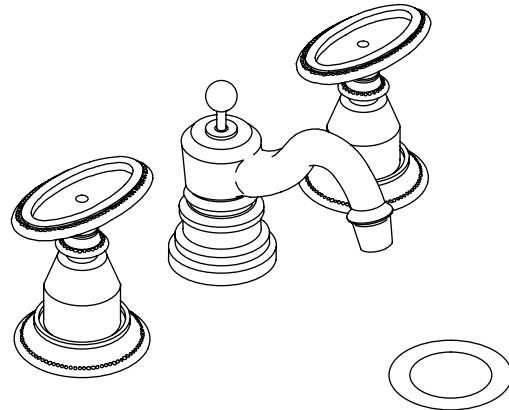


**WIDESPREAD LAVATORY FAUCET  
K-280**

**Features**

- Brass construction
- Brass valve bodies
- Quarter-turn washerless ceramic disc valves
- Flexible connections for easy installation
- Pop-up drain with lift rod and tailpiece
- For 8" (20.3 cm) or 16" (40.6 cm) centers
- Stationary spout
- Oval handles
- 4-5/8" (11.7 cm) spout reach
- 1.5 gallons (5.7 liters) per minute maximum flow rate



**Codes/Standards Applicable**

Specified model meets or exceeds the following at date of manufacture:

- ASME A112.18.1/CSA B125.1
- NSF 61
- Energy Policy Act of 1992
- All applicable US Federal and State material regulations

**Colors/Finishes**

- CP: Polished Chrome
- Other: Refer to Price Book for additional colors/finishes

**Accessories**

- Other: Refer to Price Book for additional colors/finishes
- NA: None applicable

**Specified Model**

| Model                       | Description  | Colors/Finishes                     |                                     |
|-----------------------------|--|-------------------------------------|-------------------------------------|
| K-280-9B                    | Widespread lavatory faucet   | <input type="checkbox"/> CP         | <input type="checkbox"/> Other ____ |
| <b>Required Accessories</b> |  |                                     |                                     |
| K-253                       | Ceramic oval handle insets and skirts, pair, garland texture <b>OR</b> | <input type="checkbox"/> Other ____ |                                     |
| K-258                       | Ceramic oval handle insets and skirts, pair                            | <input type="checkbox"/> Other ____ |                                     |
| <b>Optional Accessories</b> |  |                                     |                                     |
| _____                       | Additional flow options are available (refer to the Kohler Price Book) | <input type="checkbox"/> NA         |                                     |

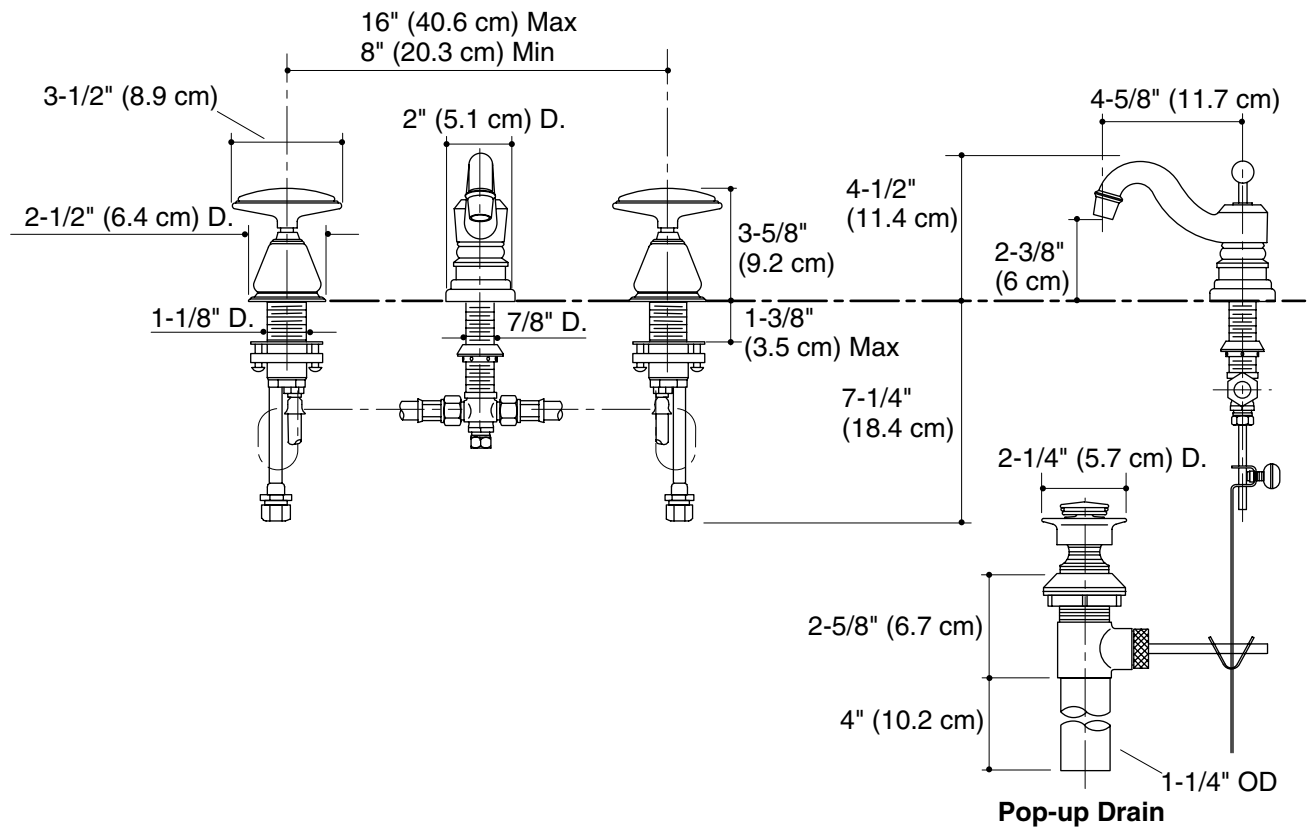
**Product Specification**

The two-handle widespread lavatory faucet shall be of brass construction with brass valve bodies. Product shall have a maximum flow rate of 1.5 gallons (5.7 liters) per minute. Product shall feature quarter-turn washerless ceramic disc valves, a stationary spout, flexible connections for easy installation, oval handles, and a 4-5/8" (11.7 cm) spout reach. Product shall be for 8" (20.3 cm) or 16" (40.6 cm) centers. Product shall include a pop-up drain with lift rod and tailpiece. Faucet shall be Kohler Model K-280-9B-\_\_\_\_\_ and ceramic trim shall be Kohler Model K-\_\_\_\_\_-\_\_\_\_\_.

# ANTIQUETM

## Installation Notes

Install this product according to the installation guide.



## Product Diagram