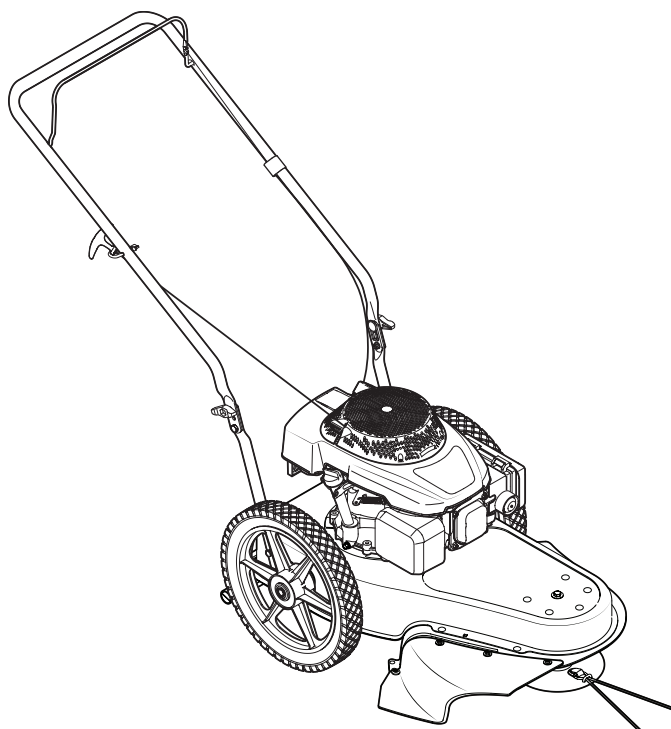


Cub Cadet[®]

OPERATOR'S MANUAL



22-inch String Trimmer — Model Series 260

⚠ WARNING

**READ AND FOLLOW ALL SAFETY RULES AND INSTRUCTIONS IN THIS MANUAL
BEFORE ATTEMPTING TO OPERATE THIS MACHINE.
FAILURE TO COMPLY WITH THESE INSTRUCTIONS MAY RESULT IN PERSONAL INJURY.**

CUB CADET LLC, P.O. BOX 361131 CLEVELAND, OHIO 44136-0019

Thank You

Thank you for purchasing a Lawn Mower manufactured by Cub Cadet. It was carefully engineered to provide excellent performance when properly operated and maintained.

Please read this entire manual prior to operating the equipment. It instructs you how to safely and easily set up, operate and maintain your machine. Please be sure that you, and any other persons who will operate the machine, carefully follow the recommended safety practices at all times. Failure to do so could result in personal injury or property damage.

All information in this manual is relative to the most recent product information available at the time of printing. Review this manual frequently to familiarize yourself with the machine, its features and operation. Please be aware that this Operator's Manual may cover a range of product specifications for various models. Characteristics and features discussed and/or illustrated in this manual may not be applicable to all models. We reserve the right to change product specifications, designs and equipment without notice and without incurring obligation.

If applicable, the power testing information used to establish the power rating of the engine equipped on this machine can be found at www.opei.org or the engine manufacturer's web site.

If you have any problems or questions concerning the machine, phone your local Cub Cadet dealer or contact us directly. Cub Cadet's Customer Support telephone numbers, website address and mailing address can be found on this page. We want to ensure your complete satisfaction at all times.

Throughout this manual, all references to *right* and *left* side of the machine are observed from the operating position

The engine manufacturer is responsible for all engine-related issues with regards to performance, power-rating, specifications, warranty and service. Please refer to the engine manufacturer's Owner's/Operator's Manual, packed separately with your machine, for more information.

Table of Contents

Important Safe Operation Practices	3	Maintenance & Adjustments.....	13
Assembly & Set-Up	9	Troubleshooting.....	14
Controls & Features.....	11	Replacement Parts.....	15
Operation.....	12	Warranty.....	Back Cover

Record Product Information

Before setting up and operating your new equipment, please locate the model plate on the equipment and record the information in the provided area to the right. You can locate the model plate by standing at the operator's position and looking down at the rear of the deck. This information will be necessary, should you seek technical support via our web site, Customer Support Department, or with a local authorized service dealer.

MODEL NUMBER

--	--	--	--	--	--	--	--	--	--	--	--

SERIAL NUMBER

--	--	--	--	--	--	--	--	--	--	--	--

Customer Support

Please do NOT return the machine to the retailer or dealer without first contacting the Customer Support Department.

If you have difficulty assembling this product, have questions regarding the controls, operation, or maintenance of this machine, want to order replacement parts/attachments/accessories, or want to view an online How-To video; you can seek help from the experts. Have your full model number and serial number ready. Choose from the options below:

- ◇ Web: www.cubcadet.com/equipment/cubcadet/service-and-parts
- ◇ Phone: (800) 965-4CUB
- ◇ Mail: Cub Cadet LLC • P.O. Box 361131 • Cleveland, OH • 44136-0019



WARNING: This symbol points out important safety instructions which, if not followed, could endanger the personal safety and/or property of yourself and others. Read and follow all instructions in this manual before attempting to operate this machine. Failure to comply with these instructions may result in personal injury.

When you see this symbol. **HEED ITS WARNING!**

CALIFORNIA PROPOSITION 65



WARNING: Engine Exhaust, some of its constituents, and certain vehicle components contain or emit chemicals known to State of California to cause cancer and birth defects or other reproductive harm.



WARNING: Battery posts, terminals, and related accessories contain lead and lead compounds, chemicals known to the State of California to cause cancer and reproductive harm. *Wash hands after handling.*



DANGER: This machine was built to be operated according to the safe operation practices in this manual. As with any type of power equipment, carelessness or error on the part of the operator can result in serious injury. This machine is capable of amputating fingers, hands, toes and feet and throwing objects. Failure to observe the following safety instructions could result in serious injury or death.

General Operation

1. Read this operator's manual carefully in its entirety before attempting to assemble this machine. Read, understand, and follow all instructions on the machine and in the manual(s) before operation. Keep this manual in a safe place for future and regular reference and for ordering replacement parts.
2. Be completely familiar with the controls and the proper use of this machine before operating it.
3. This machine is a precision piece of power equipment, not a plaything. Therefore, exercise extreme caution at all times. This machine has been designed to perform one job: to cut vegetation and grass. Do not use it for any other purpose.
4. Never allow children under 14 years of age to operate this machine. Children 14 and over should read and understand the instructions and safe operation practices in this manual and on the machine and should be trained and supervised by an adult.
5. Only responsible individuals who are familiar with these rules of safe operation should be allowed to use this machine.
6. Thoroughly inspect the area where the equipment is to be used. Remove all stones, sticks, wire, bones, toys and other foreign objects, which could be tripped over or picked up and thrown by the string trimmer. Thrown objects can cause serious personal injury.
7. Plan your trimming pattern to avoid discharge of material toward roads, sidewalks, bystanders and the like. Also, avoid discharging material against a wall or obstruction, which may cause discharged material to ricochet back toward the operator.
8. To help avoid trimmer line contact or a thrown object injury, stay in operator zone behind handles and keep children, bystanders, helpers and pets at least 75 feet from string trimmer while it is in operation. Stop machine if anyone enters area.
9. Always wear safety glasses or safety goggles during operation and while performing an adjustment or repair to protect your eyes. Thrown objects which ricochet can cause serious injury to the eyes.
10. Wear sturdy, rough-soled work shoes and close-fitting slacks and shirts. Shirts and pants that cover the arms and legs and steel-toed shoes are recommended. Never operate this machine in bare feet, sandals, slippery or light-weight (e.g. canvas) shoes.

11. Do not put hands or feet near or under rotating parts. Keep clear of discharge area at all times as the rotating spindle and trimmer lines can cause injury.
12. Never operate the string trimmer without proper shields, guards, control lever or other safety protective devices in place and working.
13. Never operate the string trimmer with damaged safety devices. Failure to do so, can result in personal injury.
14. Many injuries occur as a result of the string trimmer being pulled over the foot during a fall caused by slipping or tripping. Do not hold on to the string trimmer if you are falling; release the handle immediately.
15. Never pull the string trimmer back toward you while you are walking. If you must back the string trimmer away from a wall or obstruction first look down and behind to avoid tripping and then follow these steps:
 - a. Step back from string trimmer to fully extend your arms.
 - b. Be sure you are well balanced with sure footing.
 - c. Pull the string trimmer back slowly, no more than half way toward you.
 - d. Repeat these steps as needed.
16. Do not operate the string trimmer while under the influence of alcohol or drugs.
17. Do not engage the self-propelled mechanism on machines so equipped while starting engine.
18. The control lever is a safety device. Never attempt to bypass its operation. Doing so makes the safety device inoperative and may result in personal injury through contact with the rotating trimmer line. The control lever must operate easily in both directions and automatically return to the disengaged position when released.
19. Never operate the string trimmer in wet grass. Always be sure of your footing. A slip and fall can cause serious personal injury. If you feel you are losing your footing, release the control lever immediately and the spindle will stop rotating within three seconds.
20. Operate only in daylight or good artificial light. Walk, never run.
21. Stop the spindle when crossing gravel drives, walks or roads.
22. If the equipment should start to vibrate abnormally, stop the engine and check immediately for the cause. Vibration is generally a warning of trouble.
23. Shut the engine off and wait until the spindle comes to a complete stop before cleaning the discharge area. The spindle continues to rotate for a few seconds after the control lever is released. Never place any part of the body in the trimmer line area until you are sure the spindle has stopped rotating.
24. Never operate string trimmer without proper trail shield, discharge cover, control lever or other safety protective devices in place and working. Never operate string trimmer with damaged safety devices. Failure to do so can result in personal injury.
25. Muffler and engine become hot and can cause a burn. Do not touch.
26. Only use parts and accessories made for this machine by the manufacturer. Failure to do so can result in personal injury.
27. When starting engine, pull cord slowly until resistance is felt, then pull rapidly. Rapid retraction of starter cord (kickback) will pull hand and arm toward engine faster than you can let go. Broken bones, fractures, bruises or sprains could result.
28. If situations occur which are not covered in this manual, use care and good judgement. Contact Customer Support for assistance or the name of the nearest service dealer.

Slope Operation

Slopes are a major factor related to slip and fall accidents, which can result in severe injury. Operation on slopes requires extra caution. If you feel uneasy on a slope, do not trim on it. For your safety, use the slope gauge included as part of this manual to measure slopes before operating this machine on a sloped or hilly area. If the slope is greater than 15 degrees, do not trim on it.

Do:

1. Trim across the face of slopes; never up and down. Exercise extreme caution when changing direction on slopes.
2. Watch for holes, ruts, rocks, hidden objects, or bumps which can cause you to slip or trip. Tall grass can hide obstacles.
3. Always be sure of your footing. A slip and fall can cause serious personal injury. If you feel you are losing your balance, release the control lever immediately and the spindle will stop rotating within three (3) seconds.

Do Not:

1. Do not trim near drop-offs, ditches or embankments, you could lose your footing or balance.
2. Do not trim slopes greater than 15 degrees as shown on the slope gauge.
3. Do not trim on wet grass. Unstable footing could cause slipping.

Children

Tragic accidents can occur if the operator is not alert to the presence of children. Children are often attracted to the string trimmer and the trimming activity. They do not understand the dangers. Never assume that children will remain where you last saw them.

1. Keep children out of the trimming area and under watchful care of a responsible adult other than the operator.
2. Be alert and turn string trimmer off if a child enters the area.
3. Before and while moving backwards, look behind and down for small children.

4. Use extreme care when approaching blind corners, doorways, shrubs, trees, or other objects that may obscure your vision of a child who may run into the string trimmer.
5. Keep children away from hot or running engines. They can suffer burns from a hot muffler.
6. Never allow children under 14 years of age to operate this machine. Children 14 and over should read and understand the instructions and safe operation practices in this manual and on the machine and be trained and supervised by an adult.

Service

Safe Handling Of Gasoline:

1. To avoid personal injury or property damage use extreme care in handling gasoline. Gasoline is extremely flammable and the vapors are explosive. Serious personal injury can occur when gasoline is spilled on yourself or your clothes, which can ignite. Wash your skin and change clothes immediately.
 2. Use only an approved gasoline container.
 3. Never fill containers inside a vehicle or on a truck or trailer bed with a plastic liner. Always place containers on the ground away from your vehicle before filling.
 4. Remove gas-powered equipment from the truck or trailer and refuel it on the ground. If this is not possible, then refuel such equipment on a trailer with a portable container, rather than from a gasoline dispenser nozzle.
 5. Keep the nozzle in contact with the rim of the fuel tank or container opening at all times until fueling is complete. Do not use a nozzle lock-open device.
 6. Extinguish all cigarettes, cigars, pipes and other sources of ignition.
 7. Never fuel machine indoors because flammable vapors will accumulate in the area.
 8. Never remove gas cap or add fuel while engine is hot or running. Allow engine to cool at least two minutes before refueling.
 9. Never over fill fuel tank. Fill tank to no more than 1 inch below bottom of filler neck to provide for fuel expansion.
 10. Replace gasoline cap and tighten securely.
 11. If gasoline is spilled, wipe it off the engine and equipment. Move machine to another area. Wait 5 minutes before starting engine.
 12. Never store the machine or fuel container near an open flame, spark or pilot light as on a water heater, space heater, furnace, clothes dryer or other gas appliances.
 13. To reduce fire hazard, keep machine free of grass, leaves, or other debris build-up. Clean up oil or fuel spillage and remove any fuel soaked debris.
 14. Allow machine to cool at least 5 minutes before storing.
2. Before cleaning, repairing, or inspecting, make certain the spindle and all moving parts have stopped. Disconnect the spark plug wire and ground against the engine to prevent unintended starting.
 3. Check the spindle and engine mounting bolts at frequent intervals for proper tightness. Also, visually inspect spindle for damage. Replace with the original equipment manufacture's (O.E.M.) parts only, listed in this manual. "Use of parts which do not meet the original equipment specifications may lead to improper performance and compromise safety!"
 4. Keep all nuts, bolts, and screws tight to be sure the equipment is in safe working condition.
 5. Never tamper with safety devices. Check their proper operation regularly.
 6. After striking a foreign object, stop the engine, disconnect the spark plug wire and ground against the engine. Thoroughly inspect the string trimmer for any damage. Repair the damage before starting and operating the string trimmer.
 7. Trimmer components, guards and shields are subject to wear and damage which could expose moving parts or allow objects to be thrown. For safety protection, frequently check components and replace immediately with original equipment manufacturer's (O.E.M.) parts only, listed in this manual. "Use of parts which do not meet the original equipment specifications may lead to improper performance and compromise safety!"
 8. Do not change the engine's governor setting or over-speed the engine. The governor controls the maximum safe operating speed of the engine.
 9. Check fuel line, tank, cap, and fittings frequently for cracks or leaks. Replace if necessary.
 10. Do not crank engine with spark plug removed.
 11. Maintain or replace safety and instruction labels, as necessary.
 12. Observe proper disposal laws and regulations. Improper disposal of fluids and materials can harm the environment.
 13. According to the Consumer Products Safety Commission (CPSC) and the U.S. Environmental Protection Agency (EPA), this product has an *Average Useful Life* of seven (7) years, or 140 hours of operation. At the end of the *Average Useful Life* have the machine inspected annually by an authorized service dealer to ensure that all mechanical and safety systems are working properly and not worn excessively. Failure to do so can result in accidents, injuries or death.

Do not modify engine

To avoid serious injury or death, do not modify engine in any way. Tampering with the governor setting can lead to a runaway engine and cause it to operate at unsafe speeds. Never tamper with factory setting of engine governor.

General Service:

1. Never run an engine indoors or in a poorly ventilated area. Engine exhaust contains carbon monoxide, an odorless and deadly gas.

Notice Regarding Emissions

Engines which are certified to comply with California and federal EPA emission regulations for SORE (Small Off Road Equipment) are certified to operate on regular unleaded gasoline, and may include the following emission control systems: Engine Modification (EM), Oxidizing Catalyst (OC), Secondary Air Injection (SAI) and Three Way Catalyst (TWC) if so equipped.

Spark Arrestor












WARNING: This machine is equipped with an internal combustion engine and should not be used on or near any unimproved forest-covered, brush covered or grass-covered land unless the engine's exhaust system is equipped with a spark arrestor meeting applicable local or state laws (if any).

If a spark arrestor is used, it should be maintained in effective working order by the operator. In the State of California the above is required by law (Section 4442 of the California Public Resources Code). Other states may have similar laws. Federal laws apply on federal lands.

A spark arrestor for the muffler is available through your nearest engine authorized service dealer or contact the service department, P.O. Box 361131 Cleveland, Ohio 44136-0019.

Safety Symbols

This page depicts and describes safety symbols that may appear on this product. Read, understand, and follow all instructions on the machine before attempting to assemble and operate.

Symbol	Description
	READ THE OPERATOR'S MANUAL(S) Read, understand, and follow all instructions in the manual(s) before attempting to assemble and operate
	EYE PROTECTION Always wear safety glasses or safety goggles when operating this machine.
	DANGER — BYSTANDERS Do not trim when children or others are around.
	DANGER — HAND/ FOOT CUT Keep hands and feet away from rotating parts.
	DANGER — THROWN DEBRIS Remove objects that can be thrown by the machine in any direction. Wear safety glasses.
	DANGER — SLOPES Use extra caution on slopes. Do not trim on slopes greater than 15°.
	WARNING—GASOLINE IS FLAMMABLE Allow the engine to cool at least two minutes before refueling.
	WARNING— CARBON MONOXIDE Never run an engine indoors or in a poorly ventilated area. Engine exhaust contains carbon monoxide, an odorless and deadly gas.
	WARNING— HOT SURFACE Engine parts, especially the muffler, become extremely hot during operation. Allow engine and muffler to cool before touching.



WARNING: Your Responsibility—Restrict the use of this power machine to persons who read, understand and follow the warnings and instructions in this manual and on the machine.

SAVE THESE INSTRUCTIONS!

Slope Gauge

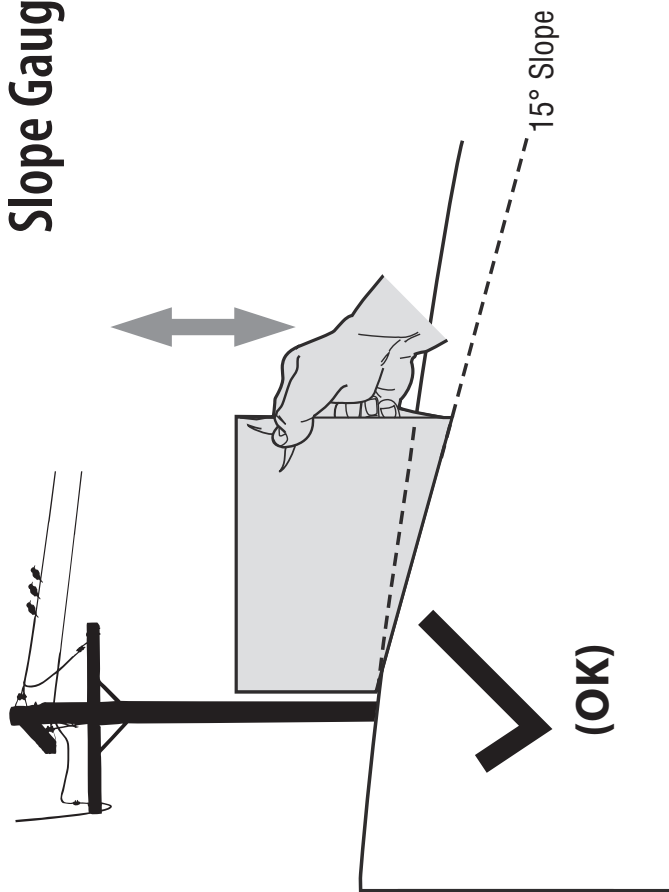


Figure 1

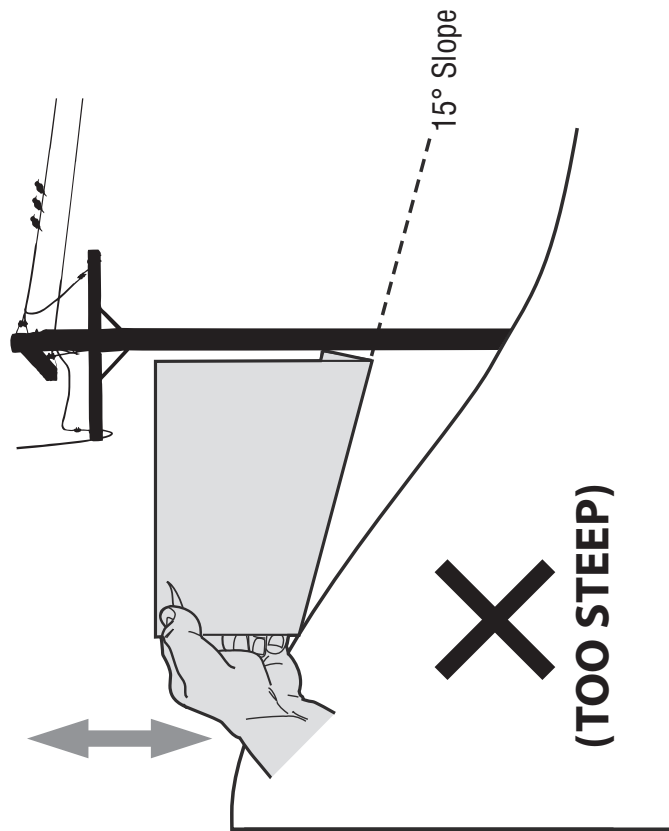


Figure 2

15° dashed line

USE THIS SLOPE GAUGE TO DETERMINE

IF A SLOPE IS TOO STEEP FOR SAFE OPERATION!

To check the slope, proceed as follows:

1. Remove this page and fold along the dashed line.
2. Locate a vertical object on or behind the slope (e.g. a pole, building, fence, tree, etc.)
3. Align either side of the slope gauge with the object (See Figure 1 and Figure 2).
4. Adjust gauge up or down until the left corner touches the slope (See Figure 1 and Figure 2).
5. If there is a gap below the gauge, the slope is too steep for safe operation (See Figure 2 above).



WARNING! Slopes are a major factor related to slip and fall accidents which can result in severe injury or death.

Do not operate machine on slopes in excess of 15 degrees. All slopes require extra caution.

Always mow across the face of slopes, never up and down slopes.

Contents of Carton

- String Trimmer (1)
- Pack of Trimmer Line (1)
- Oil (1)
- String Trimmer Operator's Manual (1)
- Engine Operator's Manual (1)

Assembly

NOTE: This string trimmer is shipped without gasoline or oil in the engine. Fill up the gasoline and oil as instructed in the Engine Operator's Manual BEFORE operating your machine.

Upper Handle

1. Remove the wing knob (a) and carriage bolt (b) from the left lower handle and the right lower handle. See Figure 3-1.
2. Pivot the upper handle into the operating position. See Figure 3-1.

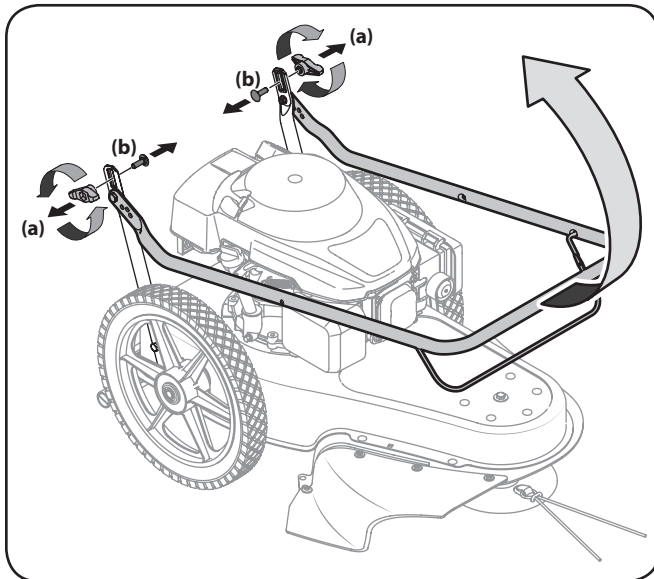


Figure 3-1

3. Move the upper handle into one of three positions by pivoting it forward or rearward. Secure the upper handle to the lower handle using the wing knobs (a) and carriage bolts (b) removed in Step 1. See Figure 3-2.

Note: Make sure to use the corresponding hole on the left side as on the right side of the upper handle.

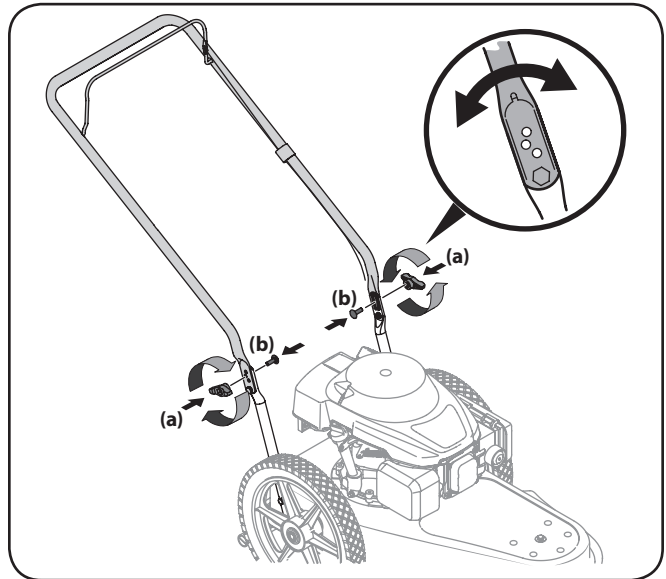


Figure 3-2

Starter Rope

1. Disconnect the spark plug boot from the spark plug (refer to the Engine Operator's Manual).
2. Pivot the control handle against the upper handle and pull the rope out of the engine.
3. Loop the rope through the eye bolt. See Figure 3-3.
4. Tighten the eye bolt to the handle using the lock nut. DO NOT overtighten.

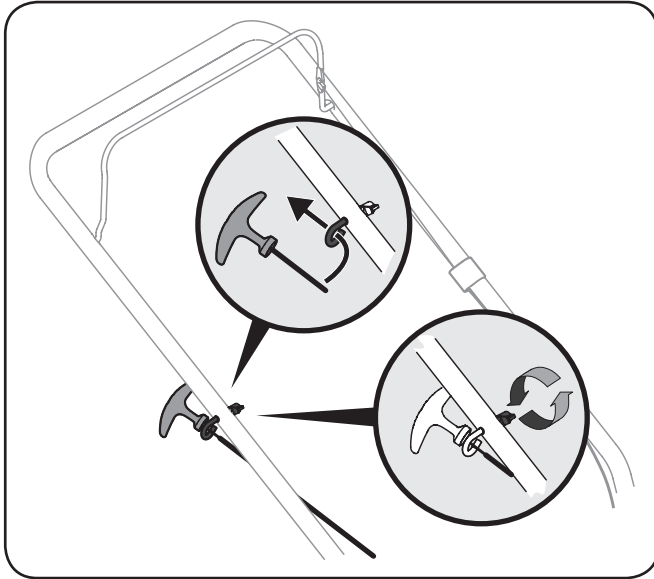


Figure 3-3

Set-Up

Gas and Oil Fill-Up

Refer to the Engine Operator's Manual for additional engine information.

1. Add oil provided before starting unit for the first time.
2. Service the engine with gasoline as instructed in the Engine Operator's Manual.



WARNING: Use extreme care when handling gasoline. Gasoline is extremely flammable and the vapors are explosive. Never fuel the machine indoors or while the engine is hot or running. Extinguish cigarettes, cigars, pipes and any other sources of ignition.

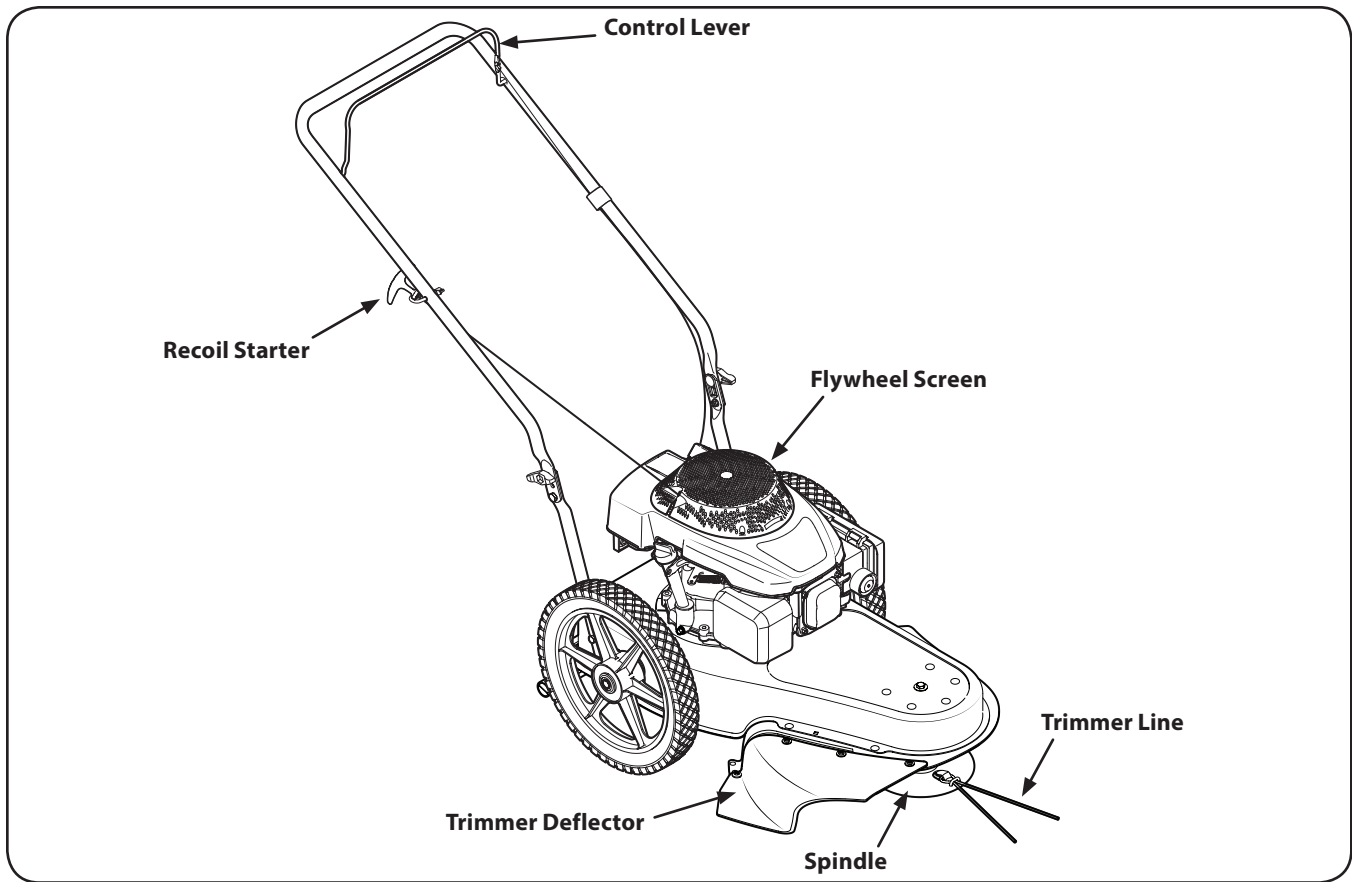


Figure 4-1

Recoil Starter

The recoil starter is attached to the right side of the upper handle. Stand behind the unit and pull the recoil starter rope to start the unit.

Trimmer Deflector

The trimmer deflector is connected to the trimmer base and it is used to prevent debris from being thrown.

Control Lever

The control lever must be depressed to start the engine and rotation of trimmer spindle assembly. Releasing the control lever stops the engine and trimmer spindle assembly.



WARNING: This control lever is a safety device. Never attempt to bypass its operations.

Spindle

The spindle rotates the trimmer line.

Trimmer Line

The trimmer line is attached to the spindle assembly and it is used to trim grass, vegetation, undergrowth and weeds.

Flywheel Screen

Keep the flywheel screen free of grass clippings and debris at all times.

Engine Controls

See the Engine Operator's Manual for the location and function of the controls on the engine.

Adjusting the Spindle Height

The spindle height can be adjusted for various applications. To do so, proceed as follows:

1. Loosen the wing nut found on each side of the spindle shaft.
Note: The wing nuts are designed so that they cannot be removed from the spindle shaft.
2. Slide the spindle upward or downward to the desired position before retightening the wing nuts. See Figure 5-1.

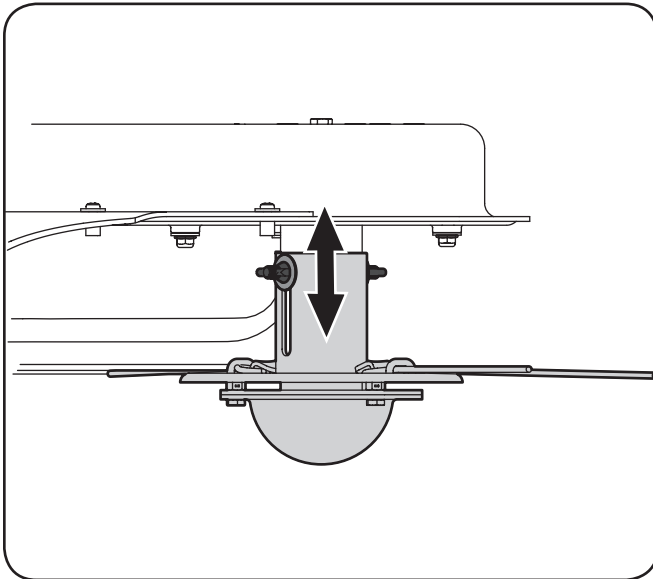


Figure 5-1

Starting and Stopping Engine

Refer to the Engine Operator's Manual packed with your string trimmer for instructions on starting and stopping the engine.

Using Your String Trimmer

Be sure trimming area is clear of stones, sticks, wire, or other objects which could damage the string trimmer or engine. Such objects could be accidentally thrown by the trimmer in any direction and cause serious personal injury to the operator and others.



WARNING: The operation of any string trimmer can result in foreign objects being thrown into the eyes, which can damage your eyes severely. Always wear safety glasses while operating the string trimmer, or while performing any adjustments or repairs on it.

- The string trimmer is designed with the spindle offset to the left side, allowing the operator to trim along a fence, landscaping, or a house to his or her's right side without having to make any adjustments to the machine.

- Operate the string trimmer at a slower walking speed when trimming tall, thick weeds or grass.
- Clean the underside of the trimmer after each use to remove any debris build up.



WARNING: Shut the engine off and wait until the trimmer head comes to a complete stop before cleaning the discharge area. The trimmer head continues to rotate for a few seconds after the trimmer head control is released.

- Do not trim on excessively steep slopes. If a slope is difficult to stand on, do not trim. Do not trim on slopes when the ground is slippery or wet. Trim across the face of a slope, not up and down.

CAUTION: While operating the string trimmer, do not allow the spindle to contact a concrete, asphalt, or gravel surface. Doing so will result in premature wear.

Changing the Trimmer Line

To ease in removing worn trimmer line, change the trimmer line before it becomes too short (i.e. approximately half its original length).

1. Remove the worn trimmer line from the spindle.
2. Fold the replacement trimmer line in half and insert both ends through the loop near the edge of the spindle.
3. Pull the ends of the trimmer line through the loop until the line is securely beneath the metal tab.
4. Cross the line ends and pull each tightly to secure the trimmer line in place. See Figure 5-2.

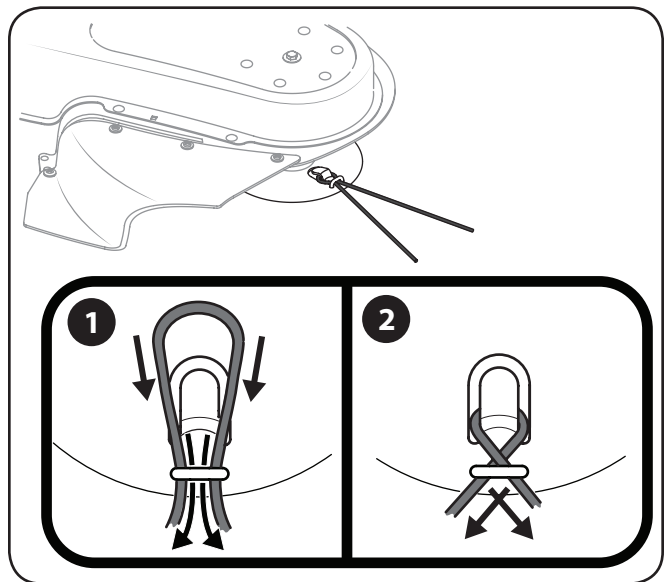


Figure 5-2

Note: Always use 490-040-M035 trimmer line. Refer to Replacement Parts on page 15 for information on ordering.

Maintenance

General Recommendations

- Always observe safety rules when performing any maintenance.
- The warranty on this string trimmer does not cover items that have been subjected to operator abuse or negligence. To receive full value from warranty, operator must maintain the string trimmer as instructed here.
- Changing of engine-governed speed will void engine warranty.
- All adjustments should be checked at least once each season.
- Periodically check all fasteners and make sure these are tight.



WARNING: Always stop engine, allow engine to cool, disconnect spark plug, and ground against engine before performing any type of maintenance on your machine.

Lubrication

1. Lubricate pivot points on the control lever at least once a season with light oil. This control must operate freely in both directions. See Figure 6-1.

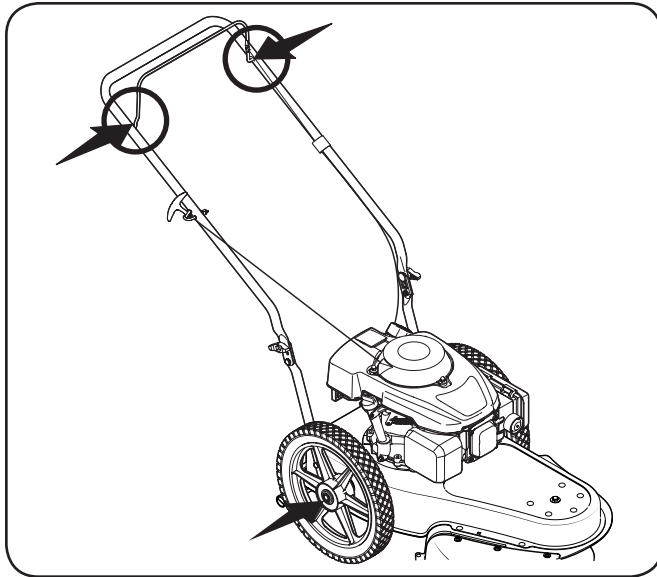


Figure 6-1

2. Lubricate the wheels at least once a season with light oil (or motor oil). If wheels are removed for any reason, lubricate surface of the axle bolt and inner surface of the wheel with light oil. See Figure 6-1.
3. Follow the Engine Operator's Manual for lubrication schedule and instruction for engine lubrication.

Deck Care

Clean underside of the machine after each use to prevent build-up of grass clippings or other debris.

1. Allow engine to run until it is out of fuel. Do not attempt to pour fuel from the engine. Disconnect spark plug wire.
2. Tip trimmer so that it rests on its side. Keep the side with the air cleaner facing up. Hold trimmer firmly.



WARNING: Never tip the trimmer more than 90° in any direction and do not leave the trimmer tipped for any length of time. Oil can drain into the upper part of the engine causing a starting problem.

3. Scrape and clean the underside of the machine with a suitable tool. Do not spray with water.

IMPORTANT: Do not use a pressure washer or garden hose to clean the machine. These may cause damage to the engine. The use of water will result in shortened life and reduce serviceability.

4. Put the trimmer back on its wheels on the ground.

Engine Care

A list of key engine maintenance jobs required for good performance by the trimmer is given below. Follow the accompanying engine manual for a detailed list and instructions.

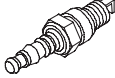
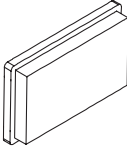



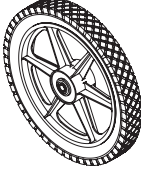
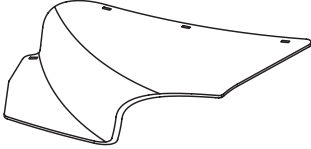
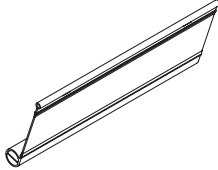

- Maintain oil level as instructed in Engine Operator's Manual.
- Service air cleaner every 25 hours under normal conditions. Clean every few hours under extremely dusty conditions. Poor engine performance and flooding usually indicates that the air cleaner should be serviced. To service the air cleaner, refer to the Engine Operator's Manual.
- Clean spark plug and reset the gap once a season. Spark plug replacement is recommended at the start of each mowing season. Check Engine Operator's Manual for correct plug type and gap specifications.
- Clean engine regularly with a cloth or brush. Keep the top of the engine clean to permit proper air circulation. Remove all grass, dirt and debris from muffler area.
- Engines stored between 30 and 90 days need to be treated with a gasoline stabilizer such as **STA-BIL**® to prevent deterioration and gum from forming in fuel system or on essential carburetor parts.

Off-Season Storage

Take the following steps to prepare your trimmer for storage. Refer to Engine Operator's Manual for specific engine storage instructions.

- Clean and lubricate trimmer.
- Store trimmer in a dry, clean area. Do not store next to corrosive materials, such as fertilizer.
- Using a light oil or silicone, coat the equipment, especially cables and all moving parts of your string trimmer.

Problem	Cause	Remedy
Engine fails to start	<ol style="list-style-type: none"> 1. Control lever disengaged. 2. Spark plug boot disconnected. 3. Fuel tank empty or stale fuel. 4. Engine not primed (if equipped with primer). 5. Faulty spark plug. 6. Blocked fuel line. 7. Engine flooded. 8. Fuel valve (if equipped) closed. 9. Engine not choked (if equipped with choke). 	<ol style="list-style-type: none"> 1. Engage control lever. 2. Connect wire to spark boot. 3. Fill tank with clean, fresh gasoline. 4. Prime engine as instructed in the Operation section. 5. Clean, adjust gap, or replace. 6. Clean fuel line. 7. Wait a few minutes to restart, but do not prime. 8. Open fuel valve. See Engine Operator's Manual. 9. Choke engine. See Engine Operator's Manual.
Engine runs erratic	<ol style="list-style-type: none"> 1. Spark plug boot loose. 2. Blocked fuel line or stale fuel. 3. Vent in gas cap plugged. 4. Water or dirt in fuel system. 5. Dirty air cleaner. 6. Unit running with CHOKE (if equipped) applied. 	<ol style="list-style-type: none"> 1. Connect and tighten spark plug boot. 2. Clean fuel line; fill tank with clean, fresh gasoline. 3. Clear vent. 4. Drain fuel tank. Refill with fresh fuel. 5. Refer to Engine Operator's Manual. 6. Push CHOKE knob in.
Engine overheats	<ol style="list-style-type: none"> 1. Engine oil level low. 2. Air flow restricted. 	<ol style="list-style-type: none"> 1. Fill crankcase with proper oil. 2. Clean area around and on top of engine.
Occasional skips (hesitates) at high speed	<ol style="list-style-type: none"> 1. Spark plug gap too close. 	<ol style="list-style-type: none"> 1. Adjust gap to .030".
Idles poorly	<ol style="list-style-type: none"> 1. Spark plug fouled, faulty, or gap too wide. 2. Dirty air cleaner. 	<ol style="list-style-type: none"> 1. Reset gap to .030" or replace spark plug. 2. Refer to Engine Operator's Manual.
Excessive vibration	<ol style="list-style-type: none"> 1. Spindle wing nuts loose. 2. Spindle damaged. 	<ol style="list-style-type: none"> 1. Tighten wing nuts. 2. See an authorized service dealer.
Poor trimming performance	<ol style="list-style-type: none"> 1. Trimmer line too short or worn. 2. Worn or damaged spindle belt. 	<ol style="list-style-type: none"> 1. Replace trimmer line. 2. Replace spindle belt.

Component	Part Number and Description
	951-14437 Spark Plug
	951-10298 Air Cleaner Kit
	951-14407 Fuel Cap Assembly
	951-10358A Fuel Filter
	946-05141 Control Cable, 40"
	734-04030 Wheel
	731-2315 Deflector Flap
	731-2329 Trail Shield
	490-040-M035 .155" Trimmer Line (Ten-pack)

Contact your Cub Cadet dealer to order replacement parts or a complete Parts Manual (have your full model number and serial number ready). Parts Manual downloads are also available free of charge at www.cubcadet.com.

CUB CADET LLC

MANUFACTURER'S LIMITED WARRANTY FOR EDGERS, STRING TRIMMERS & TILLERS

The limited warranty set forth below is given by Cub Cadet LLC with respect to new merchandise purchased and used in the United States, its possessions and territories, and by MTD Products Limited with respect to new merchandise purchased and used in Canada and/or its territories and possessions.

This warranty is in addition to any applicable emissions warranty provided with your product.

"Cub Cadet" warrants this product (excluding its *Normal Wear Parts* as described below) against defects in material and workmanship for a period of three (3) years commencing on the date of original purchase and will, at its option, repair or replace, free of charge, any part found to be defective in materials or workmanship. This limited warranty shall only apply if this product has been operated and maintained in accordance with the Operator's Manual furnished with the product, and has not been subject to misuse, abuse, commercial use, neglect, accident, improper maintenance, alteration, vandalism, theft, fire, water, or damage because of other peril or natural disaster. Damage resulting from the installation or use of any part, accessory or attachment not approved by Cub Cadet for use with the product(s) covered by this manual will void your warranty as to any resulting damage.

Normal Wear Parts are warranted to be free from defects in material and workmanship for a period of thirty (30) days from the date of purchase. Normal wear parts include, but are not limited to items such as: batteries, belts, blades, tines, wheels and tires.

HOW TO OBTAIN SERVICE: Warranty service is available, WITH PROOF OF PURCHASE, through your local authorized service dealer. To locate the dealer in your area:

In the U.S.A.

To locate the dealer in your area, check your Yellow Pages, or contact Cub Cadet LLC at P.O. Box 361131, Cleveland, Ohio 44136-0019, or call 1-877-282-8684, or log on to our Web site at www.cubcadet.com.

In Canada

Contact MTD Products Limited, Kitchener, ON N2G 4J1, or call 1-800-668-1238 or log on to our Web site at www.mtdcanada.com.

This limited warranty does **not** provide coverage in the following cases:

- a. The engine or component parts thereof. These items may carry a separate manufacturer's warranty. Refer to applicable manufacturer's warranty for terms and conditions.
- b. Routine maintenance items such as lubricants, filters, blade sharpening, tune-ups, brake adjustments, clutch adjustments, deck adjustments, and normal deterioration of the exterior finish due to use or exposure.

- c. Cub Cadet does not extend any warranty for products sold or exported outside of the United States and/or Canada, and their respective possessions and territories, except those sold through Cub Cadet's authorized channels of export distribution.
- d. Replacement parts that are not genuine Cub Cadet parts.
- e. Service completed by someone other than an authorized service dealer.
- f. Transportation charges and service calls.
- g. Cub Cadet does not warrant this product for commercial use.

No implied warranty, including any implied warranty of merchantability of fitness for a particular purpose, applies after the applicable period of express written warranty above as to the parts as identified. No other express warranty, whether written or oral, except as mentioned above, given by any person or entity, including a dealer or retailer, with respect to any product, shall bind Cub Cadet. During the period of the warranty, the exclusive remedy is repair or replacement of the product as set forth above.

The provisions as set forth in this warranty provide the sole and exclusive remedy arising from the sale. Cub Cadet shall not be liable for incidental or consequential loss or damage including, without limitation, expenses incurred for substitute or replacement lawn care services or for rental expenses to temporarily replace a warranted product.

Some states do not allow the exclusion or limitation of incidental or consequential damages, or limitations on how long an implied warranty lasts, so the above exclusions or limitations may not apply to you.

In no event shall recovery of any kind be greater than the amount of the purchase price of the product sold. **Alteration of safety features of the product shall void this warranty.** You assume the risk and liability for loss, damage, or injury to you and your property and/or to others and their property arising out of the misuse or inability to use the product.

This limited warranty shall not extend to anyone other than the original purchaser or to the person for whom it was purchased as a gift.

HOW STATE LAW RELATES TO THIS WARRANTY: This limited warranty gives you specific legal rights, and you may also have other rights that vary in different jurisdictions.

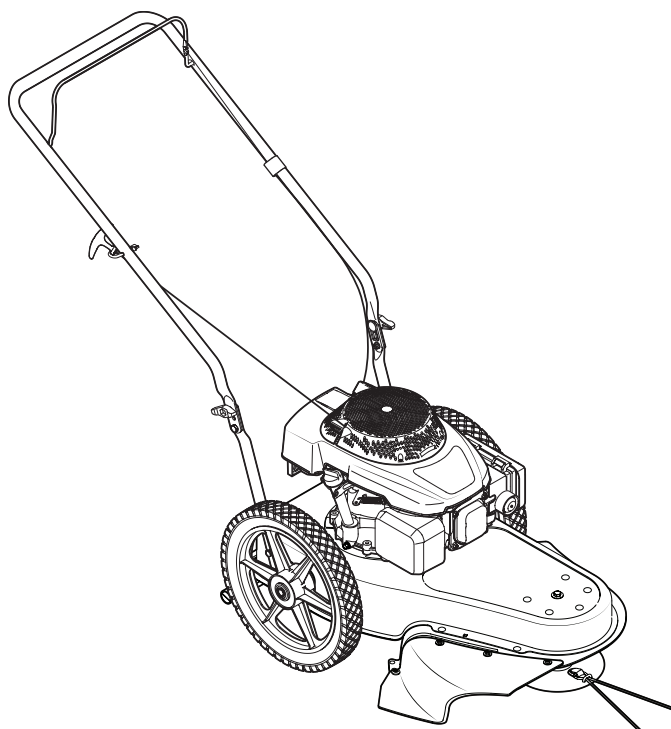
IMPORTANT: Owner must present Original Proof of Purchase to obtain warranty coverage.

**Cub Cadet LLC, P.O. BOX 361131 CLEVELAND, OHIO 44136-0019; Phone: 1-877-282-8684
MTD Canada Limited - KITCHENER, ON N2G 4J1; Phone 1-800-668-1238**

Medidas de seguridad • Configuración • Funcionamiento • Mantenimiento • Servicio
• Solución de problemas • Garantía

Cub Cadet[®]

MANUAL DEL OPERADOR



Orilladora de 22"- Modelo Serie 260

⚠ ADVERTENCIA

LEA Y OBSERVE TODAS LAS NORMAS E INSTRUCCIONES DE SEGURIDAD INCLUIDAS EN ESTE MANUAL ANTES DE PONER EN FUNCIONAMIENTO LA MÁQUINA. SI NO SIGUE ESTAS INSTRUCCIONES PUEDE PROVOCAR LESIONES PERSONALES.

CUB CADET LLC, P.O. BOX 361131 CLEVELAND, OHIO 44136-0019

Formulario No. 769-10089A
(21 de Agosto de 2015)

Gracias

Gracias por comprar una orilladora Cub Cadet. La misma ha sido cuidadosamente diseñada para brindar excelente rendimiento si se la opera y mantiene correctamente.

Por favor lea todo este manual antes de hacer funcionar el equipo. El manual le indica cómo configurar, operar y mantener la máquina con seguridad y fácilmente. Por favor asegúrese de que usted, y cualquier otra persona que haga funcionar la máquina, sigue atentamente y en todo momento las medidas de seguridad recomendadas. En caso de no hacerlo podrían producirse lesiones personales o daños materiales.

Toda la información contenida en este manual hace referencia a la más reciente información de producto disponible en el momento de la impresión. Revise el manual frecuentemente para familiarizarse con la máquina, sus características y funcionamiento. Por favor tenga en cuenta que este Manual del Operador puede cubrir una gama de especificaciones para productos de varios modelos. Es posible que las características y

funciones incluidas y/o ilustradas en este manual no se apliquen a todos los modelos.

Nos reservamos el derecho de modificar las especificaciones de los productos, diseños y equipos sin previo aviso y sin generar responsabilidad por obligaciones de ningún tipo.

Si corresponde, los datos de prueba utilizados para determinar la potencia de salida del motor equipado en esta máquina se pueden consultar en www.opei.org o en el sitio web del fabricante del motor.

Si tiene algún problema o duda respecto a la máquina, llame a su distribuidor Cub Cadet local o comuníquese directamente con nosotros. En esta página encontrará los números de teléfono, la dirección del sitio web y la dirección postal de la Atención al cliente de Cub Cadet. Queremos garantizar su entera satisfacción en todo momento.

En este manual, todas las referencias al lado *derecho* e *izquierdo* de la máquina se observan desde la posición del operador.

Índice

Importantes medidas de seguridad	3	Mantenimiento y Ajustes	13
Montaje y Configuración	9	Solución de problemas	14
Controles y Características	11	Repuestos	15
Operación	12	Garantía	Contratapa

Registro de información de producto

Antes de configurar y hacer funcionar su equipo nuevo, por favor localice la placa de modelo en el equipo y registre la información en el espacio de la derecha. Encontrará la placa de modelo parándose en la posición del operador y mirando sobre la parte posterior de la plataforma. Necesitará esta información si tiene que solicitar soporte técnico a través de nuestro sitio web, el Departamento de atención al cliente, o de un distribuidor local de servicio autorizado.

NÚMERO DE MODELO

--	--	--	--	--	--	--	--	--	--	--	--

NÚMERO DE SERIE

--	--	--	--	--	--	--	--	--	--	--	--

Servicio de Atención al Cliente

Por favor, NO devuelva la máquina al minorista o distribuidor sin ponerse en contacto primero con el Departamento de Atención al Cliente.

En caso de tener problemas para ensamblar este producto o de tener dudas con respecto a los controles, el funcionamiento o el mantenimiento de esta máquina, si desea pedir piezas/aditamentos/accesorios o si desea ver un video instructivo en línea; puede solicitar la ayuda de expertos. Debe tener a mano el número de modelo y el número de serie completos. Seleccione una de las opciones siguientes:

- ◇ Web: www.cubcadet.com/equipment/cubcadet/service-and-parts
- ◇ Teléfono: (800) 965-4CUB
- ◇ Correo: Cub Cadet LLC • P.O. Box 361131 • Cleveland, OH • 44136-0019



ADVERTENCIA: La presencia de este símbolo indica que se trata de instrucciones de seguridad importantes que se deben respetar para evitar poner en peligro su seguridad personal y/o material y la de otras personas. Lea y cumpla todas las instrucciones de este manual antes de intentar operar esta máquina. Si no respeta estas instrucciones puede provocar lesiones personales.

Cuando vea este símbolo. **¡TENGA EN CUENTA LAS ADVERTENCIAS!**

PROPOSICIÓN 65 DE CALIFORNIA



ADVERTENCIA: El escape del motor, algunos de los elementos del mismo y algunos componentes del vehículo contienen o liberan sustancias químicas que según el Estado de California pueden producir cáncer, defectos de nacimiento u otros problemas reproductivos.



ADVERTENCIA: Los postes, los bornes y los accesorios relacionados a la batería contienen plomo y compuestos de plomo, sustancias químicas que según lo establecido por el Estado de California causan cáncer y daños en el sistema reproductivo. *Lávese las manos después de estar en contacto con estos componentes.*



PELIGRO: Esta máquina está diseñada para ser utilizada respetando las normas de seguridad contenidas en este manual. Al igual que con cualquier tipo de equipo motorizado, un descuido o error por parte del operador puede producir lesiones graves. Esta máquina es capaz de amputar dedos, manos y pies y de arrojar objetos. De no respetar las instrucciones de seguridad siguientes se pueden ocasionar lesiones graves o la muerte.

Funcionamiento general

1. Lea con atención el contenido de este manual antes de intentar ensamblar la máquina. Lea, comprenda y siga todas las instrucciones que figuran en la máquina y en los manuales antes de hacerla funcionar. Guarde este manual en un lugar seguro para consultas futuras y periódicas, así como para solicitar repuestos.
2. Antes de hacer funcionar este equipo, familiarícese totalmente con los controles y el uso correcto del mismo.
3. Esta máquina es un equipo motorizado de precisión, no un juguete. Por lo tanto, tenga mucho cuidado en todo momento. Esta máquina fue diseñada para realizar una tarea: cortar el pasto y la vegetación. No la utilice para ningún otro fin.
4. No permita nunca que los niños menores de 14 años utilicen esta máquina. Los niños de 14 años en adelante deben leer y entender las instrucciones de funcionamiento y las normas de seguridad contenidas en este manual y en la máquina y deben ser entrenados y supervisados por un adulto.
5. Sólo se debe permitir usar esta máquina a individuos responsables y familiarizados con sus reglas de seguridad.
6. Inspeccione minuciosamente el área donde utilizará el equipo. Saque todas las piedras, palos, cables, huesos, juguetes y demás objetos extraños con los que podría tropezar o que podrían ser arrojados por la orilladora. Los objetos arrojados por la máquina pueden causar lesiones graves.
7. Planifique el patrón de recorte a seguir para evitar descargar el material en caminos, veredas, donde hay observadores, etc. Evite además descargar material contra las paredes u obstrucciones que podrían provocar que el material descargado rebote contra el operador.
8. Para ayudar a evitar lesiones por contacto con el hilo de recorte o un objeto arrojado, manténgase en la zona del operador detrás del manillar, y mantenga a los niños, observadores, ayudantes y mascotas apartados al menos 75 pies de la orilladora mientras está en funcionamiento. Detenga la máquina si alguien entra en el área.
9. Para protegerse los ojos utilice siempre anteojos o antiparras de seguridad mientras opera la máquina o mientras le hace ajustes o reparaciones. Los objetos arrojados que rebotan pueden causar lesiones graves en los ojos.
10. Utilice zapatos de trabajo resistentes, con suela fuerte, así como pantalones y camisas ajustados. Se recomienda vestir camisas y pantalones que cubren brazos y piernas y usar zapatos con puntera de acero. Nunca haga funcionar la máquina descalzo, con sandalias, zapatos resbalosos o livianos (por ej. de lona).

11. No coloque las manos ni los pies cerca ni debajo de las piezas giratorias. Manténgase alejado en todo momento del área de descarga ya que el husillo giratorio y los hilos de recorte pueden causar lesiones.
12. Nunca haga funcionar la orilladora sin tener colocados y funcionando los escudos, los protectores, la palanca de control y otros dispositivos de seguridad.
13. Nunca haga funcionar la orilladora si los dispositivos de seguridad están dañados. De lo contrario, pueden producirse lesiones personales.
14. Muchas lesiones ocurren como resultado de pasar la orilladora sobre los pies durante una caída luego de resbalar o tropezar. No se sostenga de la orilladora si se está cayendo, suelte el manillar inmediatamente.
15. Nunca tire de la orilladora hacia usted mientras camina. Si debe retroceder con la orilladora para evitar una pared u obstáculo, mire primero hacia abajo y atrás para no tropezar y luego siga estos pasos:
 - a. Retroceda de la orilladora hasta estirar completamente los brazos.
 - b. Asegúrese que tiene buen equilibrio y está bien parado.
 - c. Tire la orilladora lentamente hacia atrás, no más de la mitad de la distancia hacia usted.
 - d. Repita estos pasos tantas veces como sea necesario.
15. No haga funcionar la orilladora bajo los efectos del alcohol o las drogas.
16. No enganche el mecanismo autopropulsado en las máquinas equipadas mientras arranca el motor.
17. La palanca de control es un dispositivo de seguridad. Nunca intente anular su funcionamiento. De hacerlo, el dispositivo de seguridad dejaría de funcionar y el contacto con el hilo de recorte giratorio podría causar lesiones personales. La palanca de control debe funcionar bien en ambas direcciones y regresar automáticamente a la posición de desenganche al soltarla.
18. Nunca haga funcionar la orilladora sobre el pasto húmedo. Asegúrese siempre de estar bien parado. Si resbala y cae puede lesionarse seriamente. Si siente que pierde el equilibrio, suelte inmediatamente la palanca de control y el husillo dejará de rotar en tres segundos.
19. Úsela solamente con luz natural o con buena luz artificial. Camine, nunca corra.
20. Detenga el husillo al cruzar sendas, senderos o caminos de grava.
21. Si la máquina comenzara a vibrar de manera anormal, detenga el motor, y busque inmediatamente la causa. La vibración generalmente advierte que hay algún problema.
22. Apague el motor y espere hasta que el husillo se detenga totalmente antes de limpiar el área de descarga. El husillo continúa girando durante unos segundos después de soltar la palanca de control. No apoye nunca ninguna parte del cuerpo en el área del hilo de recorte hasta estar seguro de que el husillo se ha detenido.
23. Nunca haga funcionar la orilladora sin tener colocados y funcionando el escudo posterior, la cubierta de descarga, la palanca de control y otros dispositivos de seguridad. Nunca haga funcionar la orilladora si los dispositivos de seguridad están dañados. De lo contrario podrían producirse lesiones personales.
24. El silenciador y el motor se calientan y pueden causar quemaduras. No los toque.
25. Utilice solamente repuestos y accesorios manufacturados para esta máquina por el fabricante. De lo contrario podrían producirse lesiones personales.
26. Para encender el motor, tire lentamente del cordel hasta sentir resistencia, luego tire rápidamente. El repliegue rápido de la cuerda de arranque (tensión de retroceso) le jalará la mano y el brazo hacia el motor más rápido de lo que usted puede soltar. Puede llegar a causar huesos rotos, fracturas, hematomas y esguinces.
27. Si se presentan situaciones que no están previstas en este manual, tenga cuidado y use el sentido común. Comuníquese con Atención al cliente para solicitar ayuda o el nombre del distribuidor de servicio más cercano.

Funcionamiento en pendiente

Las pendientes son uno de los principales factores asociados a los accidentes por derrapes y caídas y pueden ocasionar lesiones graves. El funcionamiento en pendiente exige mayor precaución. Si no se siente seguro sobre una pendiente, no la recorte. Para su seguridad, use el indicador de pendientes que se adjunta a este manual para medir la pendiente antes de operar la máquina en una zona inclinada. Si la pendiente supera los 15°, no la recorte.

Haga lo siguiente:

1. Recorte en sentido transversal a la cara de la pendiente, nunca hacia arriba y abajo. Tenga mucho cuidado al cambiar de dirección en una pendiente.
2. Esté atento a los agujeros, raíces, rocas, objetos ocultos o montículos que puedan hacerlo resbalar o tropezar. El césped alto puede ocultar obstáculos.
3. Asegúrese siempre de estar bien parado. Si resbala y cae puede lesionarse seriamente. Si siente que pierde el equilibrio, suelte inmediatamente la palanca de control y el husillo dejará de rotar en tres (3) segundos.

No haga lo siguiente:

1. No recorte cerca de caídas, zanjas o terraplenes, puede perder el equilibrio.
2. No corte en pendientes mayores de 15° como ilustra el indicador de pendientes.
3. No recorte el césped mojado. Si no está firmemente parado, puede resbalarse.

Niños

Pueden ocurrir accidentes trágicos si el operador no está atento a la presencia de niños. Por lo general, los niños se sienten atraídos por la orilladora y su funcionamiento. No entienden los riesgos ni los peligros. Nunca suponga que los niños permanecerán en el lugar donde los vio por última vez.

1. Mantenga a los niños fuera del área de trabajo y bajo estricta vigilancia de un adulto responsable además del operador.
2. Esté alerta y apague la orilladora si un niño ingresa al área.
3. Antes de moverse hacia atrás y mientras lo esté haciendo, mire hacia atrás y cuide que no haya niños.
4. Tenga mucho cuidado al aproximarse a las esquinas ciegas, puertas, arbustos, árboles u otros objetos que puedan obstaculizarle la vista de un niño que pudiese correr hacia la orilladora.

5. Mantenga a los niños alejados de los motores en marcha o calientes. Pueden sufrir quemaduras con un silenciador caliente.
6. No permita nunca que los niños menores de 14 años utilicen esta máquina. Los niños de 14 años en adelante deben leer y entender las instrucciones y las normas de seguridad contenidas en este manual y en la máquina y deben ser entrenados y supervisados por un adulto.

Servicio

Manejo seguro de la gasolina:

1. Para evitar lesiones personales o daños materiales tenga mucho cuidado al manipular la gasolina. La gasolina es sumamente inflamable y sus vapores pueden causar explosiones. Se puede lesionar gravemente si se derrama gasolina sobre el cuerpo o la ropa ya que se puede prender fuego. Lávese la piel y cámbiese de ropa de inmediato.
2. Utilice sólo los recipientes para gasolina autorizados.
3. Nunca llene los recipientes dentro de un vehículo o un camión o un remolque con recubrimiento plástico. Coloque siempre los recipientes en el piso y lejos del vehículo antes de llenarlo.
4. Retire el equipo a gasolina del camión o remolque y llénelo en el piso. Si esto no es posible, llene el equipo en un remolque con un recipiente portátil, en vez de hacerlo desde una boquilla dispensadora de gasolina.
5. En todo momento mantenga la boquilla en contacto con el borde del depósito de combustible o con la abertura del recipiente, hasta terminar la carga. No utilice un dispositivo de apertura/cierre de la boquilla.
6. Apague los cigarrillos, puros, pipas y toda otra fuente.
7. Nunca cargue combustible en la máquina en espacios cerrados porque los vapores inflamables podrían acumularse en el lugar.
8. Nunca saque el tapón de la gasolina ni agregue combustible mientras el motor está caliente o en marcha. Deje que el motor se enfríe por lo menos dos minutos antes de volver a cargar combustible.
9. Nunca llene en exceso el depósito de combustible. Llene el tanque a no más de 1 pulgada por debajo de la base del cuello del tapón de carga, para permitir la expansión del combustible.
10. Vuelva a colocar el tapón de combustible y ajústelo bien.
11. Limpie el combustible que se haya derramado sobre el motor y el equipo. Traslade la máquina a otra zona. Espere 5 minutos antes de encender el motor.
12. Nunca guarde la máquina o el recipiente de combustible cerca de una llama expuesta, chispas o aparatos con piloto como por ejemplo, calentadores de agua, calefactores, hornos, secadores de ropa u otros aparatos a gas.
13. Para reducir el riesgo de incendio, mantenga la máquina limpia de pasto, hojas y residuos acumulados. Limpie los derrames de aceite o combustible y saque todos los residuos embebidos en combustible.
14. Deje que la máquina se enfríe por lo menos 5 minutos antes de guardarla.

Servicio general:

1. Nunca encienda el motor en espacios cerrados o en una zona con poca ventilación. El escape del motor contiene monóxido de carbono, un gas inodoro y letal.

2. Antes de limpiar, reparar o inspeccionar la máquina, compruebe que el husillo y todas las partes móviles se hayan detenido. Desconecte el cable de la bujía y póngalo haciendo masa contra el motor para evitar que se encienda accidentalmente.
3. Revise el husillo y los pernos de montaje del motor a intervalos frecuentes para verificar que estén bien apretados. Además, haga inspecciones visuales del husillo para verificar si está dañado. Reemplace únicamente por repuestos de los fabricantes del equipo original (O.E.M.) listados en este manual. "El uso de repuestos que no cumplen con las especificaciones del equipo original puede resultar en rendimiento inadecuado y puede comprometer la seguridad."
4. Mantenga todos los pernos, tuercas y tornillos bien ajustados para asegurarse de que la máquina se encuentra en condiciones seguras de funcionamiento.
5. Nunca altere los dispositivos de seguridad. Controle periódicamente que funcionen correctamente.
6. Después de golpear algún objeto extraño, detenga el motor, desconecte el cable de la bujía y conéctelo a tierra con el motor. Inspeccione minuciosamente la orilladora para ver si está dañada. Repare el daño antes de encenderla y hacerla funcionar.
7. Los componentes de la orilladora, protectores y escudos están sujetos a desgaste y daños lo que podría dejar expuestas las piezas móviles o permitir que arroje objetos. Para proteger su seguridad, verifique frecuentemente todos los componentes y reemplácelos inmediatamente sólo por repuestos de los fabricantes del equipo original (O.E.M.) listados en este manual. "El uso de repuestos que no cumplen con las especificaciones del equipo original puede resultar en rendimiento inadecuado y puede comprometer la seguridad."
8. No cambie la configuración del regulador del motor ni acelere demasiado el motor. El regulador del motor controla la velocidad máxima de funcionamiento seguro del motor.
9. Verifique frecuentemente la línea de combustible, el depósito, el tapón, y los accesorios buscando rajaduras o pérdidas. Reemplace cuando sea necesario.
10. No dé arranque al motor si no está la bujía de encendido.
11. Mantenga o reemplace las etiquetas de seguridad y de instrucciones según sea necesario.
12. Observe las leyes y normas aplicables para la eliminación adecuada de residuos. La eliminación incorrecta de líquidos o materiales puede dañar el medio ambiente.
13. Según la Comisión de Seguridad de Productos para el Consumidor de los Estados Unidos (CPSC) y la Agencia de Protección Ambiental de los Estados Unidos (EPA), este producto tiene una vida útil media de siete (7) años ó 140 horas de funcionamiento. Al finalizar la *vida útil media* haga inspeccionar anualmente esta unidad por un distribuidor de servicio autorizado para cerciorarse de que todos los sistemas mecánicos y de seguridad funcionan correctamente y no están demasiado gastados. Si no lo hace, puede ocasionar accidentes, lesiones o la muerte.

No modifique el motor

Para evitar lesiones graves o la muerte, no modifique el motor de ninguna manera. Si altera la configuración del regulador, el motor se puede desbocar y funcionar a velocidades que no son seguras. Nunca cambie la configuración de fábrica del regulador del motor.

Aviso referido a emisiones

Los motores que están certificados y cumplen con las normas sobre emisiones federales EPA y de California para SORE (Equipos pequeños todo terreno) están certificados para funcionar con gasolina sin plomo común y pueden incluir los siguientes sistemas de control de emisiones: Modificación de motor (EM), catalizador oxidante (OC), inyección de aire secundaria (SAI) y catalizador de tres vías (TWC) si están instalados.

Amortiguador de chispas












ADVERTENCIA: Esta máquina está equipada con un motor de combustión interna y no debe ser utilizada en o cerca de un terreno agreste cubierto por bosque, malezas o hierba excepto que el sistema de escape del motor esté equipado con un amortiguador de chispas que cumpla con las leyes locales o estatales correspondientes (en caso de existir).

Si se utiliza un amortiguador de chispas el operador lo debe mantener en condiciones de uso adecuadas. En el Estado de California las medidas anteriormente mencionadas son exigidas por ley (Artículo 4442 del Código de Recursos Públicos de California). Es posible que existan leyes similares en otros estados. Las leyes federales se aplican en los territorios federales. Puede conseguir el amortiguador de chispas para el silenciador a través de su distribuidor de mantenimiento de motores autorizado más cercano o poniéndose en contacto con el departamento de servicios, P.O. Box 361131 Cleveland, Ohio 44136-0019.

Símbolos de seguridad

En esta página se presentan y describen los símbolos de seguridad que en este producto puede tener. Lea, entienda y siga todas las instrucciones incluidas en la máquina antes de intentar armarla y hacerla funcionar.

Símbolo	Descripción
	LEA LOS MANUALES DEL OPERADOR Lea, entienda y siga todas las instrucciones incluidas en los manuales antes de intentar armar la máquina y hacerla funcionar.
	PROTECCIÓN OCULAR Use siempre anteojos o antiparras de seguridad cuando hace funcionar esta máquina.
	PELIGRO — OBSERVADORES No debe recortar cuando hay niños u otras personas alrededor.
	PELIGRO — CORTE DE MANOS/PIES Mantenga las manos y los pies alejados de las piezas giratorias.
	PELIGRO — ARROJA DESECHOS Retire los objetos que puedan ser arrojados por la máquina en cualquier dirección. Use gafas de seguridad.
	PELIGRO — PENDIENTES Tenga más precaución en las pendientes. No pade las pendientes que superen los 15°.
	ADVERTENCIA — LA GASOLINA ES INFLAMABLE Deje que el motor se enfríe por lo menos dos minutos antes de volver a cargar combustible.
	ADVERTENCIA — MONÓXIDO DE CARBONO Nunca encienda el motor en espacios cerrados o en una zona con poca ventilación. El escape del motor contiene monóxido de carbono, un gas inodoro y letal.
	ADVERTENCIA — SUPERFICIE CALIENTE Las piezas del motor, especialmente el silenciador, se recalientan durante la operación. Deje que el motor y el silenciador se enfríen antes de tocarlos.



ADVERTENCIA: Su responsabilidad — Limite el uso de esta máquina motorizada a las personas que lean, comprendan y respeten las advertencias e instrucciones que figuran en este manual y en la máquina.

¡GUARDE ESTAS INSTRUCCIONES!

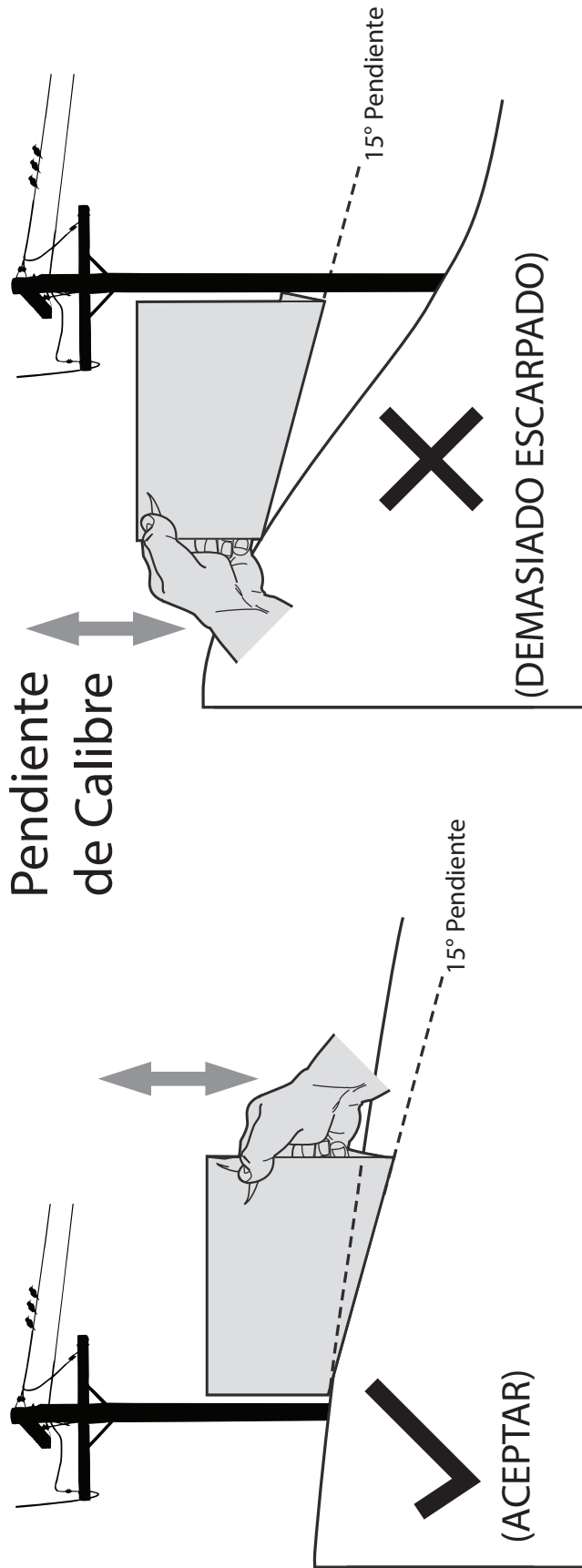


Figura 1

Figura 2

15° línea discontinua

Use el Medidor de pendientes para determinar si una pendiente es demasiado inclinada para una operación segura.

Para evaluar la pendiente, haga lo siguiente:

1. Corté la página del medidor de pendiente y doble a lo largo de la línea discontinua.
2. Localice un objeto vertical sobre o detrás de la pendiente (un poste, un edificio, una valla, un árbol, etc.)
3. Alinee cada lado del medidor de pendiente con el objeto vertical (consultar Figura 1 y Figura 2).
4. Ajuste el medidor de pendientes arriba o hacia abajo hasta que toque la esquina izquierda de la pendiente (consultar Figura 1 y Figura 2).
5. Si hay un espacio por debajo del medidor de pendientes, la pendiente es demasiado inclinada para una operación segura (consultar Figura 2).



¡ADVERTENCIA! Las pendientes son un factor importante relacionado con resbalones y caídas de accidentes que pueden producir lesiones graves o la muerte. Corte siempre en sentido transversal a las caras de la pendiente, nunca hacia arriba y abajo.

Contenido de la caja

- Una orilladora
- Una botella de aceite
- Un paquete de hilo de recorte
- Un Manual del operador de la orilladora
- Un Manual del operador del motor

Montaje

NOTA: Esta orilladora se despacha sin gasolina ni aceite en el motor. Llene con gasolina y aceite como se indica en el manual del motor que se acompaña ANTES de hacer funcionar la máquina.

Manillar superior

1. Extraiga las perillas de aletas y el perno de carro del manillar inferior izquierdo y el manillar inferior derecho. Consulte la Figura 3-1.
2. Gire el manillar superior a la posición de funcionamiento. Consulte la Figura 3-1.

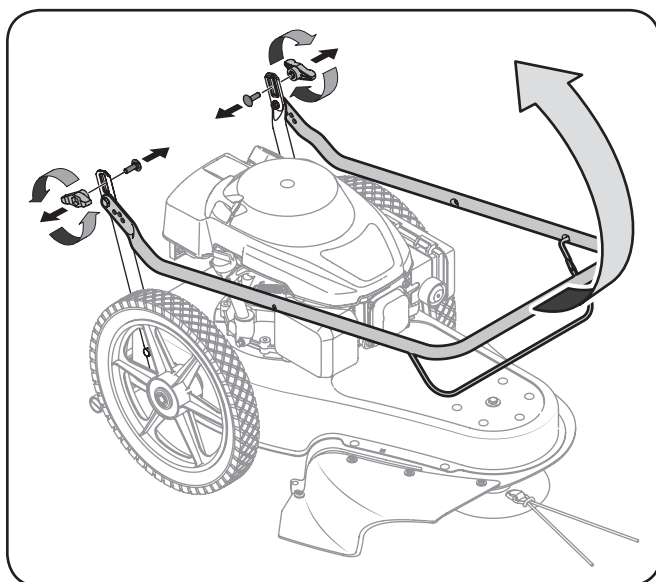


Figura 3-1

3. Coloque el manillar superior en una de las tres posiciones haciéndolo girar hacia adelante o hacia atrás. Sujete el manillar superior al inferior con los pernos de carro y las perillas de aletas extraídos en el paso 1. Consulte la Figura 3-2.

Nota: No olvide usar el orificio del lado izquierdo correspondiente al usado en el lado derecho del manillar superior.

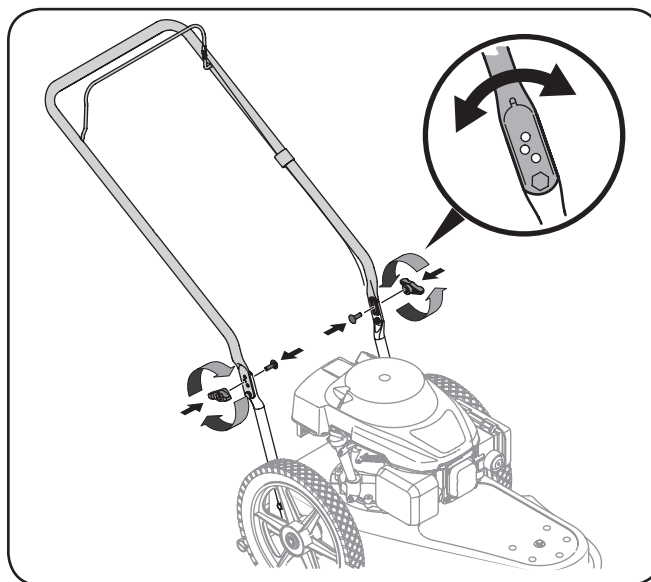


Figura 3-2

Cuerda de arranque

1. Desconecte el capuchón de la bujía de la bujía de encendido (consulte en el manual del motor).
2. Gire la manija de control contra el manillar superior y extraiga del motor la cuerda de arranque tirando de ella.
3. Enhebre la cuerda a través del perno de ojo. Consulte la Figura 3-3.
4. Ajuste el perno de ojo contra la manija con la tuerca de seguridad. NO ajuste demasiado.

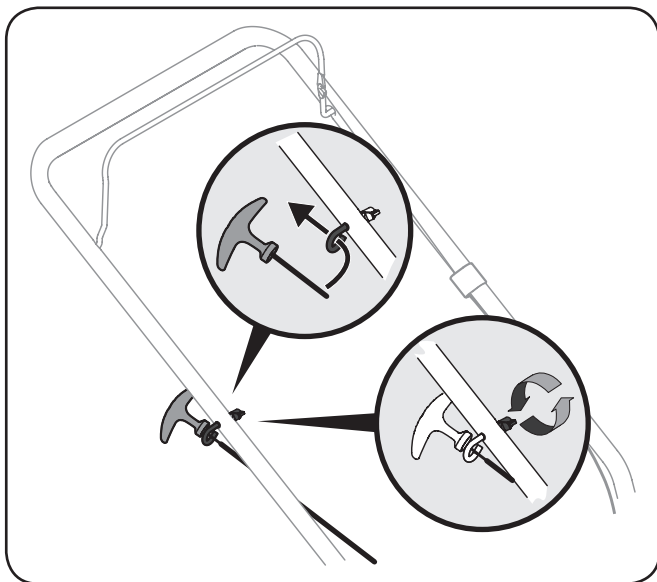


Figura 3-3

Configuración

Llenado de gasolina y aceite

Consulte en el manual del propietario del motor información adicional sobre el motor.

1. Agregue el aceite provisto antes de hacer arrancar la unidad por primera vez luego de desembalarla.
2. Realice el mantenimiento del motor con gasolina como se indica en el manual del propietario del motor.



ADVERTENCIA: Tenga mucho cuidado al trabajar con gasolina. La gasolina es sumamente inflamable y sus vapores pueden causar explosiones. Nunca agregue combustible a la máquina en espacios cerrados ni mientras el motor está caliente o funcionando. Apague cigarrillos, puros, pipas y otras fuentes de combustión.

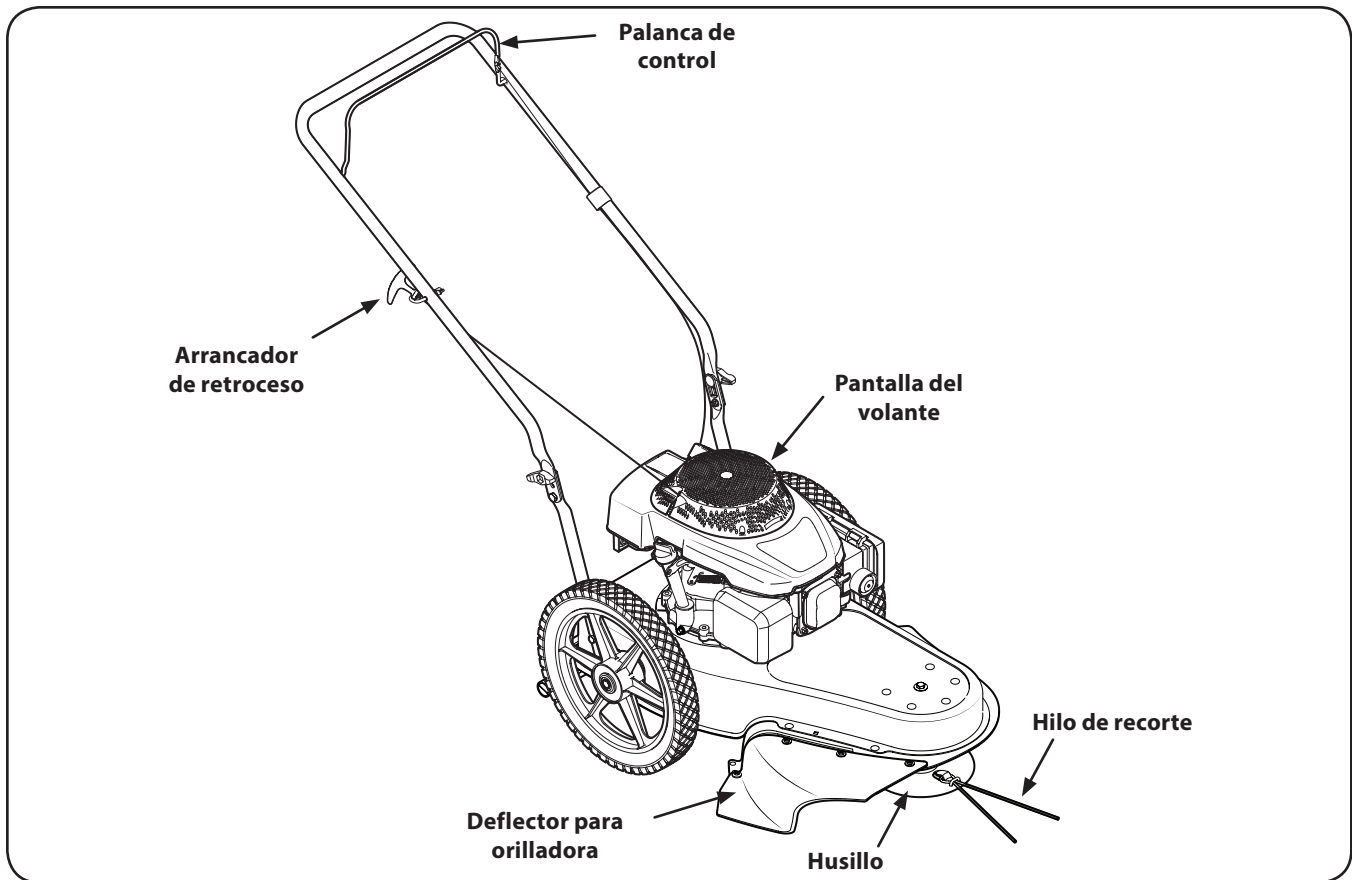


Figura 4-1

Arrancador de retroceso

El arrancador de retroceso está unido al lado derecho del manillar superior. Para arrancar la unidad colóquese detrás del mismo y tire del cordel del arrancador de retroceso.

Deflector para orilladora

El deflector para orilladora se acopla a la base de la orilladora y se usa para evitar que arroje los residuos.

Palanca de control

Hay que presionar la palanca de control para que el motor arranque y la unidad del husillo de la orilladora rote. Al soltar la palanca de control se detiene el motor y la unidad del husillo de la orilladora.



ADVERTENCIA: Esta palanca de control es un dispositivo de seguridad. Nunca intente anular su funcionamiento.

Husillo

El husillo hace girar el hilo de recorte.

Hilo de recorte

El hilo de recorte está acoplado a la unidad del husillo y se utiliza para recortar el césped, la vegetación, las malezas y las malas hierbas.

Pantalla del volante

Mantenga la pantalla del volante libre de pasto y residuos en todo momento.

Controles del motor

Para conocer la ubicación y el funcionamiento de los controles del motor, consulte el manual del motor que se entrega por separado.

Ajuste de la altura del husillo

La altura del husillo puede ajustarse para diferentes aplicaciones. Para ello, proceda de la siguiente manera:

1. Afloje las tuercas de mariposa a cada lado del eje del husillo.
Nota: Las tuercas de mariposa han sido diseñadas de forma que no se pueden retirar del eje del husillo.
2. Deslice el husillo hacia arriba o hacia abajo hasta la posición deseada antes de volver a apretar las tuercas de mariposa. Consulte la Figura 5-1.

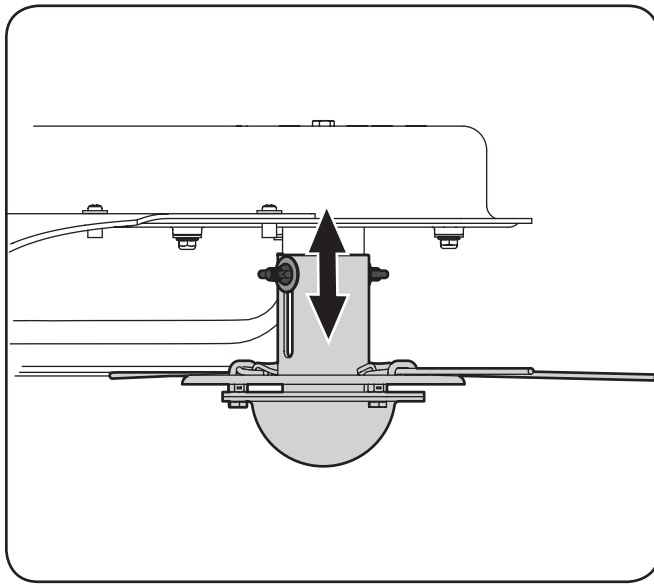


Figura 5-1

Arranque y detención del motor

Consulte el manual de funcionamiento del motor que acompaña a la orilladora para ver las instrucciones sobre cómo arrancar y detener el motor.

Uso de la orilladora

Asegúrese que el área a recortar está libre de piedras, palos, cables u otros objetos que pudiesen dañar la orilladora o el motor. La orilladora puede arrojar accidentalmente dichos objetos en cualquier dirección y provocar lesiones personales graves al operador y a terceros.



ADVERTENCIA: Cualquier orilladora en funcionamiento puede arrojar objetos extraños a los ojos, lo cual puede llegar a causar lesiones graves. Utilice siempre gafas de seguridad mientras opera la orilladora, o mientras le realiza ajustes o reparaciones.

- La orilladora ha sido diseñada con el husillo descentrado hacia la izquierda, lo que permite que el operador recorte contra un cerco, ornamento o edificación a su derecha sin necesidad de realizarle ajuste a la máquina.

- Haga funcionar la orilladora a una velocidad de paso lento al recortar malezas o pastos gruesos y altos.
- Después de cada uso, limpie la parte inferior de la orilladora para eliminar la acumulación de desechos.



ADVERTENCIA: Apague el motor y espere hasta que el cabezal de la orilladora se detenga totalmente antes de limpiar el área de descarga. El cabezal continúa rotando durante unos segundos más después de soltar el control del mismo.

- No recorte en pendientes excesivamente pronunciadas. Si es difícil pararse sobre la pendiente, no la recorte. No recorte en pendientes cuando el terreno está húmedo o resbaladizo. Recorte en sentido transversal a la cara de la pendiente, no hacia arriba y abajo.

PRECAUCIÓN: Mientras funciona la orilladora, no permita que el husillo toque una superficie de hormigón, asfalto o pedregullo. Esto ocasionará el desgaste prematuro.

Cambio del hilo de recorte

Para facilitar el cambio del hilo de recorte gastado, hágalo antes de que se vuelva demasiado corto (aproximadamente la mitad de su longitud original).

1. Retire el hilo usado del husillo.
2. Doble el hilo de recorte de repuesto por la mitad e inserte ambos extremos por el lazo cerca del borde del husillo.
3. Tire los extremos del hilo a través del lazo hasta que quede sujeto debajo de la pestaña metálica.
4. Cruce los extremos del hilo y tire fuerte para asegurar el hilo de recorte en su lugar. Consulte la Figura 5-2.

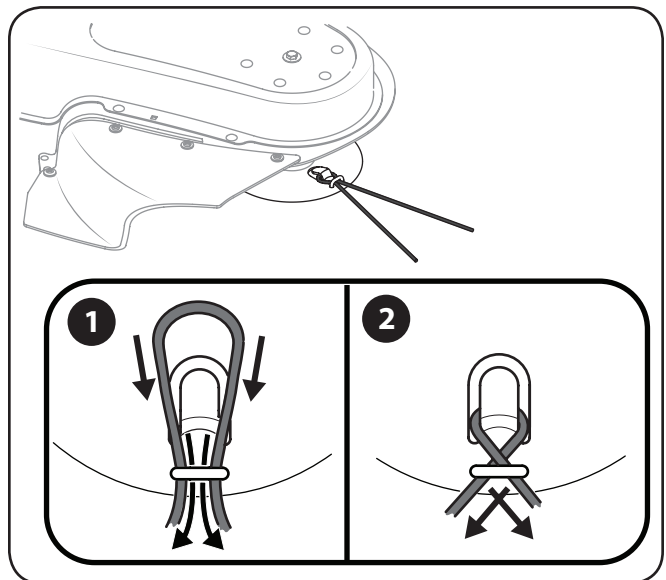


Figura 5-2

Nota: Use siempre hilo de recorte 490-040-M035. Consulte en la página 15 para ver cómo hacer el pedido.

Mantenimiento

Recomendaciones generales

- Respete siempre las reglas de seguridad al realizar tareas de mantenimiento.
- La garantía de esta orilladora no cubre elementos que han sido sujetos a uso indebido o negligencia del operador. Para recibir el valor total de la garantía, el operador debe mantener la orilladora como se indica en este manual.
- El cambio de la velocidad controlada del motor invalidará la garantía del motor.
- Todos los ajustes deben ser inspeccionados al menos una vez por temporada.
- Revise periódicamente todos los sujetadores y compruebe que estén bien ajustados.



ADVERTENCIA: Detenga siempre el motor, desconecte la bujía y haga masa contra el motor antes de realizar cualquier tarea de mantenimiento a su máquina.

Lubricación

1. Lubrique con aceite ligero los puntos de pivote de la palanca de control al menos una vez por temporada. El control debe funcionar libremente en ambas direcciones. Consulte la Figura 6-1.

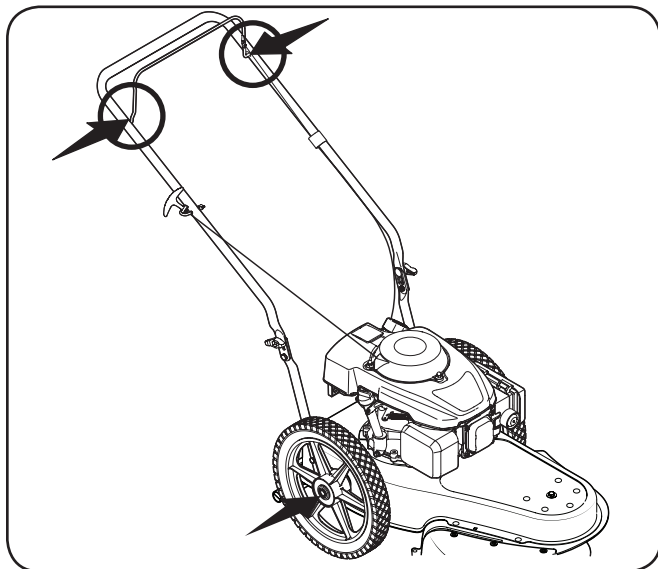


Figura 6-1

2. Lubrique las ruedas con aceite ligero o aceite para motor al menos una vez por temporada. Si las ruedas se quitan por cualquier motivo, debe lubricar con aceite ligero la superficie del perno del eje y de la cara interna de la rueda. Consulte la Figura 6-1.
3. Consulte el manual que acompaña al motor para ver el programa de lubricación del motor y sus instrucciones.

Cuidado de la plataforma

Debe limpiar la parte inferior de la máquina después de cada uso para prevenir la acumulación de recortes de césped u otros desechos.

Siga los pasos que aparecen a continuación.

1. Desconecte el cable de la bujía. Drene la gasolina de la orilladora o coloque un trozo de plástico debajo del tapón del combustible.
2. Incline la orilladora para que quede apoyada sobre el lateral. Mantenga hacia arriba el lateral donde se encuentra el filtro de aire. Sostenga firmemente la orilladora.



ADVERTENCIA: Nunca incline la orilladora más de 90° en ninguna dirección y no la deje inclinada. Se puede filtrar aceite dentro de la parte superior del motor y causar problemas de arranque.

3. Raspe y limpie la parte inferior de la máquina con una herramienta adecuada. No la rocíe con agua.

IMPORTANTE: No utilice una lavadora a presión o manguera de jardín para limpiar la máquina. Pueden dañar el motor. El uso de agua acortará la vida útil de la máquina y reducirá su capacidad de servicio.

4. Vuelva a colocar la podadora sobre sus ruedas en el suelo. Si puso un plástico debajo del tapón del combustible asegúrese de retirarlo en este momento.

Cuidados del motor

A continuación se presenta una lista de tareas de mantenimiento necesarias para el buen funcionamiento de la orilladora. Consulte el manual que acompaña al motor para ver una lista detallada e instrucciones.

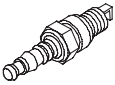
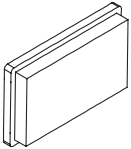
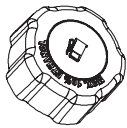


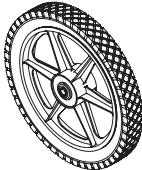
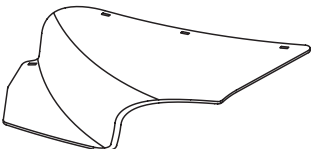
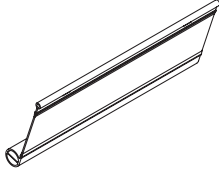

- Mantenga el nivel de aceite como se indica en el manual.
- Limpie el filtro de aire cada 25 horas en condiciones de uso normal. Limpie a intervalos de pocas horas cuando haya mucho polvo. El bajo rendimiento del motor y el ahogamiento normalmente son indicaciones de que el filtro de aire necesita mantenimiento. Para realizar el mantenimiento del filtro de aire, consulte el manual del motor.
- Limpie la bujía y restablezca la distancia disruptiva por lo menos una vez por temporada. Se recomienda reemplazar la bujía al comenzar cada temporada de corte de césped. Consulte el manual del motor para ver el tipo de bujía correcto y las especificaciones de la distancia disruptiva.
- Limpie periódicamente el motor con un trapo o cepillo. Mantenga limpia la parte superior del motor para permitir la circulación de aire apropiada. Quite todo el pasto, polvo y residuos del área del silenciador.
- Para almacenar motores entre 30 y 90 días es necesario tratarlos con un estabilizador de gasolina como el **STA-BIL**® para evitar deterioros y la formación de depósitos de goma en el sistema de combustible o en componentes fundamentales del carburador.

Almacenamiento fuera de temporada

Siga los pasos siguientes para preparar la orilladora para almacenarla. Consulte el manual del motor para ver las instrucciones de almacenamiento específicas para el motor.

- Limpie y lubrique la orilladora.
- Almacene la orilladora en un lugar limpio y seco. No la almacene cerca de productos corrosivos como por ejemplo fertilizantes.
- Use aceite ligero o silicona para recubrir el equipo, especialmente los cables y partes móviles de su orilladora.

Problema	Causa	Solución
El motor no arranca	<ol style="list-style-type: none"> 1. La palanca de control está desenganchada. 2. Se ha desconectado el capuchón de la bujía. 3. El depósito de combustible está vacío o el combustible se ha echado a perder. 4. El motor no está cebado (si está equipado con cebador). 5. La bujía no funciona correctamente. 6. La línea del combustible está bloqueada. 7. El motor está ahogado. 8. La válvula de combustible (si está instalada) está cerrada. 9. El motor no está cebado (si está equipado con cebador). 	<ol style="list-style-type: none"> 1. Palanca de control del motor. 2. Conecte el cable al capuchón de la bujía. 3. Llene el tanque con gasolina limpia y nueva. 4. Ceba el motor tal como se explicó en la sección Funcionamiento. 5. Límpiela, ajuste la separación, o cambie la bujía. 6. Limpie la línea del combustible. 7. Espere unos minutos para volver a arrancar, pero sin cebar. 8. Abra la válvula de combustible. Consulte el manual del motor. 9. Ceba el motor. Consulte el manual del motor.
El funcionamiento del motor es irregular	<ol style="list-style-type: none"> 1. El capuchón de la bujía está flojo. 2. La línea de combustible está tapada. 3. La ventilación del tapón de combustible está obstruida. 4. Hay agua o suciedad en el sistema de combustible. 5. El depurador de aire está sucio. 6. La unidad está funcionando con el CEBADOR aplicado (si está equipado). 	<ol style="list-style-type: none"> 1. Conecte y ajuste el capuchón de la bujía. 2. Limpie la línea de combustible; llene el tanque con gasolina limpia y fresca. 3. Destape la ventilación. 4. Vacíe el tanque de combustible. Vuelva a llenar con combustible nuevo. 5. Consulte el manual del motor. 6. Presione la perilla del CEBADOR.
El motor recalienta	<ol style="list-style-type: none"> 1. El nivel de aceite del motor está bajo. 2. Restricción en el flujo de aire. 	<ol style="list-style-type: none"> 1. Llene el cárter con el aceite adecuado. 2. Limpie el área de alrededor y la parte superior del motor.
Salto ocasionales (titubea) a alta velocidad	<ol style="list-style-type: none"> 1. La separación de la bujía es muy pequeña. 	<ol style="list-style-type: none"> 1. Ajuste la separación a 0,030".
No ralentiza bien	<ol style="list-style-type: none"> 1. Bujía sucia, averiada o con exceso de separación. 2. El depurador de aire está sucio. 	<ol style="list-style-type: none"> 1. Reajuste la separación a 0,030" o reemplace la bujía. 2. Consulte el manual del motor.
Demasiada vibración	<ol style="list-style-type: none"> 1. Las tuercas de mariposa del husillo están flojas. 2. El husillo está dañado. 	<ol style="list-style-type: none"> 1. Ajuste las tuercas de mariposa. 2. Consulte a un distribuidor de servicio autorizado.
Bajo rendimiento de recorte	<ol style="list-style-type: none"> 1. El hilo de recorte es demasiado corto o está gastado. 2. La correa del husillo esta gastada o dañada. 	<ol style="list-style-type: none"> 1. Reemplace el hilo de recorte. 2. Cambie la correa del husillo.

Componente	Número de pieza y Descripción
	951-14437 Bujía de encendido
	951-10298 Unidad depuradora de aire
	951-14407 Conjunto del tapón de combustible
	951-10358A Filtro de combustible
	946-05141 Cable de control, 40"
	734-04030 Rueda
	731-2315 Alerón deflector
	731-2329 Escudo posterior
	490-040-M035 Hilo de recorte de 0,155" (paquete de 10)

Comuníquese con su distribuidor Cub Cadet para solicitar repuestos o un Manual de Repuestos completo (tenga a mano el número de modelo y número de serie completo). En www.cubcadet.com también podrá descargar el Manual de Repuestos sin cargo alguno.

GARANTÍA LIMITADA DE CUB CADET LLC PARA BORDEADORA DE CÉSPED, CONTEMPORIZADOR DE CUERDA Y CULTIVADORA DE DIENTES TRASEROS

La siguiente garantía limitada es otorgada por Cub Cadet LLC con respecto a nuevos productos adquiridos y utilizados en Estados Unidos, sus posesiones territorios, y por MTD Products Limited con respecto a nuevos productos adquiridos y utilizados en Canadá y/o sus territorios y posesiones.

Esta garantía es adicional a la garantía de emisiones aplicables proporcionada con el producto.

“Cub Cadet” garantiza este producto (excluidas *las Piezas con Desgaste Normal* según se describe más abajo) contra defectos en los materiales y mano de obra por un período de tres (3) años a partir de la fecha de compra original y, a su opción, reparará o reemplazará, sin costo alguno, cualquier pieza que presente defectos en los materiales o de mano de obra. Esta garantía limitada sólo se aplicará si el producto ha sido operado y mantenido de acuerdo con las instrucciones del Manual del Operador que se proporciona con el producto y no ha sido objeto de uso inapropiado, abuso, uso comercial, abandono, accidente, mantenimiento incorrecto, alteración, vandalismo, robo, incendio, inundación o algún daño debido a otro peligro o desastre natural. El daño resultante de la instalación o el uso de piezas, accesorios o complementos no aprobados por Cub Cadet para su uso con el o los productos incluido(s) en este manual anulará la garantía en lo que respecta a esos daños.

Se garantiza que *las Piezas con Desgaste Normal* están libres de defectos en los materiales y mano de obra por un periodo de treinta (30) días a partir de la fecha de compra. Las piezas sujetas a desgaste normal incluyen pero no se limitan a: baterías, correas, cuchillas, bolsas para la recolección de residuos, ruedas y neumáticos.

CÓMO SOLICITAR Y OBTENER SERVICIO TÉCNICO: El servicio de la garantía está disponible, CON COMPROBANTE DE COMPRA, a través de su distribuidor de servicio autorizado local. Para localizar al distribuidor de su zona:

En Estados Unidos de América

Para localizar al distribuidor de su zona, consulte las páginas amarillas, o póngase en contacto con Cub Cadet LLC en P.O. Box 361131, Cleveland, Ohio 44136-0019, llame al 1-877-282-8684, o visite nuestro sitio web en www.cubcadet.com.

En Canadá

Póngase en contacto con MTD Products Limited, Kitchener, ON N2G 4J1, llame al 1-800-668-1238 o visite nuestro sitio web en www.mtdcanada.com.

Esta garantía limitada **no** suministra cobertura en los siguientes casos:

- El motor o las piezas que lo componen. Estos productos pueden tener garantía del fabricante por separado. Consulte los términos y condiciones de la garantía aplicable del fabricante.
- Las bombas rompetroncos, válvulas y cilindros tienen una garantía separada de un año.
- Los artículos necesarios para el mantenimiento de rutina como por ejemplo lubricantes, filtros, afiladores de cuchillas, sincronización del motor, los ajustes de los frenos, del embrague o de la plataforma y el deterioro normal del acabado exterior debido al uso o exposición.

- Cub Cadet no extiende ninguna garantía para los productos vendidos o exportados fuera de los Estados Unidos de América y/o Canadá, y sus respectivas posesiones y territorios, excepto para aquellos vendidos a través de los canales autorizados de distribución de exportaciones de Cub Cadet.
- Piezas de reemplazo que no son piezas originales de Cub Cadet.
- Mantenimiento no realizado por el distribuidor de servicio autorizado.
- Gastos de transporte y visitas técnicas.
- Cub Cadet no garantiza este producto para uso comercial.

No existe ninguna garantía implícita, incluyendo cualquier garantía implícita de comerciabilidad o adaptabilidad para un propósito en particular, una vez transcurrido el período aplicable de garantía escrita según lo antedicho en relación con las piezas identificadas. Ninguna otra garantía expresa, oral o escrita, excepto la mencionada anteriormente, extendida por personas o personas jurídicas, incluidos los distribuidores o los minoristas con respecto a los productos, obligará a Cub Cadet. Durante el plazo de la garantía el único recurso es la reparación o reemplazo del producto como se indicó anteriormente.

Las disposiciones de esta garantía cubren el recurso de reparación única y exclusiva que surge de la venta. Cub Cadet no será responsable de las pérdidas o los daños incidentales o resultantes, incluyendo sin limitación, los gastos incurridos para los servicios de mantenimiento del pasto, o los gastos de arrendamiento para reemplazar de manera transitoria un producto bajo garantía.

Algunos estados no permiten la exclusión o limitación de los daños y perjuicios incidentales o directos, o las limitaciones sobre la duración de las garantías implícitas, por lo que las exclusiones o limitaciones mencionadas anteriormente pueden no serle de aplicación.

En ningún caso se obtendrá una compensación de ningún tipo por un monto mayor al precio de compra del producto vendido. **La modificación de las características de seguridad del producto anulará esta garantía.** Usted asume el riesgo y la responsabilidad de las pérdidas, daños o lesiones que sufran usted y sus bienes y / o otras personas y sus bienes como resultado del uso incorrecto o de la falta de capacidad para usar este producto.

Esta garantía limitada cubre solamente al comprador original, o a la persona que recibió el producto de regalo.

CÓMO SE RELACIONA LA LEGISLACIÓN ESTATAL CON ESTA

GARANTÍA: Esta garantía limitada le otorga derechos legales específicos y usted también puede tener otros derechos que varían de una jurisdicción a otra.

IMPORTANTE: El propietario debe presentar comprobante de compra original para obtener la cobertura de la garantía.

**Cub Cadet LLC, P.O. BOX 361131 CLEVELAND, OHIO 44136-0019; Teléfono: 1-877-282-8684
MTD Canada Limited - KITCHENER, ON N2G 4J1; teléfono 1-800-668-1238**