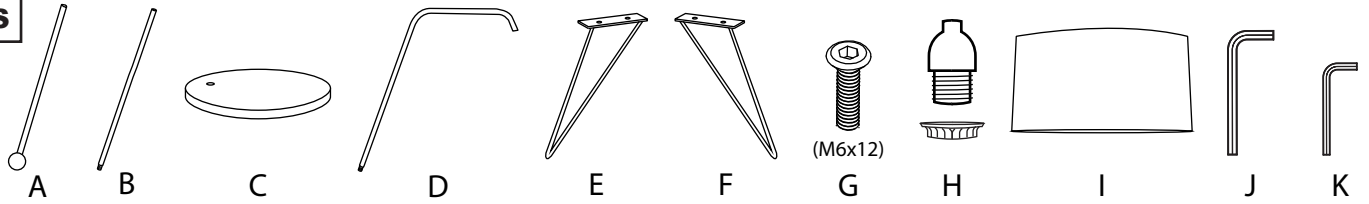


# Stork Floor Lamp

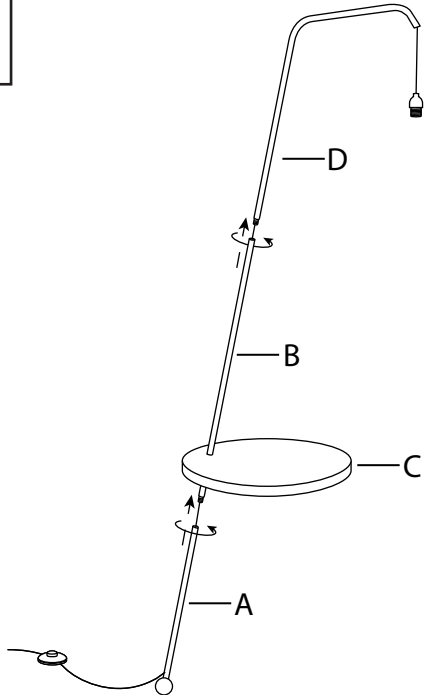
Part # LS-STORK XX

17-0602

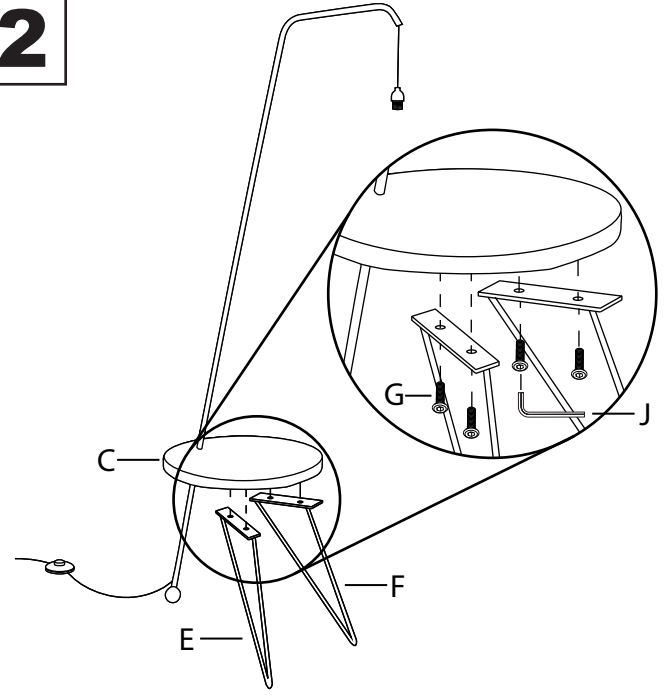
**PARTS**



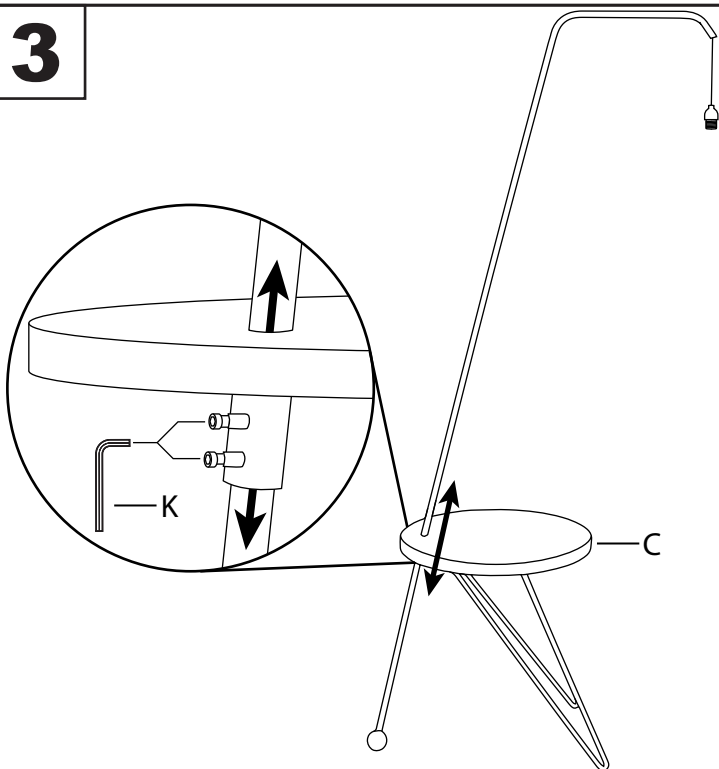
**1**



**2**



**3**



**4**

