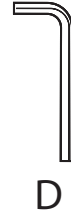
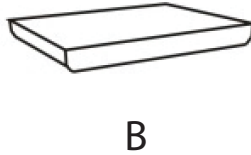
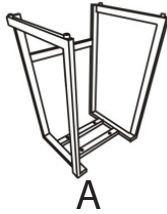
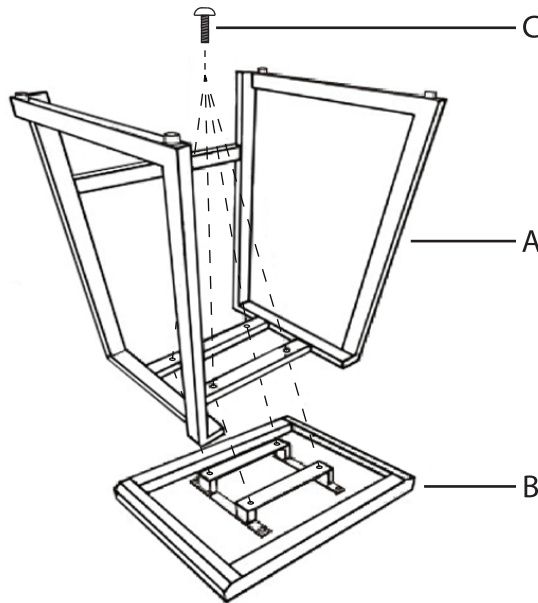
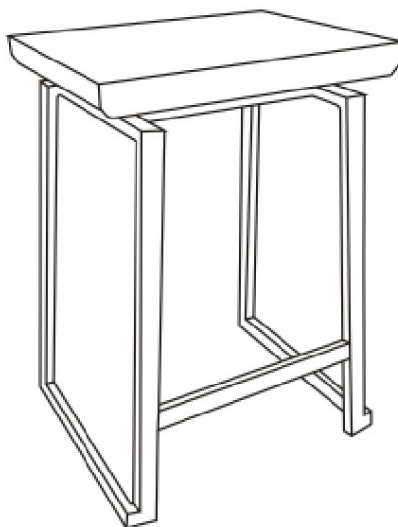


Part # CS-GEO XX+XX

18-0404

**PARTS****1****2**

Do not over tighten.  
Do not use power tools to assemble.