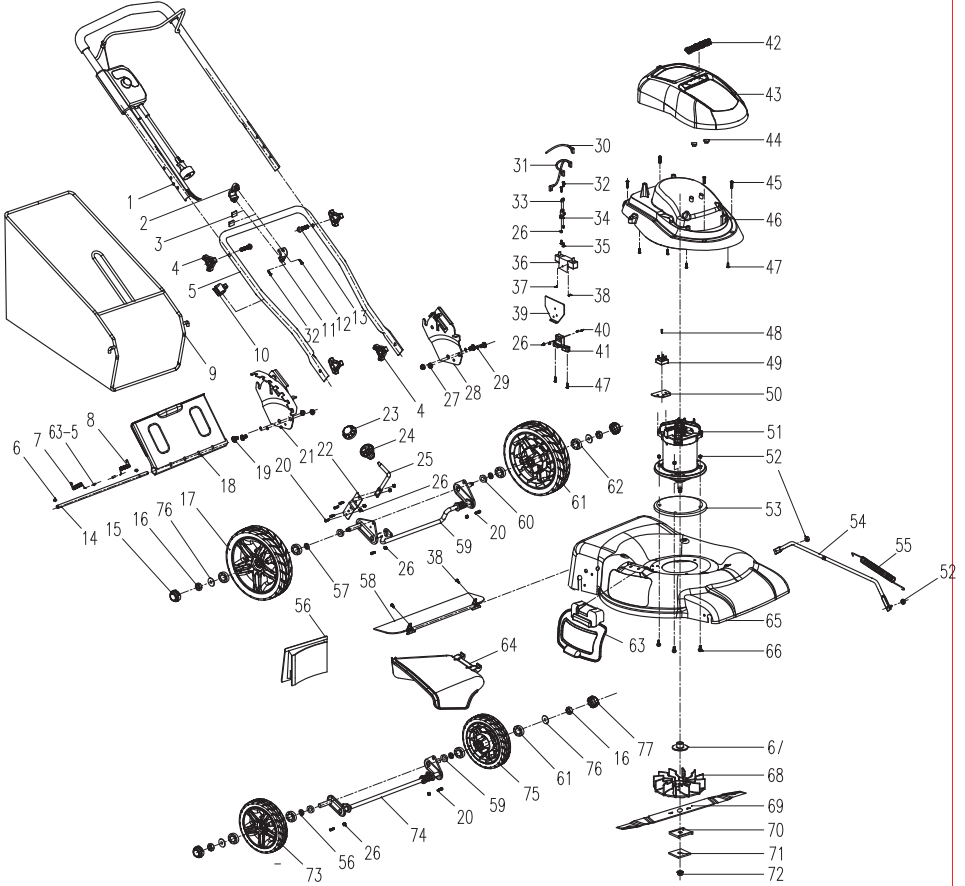


EXPLODED VIEW/PARTS LIST

MODEL 50520



EXPLODED VIEW/PARTS LIST

Key No.	Part No.	Description	Qty.
1	8440-510408	upper handle assy	1
2	8007-516401	cord guide upper cover	1
3	8336-516411	washer	2
4	8313-510501	knob	4
5	8001-510404	lower handle	1
6	8CE-08Q	E-ring	2
7	8342-510402	compression spring right	1
8	8342-510401	compression spring left	1
9	8440-510507	grass catcher assembly	1
10	8007-517001	cord guide	1
11	8007-516402	cord guide lower cover	1
12	8S,JAB30-15Q	self-tapping screw 3*15Q	1
13	8206-517001	bolt	2
14	8081-516211	rear discharge pin	1
15	8020-510408	wheel cover	2
16	8NH-08D	non-metal hexagonal nut 08D	4
17	8121-510604	rear right wheel	1
18	8020-516815	rear discharge door	1
19	8SBCD10-20D8.8	inner-hexagon screw	4
20	8SKCD05-14Q12.9	socket head cap screw 5*14Q	8
21	8321-510404	height adjust bracket (right)	1
22	8321-517009	spring board	1
23	8001-510506	height adjustment handle cover	1
24	8001-510507	height adjustment handle	1
25	8087-510504	height adjustment lever	1
26	8NH-05Q	hex lock nut 05Q	12
27	8NG-10D02	flange nut 10D	4
28	8321-510401	height adjust bracket (left)	1
29	8WS-10Q	spring pad	4
30	8413-517001	connection wire 1	1
31	8413-517002	connection wire 2	1
32	8S,JAB40-14Q	self-tapping screw 4*14Q	3
33	8184-516201	power cord clamp plate	1
34	8141-517001	wire clamp plate	1
35	8S,JAD05-10Q8.8	machine screw 10Q	2
36	8417-510401	resistance	1
37	8NA-04Q01	hex lock nut 04Q	1
38	8S,JGN04-14Q12.9	3 in 1 screw 4*14Q	3
39	8183-516203	resistance heat sink	1
40	8S,JAD05-16Q	Philips self-tapping screw 5*16Q	2
41	8291-517001	resistance supportor	1
42	8181-510401	shutter	1
43	8020-510405	motor vent	1
44	8341-510401	rubber bump	2
45	8206-510401	locking screw	4
46	8024-516302	motor cover	1
47	8S,JAB50-16Q	self-tapping screw 5*16Q	6
48	8S,JAB50-25Q	self-tapping screw 5*25Q	1
49	8427-517001	electrical bridge	1
50	8183-516202	heat sink	1
51	8401-517002	motor	1
52	8NH-06Q	hex lock nut 06Q	5
53	8336-517101	vibration reduction pad	1
54	8087-516210	link bar	1
55	8342-517002	compression spring	1
56	8020-510406	mulching plug	1
57	8224-510401	axle sleeve	4
58	8440-510496	rear flap assy	1
59	8440-510402	rear wheel axle assy	1
60	8202-517201	adjusting shim	12
61	8121-510603	rear left wheel	1
62	8334-511102	nylon bearing	8
63	8440-510409	side discharge deflector assy	1
64	8020-516203	side discharge deflector	1
65	8006-510403	deck	1
66	8SQDD06-16D8.8	flange bolt 6*16D	3
67	8224-516202	spindle guard	1
68	8403-517001	fan	1
69	8231-516201	blade	1
70	8181-517002	blade insulator	1
71	8321-517006	spacer	1
72	8207-517001	blade nut	1
73	8121-510602	front right wheel	1
74	8440-510401	front wheel axle	1
75	8121-510601	front left wheel	1
76	8325-532405	gasket	4
77	8020-510408	wheel cover	2