

Oster[®]

User's Manual

1.1. Cu. Ft. Countertop Microwave



**Model: OGJ41101
OGCMJ411S2-10**

TABLE OF CONTENTS

| | |
|--|----|
| IMPORTANT SAFETY INSTRUCTIONS | 2 |
| PRECAUTIONS TO AVOID POSSIBLE EXPOSURE TO EXCESSIVE MICROWAVE ENERGY | 3 |
| INSTALLATION GUIDE | 4 |
| GROUNDING INSTRUCTIONS | 4 |
| INSTALLING THE TURNTABLE | 5 |
| PRODUCT DIAGRAM | 5 |
| CONTROL PANEL | 6 |
| OPERATION INSTRUCTIONS | 7 |
| QUICK COOK SETTINGS | 10 |
| COOKING UTENSILS GUIDE | 12 |
| CLEANING AND CARE | 13 |
| SPECIFICATIONS | 13 |

IMPORTANT SAFETY INSTRUCTIONS

READ ALL SAFETY INSTRUCTIONS BEFORE USING THIS MICROWAVE

WARNING - to reduce the risk of burns, electric shock, fire, injury to persons, or exposure to excessive microwave energy, basic safety precautions should be followed, including the following:

1. Read all instructions before using the microwave.
2. Read and follow the specific "PRECAUTIONS TO AVOID POSSIBLE EXPOSURE OR EXCESSIVE MICROWAVE ENERGY" on page 3.
3. This microwave must be grounded. Connect only to properly grounded outlets. See page 4 for grounding instructions.
4. Install or place this microwave only in accordance with installation instructions.
5. Some produce such as whole eggs and sealed containers - for example, closed glass jars - are able to explode and should not be heated in this oven.
6. This microwave is intended for use only as described in this manual. Do not use corrosive chemicals or vapors in this microwave. This type of microwave is specifically designed to heat, cook, or dry foods. It is not designed for laboratory use.
7. As with any appliance, close supervision is necessary when used by children.
8. To reduce the risk of fire in the oven cavity:
 - Do not overcook food. Carefully attend to the microwave when paper, plastic, or other combustible materials are placed inside the microwave to facilitate cooking.
 - Remove wire twist-ties from paper or plastic bags before placing in microwave.
 - If materials inside the microwave should ignite, keep microwave door closed, turn it off, and disconnect the power cord or turn off the power fuse at the circuit breaker panel.
 - Do not use the microwave cavity for storage purposes. Do not leave paper products, cooking utensils, or food in the cavity when not in use.
9. Liquids, such as water, coffee, or tea, may overheat beyond the boiling point without appearing to be boiling due to surface tension of the liquid. Visible bubbling or boiling when the container is removed from the microwave is not always present. THIS COULD RESULT IN VERY HOT LIQUIDS SUDDENLY BOILING OVER WHEN A SPOON OR OTHER UTENSIL IS INSERTED INTO THE LIQUID. To reduce the risk of injury:
 - Do not overheat the liquid;
 - Stir the liquid both before and halfway through heating;
 - Do not use straight-sided containers with narrow necks;
 - After heating, allow the container to stand in the microwave a short time before removing;
 - Use extreme care when inserting a spoon or other utensil into the container.
10. Do not heat oil or fat for deepfrying in this microwave. It is difficult to control the temperature of oil in the microwave.
11. Pierce foods with heavy skins, such as potatoes, before cooking.
12. The contents of feeding bottles and baby jars should be stirred or shaken and the temperature should be checked before serving to avoid burns.
13. Cooking utensils may become hot from heat transferred from the heated food. Pot holders may be needed to handle these utensils.
14. Do not cover or block any openings on the microwave.
15. Do not store or use this microwave outdoors. Do not use this microwave near water, for example, near a kitchen sink, in a wet basement, near a swimming pool, or similar location.
16. Do not operate this microwave if it has a damaged cord or plug, if it is not working properly, or if it has been

IMPORTANT SAFETY INSTRUCTIONS (continued)

damaged or dropped.

17. Do not immerse the cord or plug in water. Keep cord away from heated surfaces. Do not let the cord hang over the edge of the table or counter.
18. Use only thermometers specifically designed for microwaves.
19. Do not operate any heating or cooking under this microwave.
20. Be certain the glass tray and roller rings are in place when using the microwave.
21. When cleaning microwave surface and door, use only mild, nonabrasive soaps or detergents applied with a sponge or soft cloth.
22. This equipment generates, uses and can radiate radio frequency energy and, if not installed and used in accordance with the instructions, may cause harmful interference to radio communications. However, there is no guarantee that interference will not occur in a particular installation. If this equipment does cause harmful interference to radio or television reception, which can be determined by turning the equipment off and on, the user is encouraged to try to correct the interference by one or more of the following measures:
 - Reorient or relocate the receiving antenna.
 - Increase the separation between the equipment and receiver.
 - Connect the equipment into an outlet on a circuit different from that to which the receiver is connected.
 - Consult the dealer or an experienced radio/TV technician for help.
23. This microwave should be serviced only by qualified service personnel. For service and repair, please contact our Customer Support Center at 1-800-324-0340.

PRECAUTIONS TO AVOID POSSIBLE EXPOSURE TO EXCESSIVE MICROWAVE ENERGY

1. Do not attempt to operate this microwave with the door open. Door open operation can result in harmful exposure to microwave energy. It is important not to defeat or tamper with the door interlocks.
2. Do not place any objects between the microwave front face and the door, or allow soil or cleaner residue to accumulate on sealing surfaces.
3. Do not operate the microwave if damaged. It is particularly important that the microwave door be properly closed and there is no damage to the door (bent), hinges and latches (broken or loosened), or door seals and sealing surfaces.
4. The microwave should not be adjusted or repaired by anyone except properly qualified service personnel.

SAVE THESE INSTRUCTIONS

INSTALLATION GUIDE

1. Make sure all packing materials are removed from inside the microwave door.
2. Check the microwave for damage, such as misaligned or bent door, damaged door seals and sealing surface, broken or loose door hinges and latches, and dents inside the cavity or on the door. If there are any damages, do not operate the microwave and contact Customer Service at 1-800-324-0340.
3. This microwave must be placed on a flat, stable surface to hold its weight and the heaviest food likely to be cooked inside.
4. Do not place the oven where heat, moisture, or high humidity is generated. Do not place microwave near combustible materials.
5. For correct operation, the oven must have sufficient air flow. Allow 8" of space above the microwave, 4" at the back, and 2" on each side of the unit.
6. Do not cover or block any openings on the microwave. Do not remove microwave feet. Do not operate the oven without the glass tray, roller support, and shaft in their proper positions. Make sure the power supply cord is undamaged and does not run under the microwave or over any hot or sharp surface.
7. The socket must be readily accessible so the microwave can be easily unplugged in an emergency.

GROUNDING INSTRUCTIONS

This microwave must be grounded. In the event of an electrical short circuit, grounding reduces risk of electric shock by providing an escape wire for the electric current. Consult a qualified electrician or serviceman if the grounding instructions are not completely understood, or if doubt exists as to whether the appliance is properly grounded, and either: 1) If it is necessary to use an extension cord, use only a 3-wire extension cord that has a 3-blade grounded plug, and 3-slot receptacle that will accept the plug on the appliance. The marked rating of the extension cord shall be equal to or greater than the electrical rating of the appliance, or 2) Do not use an extension cord. If the power supply cord is too short, have a qualified electrician or service man install an outlet near the appliance. For questions regarding the grounding instructions, please contact our Customer Support Center at 1-800-324-0340.

WARNING: Improper use of the grounding plug can result in risk of electric shock.

ELECTRICAL REQUIREMENTS

The electrical requirements for this microwave are a 120V, 60Hz, AC only, 20 amp.

It is recommended that a separate circuit serving only the microwave be provided.

The microwave is equipped with a 3-prong grounding plug. It must be plugged into a wall outlet properly installed and grounded.

POWER CORD

- A short power supply cord is provided to reduce the risks resulting from becoming entangled in or tripping over a long cord.
- Longer cord sets or extension cords are available and may be used if care is taken in using them.
- If using a longer cord, the marked electrical rating of the cord set or extension cord should be at least as great as the electrical marking of the microwave itself and the extension cord must be a grounded-type 3-wire cord. The longer cord should be arranged so it will not drape over the counter or tabletop.

GROUNDING INSTRUCTIONS (continued)

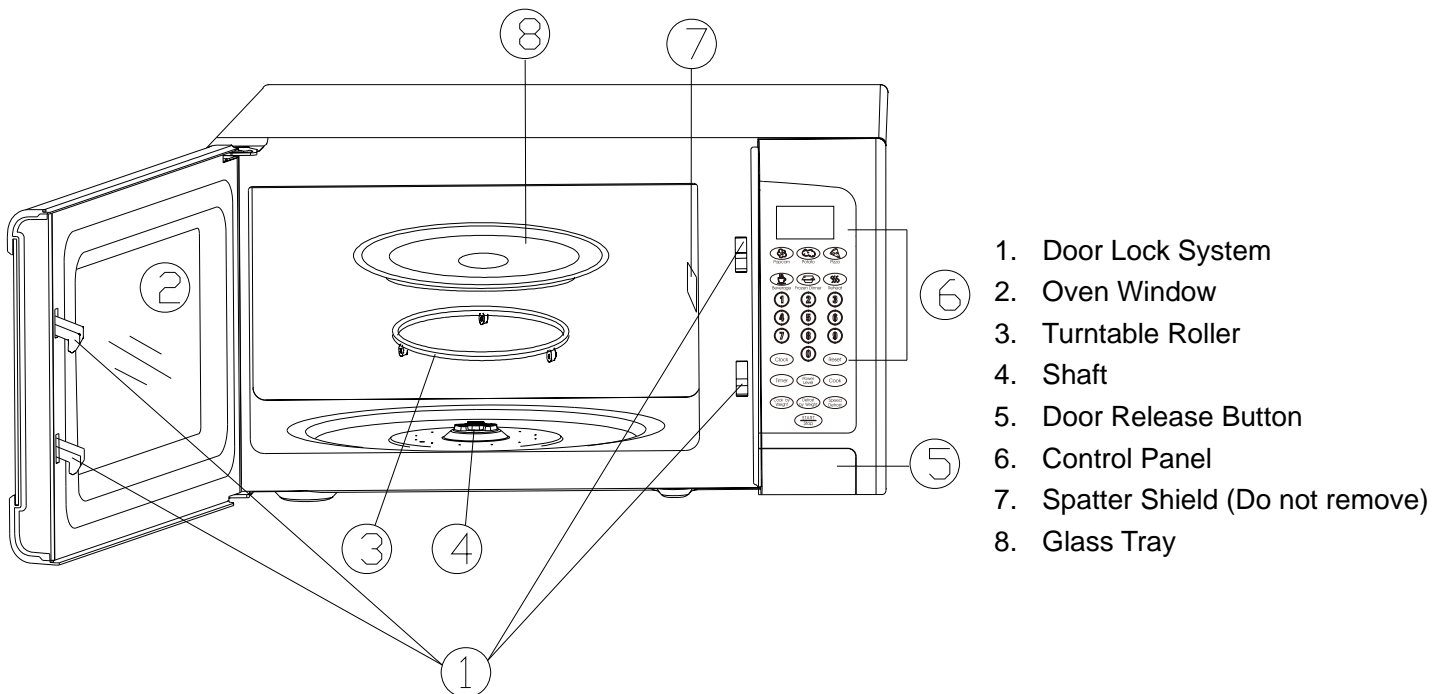
RADIO OR TV INTERFERENCE

- Should there be any interference caused by the microwave oven to your radio or TV, check that the microwave oven is on a different circuit, relocate the radio or TV as far away from the oven as feasible, and check position and signal of receiving antenna.

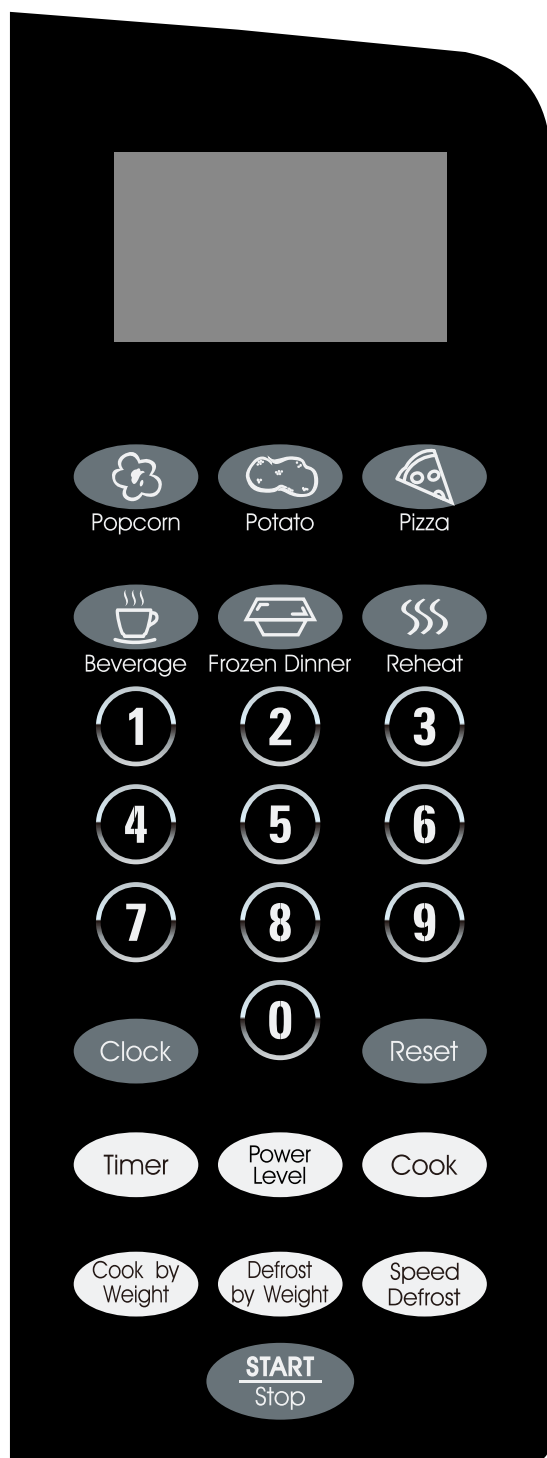
INSTALLING THE TURNTABLE

- Never place the glass tray upside down.
- The glass tray should never be restricted.
- Both the glass tray and turntable ring assembly must always be used during cooking.
- All food and containers of food should always be placed on the glass tray for cooking.
- If the glass tray or turntable ring assembly cracks or breaks, contact 1-800-324-0340.

PRODUCT DIAGRAM



CONTROL PANEL



- **DISPLAY**
Cooking time, power, indicators and present time are displayed.
- **QUICK COOK BUTTONS**
Instant settings to cook popular foods.
- **NUMBER PADS (0 TO 9)**
Touch to set time, weight or the amount.
- **CLOCK**
Use to set the time of day or recall the time of day.
- **RESET**
Clear all previous settings.
- **TIMER**
The kitchen timer function can be used alone, even in the process of cooking.
- **POWER LEVEL**
Use to set power level. To check power level during cooking, touch POWER LEVEL pad.
- **COOK**
Use for multi-stage cooking. Programmed cooking at multiple power and time settings automatically.
- **COOK BY WEIGHT**
Programmed cooking based on weight of foods.
- **DEFROST BY WEIGHT**
Programmed defrosting based on the weight of the foods.
- **SPEED DEFROST**
Quick defrost function that alternates defrost and stand times to quickly and effectively defrost foods.
- **START/STOP**
Touch to start or stop cooking.

OPERATION INSTRUCTIONS

SIGNALS DURING OVEN SETTINGS:

ONE SIGNAL: Oven accepts the entry.

TWO SIGNALS: Oven does not accept the entry, check and try again.

SETTING THE CLOCK

Suppose you want to set the clock as 8:30:

1. Touch CLOCK pad.
2. Use the number pads to enter the correct time until the screen shows 8:30.
3. Touch CLOCK pad again.

NOTE:

- This is a 12 hour clock. When the oven is first plugged in or when power resumes after a power interruption, the display will show ENTER CLOCK TIME. If you prefer to not have the clock displayed, touch RESET.
- You can check the clock time while cooking is in progress by touching the CLOCK pad.

SETTING THE TIMER

1. Touch TIMER.
2. Enter the amount of time by touching the number pads. Digit time is in minutes and seconds and set left to right. Set one digit (a 5 for 5 seconds) or up to four digits (2405 for 24 minutes, 5 seconds).
3. Touch START/STOP.

NOTES:

- The maximum time you can enter is 99 minutes and 99 seconds.
- Time countdown can be seen in display before clock or cooking time is returned to display.
- Touch TIMER and then touch RESET to cancel TIMER during timing process.

SETTING A COOKING PROGRAM

A. One-stage Cooking

1. Use the number pads to set a cooking time. You can set a cooking time from 00:01 to 99:99.
2. The default setting is 100% microwave power output. If you want to set a power level other than 100%, touch POWER LEVEL, and then use the number pads to enter the power level.
3. Touch START/STOP to start cooking.

Use single digits to set a cooking power level:

| Number pad | Cooking power | Number pad | Cooking power |
|------------|---------------|------------|---------------|
| 9 | 90% | 4 | 40% |
| 8 | 80% | 3 | 30% |
| 7 | 70% | 2 | 20% |
| 6 | 60% | 1 | 10% |
| 5 | 50% | 0 | 0% |

OPERATION INSTRUCTIONS (continued)

B. Two-stage Cooking

Some recipes require different stages of cooking at different temperatures.

1. SET STAGE 1:

Follow steps 1 and 2 in "One-stage Cooking". DO NOT TOUCH START/STOP.

2. SET STAGE 2:

Touch COOK then enter proper cooking time and (lower) power level. Most 2-stage recipes use lower power for second stage.

3. Touch START/STOP.

NOTE:

- After total time has elapsed, signals sound and END appears in display. Touch any button or open oven door to clear END before starting another cooking function.

SPEED DEFROST

1. Touch SPEED DEFROST.

2. Enter desired defrosting time by touching correct number pads.

Digital timer sets minutes and seconds from left to right so a single digit can be set ("5" for 5 seconds) or up to 4 digits ("2405" for 24 minutes 5 seconds).

3. Touch START/STOP pad.

NOTES:

- The longest defrosting time is 99:99.
- After time has elapsed signals sound and END appears in display. Touch any pad or open door to clear END before starting another cooking function.
- After setting Speed Defrost, oven can be programmed to automatically switch to one or two-stage cooking.
- For Speed Defrost and one stage cooking, follow steps above. Before touching START/STOP, touch COOK, enter time and power level. Then touch START/STOP.
- For Speed Defrost and two stages cooking, follow steps above. Before touching START/STOP, enter two-stage cooking programs.

COOK BY WEIGHT

1. Touch COOK BY WEIGHT.

2. Enter the one digit code by touching the correct number pad.

3. Enter weight.

4. Touch START/STOP.

Cook By Weight Code Description

| CODE | TYPE | MAX WEIGHT |
|------|---------|--------------|
| 1 | Beef | 5 lb. 16 oz. |
| 2 | Chicken | 5 lb. 16 oz. |
| 3 | Pork | 5 lb. 4 oz. |

OPERATION INSTRUCTIONS (continued)

NOTES:

- Meat must be defrosted and at refrigerated temperature.
- Weight must be in pounds and ounces.
- Ounce weights less than 10 must be preceded by a 0. If label gives weight in pounds only, change the fraction of a pound to ounces using the following chart.

Converting Fractions of a Pound to Ounces

| Fractions of a pound | Ounces | Fractions of a pound | Ounces |
|----------------------|--------|----------------------|-----------------|
| Less than .03 | 0 | .54 to .59 | 9 |
| .03 to .09 | 1 | .60 to .65 | 10 |
| .10 to .15 | 2 | .66 to .71 | 11 |
| .16 to .21 | 3 | .72 to .78 | 12 |
| .22 to .27 | 4 | .79 to .84 | 13 |
| .28 to .34 | 5 | .85 to .90 | 14 |
| .35 to .40 | 6 | .91 to .97 | 15 |
| .41 to .46 | 7 | above .97 | go to next even |
| .47 to .53 | 8 | | |

- During cooking, the system will pause automatically and sound to remind user to turn food over. After that touch START/STOP to resume cooking.
- After total cooking time, signals sound and END appears in display. Touch any pad or open oven door to clear END before starting another cooking function.
- Let meat stand few minutes before carving.

DEFROST BY WEIGHT

1. Touch DEFROST BY WEIGHT.
2. Enter weight by touching correct number pads.
3. Touch START/STOP.

NOTE:

- Weight must be in pounds and ounces. Ounce weights less than 10 must be preceded by a 0. If label gives weight in pounds only, change the fraction of a pound to ounces using the chart given above. The maximum weight is 5lb.16oz.
- Turn over food when oven signals twice. Touch START/STOP pad to resume defrosting.
- After total defrosting time, signals sound and END appears in display. Touch any pad or open oven door to clear END before starting another cooking function.

SETTING CHILD LOCK

The child lock prevents unsupervised operation by children.

To set: In standby mode, press and hold RESET for 3 seconds. Beeps will sound and lock indication appears on the display for 3 seconds and then the screen shows the current clock.

To cancel: Press and hold RESET for 3 seconds. Beeps will sound and lock indication disappears.

QUICK COOK SETTINGS

The QUICK COOK settings allow you to cook or reheat food automatically without entering power level or time.

For smaller portions, simply touch the applicable pad and start.

For larger portions, push the pad twice.

FROZEN DINNER, BAKED POTATO and BEVERAGE allow you to cook multiple amounts of the same food. Simply touch pad once, and ENTER AMT appears in the display. Enter the amount of servings and start.

POPCORN

1. Touch POPCORN.
2. CODE and cooking time appears in the display. POPCORN automatically sets the cooking time for a 3.5 oz. bag of microwave popcorn.
3. Touch START/STOP.

NOTE:

- To change the preset POPCORN time: Touch POPCORN twice. ENTER TIME appears in display. Touch number pads to enter minutes and seconds. Touch START/STOP. The longest cooking time is 99:99. This new cooking time will remain whenever you use the POPCORN setting.

BAKED POTATO

For potatoes (4-6 oz./each):

1. Touch POTATO once.
2. Press number pad 1 to 4 to choose different entries.
3. Touch START/STOP.

For larger potatoes (8-10 oz./each):

1. Touch POTATO twice.
2. Press number pad 1 to 4 to choose different entries.
3. Touch START/STOP.

PIZZA

Reheating a slice of pizza:

1. Touch PIZZA once. CODE and cooking time appears.
2. Touch START/STOP.

Reheating a whole frozen pizza:

1. Touch PIZZA twice. CODE and cooking time appears.
2. Touch START/STOP.

QUICK COOK SETTINGS (continued)

BEVERAGE

For cups (5 to 7 oz./each):

1. Touch BEVERAGE once.
2. Press number pad 1 to 4 to choose different entries.
3. Touch START/STOP.

For cups (9 to 11 oz./each):

1. Touch BEVERAGE twice.
2. Press number pad 1 to 4 to choose different entries.
3. Touch START/STOP.

FROZEN DINNER

For one or two small (7 to 9 oz./each) frozen dinners:

1. Touch FROZEN DINNER once.
2. For 1 entree, touch the number pad "1". For 2 entrees, touch the number pad "2".
3. Touch START/STOP pad.

For one or two larger (10 to 12 oz./each) frozen dinners:

1. Touch FROZEN DINNER twice.
2. For 1 entree, touch the number pad "1". For 2 entrees, touch the number pad "2".
3. Touch START/STOP.

REHEAT

To reheat a plate of food (11 to 14 oz.):

1. Touch REHEAT pad. CODE and cooking time appears.
2. Touch START/STOP.

COOKING UTENSILS GUIDE

This section lists which utensils can be used in the microwave, which ones have limited use for short periods, and which ones should not be used in the microwave.

RECOMMENDED

Microwave browning dish — Use to brown the exterior of small items such as steaks, chops, or pancakes. Follow the directions provided with your browning dish.

Microwaveable plastic wrap — Use to retain steam. Leave a small opening for some steam to escape and avoid placing it directly on the food.

Paper towels and napkins — Use for short-term heating and covering; these absorb excess moisture and prevent spattering. Do not use recycled paper towels, which may contain metal and could ignite.

Glass and glass-ceramic bowls and dishes — Use for heating or cooking.

Paper plates and cups — Use for short-term heating at low temperatures. Do not use recycled paper, which may contain metal and could ignite.

Wax paper — Use as a cover to prevent spattering.

Thermometers — Use only those labeled "Microwave Safe" and follow all directions. Check the food in several places. Conventional thermometers may be used on microwave food once the food has been removed from the oven.

LIMITED USE

Aluminum foil — Use narrow strips of foil to prevent overcooking of exposed areas. Using too much foil can damage your oven, so be careful. You should keep distance of 1 inch (2.54cm) between aluminum foil and cavity.

Ceramic, porcelain, and stoneware— Use these if they are labeled "Microwave Safe". If they are not labeled, test them to make sure they can be used safely.

Plastic — Use only if labeled "Microwave Safe". Other plastics can melt.

NOT RECOMMENDED

Glass jars and bottles — Regular glass is too thin to be used in a microwave. It can shatter and cause damage and injury.

Paper bags — These are a fire hazard, except for popcorn bags that are designed for microwave use.

Styrofoam plates and cups — These can melt and leave an unhealthy residue on food.

Plastic storage and food containers — Containers such as margarine tubs can melt in the microwave.

Metal utensils — These can damage your oven. Remove all metal before cooking.

NOTE: Should you wish to check if a dish is safe for microwaving, place the empty dish in the oven and microwave on HIGH for 30 seconds. A dish which becomes very hot should not be used.

CLEANING AND CARE

1. Turn off the microwave and unplug the power cord from the wall when cleaning.
2. Keep the inside of the microwave clean. When food splatters or spilled liquids adhere to microwave walls, wipe with a damp cloth. Mild detergents may be used if the microwave gets very dirty. Avoid using spray or other harsh cleaners. They may stain, streak, or dull the door surface.
3. The outside of the microwave should be cleaned with a damp cloth. To prevent damage to the operating parts inside the microwave, water should not be allowed to seep into the ventilation openings.
4. Wipe the window on both sides with a damp cloth to remove any spills or splatters.
5. Do not allow the control panel to become wet. Clean with a soft, damp cloth. When cleaning the panel, leave the microwave door open to prevent it from accidentally turning on.
6. If steam accumulates inside or around the outside of the door, wipe with a soft cloth. This may occur when the microwave is operated under high humidity. This is normal.
7. It may be necessary to remove the glass tray for cleaning. Wash the tray in warm, soapy water or in a dishwasher. The roller ring and microwave floor should be cleaned regularly to avoid excessive noise. Wipe the bottom surface of the microwave with a mild detergent.
8. The roller ring may be washed in mild, soapy water or in a dishwasher. When removing the roller ring, be sure to replace it in the proper position.
9. Remove odors from your microwave by combining a cup of water with the juice and skin of one lemon in a microwaveable bowl. Microwave for 5 minutes. Wipe thoroughly and dry with a soft cloth.
10. If the light bulb burns out, please contact customer service to have it replaced.
11. The microwave should be cleaned regularly and any food deposits should be removed. Failure to maintain the microwave in a clean condition could lead to deterioration of surfaces that could adversely affect the life of the unit and could possibly result in a hazardous situation.
12. Please do not dispose of this appliance into a regular garbage receptacle. Please check to see where you can dispose such appliances.

SPECIFICATIONS

| | |
|--------------------------------|-----------------------------------|
| Power Consumption | 120V, 60Hz, 1500W |
| Output | 1000W |
| Operation Frequency | 2450MHz |
| Outside Dimensions (HxWxD) | 11 13/16 x 21 1/4 x 16 inches |
| Oven Cavity Dimensions (HxWxD) | 9 7/16 x 13 15/16 x 14 1/8 inches |
| Oven Capacity | 1.1 cu. ft. |
| Cooking Uniformity | Turntable System |
| Net Weight | Approx. 35.2 lbs. |



© 2018 Sunbeam Products, Inc. doing business as Jarden Consumer Solutions. All rights reserved.

Oster® logo is a registered trademark of Sunbeam Products, Inc. used under license.

Distributed by Guangdong Galanz Microwave Electrical Appliances Manufacturing Co., Ltd.,

Huangpu, Zhongshan, Guangdong, 528429, China.

For service, support and warranty information, call 1-800-324-0340.