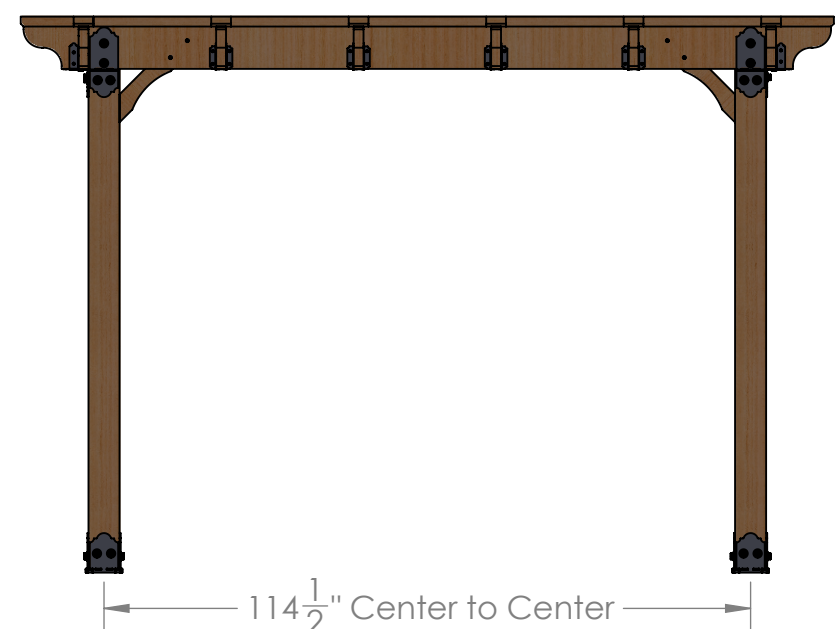
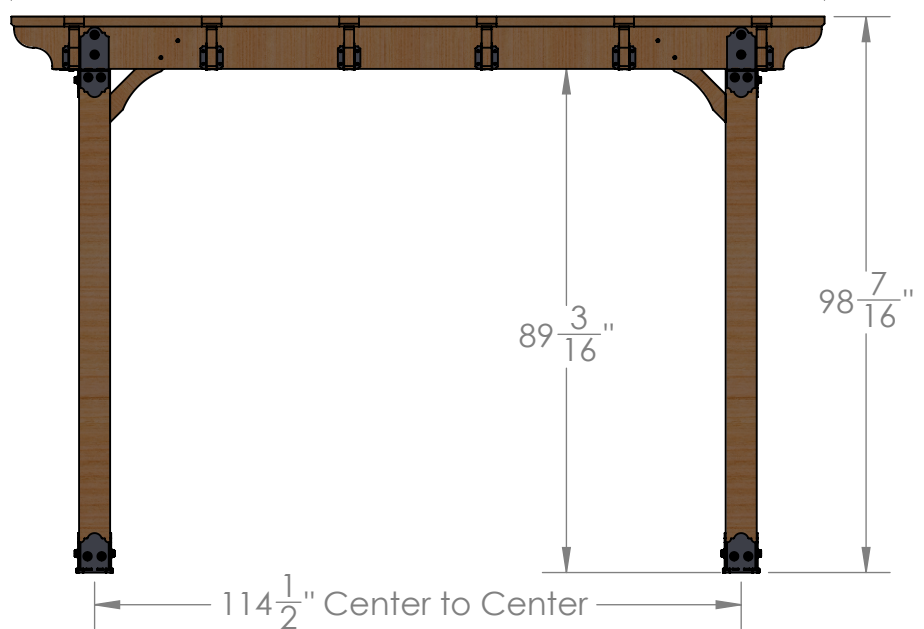
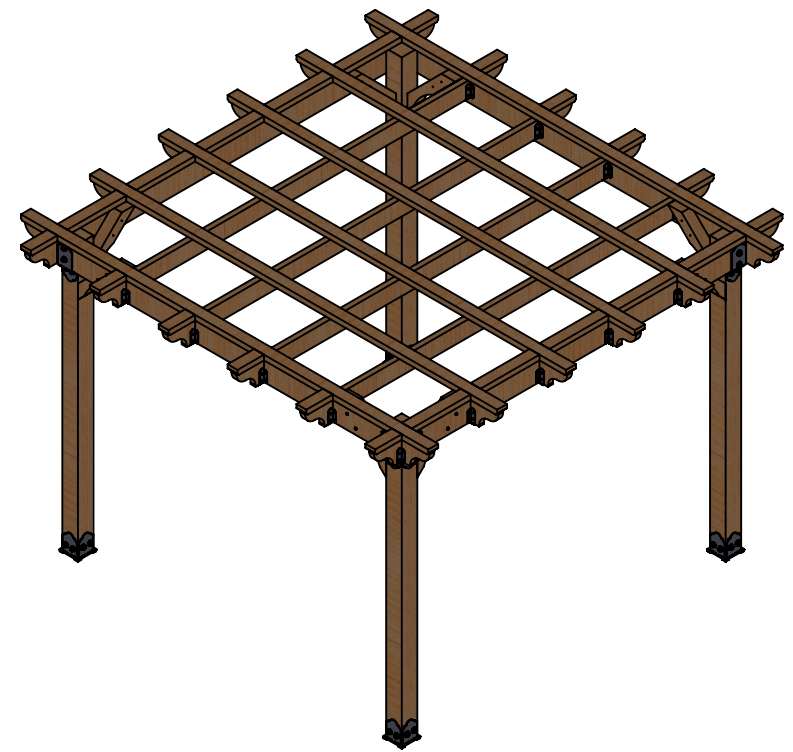
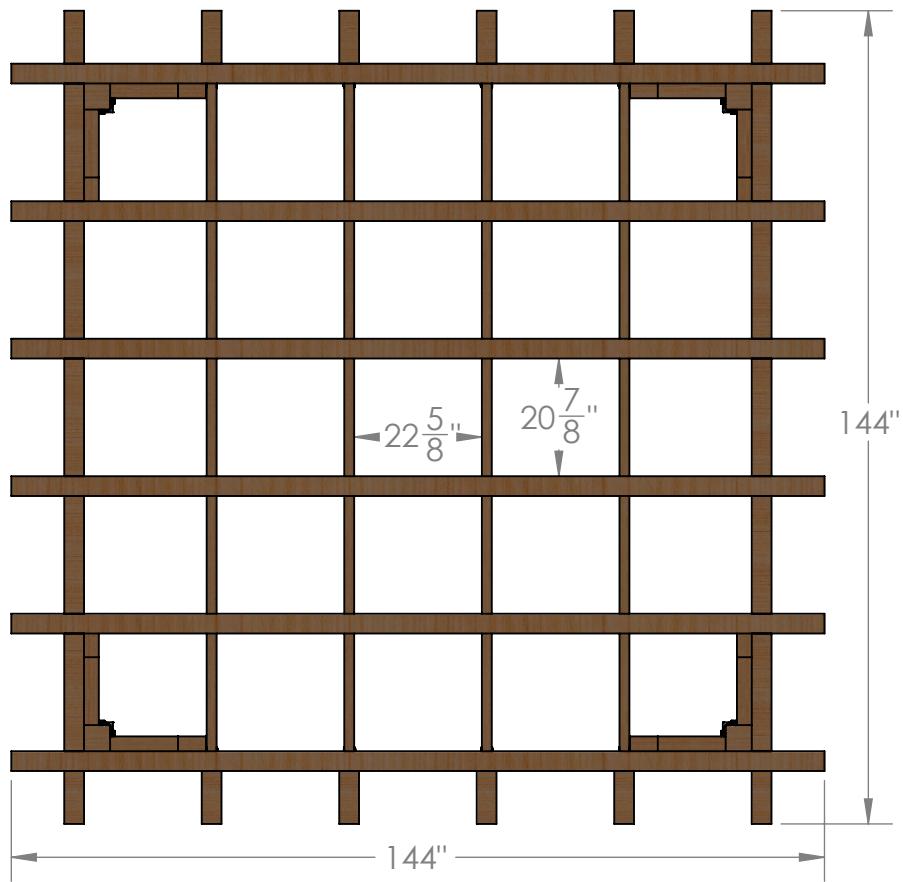
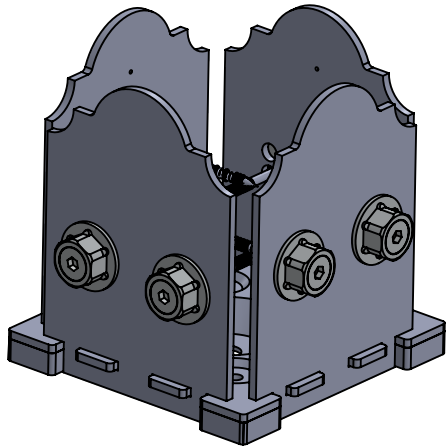




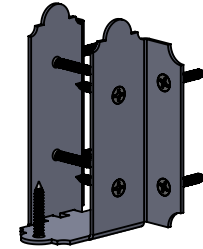
# DIY Pergola 12x12





56608  
4x

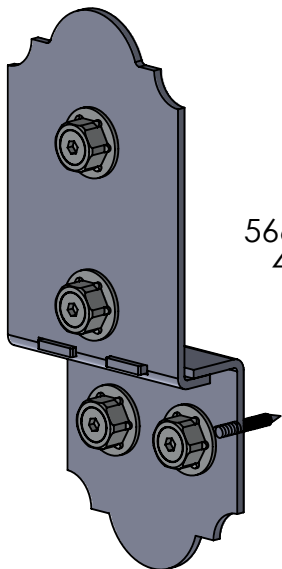
install per 56608  
instruction



56639  
28x

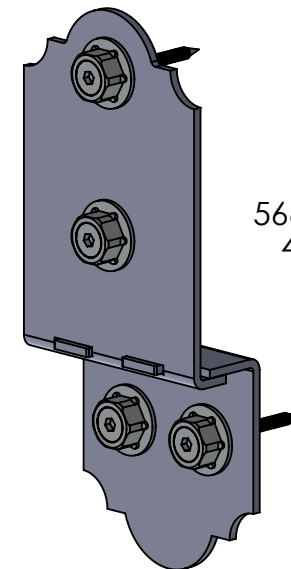
install per  
56639 instruction

# Hardware



56637  
4x

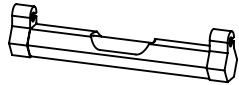
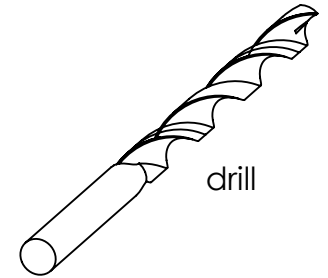
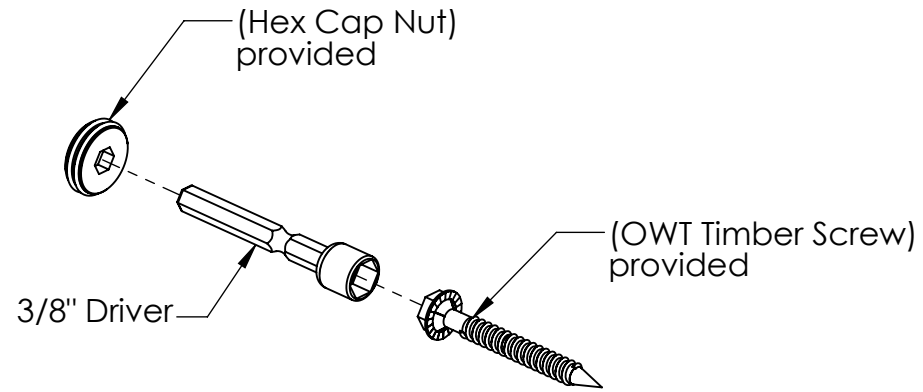
install per  
56637 instruction



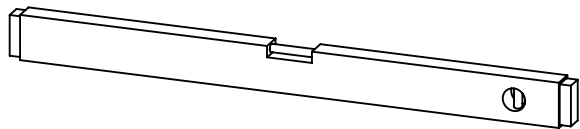
56636  
4x

install per  
56636 instruction

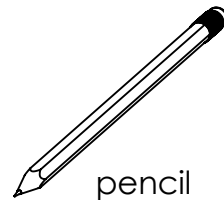
# Tools Required



line level



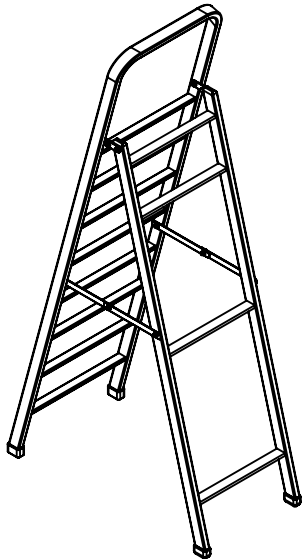
spirit level



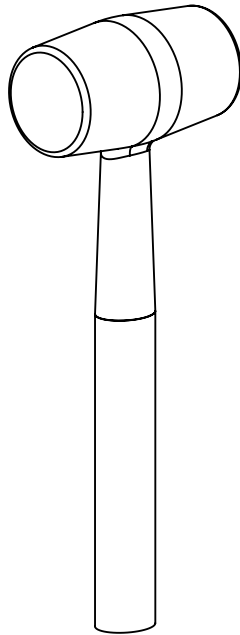
pencil



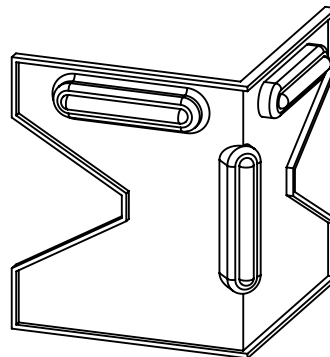
safety goggles



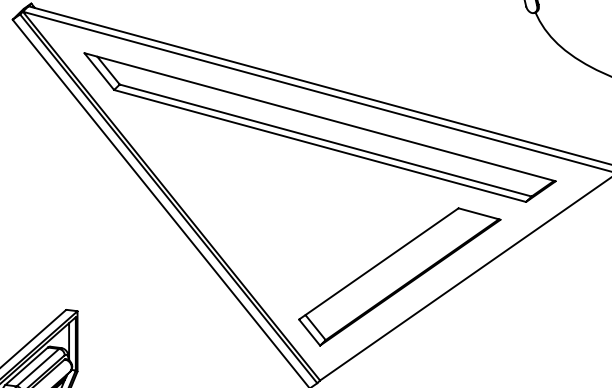
ladder



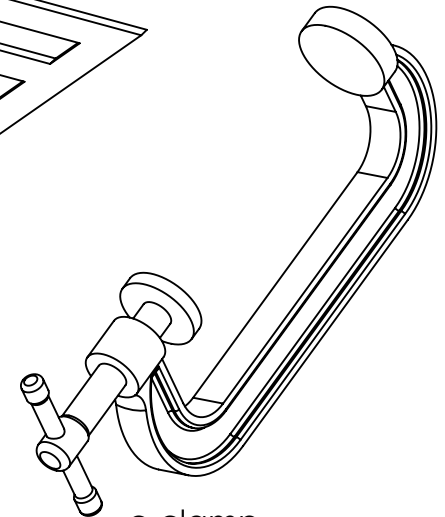
rubber mallet



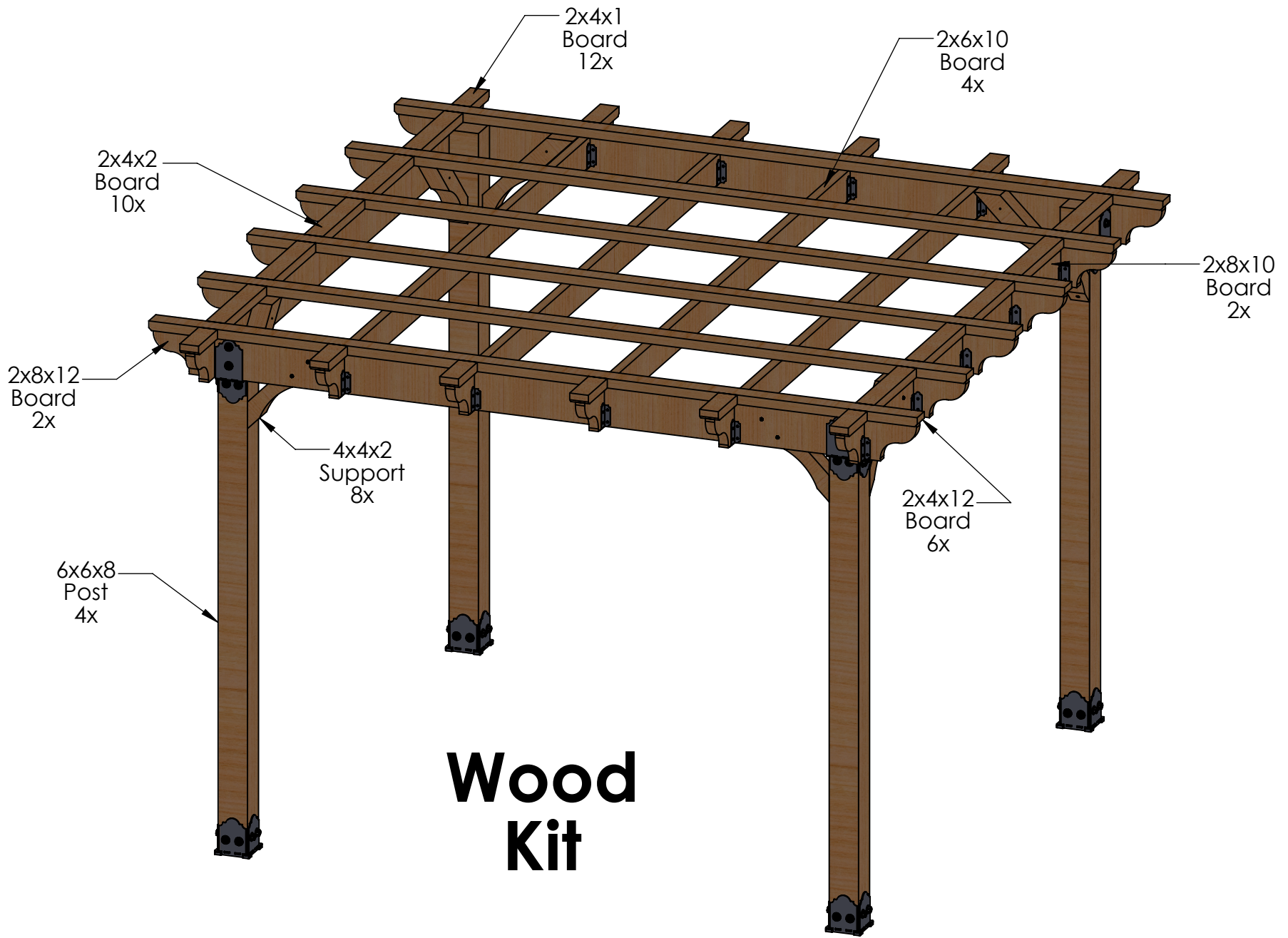
post level



speed square



c-clamp



# Wood Kit

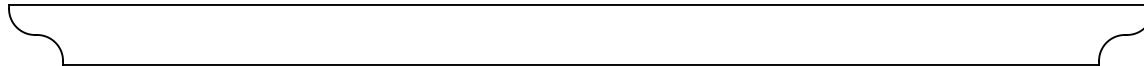
# Wood cut list

item	quantity	description
1	4	6x6x8 post
2	2	2x8x12 (with decora cut on each end)
3	6	2x8x10
4	6	2x4x12 (with chamfer cut on each end)
5	2	2x8x10 (cut 10, 10-1/4" length pieces with 1 decora cut)
6	2	4x4x8 (cut 8, 24" pieces with 45 °angle cuts)
7	1	2x4x10 (cut 12, 9-3/8" pieces with 1 chamfered end)
8	2	2x4x10 (cut 10, 20-1/2" pieces)

item 1

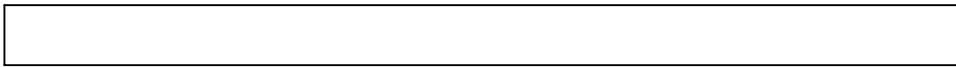


item 2

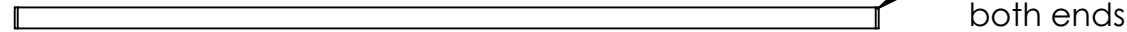


see Ozco website for cut template

item 3



item 4



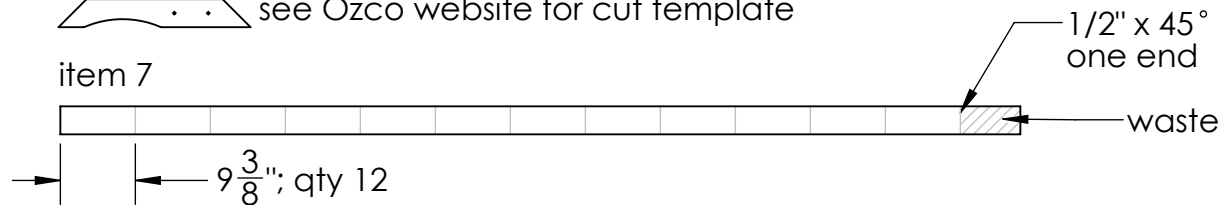
item 5



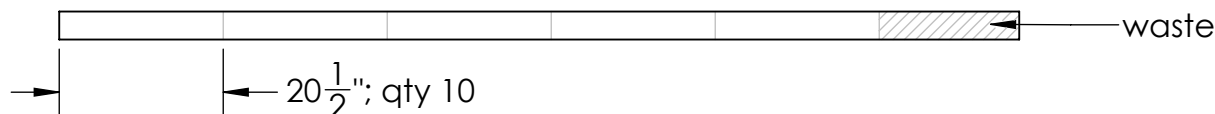
item 6



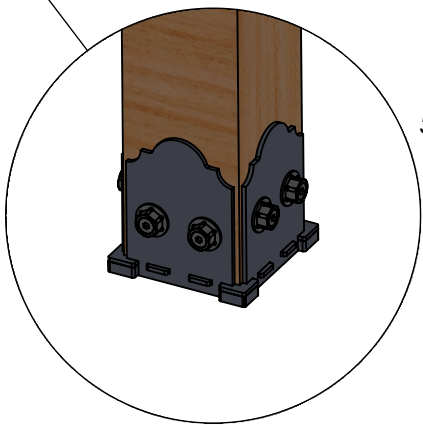
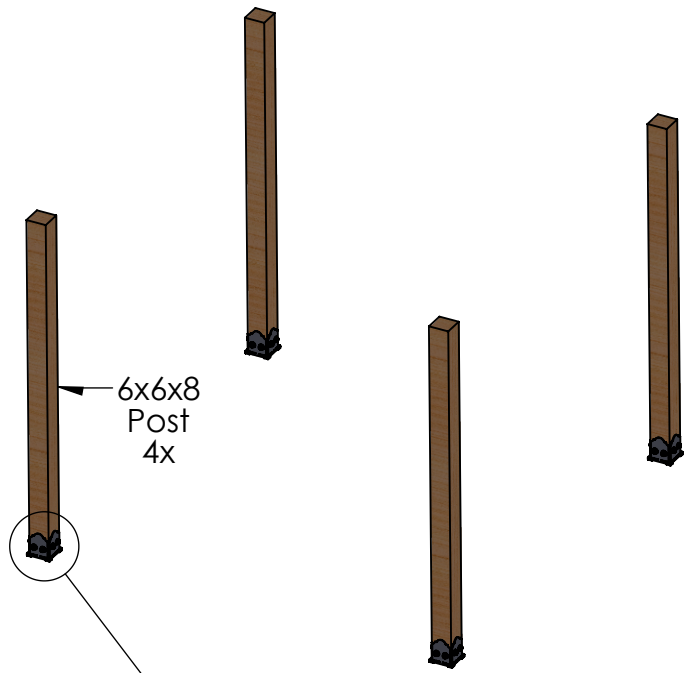
item 7



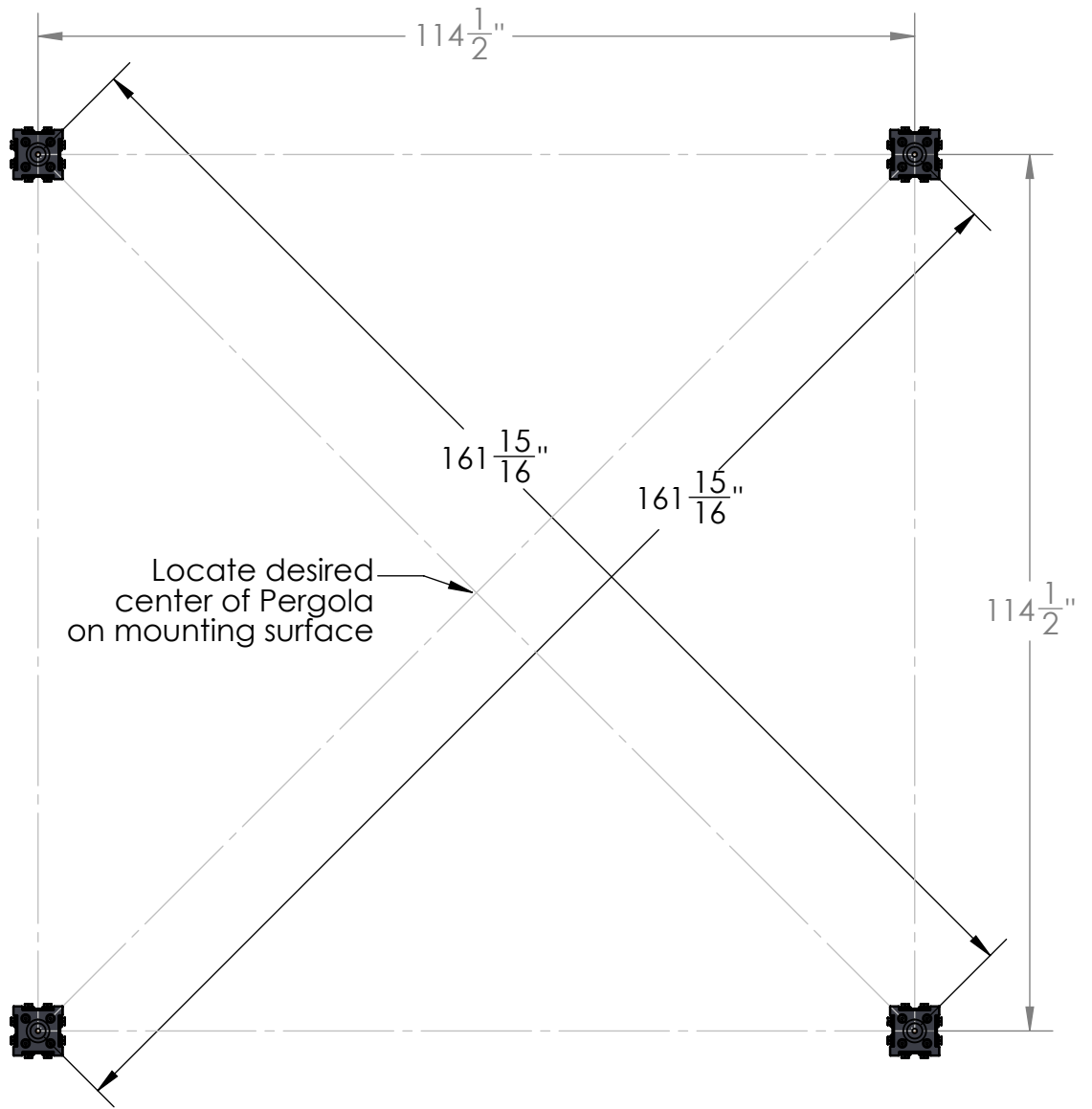
item 8



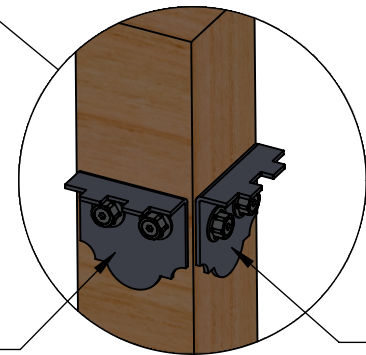
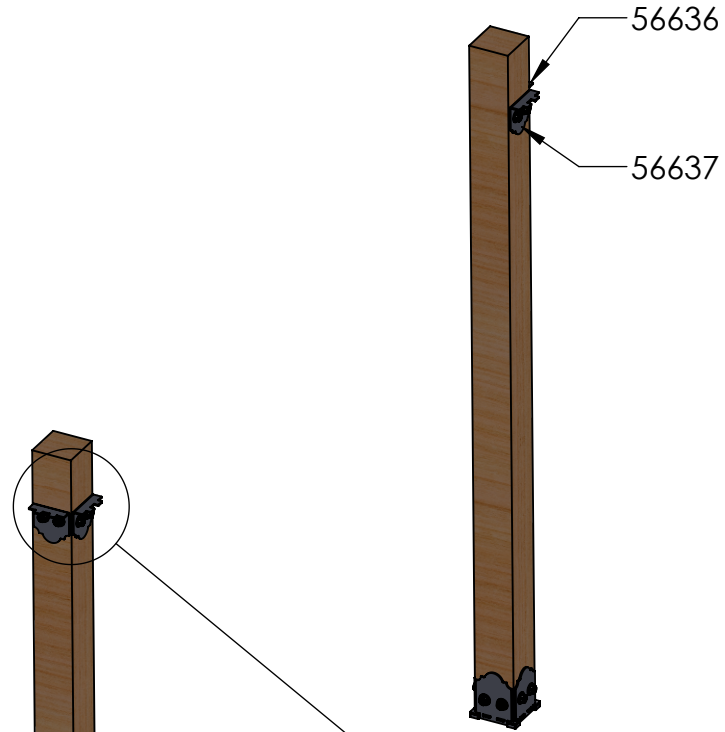
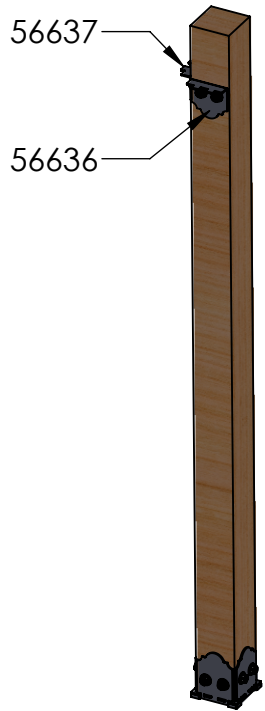
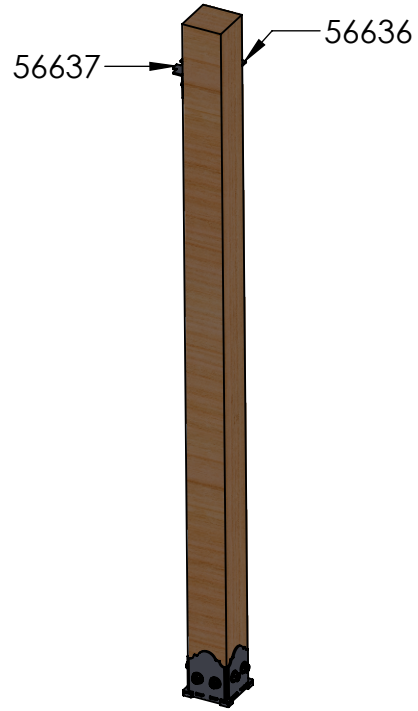
# 1



install per 56608 instruction



2

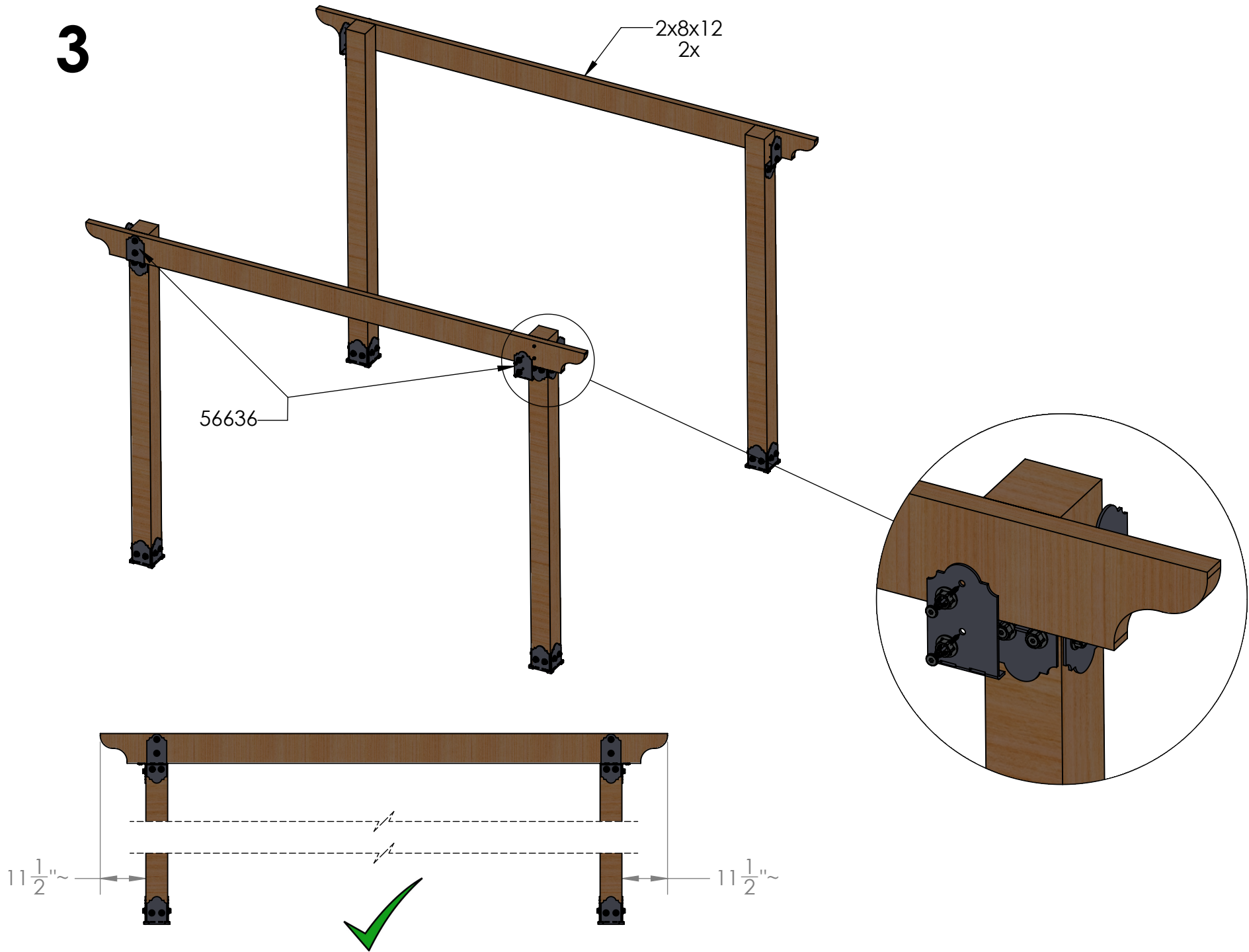


56636  
install per  
56636 instruction

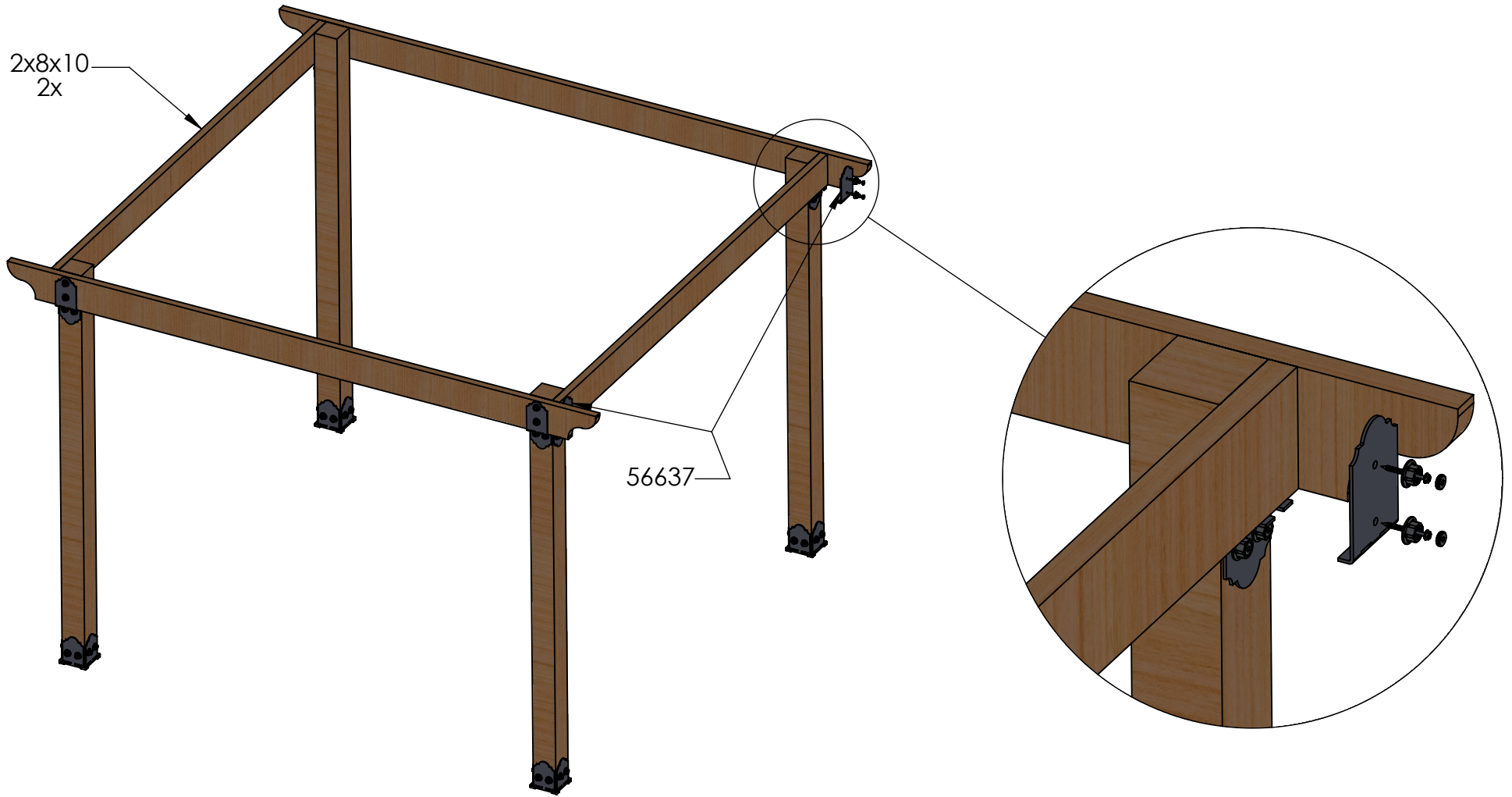
56637  
install per  
56637 instruction



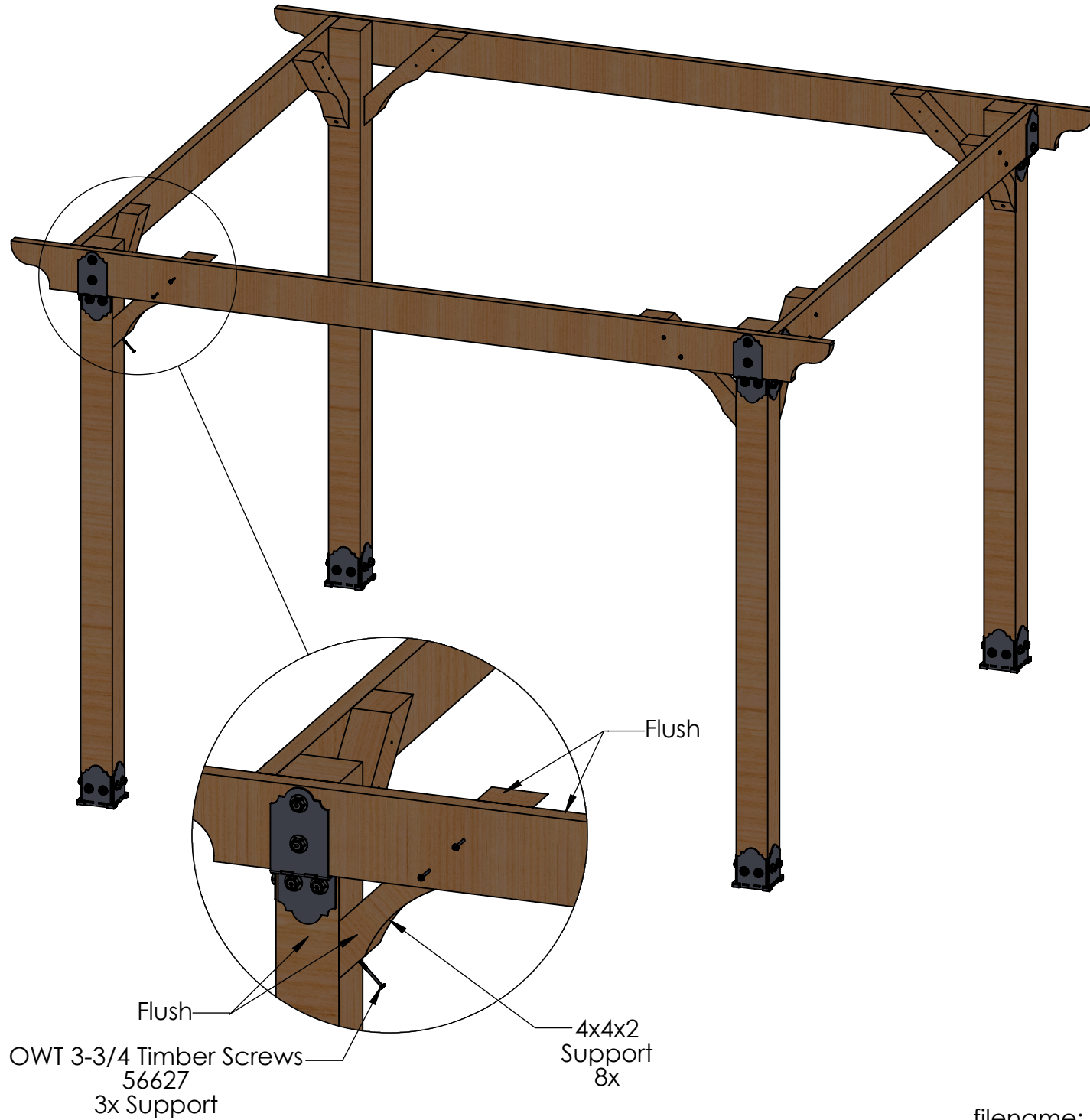
3



4

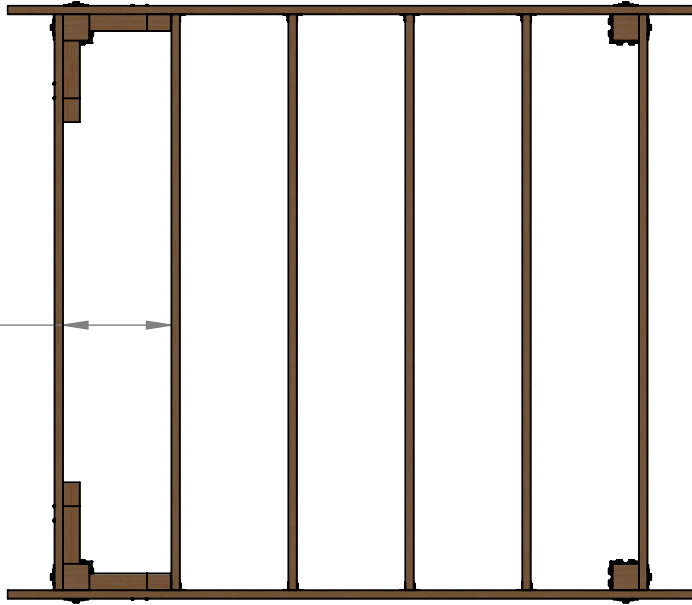


5



6

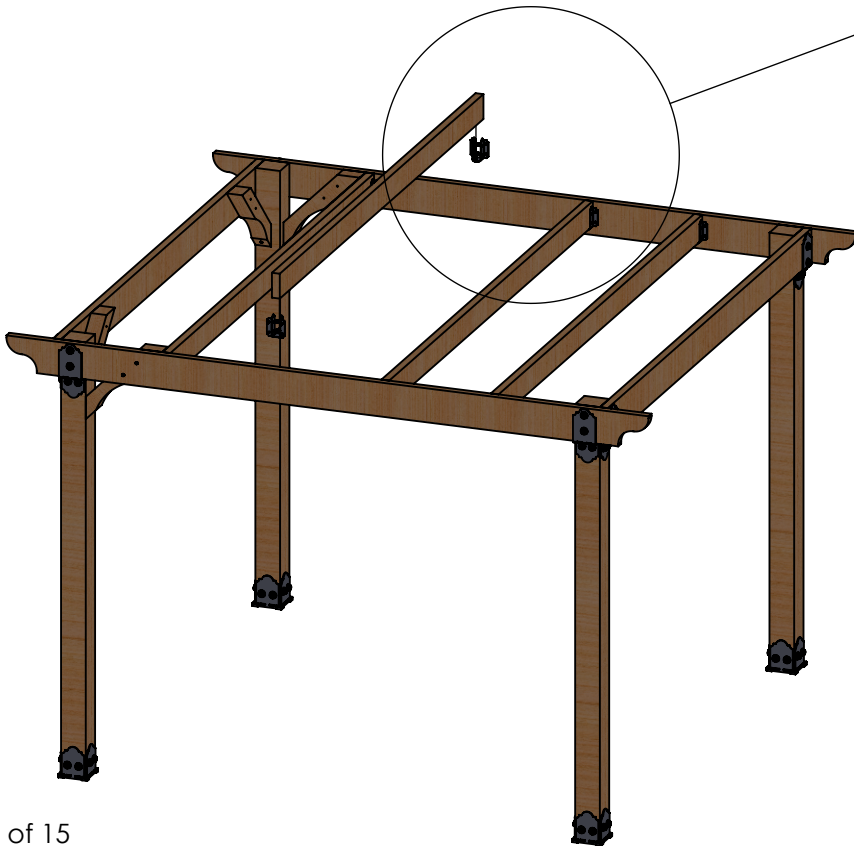
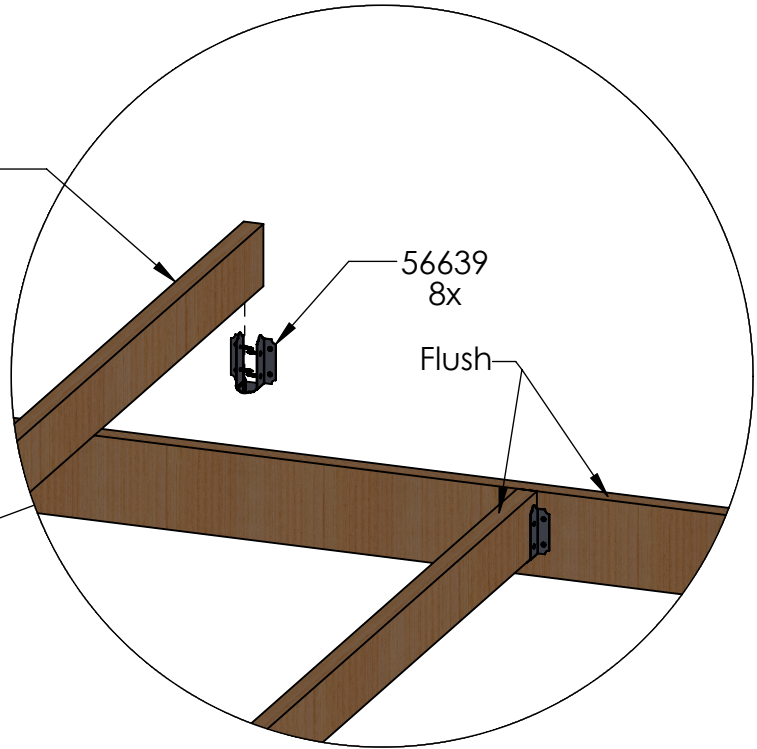
22  $\frac{5}{8}$ " typ



2x6x10  
4x

56639  
8x

Flush



# 7

