



177 643



Everbilt 54 in Ceiling Fan Owner's Manual

Everbilt

Ventilador de Techo de 1,37 m
Manual del Propietario





Congratulations on your purchase of a Hampton Bay ceiling fan. Your new fan will be a beautiful addition to your home, and will keep you comfortable throughout the year.

The Hampton Bay Fan Company offers a wide variety of ceiling fans. We offer combinations of wood and brass finishes, solid designer colors, and our unique glass and crystal designs.

A large selection of light fixtures and light kits is also available. Ask your dealer about other accessories that will allow you to further customize your fan.

We're certain that your Hampton Bay fan will provide you with many years of comfort, energy savings and satisfaction. To ensure your personal safety and to maximize the performance of your fan, please read this manual thoroughly.

Everbilt by Hampton Bay®

54 Everbilt

Ceiling Fan by Hampton Bay

Thank you for purchasing our ceiling fan. This product has been manufactured with the highest standards of safety and quality.

Date Purchased _____

Store Purchased _____

ETL Model No. 177 643

Serial No. _____

Vendor No. 219054

UPC 718212149287

Table of Contents

Safety Rules	1
Unpacking Your Fan	2
Installing Your Fan	3
Installing the Light Kit.	8
Operating Your Fan	9
Care of Your Fan	10
Troubleshooting	10
Specifications.	11
Warranty Information	12

Safety Rules - Read and Save These Instructions

1. To reduce the risk of electric shock, insure electricity has been turned off at the circuit breaker or fuse box before beginning.
2. All wiring must be in accordance with the National Electrical Code “ANSI/NFPA 70-1999” and local electrical codes. Electrical installation should be performed by a qualified licensed electrician.
3. **WARNING:** To reduce the risk of electrical shock or fire, do not use this fan with any solid-state fan speed control device. It will permanently damage the electronic circuitry.
4. **CAUTION:** To reduce the risk of personal injury, use only the screws provided with the outlet box.
5. The outlet box and support structure must be securely mounted and capable of reliably supporting a minimum of 35 pounds. Use only UL Listed outlet boxes marked “**FOR FAN SUPPORT**”.
6. The fan must be mounted with a minimum of 7 feet clearance from the trailing edge of the blades to the floor.
7. Avoid placing objects in path of the blades.
8. To avoid personal injury or damage to the fan and other items, be cautious when working around or cleaning the fan.
9. Do not use water or detergents when cleaning the fan or fan blades. A dry dust cloth or lightly dampened cloth will be suitable for most cleaning.

10. After making electrical connections, spliced conductors should be turned upward and pushed carefully up into outlet box. The wires should be spread apart with the grounded conductor and the equipment-grounding conductor on one side of the outlet box and ungrounded conductor on the other side of the outlet box.
11. All set screws must be checked and retightened where necessary before installation.

WARNING

TO REDUCE THE RISK OF PERSONAL INJURY, DO NOT BEND THE BLADE ARMS (ALSO REFERRED TO AS FLANGES), WHEN INSTALLING THE BRACKETS, BALANCING THE BLADES OR CLEANING THE FAN. DO NOT INSERT FOREIGN OBJECTS IN – BETWEEN ROTATING FAN BLADES.

WARNING

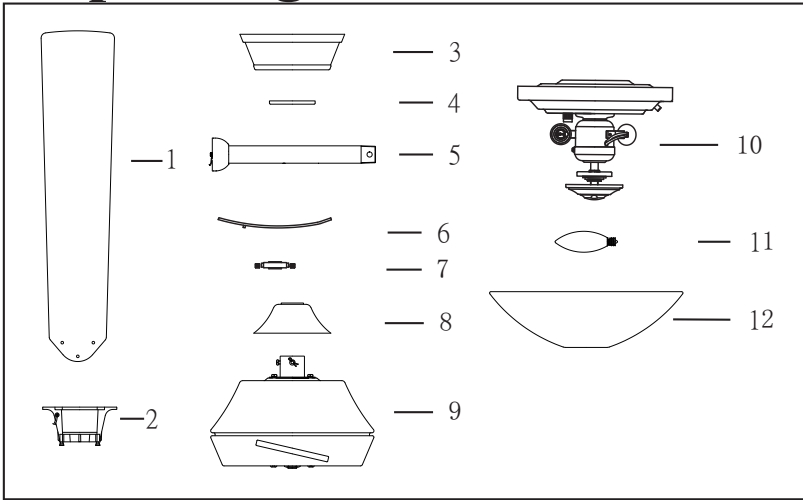
TO REDUCE THE RISK OF FIRE, ELECTRIC SHOCK OR PERSONAL INJURY, MOUNT FAN TO OUTLET BOX MARKED ACCEPTABLE FOR FAN SUPPORT WITH THE SCREWS PROVIDED WITH THE OUTLET BOX.

ATTENTION

FAN INCLUDES A 190W LIMITER TO COMPLY WITH THE DEPARTMENT OF ENERGY 2009 REGULATION. LAMPING THIS PRODUCT OVER 190W WILL CAUSE THIS FAN TO NOT LIGHT. PLEASE USE BULBS WITH A TOTAL WATTAGE UNDER THE 190W REGULATION.

Unpacking Your Fan

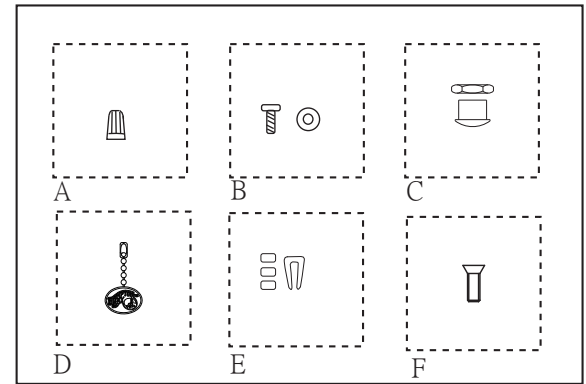
Unpack your fan and check the contents. You should have the following items:



Unpack your fan and check the contents. You should have the following items:

- | | |
|------------------------------|---------------------------|
| 1. Blades (5) | 10. Light kit assembly(1) |
| 2. Hanger bracket (1) | 11. Bulb (3) |
| 3. Canopy (1) | 12. Glass shade (1) |
| 4. Canopy cover (1) | |
| 5. Ball/downrod assembly (1) | |
| 6. Scroll (3) | |
| 7. Scroll bracket (1) | |
| 8. Coupling cover (1) | |
| 9. Fan motor assembly (1) | |

WARNING
DO NOT INSTALL OR USE FAN
IF ANY PART IS DAMAGED OR MISSING.
CALL TOLL FREE 1-800-527-0998



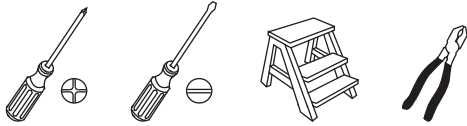
13

13. Loose parts bag containing:
- A. Mounting hardware
Plastic wire connectors (3pcs)
 - B. Blade attachment hardware
3/16"× 1/2" Screw(16pcs)
Fiber washer (16pcs)
 - C. Extra plug with nut (1)
 - D. Pull chain fob (2pcs)
 - E. Balancing kit (1)
 - F. Scroll hardware
5/32"*1/2"Screw(4pcs)

Installing Your Fan

Tools Required

Phillips screwdriver, straight slot screwdriver, step ladder and wire cutters.



Mounting Options

If there isn't an existing UL listed mounting box, then read the following instructions. Disconnect the power by removing fuses or turning off circuit breakers.

Secure the outlet box directly to the building structure. Use appropriate fasteners and building materials. The outlet box and its support must be able to fully support the moving weight of the fan (at least 35 lbs). Do not use plastic outlet boxes.

WARNING

TO REDUCE THE RISK OF FIRE, ELECTRIC SHOCK OR PERSONAL INJURY, MOUNT FAN ONLY TO AN OULET BOX MARKED ACCEPTABLE FOR FAN SUPPORT AND USE THE MOUNTING SCREWS PROVIDED WITH THE OULET BOX. OULET BOX COMMONLY USED FOR THE SUPPORT OF LIGHTING FIXTURE MAY NOT BE ACCEPTABLE FOR FAN SUPPORT AND MAY NEED TO BE REPLACED. CONSULT A QUALIFIED ELECTRICIAN IF IN DOUBT.

Figures 1~3 are examples of different ways to mount the outlet box.

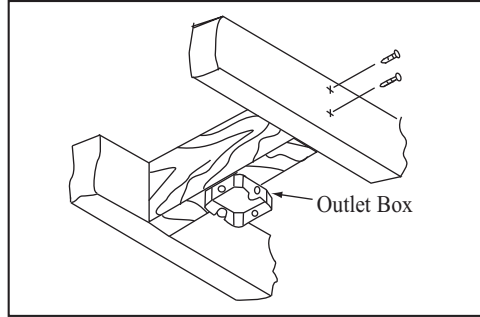


Figure 1

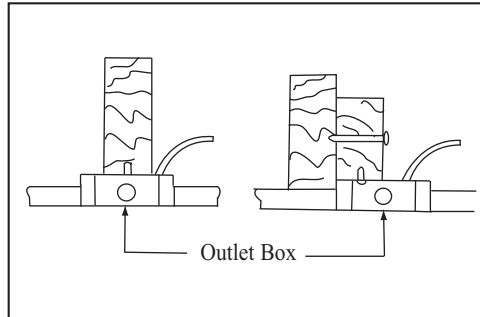


Figure 2

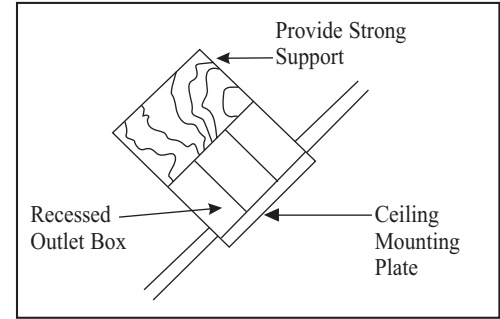


Figure 3

Note: You may need a longer downrod to maintain proper blade clearance when installing on a steep, sloped ceiling. The maximum angle allowable is 18°. If the canopy touches downrod, remove the decorative canopy bottom cover and turn the canopy 180° before attaching the canopy to the mounting plate.

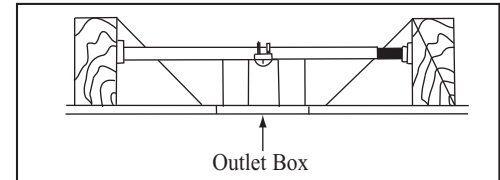


Figure 4

To hang your fan where there is an existing fixture but no ceiling joist, you may need an installation hanger bar as shown in Figure 4 (available at any Home Depot store).

Hanging the Fan

REMEMBER to turn off the power. Follow the steps below to hang your fan properly:

1. Secure the hanger bracket to the ceiling outlet box with the screws and washers provided with your outlet box. (Figure 5)
2. Loosen the two set screws and remove the hitch pin and lock pin from the motor assembly. (Figure 6)
3. Remove hanger ball from downrod assembly by loosening set screw, removing the cross pin, and sliding ball off rod. (Figure 7)

4. Carefully feed fan wires up through the downrod. (Figure 8) Thread the rod into the coupling. Next, line up holes and replace lock pin and hitch pin. Tighten set screws. (Figure 9)

5. Remove three set screws on the scroll bracket. Install the scroll to the scroll bracket by attaching screws previously removed. Do not tighten. Repeat the procedure for the other two scrolls. (Figure 9A)

6. Slip coupling cover, scroll assembly onto downrod. Secure scroll assembly to the motor housing by tightening three screws provided in loose bag into the motor housing. Tighten three screws removed in step 5. Secure the scroll assembly to the downrod by tightening the small set screw on the scroll bracket. (Figure 10)

7. Slip canopy cover and canopy onto downrod. (Figure 11) Carefully reinstall hanger ball onto downrod. Make sure that cross pin is in correct position, set screws are tighten and wires are not twisted.

8. Now lift motor assembly into position and place hanger ball into hanger bracket. Rotate until the check groove drops into the registration slot and seats firmly. (Figure 12) Downrod should not rotate if this is done correctly.

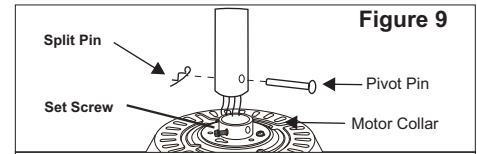


Figure 9

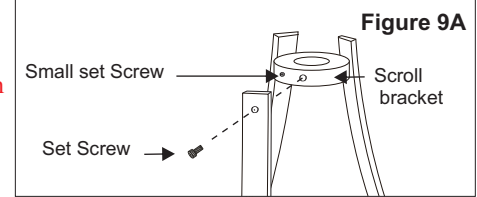


Figure 9A

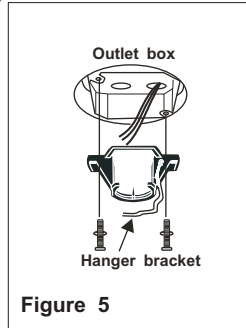


Figure 5

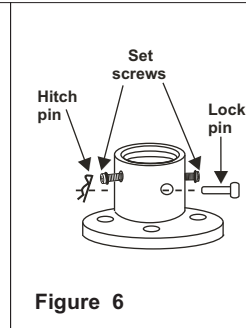


Figure 6

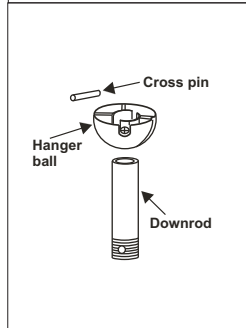


Figure 7

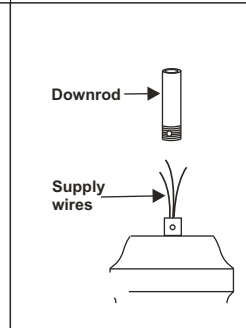


Figure 8

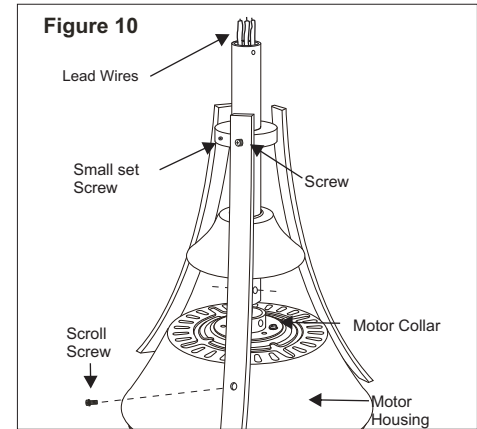


Figure 10

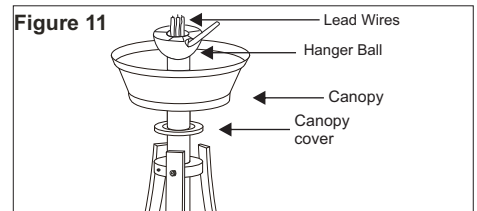


Figure 11

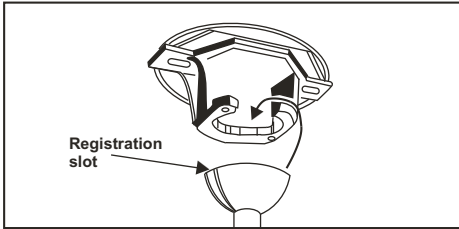


Figure 12

5. Turn the connecting nuts upward and push the wiring into the outlet box. Figures 14 and Figures 15 illustrate the wiring connections for optional wall control (available at your Hampton Bay Retailer, the wire color out of wall control may vary, see wall control's installation manual for correct wire connections)

NOTE

LIGHT KITS ARE AVAILABLE AT YOU HAMPTON BAY RETAILER. THE FAN IS ALREADY WIRED TO SUPPORT THE LIGHT KIT OPTION.

WARNING

TO REDUCE THE RISK OF FIRE, ELECTRIC SHOCK, OR OTHER PERSONAL INJURY. MOUNT FAN ONLY ON AN OUTLET BOX OR SUPPORTING SYSTEM MARKED ACCEPTABLE FOR FAN SUPPORT.

TO REDUCE THE RISK OF FIRE OR ELECTRIC SHOCK. DO NOT USE THIS FAN WITH ANY SOLID-STATE SPEED CONTROL DEVICE.

Making the Electrical Connections

Remember to shut off the power. Follow the steps below to connect the fan to your household wiring. Use the wire connecting nuts supplied with your fan. Secure the connectors with electrical tape.

1. Connect the fan supply (black) wire and light supply (blue) wire to the black household supply wire. (Figure 13)
2. Connect the neutral fan (white) wire to the white neutral household wire. (Figure 12)
3. Connect the fan ground wire (green) to the household ground wire. (Figure 13)
4. After connecting the wires, spread them apart so that the green and white wires are on one side of the outlet box and the black and the blue wires are on the other side.

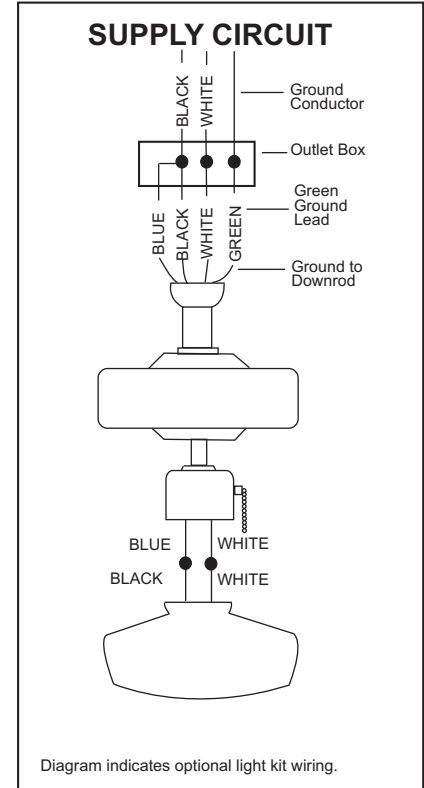


Figure 13

Diagram indicates optional light kit wiring.

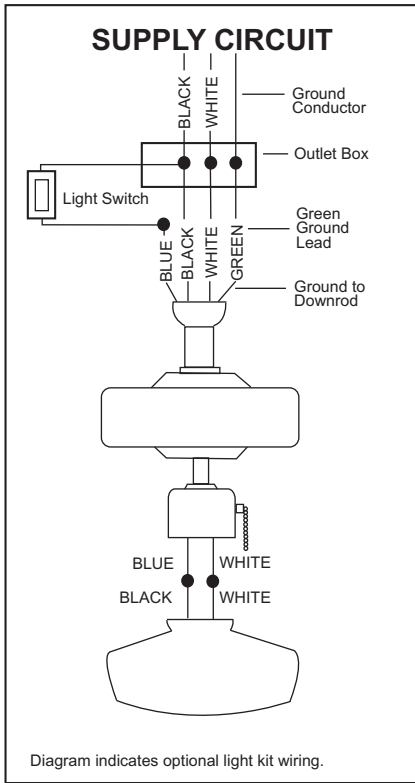


Figure 14

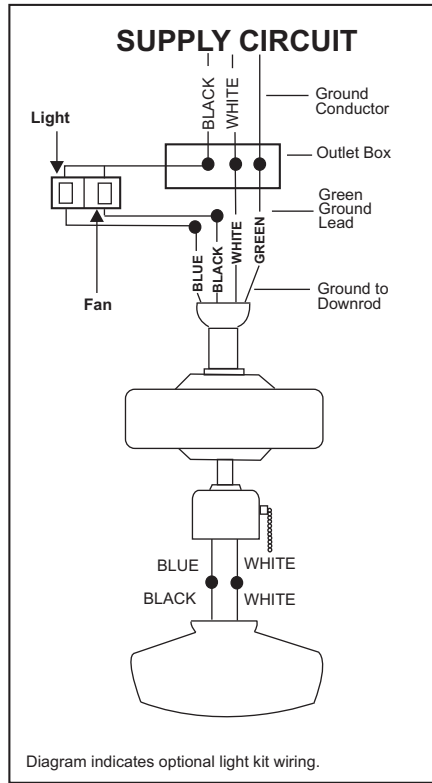


Figure 15

Finishing the Installation

1. Tuck connections neatly into ceiling outlet box.
2. Remove one screw from the hanger bracket and loosen the other screw around 1/4".
3. Align the canopy up to ceiling and over the loose screw. Place the canopy into key hole and rotate canopy clockwise. (Figure 16)
4. Secure the canopy by use previous removed screw.
5. Place the canopy cover to the canopy and rotate canopy cover clockwise until it is locked into right position. (Figure 16)

WARNING

MAKE SURE TAB AT BOTTOM OF HANGER BRACKET IS PROPERLY SEATED IN GROOVE OF HANGER BALL BEFORE ATTACHING CANOPY TO BRACKET. FAILURE TO PROPERLY SEAT TAB IN GROOVE COULD CAUSE DAMAGE TO ELECTRICAL WIRING.

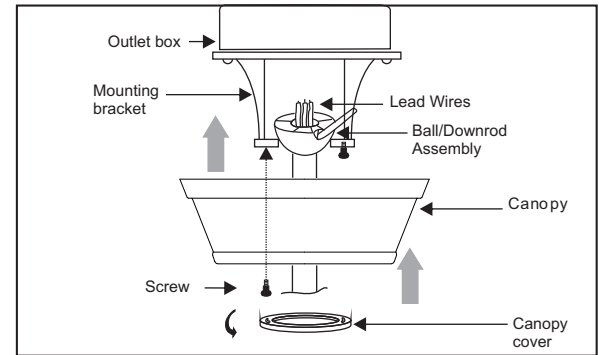


Figure 16

Attaching the Fan Blades

1. Attach the fan blades to the motor assembly using the screws and fiber washer provided, tighten screws securely.(Figure 17)
2. Align motor holes to blade and secure with screws provided, tighten screws securely. Repeat procedure with remaining blades. (Figure 17)

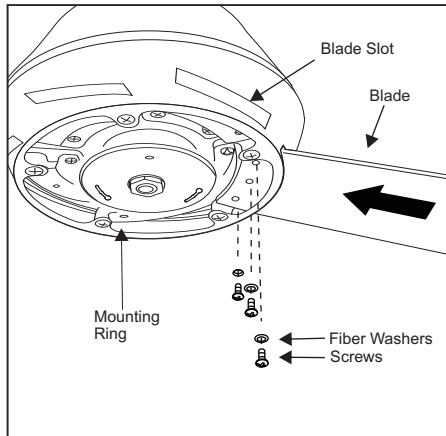


Figure 17

Blade balancing

The following procedure should correct most fan wobble. Check after each step.

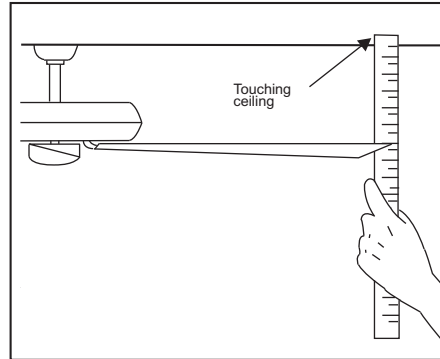


Figure 18

1. Check that all blades and blade holder screws are secure.
2. Most fan wobble problems are caused when blade levels are unequal. Check this level by selecting a point on the ceiling above the tip of one of the blades. Measure this distance as shown in Figure 18. Rotate the fan until the next blade is positioned for measurement. Repeat for each blade. The distance should be equal within 1/8". Run the fan for 10 Minutes.
3. Use the enclosed Blade Balancing Kit if the blade wobble is still noticeable.

Installing the light kit

REMEMBER to disconnect the power. The fan blades must already be attached to the fan.

Your fan and light kit though pre-wired have been disassembled at the factory to ease in shipping. Please follow these steps to complete the installation of your fan and light. **TO REDUCE THE RISK OF FIRE DO NOT EXCEED MAXIMUM WATTAGE RATING.**

ATTENTION: The Energy Policy Act of 2005 requires this fan to be equipped with a 190 watt limiting device. If lamping exceeds 190 watts, the ceiling fan's light kit will shut off automatically.

1. Remove 1 of 3 screws on the mounting ring and loosen other 2 screws. (Do not remove)

2. Remove the switch cover from the light kit by removing four screws from the light kit. Place the key holes on the switch cover over the 2 screws previously loosened from the mounting ring, turn switch cover until it locks in place at the narrow section of the key holes. Secure by tightening the 2 screws previously loosened and the one previously removed. (Figure 19)

4. Connect the connectors from the light kit and fan. (Figure 19)

5. Lift the light kit to the mounting plate, align the key holes and tighten 4 screws previously removed.

6. Place the 3 bulbs (40 Watt, included) into the Light kits.(Figure 20)

7. Remove the two washers, metal nut, metal cap and finial from the light kit.

8. Install the glass shade, along with 2 washers previously removed, twist with the metal nut; install the metal cap, then twist the finial securely. (Figure 20)

9. Restore power and your ceiling fan is ready for operations.

NOTE:

LIGHT BULB HAVE NO WARRANTY, CAN BE PURCHASED AT LOCAL LIGHT BULB SPECIALTY STORE OR FROM OUR SERVICE CENTER.

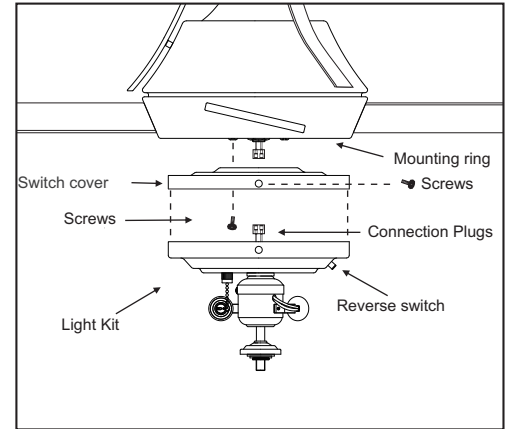


Figure 19

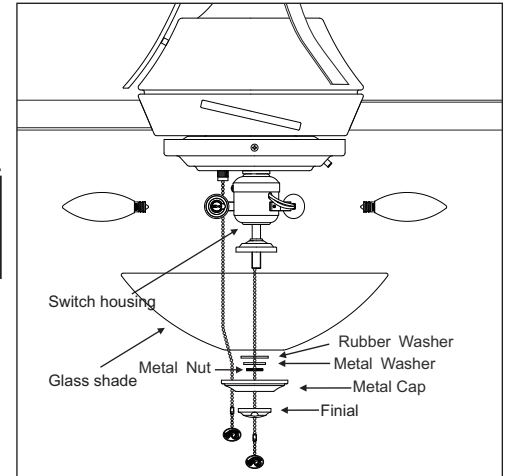


Figure 20

Operating your fan

NOTE

WAIT FOR FAN TO STOP BEFORE CHANGING THE SETTING OF THE SLIDE SWITCH.

Turn on the power and check the operation of your fan. There are three pull chains available in your fan:

1. 3-speed Pull chain-it controls the fan speed as follows: 1 pull- High, 2 pulls- Medium, 3 pulls- Low, and 4 pulls- Off.

Speed settings for warm or cool weather depend on factors such as the room size, ceiling height, number of fans, and so on.

2. Light kit pull chain-it controls the light kit in "ON" or "OFF".

The slide switch controls directions: forward (switch left) or reverse (switch right).

Warm weather - (Counter-Clockwise direction) A downward air flow creates a cooling effect.(Fig. 21) This allows you to set your air conditioner on a higher setting without affecting your comfort.

Cool weather - (Clockwise direction) An upward airflow moves warm air off the ceiling area. (Fig. 22) This allows you to set your heating unit on a lower setting without affecting your comfort.

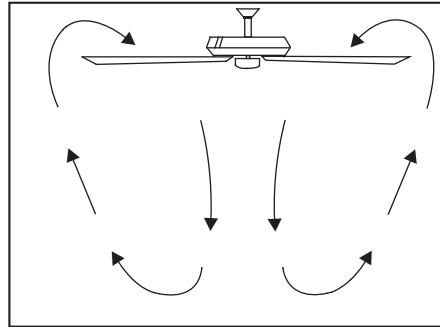


Figure 21

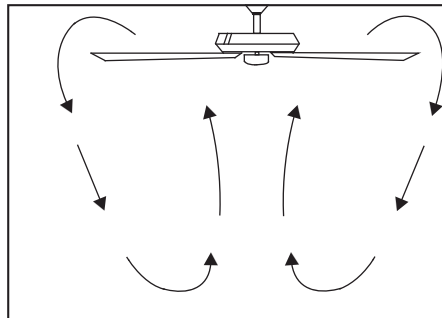


Figure 22

Care of Your Fan Troubleshooting

Here are some suggestions to help you maintain your fan.

1. Because of the fan's natural movement, some connections may become loose. Check the support connections, brackets, and blade attachments twice a year. Make sure they are secure. (It is not necessary to remove fan from ceiling.)
2. Clean your fan periodically to help maintain its new appearance over the years. Do not use water when cleaning. Use only a soft brush or lint-free cloth to avoid scratching the finish. The plating is sealed with a lacquer to minimize discoloration or tarnishing. Do not use water when cleaning. This could damage the motor, or the wood, or possibly cause an electrical shock.
3. You can apply a light coat of furniture polish to the wood blades for additional protection and enhanced beauty. Cover small scratches with a light application of shoe polish.
4. There is no need to oil your fan. The motor has permanently lubricated sealed ball bearings. 1.2.3.4.

For any additional information on your Hampton Bay Ceiling Fan, please write to:

THE HAMPTON BAY FAN & LIGHTING CO.
P. O. Box 395
Norco, CA 92860

CALL TOLL FREE 1-800-527-0998

PROBLEM SOLUTION

Fan will not start

1. Check main and branch circuit fuses or breakers.
2. Check line wire connections to the fan and switch wire connections in the switch housing.
3. Check to make sure the dip switches from the transmitter and receiver are set to the same frequency.

Fan sounds noisy

1. Make sure all motor housing screws are snug.
2. Make sure the screws that attach the fan blade bracket to the motor hub is tight.
3. Make sure wire nut connections are not rattling against each other or the interior wall of the switch housing.
4. Allow a 24-hour "breaking-in" period. Most noises associated with a new fan disappear during this time.
5. If using ceiling fan light kit, make sure the screws securing the glassware are tight. Check the light bulb is also secure.
6. Make sure there is a short distance from the ceiling to the canopy. It should not touch the ceiling.
7. Make sure your ceiling box is secure and rubber isolator pads are used between mounting bracket and outlet box.

Lights shut off and will not come back on.

1. This unit is equipped with a wattage limiting device. Lamping in excess of 190 watts will disable your ceiling fan's light kit. To reset your light kit you must turn the power off and relamp, keeping the wattage under 190 watts. Restore power to your ceiling fan and continue normal operation.

Remote control

1. Do not connect the fan with a wall mounted variable speed control(s).
2. Make sure the dip switches are set correctly.

WARNING

MAKE SURE THE POWER IS OFF AT THE ELECTRICAL PANEL BOX BEFORE YOU ATTEMPT ANY REPAIRS. REFER TO THE SECTION, "MAKING ELECTRICAL CONNECTIONS".

Specifications

FAN SIZE	SPEED	VOLTS	AMPS	WATTS	RPM	CFM	N.W.	G.W.	C.F.
54" (1,37 m)	LOW	120	0.22	10.2	60	1705	9.4kgs 20.68lbs	11kgs 24.2lbs	1.88'
	MED		0.392	32.2	112	3570			
	HIGH		0.535	63.8	160	5172			

These are approximate measures. They do not include Amps and Wattage used by the light kit.

Distributed by
 Your Other Warehouse,
 LLC 12100 Little Cayman
 Dr. Baton Rouge, LA 70809

Lifetime Limited Warranty

(lifetime warranty on motor)

The Hampton Bay warrants the fan motor to be free from defects in workmanship and material present at time of shipment from the factory for a period of lifetime after the date of purchase by the original purchaser. Hampton Bay also warrants that all other fan parts, excluding any glass or acrylic blades, to be free from defects in workmanship and material at the time of shipment from the factory for a period of one year after the date of purchase by the original purchaser. We agree to correct such defects without charge or at our option replace with a comparable or superior model if the product is returned to Hampton Bay. To obtain warranty service, you must present a copy of the receipt as proof of purchase. All costs of removing and reinstalling the product are your responsibility. Damage to any part such as by accident or misuse or improper installation or by affixing any accessories, is not covered by this warranty. Because of varying climatic conditions this warranty does not cover any changes in brass finish, including rusting, pitting, corroding, tarnishing or peeling. Brass finishes of this type give their longest useful life when protected from varying weather conditions. A certain amount of “wobble” is normal and should not be considered a defect. Servicing performed by unauthorized persons shall render the warranty invalid. There is no other express warranty. Hampton Bay hereby disclaims any and all warranties, including but not limited to. Those of merchantability and fitness for a particular purpose to the extent permitted by law. The duration of any implied warranty which cannot be disclaimed is limited to the time period as specified in the express warranty. Some states do not allow limitation on how long an implied warranty lasts, so the above limitation may not apply to you. The retailer shall not be liable for incidental, consequential, or special damages arising out of or in connection with product use or performance except as may otherwise be accorded by law. Some states do not allow the exclusion of incidental or consequential damages, so the above exclusion or limitation may not apply to you. This warranty gives specific legal rights, and you may also have other rights which vary from state to state. This warranty supersedes all prior warranties. Shipping costs for any return of product as part of a claim on the warranty must be paid by the customer.

You must present a copy of the original purchase receipt to obtain warranty service.

For any additional information on your Hampton Bay Ceiling Fan, please write to:

THE HAMPTON BAY FAN &
LIGHTING CO.
P. O. Box 395
Norco, CA 92860

Attach receipt here for easy
location