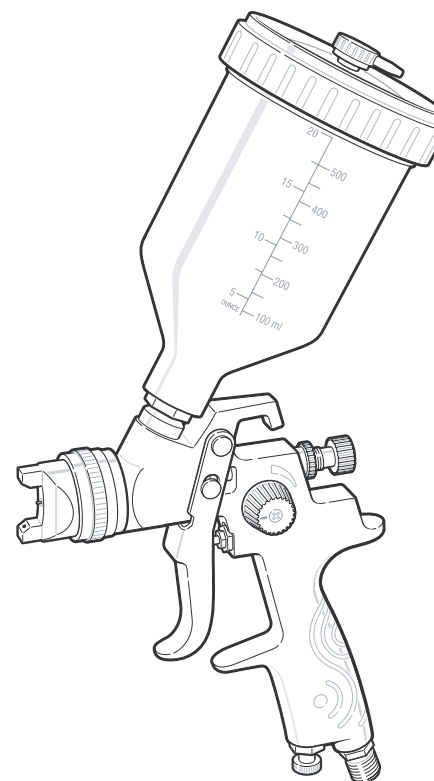


COMPONENT
#691307

Kawasaki™

HVLP GRAVITY FEED SPRAY GUN AND CUP INSTRUCTION MANUAL



THIS MANUAL CONTAINS IMPORTANT INFORMATION REGARDING SAFETY, OPERATION, MAINTENANCE AND STORAGE OF THIS PRODUCT. BEFORE USE, READ CAREFULLY AND UNDERSTAND ALL CAUTIONS, WARNINGS, INSTRUCTIONS AND PRODUCT LABELS. FAILURE TO DO SO COULD RESULT IN SERIOUS PERSONAL INJURY AND/OR PROPERTY DAMAGE.

IF YOU SHOULD HAVE ANY QUESTIONS OR EXPERIENCE A PROBLEM WITH YOUR ALLTRADE PRODUCT, DO NOT RETURN THIS PRODUCT TO THE STORE. PLEASE CALL OUR CUSTOMER SERVICE DEPARTMENT AT **1-800-590-3723**. BEFORE YOU CALL, HAVE THE FOLLOWING INFORMATION AVAILABLE: MODEL No., DATE PURCHASED AND STORE LOCATION. AN ALLTRADE REPRESENTATIVE CAN RESOLVE YOUR PROBLEM OVER THE PHONE. IF YOU WOULD LIKE TO MAKE A SUGGESTION OR COMMENT, GIVE US A CALL OR EMAIL US AT: INFO@ALLTRADETOOLS.COM. YOUR FEEDBACK IS VITAL TO US.



87-1904-60957

KAWASAKI™ IS A TRADEMARK LICENSED BY KAWASAKI™ MOTORS CORP., U.S.A., WHICH DOES NOT MANUFACTURE OR DISTRIBUTE THIS PRODUCT. CONSUMER INQUIRES SHOULD BE DIRECTED TO:

©COPYRIGHT 2008 ALLTRADE TOOLS, LLC.
1431 VIA PLATA
LONG BEACH, CA 90810-1462 USA
691307 - HVLP Gravity Feed Spray Gun and Cup_Rev 8/24/08

**FOR CUSTOMER SERVICE
POUR LE SERVICE APRÈS VENTE
OU DU CONSOMMATEUR**

**PARA EL SERVICIO
PARA EL CONSUMIDOR**

1-800-590-3723

Printed in China

TABLE OF CONTENTS

INTRODUCTION	2
SAFETY ALERT	2
RECOGNIZE SAFETY SYMBOLS, WORDS AND LABELS	2-3
IMPORTANT SAFEGUARDS	3
UNPACKING & INSPECTION	3-4
SAFETY WARNINGS	4-5
GENERAL SAFETY WARNINGS	4-5
SERVICE	5
SAFETY RULES FOR SPRAY GUNS	6-7
INSTALLATION AND LOCATION	8
FUNCTIONAL DESCRIPTION	8
OPERATING THE SPRAY GUN	8-11
PREPARATION AND ASSEMBLY	10
ADJUSTMENTS	10
OPERATION	10-11
MAINTENANCE	11-13
CLEANING	12
LUBRICATION	12-13
TROUBLESHOOTING GUIDE	13-14
PARTS DIAGRAM	15
PARTS LIST	15-17
SPECIFICATIONS	17
LIMITED WARRANTY	18-20

CONGRATULATIONS!

Thanks for choosing this product. At Alltrade, our aim is to provide you with quality products at an affordable price, and we want you to be totally satisfied with your product and our Customer Service. If any help and advice is needed, please contact us at 1-800-590-3723. Properly cared for, this product will give you many years of satisfaction.

DESCRIPTION:


HVLP (High volume low pressure) spray gun supply 10 psi low pressure through the air cap which make the spraying softer, easily controlled and less overspray in high transfer efficiency. Includes adjustable fluid, pattern and air controls. Designed to provide equal atomization and particle size for all kinds of surface painting. Stainless steel needle and nozzle accommodate a variety of coatings. Precise air cap set. Lightweight, ergonomic design and easy trigger pivot reduce operating fatigue.

INTRODUCTION

This Spray Gun is designed for Household Use Only and is not intended for commercial applications. It is well suited for do-it-yourselfers with a variety of home uses.

This instruction manual is intended for your benefit. Please read and follow the safety, installation, maintenance and troubleshooting steps described within to ensure your safety and satisfaction. The contents of this instruction manual are based upon the latest product information available at the time of publication. The manufacturer reserves the right to make product changes at any time without notice.

SAFETY ALERT

 **WARNING** Read and understand this entire instruction manual before attempting to assemble, install, operate or maintain this Spray Gun. Failure to comply with the instructions may result in serious personal injury and/or property damage!

SAVE THESE INSTRUCTIONS FOR FUTURE REFERENCE.

RECOGNIZE SAFETY SYMBOLS, WORDS AND LABELS

The safety instructions provided in this manual are not intended to cover all possible conditions and practices that may occur when operating, maintaining and cleaning power equipment.

Always use common sense and pay particular attention to all the **DANGER**, **WARNING**, **CAUTION** and **NOTE** statements of this manual.



This is the safety alert symbol. It is used to alert you to potential personal injury hazards. Obey all safety messages that follow this symbol to avoid possible injury or death.

 **DANGER**

DANGER indicates an imminently hazardous situation which, if not avoided, will result in death or serious injury.

 **WARNING**

WARNING indicates a potentially hazardous situation which, if not avoided, could result in death or serious injury.

⚠ CAUTION

CAUTION indicates a potentially hazardous situation which, if not avoided, may result in minor or moderate injury.

CAUTION

CAUTION used without the safety alert symbol indicates a potentially hazardous situation which, if not avoided, may result in property damage.

NOTE

NOTE provides additional information that is useful for proper use and maintenance of this tool. If a NOTE is indicated make sure it is fully understood.

IMPORTANT SAFEGUARDS

⚠ WARNING

Some dust created by spraying, blowing, power sanding, sawing, grinding, drilling and other construction activities contains chemicals known to the State of California to cause cancer, birth defects or other reproductive harm.

Reduce your exposure to these chemicals by wearing approved safety equipment such as dust masks that are designed to filter out microscopic particles.

Use of this product will expose you to chemicals known to the State of California to cause cancer, birth defects, and reproductive harm. **AVOID INHALING VAPORS AND DUST. WASH HANDS AFTER USING.**

This product contains chemicals, including lead, known to the State of California to cause cancer, birth defects, and reproductive harm. **WASH HANDS AFTER HANDLING.**

UNPACKING & INSPECTION

After opening the carton, unpack your new Spray Gun and related parts & accessories. Please inspect it carefully for any damage that may have occurred during transit. Please check it against the photograph on carton. If any parts are missing, please contact our Consumer Helpline: Phone: 1-800-590-3723 E-Mail: info@alltradetools.com

⚠ WARNING

Do not operate this Spray Gun if damaged during shipment, handling or misuse. Damage may result in bursting, which can cause serious injury or property damage. All damaged parts must be repaired or replaced as needed prior to operating this Spray Gun.

Check to see that all nuts, bolts and fittings are secure before putting this Spray Gun into service. If you have any questions, or require assistance with damaged or missing parts, please contact our Consumer Helpline:

Phone: 1-800-590-3723

E-Mail: info@alltradetools.com

SAFETY WARNINGS

READ ALL SAFETY WARNINGS BEFORE USING SPRAY GUN.

GENERAL SAFETY WARNINGS

⚠ WARNING

Keep work area clean. Messy areas and cluttered workbenches invite personal injury and/or property damage.

Keep children and visitors away. All children should be kept away from the work area. DO NOT let children handle the compressor or extension cord. Maintain a safe distance for any person near the work area.

Operating any tools or equipment under the influence of drugs, alcohol, or medication can cause personal injury to yourself and others.

Wear proper apparel. Remove your jewelry before using this tool. Do not wear loose clothing, necklaces, rings, bracelets, or other jewelry, which may get caught in moving parts. Nonskid footwear and electrically non-conductive gloves are highly suggested while working. Wear protective hair covering to contain long hair.

Protect your eyes. The operation of this tool can result in foreign objects being thrown into the eyes, which can result in severe eye damage. Always wear eye protection that meets ANSI Z28.1 specifications during tool operation. Eyeglasses are not always safety glasses.

Be responsible for your hearing. Wear hearing protection during extended periods of operation.

⚠ WARNING

Use the right tool. Use tools properly and for their intended task. Do not force a small tool to do the job of a heavy-duty tool. Using the right tool to do the right job will make doing the job safer.

Check damaged parts before use of any air tools or attachments. A guard or other part that is damaged should be carefully checked to ensure that it will operate properly and perform its intended function. Check for misalignment or binding of moving parts, breakage of parts, mounting, or any other conditions that may affect tool operation. A guard or other part that is damaged should be properly replaced. See replacement parts list for additional details.

Do not overreach. Proper footing and balance is a must at all times while using tools. Unstable support may lead to personal injury. Slipping, tripping and falling can be a major cause of serious injury or death. Be aware of excess hose left on the walking or work surface.

When using air accessories, consult the owner's manual provided by the manufacturer. The use of improper accessories may cause risk of injury to yourself and others.

Always make sure the tool is disconnected from air source when making adjustments, changing parts, or performing any maintenance. Do not abuse hoses or connectors.

Never carry tool by the hose or pull on it to disconnect from air source.

Keep hoses from heat, oil and sharp edges. Check hoses for weak or worn condition before each use, making certain that all connections are secure.

Secure work. When possible, the use of clamps or a holding device is much safer than holding the work piece with your hands.

Keep protective guards in place and in proper working condition.

Maintain tools and equipment with care. They will function better and more safely when kept clean and in good working condition. Keeping the tool clean, dry, and free of grime will add to its life and performance.

Childproof the workshop. The use of master switches and padlocks is highly recommended. Remove starter keys where applicable.

SERVICE

⚠ CAUTION

Tool service must be performed only by qualified repair personnel. Service or maintenance by unqualified personnel may result in a risk of injury.

When servicing a tool, use only identical replacement parts. Follow instructions in the Maintenance section of this manual. Use of unauthorized parts or failure to follow Maintenance Instructions may create a risk of electric shock or injury.

SAFETY RULES FOR SPRAY GUNS

⚠ WARNING

RISK TO BREATHING

- Spray materials may be harmful if inhaled, or if there is contact with the skin. Adequate exhaust must be provided to keep the air free of accumulations of toxic materials. For toxic vapors produced by spraying certain materials can create intoxication and serious damage to health. Always wear safety glasses, gloves and respirator to prevent the toxic vapor hazard, solvent and pointing paint coming into contact your eyes or skin.
- Operate the Spray Gun in a well-ventilated area. Read and follow all safety instructions for the material you are spraying. Be sure to use an approved respirator designed for use with your specific application.

RISK OF FIRE OR EXPLOSION

- Avoid dangerous environments. Do not spray combustible/flammable liquid in a confined area. Spray area must be well ventilated. Do not smoke while spraying or spray where spark or flame is present. Do not use Spray Gun near gasoline or other flammable materials. Operate the Spray Gun in a well-ventilated area. Never use oxygen, combustible or other bottled gas as an air source. This could cause explosion and serious personal injury. Fluid and solvent can be highly flammable or combustible. Read and follow all safety instructions for the material you are spraying. Be sure to use an approved respirator designed for use with your specific application.
- Fire extinguishing equipment must be present in the spray area.

RISK OF INJURY

- Air under pressure can cause severe injury. Always shut off air supply, drain hose of air pressure and disconnect tool from air supply when not in use and before changing accessories or when making repairs. Never direct air at yourself or anyone else. Whipping hoses can cause serious injury. Always check for damaged or loose hoses and fittings. Never use quick-change couplings at tool. They add weight and could fail due to vibration. Instead, add a hose whip and connect coupling between air supply and hose whip, between hose whip and leader hose whip, or between hose whip and leader hose. Do not exceed **MAXIMUM AIR PRESSURE**. Use clean, dry and regulated compressed air. Never exceed maximum permissive operating pressure. Always use tool a safe distance from other people in work area.

⚠ WARNING

- Maintain tools with care. Keep tools clean and oiled for best and safest performance. Follow instructions for lubricating and changing accessories. Wiping or cleaning rags and other flammable waste materials must be placed in a tightly closed metal container and disposed of later in the proper fashion. Do not direct paint stream at body. Use eye protection. Disconnect tool from air supply hose before doing tool maintenance and during non-operation. For emergency stopping and prevention of unintended operation, a ball valve near the gun to air supply is recommended.
- Repetitive work motions, awkward positions and exposure vibration can be harmful to hands and arms.

RISK OF BURNS

Never use homogenated hydrocarbon solvent, which can chemically react with aluminum and zinc parts.

RISK OF FLYING OBJECTS

Do not direct paint stream at people or pets. During cleaning and flushing, solvents can be forcefully expelled from fluid and air passages. Some solvents can cause eye injury. Be sure user and bystanders in the area are wearing impact resistant eye and face protection. Even small projectiles can injure eyes and cause blindness. Before operating the tool, make sure all the screws & caps are securely tightened in case of leaking. Before painting, inspect the Spray Gun for free movement of trigger and nozzle to insure tool can operate well. Never modify this tool for any other applications. Only use parts, nozzles and accessories recommended by manufactures. The powerful compressed paint stream can damage exposed skin and easily propel loose dirt and other small objects at high-speed, resulting in serious injury. Always wear eye protection that meets ANSI Z28.1 specifications. Never leave a Spray Gun unattended. Shut OFF Spray Gun and relieve pressure before performing maintenance or repairs.

AIR TOOLS AND ACCESSORIES

Do not exceed the pressure rating of any air tools, spray guns, air accessories, or inflatables. Excess pressure can cause them to explode, resulting in serious injury. Follow the manufacturers recommended pressure settings for all air tools and air accessories.

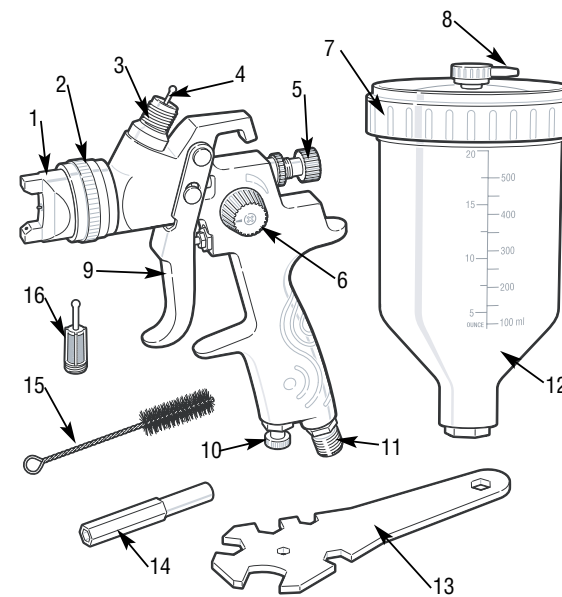
INSTALLATION AND LOCATION

⚠ CAUTION

DO NOT place Spray Gun in an area:

- Where there is evidence of oil or gas leaks.
- Where flammable gas vapors or materials may be present.
- Where air temperatures fall below 32°F or exceed 104°F.

FUNCTIONAL DESCRIPTION



CONTROLS AND COMPONENTS:

1. Air Cap
2. Air Cap Nut
3. Cup Connector
4. Filter
5. Fluid Control Knob
6. Spray Pattern Adjustment Knob
7. Cup Cover
8. Air Release Plug
9. Trigger
10. Air Volume Control Knob
11. Air Inlet Coupling
12. Cup
13. Wrench
14. Socket Wrench
15. Brush
16. Extra Filter

OPERATING THE SPRAY GUN

⚠ WARNING

Never aim or spray at yourself or anybody else which would cause serious injury.

PREPARATION AND ASSEMBLY

1. After unpacking the product, inspect carefully for any damage that may have occurred during transit. Make sure to tighten fittings, bolts, etc., before putting unit into service. Tighten the gun to the cup securely using the connector with filter inside.
2. Thoroughly mix and thin paint in accordance with the paint manufacturer's instructions. Most materials will spray readily if thinned properly.
3. Strain material through filter, cheese cloth or a paint strainer.
4. Tighten the gun to the cup securely using the connector with filter inside.
5. Fill the cup about 3/4 full and start the air compressor.

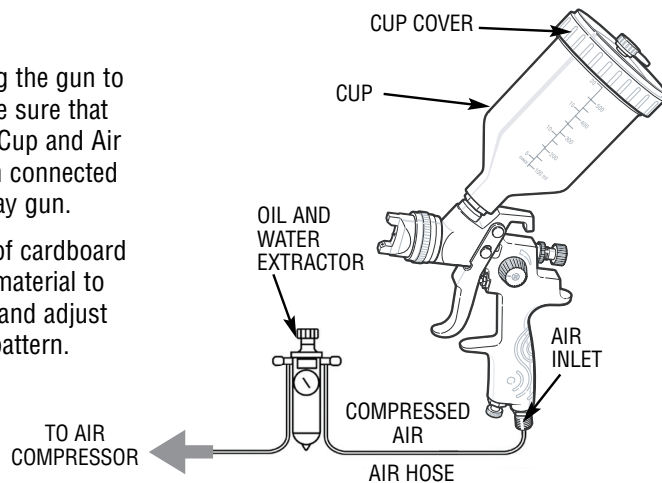
⚠ WARNING

DO NOT EXCEED Maximum Pressure of Spray Gun or any other parts in the compressor system.

Maximum pressure is 50 PSI. Consult with the paint manufacturer for recommended air pressure.

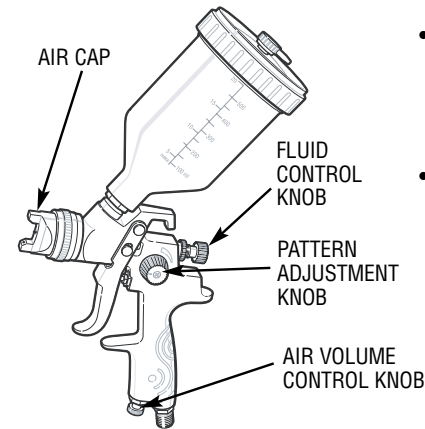
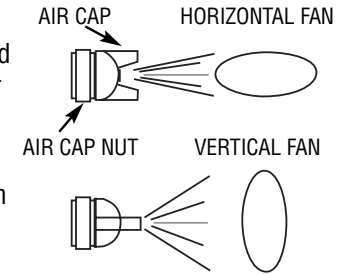
Some Regulatory Agencies prohibit the operation of HVLP spray guns above 10 PSI nozzle atomizing pressure.

6. After connecting the gun to air supply, make sure that the Cup Cover, Cup and Air Hose have been connected tightly with spray gun.
7. Set up a piece of cardboard or other scrap material to use as a target and adjust for best spray pattern.



ADJUSTMENTS

- The direction of the fan (horizontal or vertical) can be changed by loosening the Air Cap Nut and turning the **Air Cap** 90 degrees. Hand tighten Air Cap Nut after adjustment.
- Amount of material released (density of “fan spray”) is controlled by **Fluid Control Knob**. Turn knob counterclockwise to increase, or clockwise to decrease, the fluid flow.



- Width of “fan spray” is governed by **Pattern Adjustment Knob**. Turn knob counterclockwise to increase, or clockwise to decrease, air flow.
- Air quantity is controlled by **Air Volume Control Knob**. Turn knob counterclockwise to increase, or clockwise to decrease, the air flow.

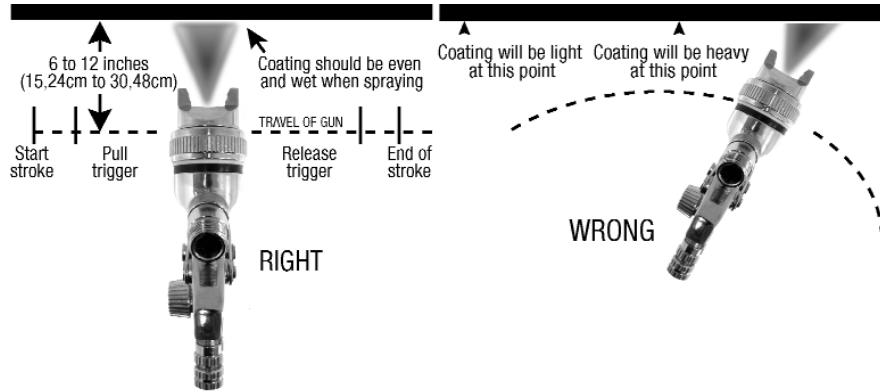
- Test the consistency of the material by making a few strokes on a cardboard target. If material still appears too thick, add a small amount of thinner. **THIN WITH CARE!** Do not exceed paint manufacturer's thinning recommendations.

OPERATION

1. Begin spraying. Always keep the gun perpendicular to the work.
2. Keep the nozzle about 6 to 12 inches from the work surface. Grip the gun perpendicular to the spraying area, then move it parallel several times. Stopping the gun movement in mid-stroke will cause a build up of paint and result in runs. Do not fan the gun from side to side while painting. This will cause a build up of paint in the center of the stroke and insufficient coating at each end.
3. If spray is too fine, then decrease the air pressure or open fluid control knob. If the spray is too thick, then close the fluid control knob. Regulate the pattern width and repeat adjustment of spray as needed. Using the lowest possible atomizing air pressure will reduce over-spray and provide maximum efficiency.

4. Trigger the gun properly. Start the gun moving at the beginning of the stroke **BEFORE SQUEEZING THE TRIGGER** and release the trigger **BEFORE STOPPING GUN MOVEMENT** at the end of the stroke. This procedure will blend each stroke with the next without showing an overlap or unevenness. Spray pattern may be infinitely adjusted from round to flat. The spray pattern of the gun is variable from round to flat with all patterns in between.
5. The amount of paint being applied can be varied by the speed of the stroke, distance from the surface and adjustment of the fluid control knob.
6. Overlap strokes just enough to obtain an even coat.

NOTE Two thin coats of paint will yield better results and have less chance of runs than one heavy layer.



7. Use a piece of cardboard as a shield to catch overspray at the edges of the work to protect other surfaces.

MAINTENANCE

WARNING

It shall be the tool owner's responsibility to assure that tools are maintained in a safe operating condition. If tools are damaged, remove from service immediately.

Tool repair shall be performed by authorized, trained, competent personnel. Please call our customer service at 1-800-590-3723 for information.

Tools shall be disconnected from their compressed air supply before repair is attempted. Repairs shall be consistent with manufacturer's recommended procedures. Please refer to the Troubleshooting section.

Tools, hoses and fittings shall be replaced if unsuitable for safe operation.

CAUTION

Always exercise extreme care when using any solvent or thinner.

Never clean gun near fire, flame, or any source of heat or sparks. Properly dispose of used cleaning materials.

DO NOT soak entire spray gun in solvent or thinner for a long period of time as this will destroy lubricants and possibly make motion uneven. **NEVER** use lye or caustic alkaline solution for cleaning. Such solutions will attack aluminum alloy parts of gun.

It is important that spray gun be cleaned after daily use. Cleaning is accomplished by spraying appropriate solvent or thinner through system. Wipe exterior of spray gun with solvent soaked cloth or use cleaning brush(s) provided to remove any accumulated material.

CLEANING

- Empty material from gravity feed cup and replace with a suitable solvent.
- Operate trigger until all material traces have disappeared and gun is thoroughly clean.
- Remove Air Cap and clean with the provided cleaning brush.

IMPORTANT: Make certain air cap and fluid nozzle are kept clean at all times. If necessary, remove these two components (internal fluid nozzle can be removed using the provided wrench) and soak them in solvent. **DO NOT** use hard objects to clean clogged holes. The smallest amount of damage may cause irregular spray pattern.

NOTE If fluid nozzle is to be removed for thorough cleaning, squeeze trigger to prevent damage of fluid needle tip when unscrewing nozzle.

LUBRICATION

Lubrication procedures must be observed after thoroughly cleaning the gun to ensure effective, high quality performance of spray gun.

1. Lubricate working points with straight mineral oil, or castor oil.
2. Periodically, place a few drops of oil on tapered sections of fluid nozzle to ensure easy operation of air cap. When spraying water base materials, coat fluid nozzle inside and outside with straight mineral oil after each use.
3. Outer diameter of needle sleeve of fluid needle assembly must be lubricated occasionally with straight mineral oil.

⚠ WARNING

Do not use lubricants containing silicone. Silicone may cause defects in the finish application.

All parts on a spray gun should be screwed in by hand at first. This will avoid the possibility of cross threading the parts. If the parts cannot be turned by hand easily, make sure you have the correct parts, unscrew, realign, and try again. NEVER use undue force in mating parts.

⚠ WARNING

Never use metal or other objects that could damage the holes in the nozzle and cap. Never immerse the spray gun completely in solvent. Never use components or parts that are not manufacturer originals.

TROUBLESHOOTING GUIDE

FLUTTERING OR SPITTING:

PROBABLE CAUSE:	SOLUTION:
1. Material level too low.	1. Add material into cup.
2. Container tipped too far.	2. Hold more upright.
3. Loose fluid inlet connection.	3. Tighten.
4. Loose or damaged fluid tip/seat.	4. Adjust or replace.
5. Dry or loose fluid needle packing nut.	5. Lubricate and or tighten.
6. Air vent clogged.	6. Clear vent hole.

PATTERN ARCING:

PROBABLE CAUSE:	SOLUTION:
1. Worn or loose Fluid Nozzle.	1. Tighten or replace Fluid Nozzle.
2. Material build up on Air Cap.	2. Remove obstructions from holes, but don not use metal objects to clean it.

UNEVEN PATTERN:

PROBABLE CAUSE:	SOLUTION:
1. Material build up on Air Cap.	1. Clean or replace Air Cap.
2. Fluid Nozzle dirty or worn.	2. Clean or replace Fluid Nozzle.

PATTERN CENTER TOO NARROW:

PROBABLE CAUSE:	SOLUTION:
1. Material too thin or not enough.	1. Regulate material viscosity.
2. Atomization air pressure too high.	2. Decrease air pressure.

INSUFFICIENT PATTERN WIDTH:

PROBABLE CAUSE:	SOLUTION:
1. Material too thick.	1. Regulate material viscosity.
2. Atomization air pressure too low.	2. Increase air pressure.

AIR CAP LEAK:

PROBABLE CAUSE:	SOLUTION:
1. Sticking air valve stem	1. Lubricate
2. Contaminate on air valve or seat	2. Clean
3. Worn or damaged air valve or seat	3. Replace
4. Broken air valve spring	4. Replace
5. Bent valve stem	5. Replace

FLUID LEAKING FROM PACKING NUT:

PROBABLE CAUSE:	SOLUTION:
1. Packing nut loose	1. Tighten needle
2. Packing worn or dry	2. Replace or lubricate (non-silicone oil)

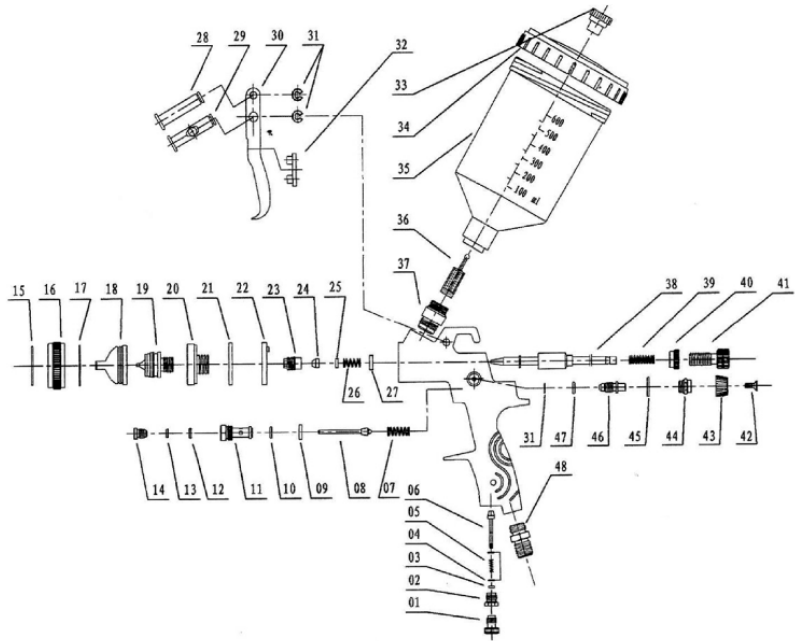
EXCESSIVE OVERSPRAY:

PROBABLE CAUSE:	SOLUTION:
1. Too high atomization pressure	1. Reduce pressure
2. Too far from work surface	2. Adjust to proper distance
3. Improper stroking (arcing, gun motion too fast)	3. Move at moderate pace, parallel to surface.

WILL NOT SPRAY:

PROBABLE CAUSE:	SOLUTION:
1. No pressure at gun	1. Check air lines
2. Fluid control not open enough	2. Open fluid control
3. Fluid too heavy	3. Thin fluid or change to pressure feed system.

PARTS DIAGRAM



PARTS LIST

NO.	PART NO.	DESCRIPTION	QTY.
1	691307-1	Air Adjustment Knob	1
2	691307-2	Air Adjustment Seat	1
3	691307-3	O-ring 2.5x2.1	1
4	691307-4	Gasket	1
5	691307-5	Air Inlet Spring	1
6	691307-6	Air Valve Stem	1
7	691307-7	Trigger Spring	1
8	691307-8	Trigger Stem	1
9	691307-9	Trigger Gasket	1
10	691307-10	O-ring 8.5x1.2	1

PARTS LIST

NO.	PART NO.	DESCRIPTION	QTY.
11	691307-11	Trigger Seat	1
12	691307-12	Oxhide Gasket	1
13	691307-13	O-ring 2.4x1.8	1
14	691307-14	Guide Bolt	1
15	691307-15	Locking Spring	1
16	691307-16	Air Cap Nut	1
17	691307-17	Air Cap Gasket	1
18	691307-18	Air Cap	1
19	691307-19	Nozzle	1
20	691307-20	Nozzle Joint	1
21	691307-21	Gunbody Gasket	1
22	691307-22	Joint Gasket	1
23	691307-23	Guide Bolt (Packing Nut)	1
24	691307-24	Needle Sealing Ring	1
25	691307-25	Little Gasket	1
26	691307-26	Depress Spring	1
27	691307-27	Big Gasket	1
28	691307-28	Trigger Pin I	1
29	691307-29	Trigger Pin II	1
30	691307-30	Trigger	1
31	691307-31	Snap Retainer d=4	3
32	691307-32	Trigger Washer	1
33	691307-33	Air Release Plug	1
34	691307-34	Cup Cover	1

PARTS LIST

NO.	PART NO.	DESCRIPTION	QTY.
35	691307-35	Cup	1
36	691307-36	Filter	1
37	691307-37	Paint Inlet Plug	1
38	691307-38	Needle	1
39	691307-39	Spring Core	1
40	691307-40	Paint Adjustment Nut	1
41	691307-41	Paint Adjustment Seat	1
42	691307-42	Bolt	1
43	691307-43	Paint Adjustment Nut	1
44	691307-44	Paint Adjustment Seat	1
45	691307-45	Copper Gasket	1
46	691307-46	Paint Adjustment Knob	1
47	691307-47	O-ring 6x2	1
48	691307-48	Air Inlet Plug	1

SPECIFICATIONS**SPECIFICATIONS**

Air Pressure	30-50 PSI
Air Consumption	4.2-7.1 CFM
Fluid Nozzle Size	1.44mm (0.057 In.)
Feed Type	Gravity
Mix Type	External
Bleed Type	Non-Bleeder
Air Inlet	1/4 In. NPS
Cup Size	600ML (0.160 Gal)

1 YEAR LIMITED WARRANTY**Express and Exclusive Limited Warranty to Original Retail Buyer**

Alltrade Tools LLC (hereinafter "Alltrade") expressly warrants to the original retail purchaser of the accompanying KAWASAKI™ air tool and no one else all parts of the product (except those parts referred to below which are specifically excluded from such warranty (see Exclusions)) to be free from defects in materials and workmanship for a period of one year from original date of purchase.

SPECIAL WARRANTY NOTE FOR COMMERCIAL OR RENTAL USE: The above warranty for this Kawasaki™ air tool shall be effective for only 90 days from the original date of purchase if this tool is used for any **COMMERCIAL OR RENTAL PURPOSE**.

The date of purchase shall be the date of shipment to the original purchaser, or the date the original purchaser took possession, custody or control of the product, whichever occurred first. This warranty shall be null and void if the product or any component thereof is modified or altered. This warranty does not apply to any other product and/or component thereof manufactured or distributed by Alltrade, and does not apply to products and/or components thereof designed, manufactured and/or assembled by others, for which Alltrade makes no warranties whatsoever. **THERE ARE NO WARRANTIES WHICH EXTEND BEYOND THE DESCRIPTION ON THE FACE HEREOF.**

Warranty Performance

By purchasing the product, purchaser expressly acknowledges and agrees that their sole and exclusive remedy under this warranty shall be strictly limited to the repair or replacement of any covered nonconforming items or parts thereof provided that any such nonconforming item and/or part is promptly returned to Alltrade's facility postage pre-paid and insured (address: ALLTRADE Warranty Claims & Repair, 1431 Via Plata, Long Beach, CA 90810, Attn: Customer Service #1-800-590-3723) within the applicable warranty period, with a written request by purchaser that Alltrade repair and/or replace the nonconforming item and/or part. We recommend that you keep the original product packaging in the event you need to ship the unit. We suggest the package be insured against loss or in transit damage. When sending your product include your name, address, phone number, dated proof of purchase (or copy), and a statement about the nature of problem. Warranty coverage is conditioned upon purchaser furnishing Alltrade with adequate written proof that they are the original purchaser and of the original purchase date. Parts returned, freight prepaid and insured, to Alltrade's facility (see above address) will be inspected and, at Alltrade's option, repaired and/or replaced free of charge if found to be defective and subject to warranty. Alltrade retains the sole discretion to determine whether any item or part is nonconforming and, if so, whether the item and/or part will be repaired and/or replaced. If the unit is repaired, new or reconditioned replacement parts may be used. If Alltrade chooses to replace the product, it may replace it with a new or reconditioned one of the same or comparable design. The repaired or replaced unit will be warranted under the terms of the remainder of the warranty period. Typically, a defective product that is

returned within the first 30 days after the purchase date will be replaced; for items returned after the first 30 days and within the warranty period, covered defective parts not subject to normal wear and tear or other exclusions will be repaired or replaced, at Alltrade's option. During the warranty period, Alltrade will be responsible for the return shipping charges. Alltrade's repair and/or replacement of any non-conforming item and/or part thereof shall constitute fulfillment of all obligations to the purchaser. Alltrade shall not be responsible or liable for any expense, including freight charges, or repairs made outside Alltrade's facility, unless expressly agreed to by Alltrade in writing. Under no circumstances shall Alltrade bear any responsibility for loss of the unit, loss of time or rental, inconvenience, commercial loss or consequential damages.

Exclusions

This warranty does not cover parts damaged due to normal wear, abnormal conditions, misapplication, misuse, abuse, accidents, operation at other than recommended pressures or temperatures, improper storage or freight damage. Parts damaged or worn by operation in dusty environments are not warranted. Failure to follow recommended operating and maintenance procedures also voids warranty.

DAMAGE TO THE PRODUCT RESULTING FROM TAMPERING, ACCIDENT, ABUSE, NEGLIGENCE, FAILURE TO FOLLOW INSTRUCTIONS, UNAUTHORIZED REPAIRS OR ALTERATIONS, DAMAGE WHILE IN TRANSIT TO OUR SERVICE FACILITY, USE OF UNAPPROVED OR IMPROPER ATTACHMENTS OR ACCESSORIES, COMMERCIAL AND RENTAL APPLICATIONS OR OTHER CAUSES UNRELATED TO PROBLEMS WITH MATERIAL OR WORKMANSHIP ARE NOT COVERED BY THIS WARRANTY.

Alltrade will not be liable for the following: labor charges, loss or damage resulting from improper operation, maintenance or repairs made by other persons; pre-delivery services such as assembly, oil or lubricants, and adjustment; maintenance services that are normally required to maintain the product.

The use of other than genuine Alltrade Repair Parts will void warranty.

Warranty Disclaimers

EXCLUSION AND DISCLAIMER OF ALL OTHER EXPRESS WARRANTIES, GUARANTIES AND/OR REPRESENTATIONS. EXCEPT FOR THE LIMITED WARRANTY PROVIDED ABOVE, ALL OTHER EXPRESS WARRANTIES, GUARANTIES AND/OR REPRESENTATIONS BY ALLTRADE AND/OR ITS REPRESENTATIVE(S) REGARDING THE DESIGN, MANUFACTURE, PURCHASE, USE AND/OR OPERATION OF THE PRODUCT OR ANY COMPONENT THEREOF SOLD HEREUNDER, REGARDLESS OF WHETHER ANY SUCH WARRANTY, GUARANTY AND/OR REPRESENTATION, WRITTEN OR ORAL, ARISES BY OPERATION OF LAW AND/OR EQUITY AND/OR BY ANY ACT OR OMISSION OF ALLTRADE AND/OR ITS REPRESENTATIVE(S), OR THE BUYER, ARE HEREBY EXPRESSLY EXCLUDED AND DISCLAIMED BY ALLTRADE AND/OR ITS REPRESENTATIVES. PURCHASER KNOWINGLY AND WILLINGLY WAIVES ANY AND ALL SUCH WARRANTIES AND RIGHTS, CLAIMS AND/OR

CAUSES OF ACTION ARISING THEREFROM OR BASED THEREON. PURCHASER'S SOLE AND EXCLUSIVE REMEDY IS AS STATED ABOVE.

EXCLUSION AND DISCLAIMER OF ALL IMPLIED WARRANTIES, INCLUDING THE IMPLIED WARRANTIES OF MERCHANTABILITY AND FITNESS FOR A PARTICULAR PURPOSE. NO WARRANTY, ORAL OR WRITTEN, OTHER THAN THE ABOVE WARRANTY IS MADE WITH REGARD TO THIS PRODUCT. ALL EXPRESS AND/OR IMPLIED WARRANTIES, GUARANTIES AND/OR REPRESENTATIONS BY ALLTRADE AND/OR ITS REPRESENTATIVE(S) REGARDING THE DESIGN, MANUFACTURE, PURCHASE, USE AND/OR OPERATION OF THE PRODUCT OR ANY COMPONENT THEREOF SOLD HEREUNDER, REGARDLESS OF WHETHER ANY SUCH WARRANTY, GUARANTY AND/OR REPRESENTATION, WRITTEN OR ORAL, ARISES BY OPERATION OF LAW AND/OR EQUITY AND/OR BY ANY ACT OR OMISSION OF ALLTRADE AND/OR ITS REPRESENTATIVE(S), OR THE PURCHASER, INCLUDING BUT NOT LIMITED TO THE IMPLIED WARRANTY OF MERCHANTABILITY AND THE WARRANTY OF FITNESS FOR A PARTICULAR PURPOSE, ARE HEREBY EXPRESSLY EXCLUDED AND DISCLAIMED BY ALLTRADE AND/OR ITS REPRESENTATIVES. PURCHASER KNOWINGLY AND WILLINGLY WAIVES ANY AND ALL SUCH WARRANTIES AND RIGHTS, CLAIMS AND/OR CAUSES OF ACTION ARISING THEREFROM OR BASED THEREON. PURCHASER'S SOLE AND EXCLUSIVE REMEDY IS AS STATED ABOVE.

Limitation Of Liability

IN NO EVENT SHALL ALLTRADE AND/OR ITS REPRESENTATIVE(S) BE LIABLE FOR INDIRECT, INCIDENTAL, SPECIAL AND/OR CONSEQUENTIAL DAMAGES OF ANY KIND ARISING OUT OF OR RELATED TO, DIRECTLY OR INDIRECTLY, ANY BREACH OF ANY PROVISION OF ANY AGREEMENT BETWEEN ALLTRADE AND/OR ITS REPRESENTATIVE(S) AND PURCHASER, ANY WARRANTY HEREUNDER, AND/OR THE EXISTENCE, DESIGN, MANUFACTURE, PURCHASE, USE AND/OR OPERATION OF ANY ITEM(S) SOLD HEREUNDER EVEN IF ALLTRADE AND/OR ITS REPRESENTATIVE(S) HAS BEEN ADVISED OF THE POSSIBILITY OF ANY SUCH DAMAGES. IN NO EVENT, WHETHER AS A RESULT OF A BREACH OF CONTRACT, WARRANTY, TORT (INCLUDING NEGLIGENCE) OR OTHERWISE, SHALL ALLTRADE'S AND/OR ITS REPRESENTATIVE(S)' LIABILITY EXCEED THE PRICE OF THE PRODUCT. ANY AND ALL LIABILITY CONNECTED WITH THE USE OF THIS PRODUCT SHALL TERMINATE UPON THE EXPIRATION OF THE WARRANTY PERIODS SPECIFIED ABOVE.

Limitations on Warranty Disclaimers

Some states do not allow limitations on how long an implied warranty lasts and some states do not allow the exclusion or limitation of the incidental or consequential damages, so part or all of the above limitations or exclusions may not apply to you. This warranty gives you specific legal rights, and you may also have other rights which vary from state to state.

If your product is not covered by this warranty, please call our Customer Service Department toll free at 1-800-590-3723 for general repair information and charges.