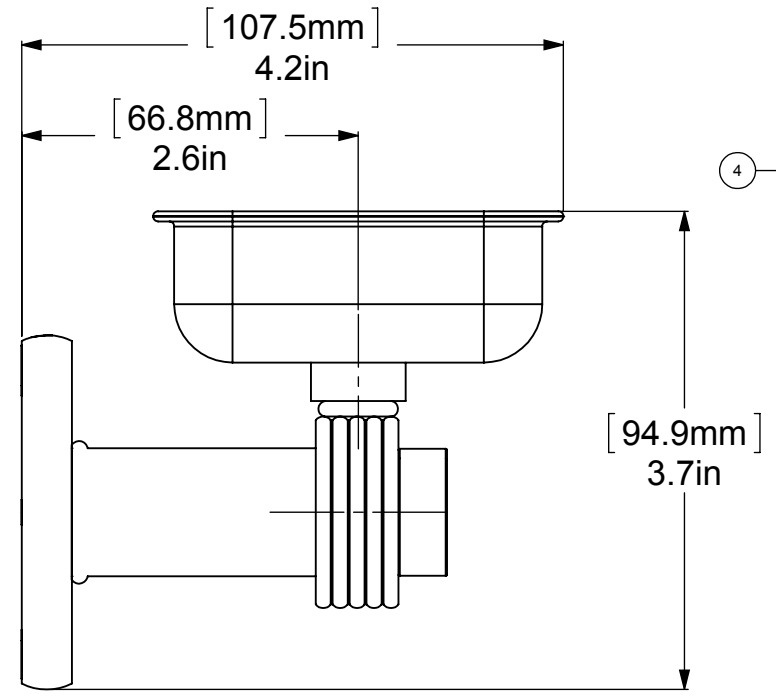
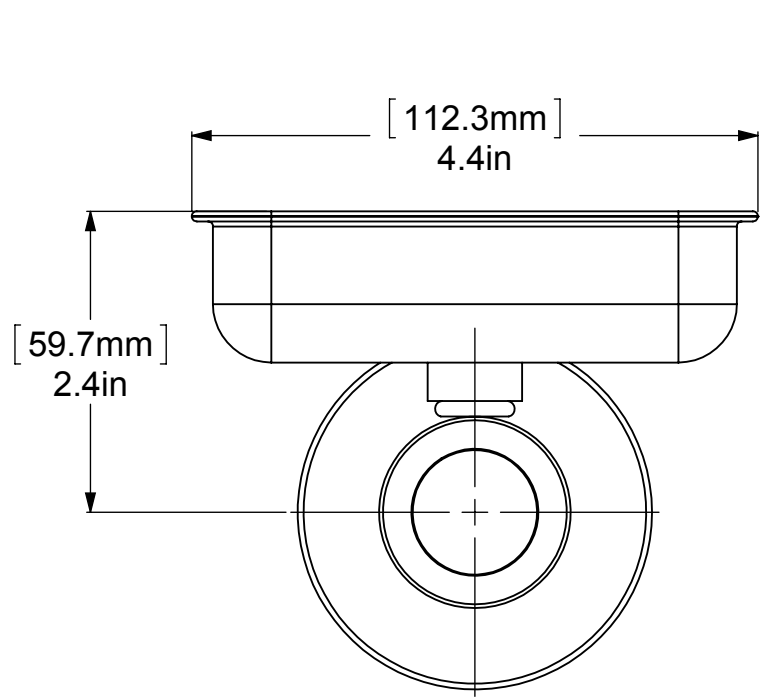
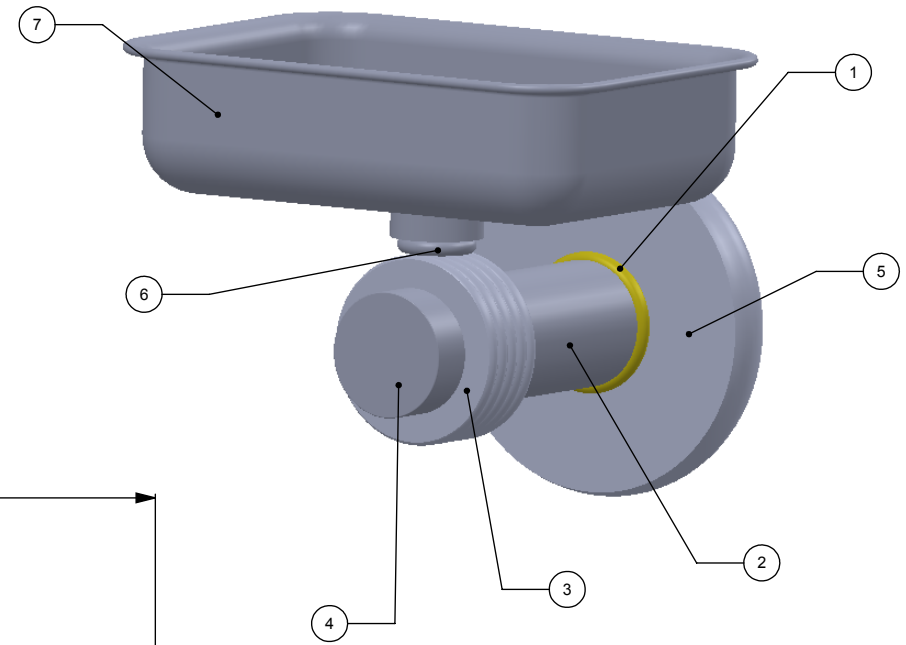


ITEM NO.	PART NUMBER	DESCRIPTION	QTY.
1	CRRD-1	CHECK RING	1
2	TU1-2	TUBE	1
3	RGGVD	HUB	1
4	CARD-1	CAP	1
5	BPRD	BASE	1
6	CRRD-12	CHECK RING-1	1
7	HRRTS	TOP PLATE	1



UNLESS OTHERWISE STATED	
.X	±.3mm
.XX	±.15mm
.XXX	±.008mm

COPYRIGHT © Allied Brass 2017

THIRD ANGLE PROJECTION

DRAWN	7/5/2017	I.M
CHECKED	7/5/2017	P.D
APPROVED	7/5/2017	R.A

MATERIAL:	BRASS
DESCRIPTION:	Mercury Collection Soap Dish

FINISH	TBD
QUANTITY	TBD
DRAWING No.	932G
REV	0
SCALE	1:3
SHEET: 01	A4