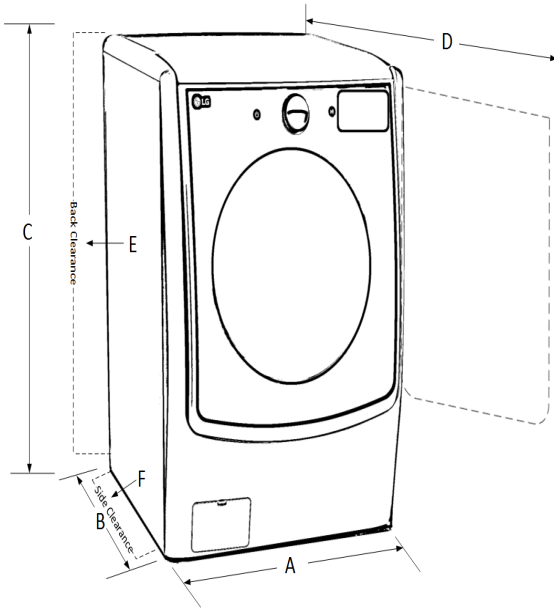




WM9000HVA

5.2 cu.ft. MEGA Capacity Front Load w/ On-Door Control Panel & TurboWash®

LAUNDRY



OPTIONS 14

Prewash, Delay Wash, Extra Rinse, Child Lock, ColdWash™, FreshCare™, Steam, TurboWash™, Custom Program, Drum Light, Smart Grid, Remote Start, Wi-Fi Connect

PROGRAMS 14

Normal, Perm. Press, Delicates, Speed Wash, TubClean™, Sanitary, Allergiene™, Heavy Duty,



DIMENSIONS

Product Width	A	29"
Product Depth	B	33 3/4"
Product Height	C	41 1/4"
With Door Open	D	42.125
Back Clearance	E	4"
Side Clearance	F	1"
Carton (WxHxD, inch)		31 5/16" x 44 19/64" x 35 5/8"
Weight (Product, lbs)		227.1
Weight (Carton, lbs)		251.4

OPTIONS

Pedestal	WDP5W, WDP5V
Stacking Kit	Not stackable
Pedestal (WxHxD)	29" x 14 1/8" x 29 2/5"
Matching Dryer	DL_X9000(1)

UPC CODE / WARRANTY

UPC CODE	048231015349
Colors	Graphite Steel
Available Colors	White (W), Graphite Steel (V)
Parts & Labor	1 Year
Motor	10 Years
Motor	Inverter Direct Drive

MOTOR AND AGITATOR

Motor Type	Inverter Direct Drive
Motor Speed	Variable
Axis	Horizontal
Max RPM	1300

FEATURES

Smart Diagnosis™	ver. 3.0
IMEF	2.92
IWF	3.2

POWER SOURCE

Ratings	UL Listed
Type	Front Load
Electrical Requirements	120V, 10 Amps/Electric, 60 Hz

Dimensions and weights are approximate. Design, features and specifications subject to change without notice.