

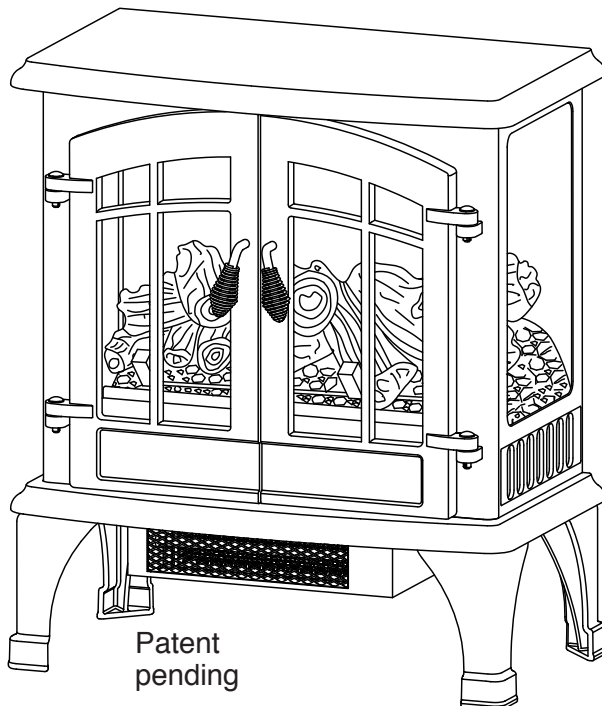
Item # 1001-010-530  
# 1000-048-482  
# 205109447  
# 207001168



Model # EST-534T-10  
# EST-534T-10-Y  
# EST-534T-50-Y

## USE AND CARE GUIDE

### LEGION PANORAMIC INFRARED STOVE



### IMPORTANT INSTRUCTIONS

PLEASE READ THIS MANUAL BEFORE INSTALLING AND USING APPLIANCE

#### WARNING!

IF THE INFORMATION IN THIS MANUAL IS NOT FOLLOWED EXACTLY,  
AN ELECTRICAL SHOCK OR FIRE MAY RESULT  
CAUSING PROPERTY DAMAGE, PERSONAL INJURY OR LOSS OF LIFE.

**INSTALLER:** Leave this manual with the appliance.  
**CONSUMER:** Retain this manual for future reference.

Questions, problems, missing parts? Before returning to the store,  
call Hampton Bay Customer Service  
8 a.m. - 6 p.m., EST, Monday - Friday

**855-HD-HAMPTON HAMPTONBAY.COM**

#### THANK YOU

We appreciate the trust and confidence you have placed in Hampton Bay through the purchase of this electric log insert. We strive to continually create quality products designed to enhance your home. Visit us online to see our full line of products available for your home improvement needs. Thank you for choosing Hampton Bay!

# Table of Contents

Table of Contents .....	2	Installation .....	8
Safety Information .....	3	Operation .....	9
Warranty .....	5	Care and Maintenance .....	10
Pre-Installation .....	6	Electric Wiring Diagram .....	11
Stove Dimensions .....	6	Troubleshooting .....	12
Tools Required .....	7	Replacement Parts .....	13
Package Contents .....	7		



**IMPORTANT:** Read all instructions and warnings carefully before starting installation. Failure to follow these instructions may result in a possible electric shock, injury to persons, fire hazard and will void the warranty.

Please read the Installation & Operating Instructions before using this appliance.



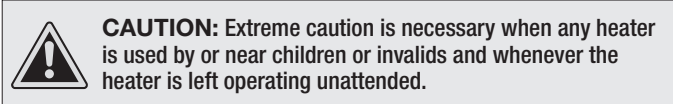
## CAUTION

PRODUCT DAMAGE MAY OCCUR.  
Never attempt to disassemble or alter the product in any way not instructed by this manual.

# Safety Information

Please read and understand this entire manual before attempting to assemble, operate or install the product.

- Read all instructions before using this appliance.
- This appliance is hot when in use. To avoid burns, do not let bare skin touch hot surfaces. If provided, use handles when moving this appliance. Keep combustible materials, such as furniture, pillows, bedding, papers, clothes and curtains at least 3 ft. (914 mm) from the front of this appliance and keep them away from the sides and rear.



- If possible, always unplug this appliance when not in use.
- Do not operate any heater with a damaged cord or plug or after the appliance malfunctions, has been dropped or damaged in any manner.
- Any repairs to this appliance should be carried out by a qualified service person.
- Under no circumstances should this appliance be modified. Parts having to be removed for servicing must be replaced prior to operating this appliance again.
- Do not use outdoors.
- This heater is not intended for use in bathrooms, laundry areas and similar indoor locations. Never place this appliance where it may fall into a bathtub or other water container.
- Do not use this heater in elevated locations, such as on shelves, raised platforms, etc.
- Do not run the cord under carpeting. Do not cover the cord with throw rugs, runners or the like. Arrange the cord away from traffic areas and where it will not be tripped over.
- To disconnect this appliance, turn the controls to the off position, then remove the plug from the outlet.
- Connect to properly grounded outlets only.
- This appliance, when installed, must be electrically grounded in accordance with local codes, with the current CSA C22.1 Canadian Electrical codes or for USA installations, follow local codes and the National Electric Code, ANSI/NFPA No. 70.
- Do not insert or allow foreign objects to enter any ventilation or exhaust opening, as this may cause an electric shock, fire, or damage to the appliance.
- To prevent possible fire, do not block air intakes or exhaust in any manner. Do not use on soft surfaces, like a bed, where openings may become blocked.
- This appliance has hot and arcing or sparking parts inside. Do not use it in areas where gasoline, paint, or flammable liquids are used or stored. This appliance should not be used as a drying rack for clothing, nor should Christmas stockings or decorations be hung on or near it.
- Use this appliance only as described in this manual. Any other use not recommended by the manufacturer may cause fire, electric shock, or injury to persons.
- Always plug heaters directly into a wall outlet/receptacle. Always plug the unit into a wall outlet/receptacle. An extension cord or re-locatable power tap, (outlet/power strip), should never be used.
- Do not use this heater with missing, damaged, or broken legs.
- "SAVE THESE INSTRUCTIONS FOR FUTURE USE"

## Safety Information (continued)



### ELECTRICAL CONNECTION

A 15-Amp, 120-Volt, 60 Hz circuit with a properly grounded outlet is required. Preferably, the item will be on a dedicated circuit as other appliances on the same circuit may cause the circuit breaker to trip or the fuse to blow when the heater is in operation. The unit comes standard with a 6 ft. (1.8 m) long three wire cord, exiting the right side of the item. Always plug the unit into a wall outlet/receptacle. An extension cord or re-locatable power tap, (outlet/power strip), should never be used.



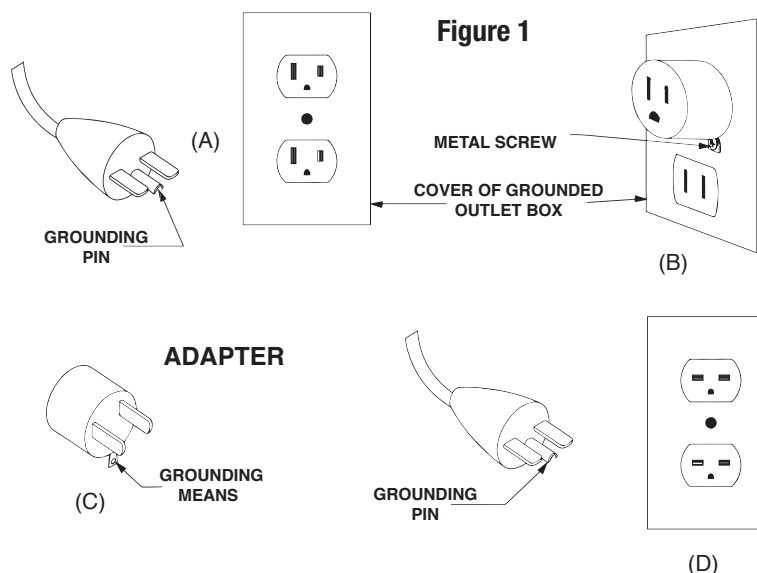
Electrical outlet wiring must comply with local building codes and other applicable regulations to reduce the risk of fire, electrical shock and injury to persons.



Do not use this item if any part of it has been under water. Immediately call a qualified service technician to inspect the item and replace any part of the electrical system which has been under water.

### GROUNDING INSTRUCTIONS

This heater is for use on 120 volts. The cord has a plug as shown at (A) in Figure 1. An adapter as shown at (C) is available for connecting three-blade grounding-type plugs to two-slot receptacles. The green grounding lug extending from the adapter must be connected to a permanent ground such as a properly grounded outlet box. The adapter should not be used if a three-slot grounded receptacle is available.



**NOTE:** Adapters are NOT for use in Canada.



# Warranty

---

## 1-YEAR WARRANTY

### WHAT IS COVERED

The manufacturer warrants that your new electric stove is free from manufacturing and material defects for a period of one year from date of purchase, subject to the following conditions and limitations.

This electric stove must be installed and operated at all times in accordance with the instructions furnished with the product. Any alteration, willful abuse, accident, or misuse of the product shall nullify this warranty. This warranty is non-transferrable, and is made to the original owner, provided that the purchase was made through an authorized supplier of the manufacturer. This warranty is limited to the repair or replacement of part(s) found to be defective in material or workmanship, provided that such part(s) have been subjected to normal conditions of use and service, after said defect is confirmed by the manufacturer's inspection. The manufacturer may, at its discretion, fully discharge all obligations with respect to this warranty by refunding the wholesale price of the defective part(s).

### WHAT IS NOT COVERED

Any installation, labor, construction, transportation, or other related costs/expenses arising from defective part(s), repair, replacement, or otherwise of same, will not be covered by this warranty, nor shall the manufacturer assume responsibility for same. Further, the manufacturer will not be responsible for any incidental, indirect, or consequential damages, except as provided by law.

All other warranties - expressed or implied - with respect to the product, its components and accessories, or any obligations/liabilities on the part of the manufacturer are hereby expressly excluded. The manufacturer neither assumes, nor authorizes any third party to assume, on its behalf, any other liabilities with respect to the sale of this product. The warranties as outlined within this document do not apply to non-manufacturer accessories used in conjunction with the installation of this product.

This warranty does not cover the lightbulb(s) included with the fireplace.

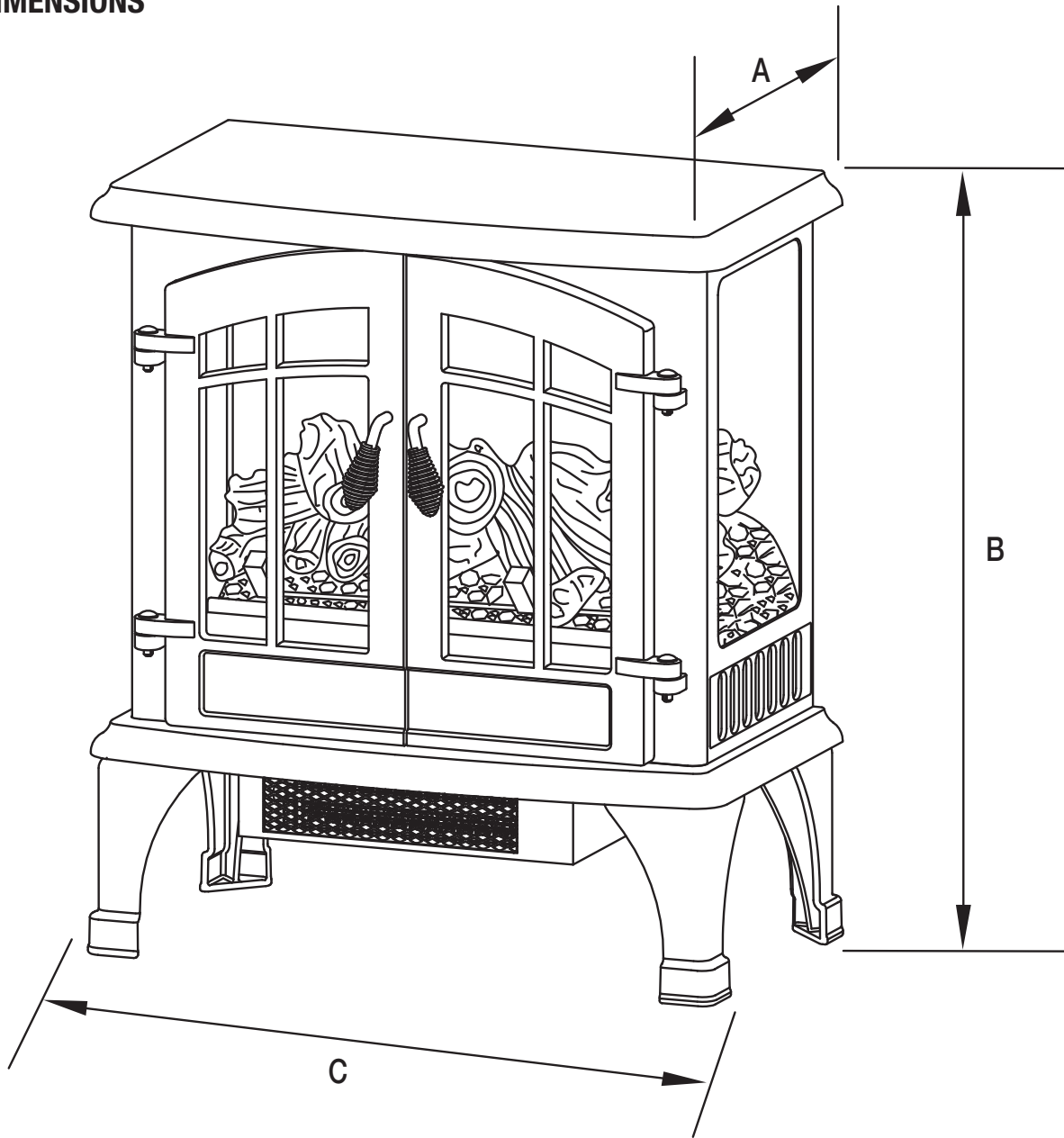
This warranty is void if: the fireplace has been operated in atmospheres contaminated by chlorine, fluorine, or other damaging chemicals; the fireplace is subjected to prolonged periods of dampness or condensation; the fireplace is altered, willfully abused, damaged by accident, or misused in any way.

If warranty service is needed, contact the Customer Service Team at 855-HD-HAMPTON from 8 a.m. - 6 p.m., EST, Monday-Friday or visit [www.hamptonbay.com](http://www.hamptonbay.com).

Make sure you have your warranty, your sales receipt, and the model/serial number of your product.

**DO NOT ATTEMPT TO DO ANY SERVICE WORK YOURSELF.**

## STOVE DIMENSIONS



Ref.	EST-534T-10
A	11 in. (27.94 cm)
B	23 in. (58.42 cm)
C	20 in. (50.8 cm)

Technical Specifications	
Voltage	120V AC
Frequency	60HZ
Amps	12.5A
Rating	1500W

# Pre-Installation (continued)

## TOOLS REQUIRED



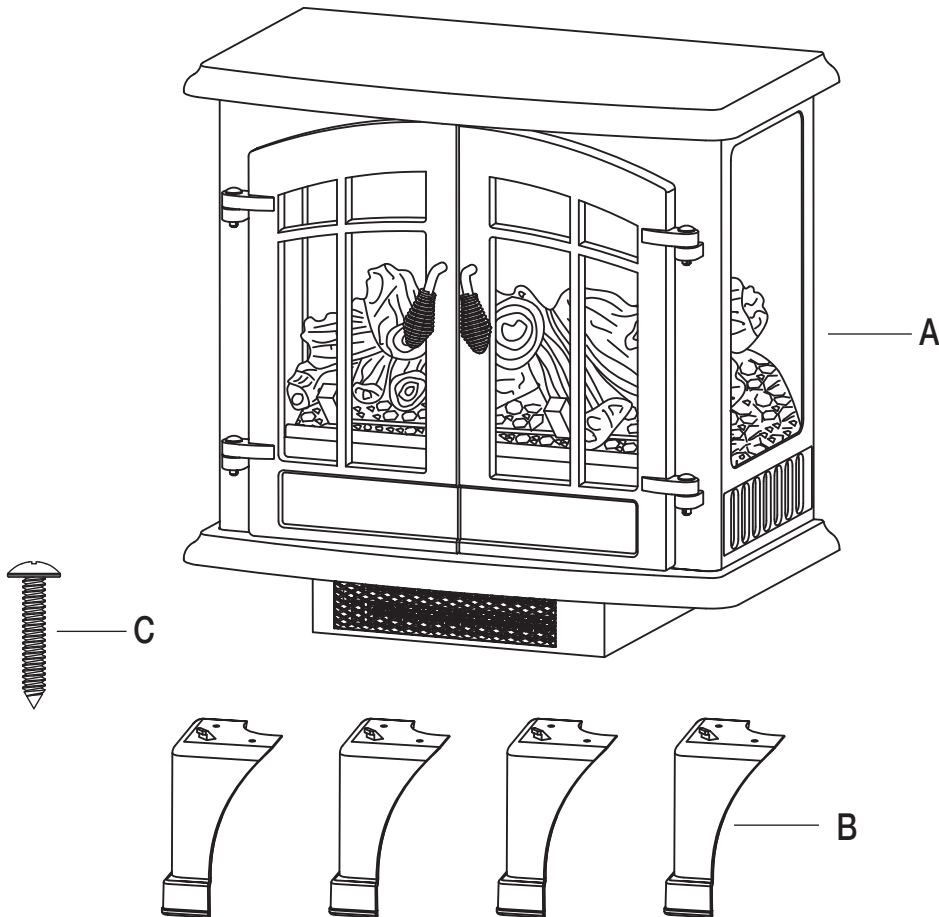
Phillips  
screwdriver  
(not included)

## PACKAGE CONTENTS

Open the unit and check carefully for visible damage. If you have any problems with installation, operation, missing parts, or damage, please contact the Customer Service Team at 855-HD-HAMPTON.

DO NOT dispose of packaging until you are satisfied with your stove.

DO NOT return the unit to the store before calling 855-HD-HAMPTON for service.



Part	Description	Quantity
A	Electric Stove	1
B	Leg	4
C	Screw	8

# Installation

The stove should be located in an area:

- Out of direct sunlight
- Not susceptible to moisture
- Away from uninsulated outside wall



## WARNING

- The stove is heavy and should be assembled near its desired location.
- It is recommended that two people move the assembled stove to prevent injury.

## Clearance to Combustibles

Sides	4 in. (101.6 mm)
Floor	0 in. (0 mm)
Top	36 in. (914 mm)
Front	36 in. (914 mm)
Rear	0 in. (0 mm)

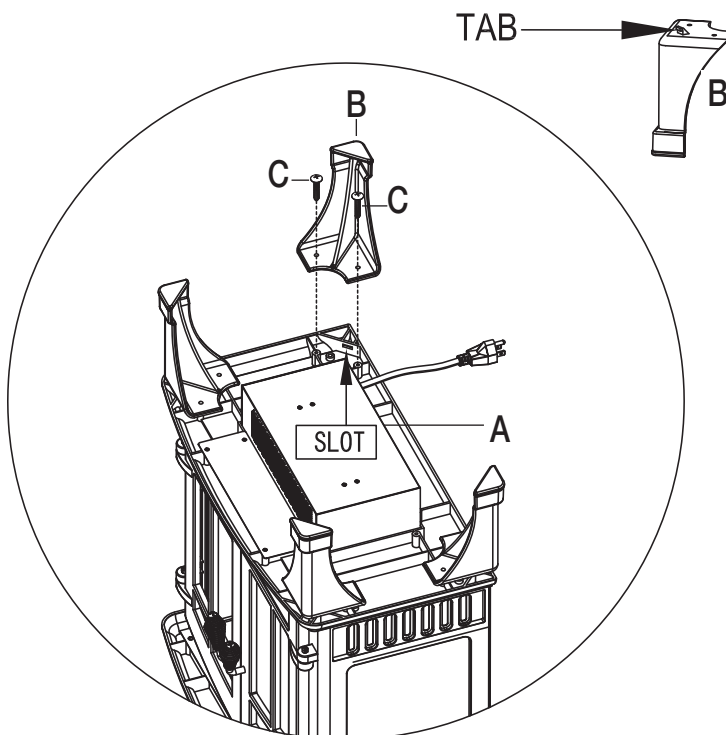


## WARNING

Do not install the unit on shelves, raised platforms, beds, blankets, pillows etc. Keep combustible materials such as furniture, bedding, papers, clothes and curtains at least 3 ft. (914 mm) from the stove.

## ASSEMBLY INSTRUCTIONS

1. Lay the stove (A) upside down on a padded surface with the underside accessible. Attach the leg (B) to the stove by inserting the tab on the top of each leg (B) into the corresponding slot on the bottom of the stove (A). Insert two screws (C) into predrilled holes and tighten securely for each leg (B).
2. Carefully position the stove against a wall.
3. Plug the power cord into the 15-amp, 120-volt outlet. Use an extension cord rated for a minimum of 1,875 watts if necessary.



## CAUTION

Make sure that the unit is installed so that the power cord is not compressed against or caught on the stove and that it has an unobstructed path to the grounded outlet.

# Operation



## Read All Instructions Before Use

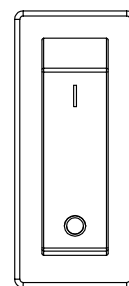
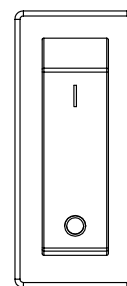
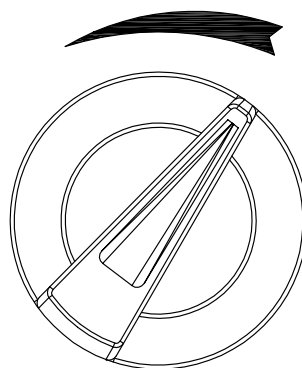
Check that the heater outlet grill is not covered or obstructed in anyway, and make sure the power to the unit is switched on.



**NOTE:** When the heat function is used for the first time, a slight odor may be present. This is normal and should not occur again unless the heater is not used for an extended period of time.

## 1 Using the Control Panel

- The control panel is located behind the door of the stove.
  - **Main Power Switch:** The Power  Switch supplies power to all of the functions of the stove. This switch must be in the ON position for any functions to work.
  - **Flame Effect:** Toggle the Power Switch ON. The Power indicator light will glow. The flame effect will be visible through the front glass.
  - **Temperature Knob:** Toggle the Temperature  Switch ON, the Temperature control knob regulates the temperature level of the room. The further the knob is rotated clockwise, the higher the temperature setting. Turning the knob counterclockwise will lower the temperature setting. Use this function to help regulate the ambient temperature level.
  - **Temperature Limiting Control:** This heater is equipped with a Temperature Limiting Control. Should the heater reach an unsafe temperature, the heater will automatically turn off. To reset: Unplug the power cord from the outlet. Wait 5 minutes. With the Power switch in the OFF position, plug the power cord back into the outlet.



## Maintenance

### GLASS INFORMATION

- Under no circumstances should this product be operated with broken glass.
- Do not strike or slam the glass.
- Do not use abrasive cleaners to clean the glass.
- This product uses tempered glass. Replacement of the glass supplied by the manufacturer should be done by a qualified service person.

### LIGHT BULB INSPECTION AND REPLACEMENT

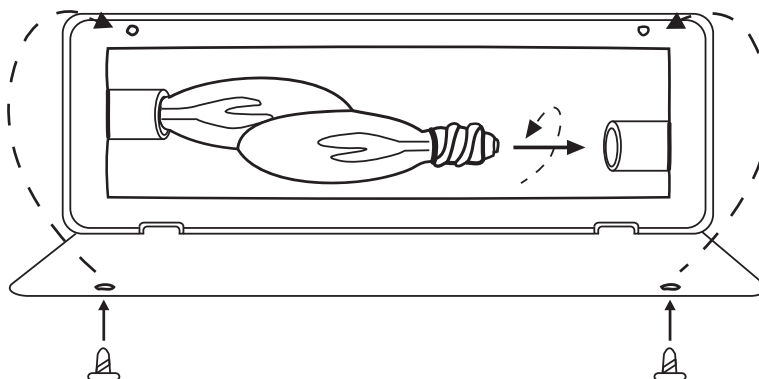
The flame effect is created by two 40-Watt light bulbs with an E-12 (small) socket base. Use only this type of light bulb. If the flame effect does not work, the bulbs may have come loose or been damaged during shipping.



#### CAUTION

Light bulbs become very hot during use. Allow at least 10 minutes for the bulbs to cool before touching.

To inspect or replace the bulbs, first unplug the power cord from the outlet. Locate the access panel on the back of the stove. Remove the screws and the panel. Check the bulbs to be sure they are finger tight and in working order. Replace any damaged or faulty bulbs. Reattach the access panel. Do not operate this heater without the access panel in place. Do not remove the back cover of this heater. There are no serviceable parts inside.



#### WARNING

Do not exceed 40 watts per bulb. Use of higher rated bulbs may result in a fire, causing property damage or personal injury.

### MOTOR MAINTENANCE

Always disconnect the appliance from the main power supply and allow it to cool before any servicing operation.

The motors used on the fan heater and flame blower are pre-lubricated for extended bearing life and require no further lubrication. However, periodic cleaning/vacuuming of the appliance around the air intake and exhaust, as well as the fan heater is recommended. For heavy or continuous use, periodic cleaning must be done more frequently. If the heater blows alternating cold and warm air, check the fan for free movement and for debris restricting air flow. If the fan does not move freely, the unit must be turned off and the fan replaced immediately in order to prevent further damage to the unit.

## Care & Cleaning

Always turn the stove OFF and unplug the power cord from the outlet before cleaning. Use a vacuum or duster to remove dust and dirt from the heater and vent areas. To maintain the finish, clean with a soft, slightly damp cloth and buff with a dry cloth. Never use abrasive cleansers, liquid sprays, or any cleaner that could scratch the surface.

# Electric Wiring Diagram

 **DANGER**



Disconnect power before servicing.

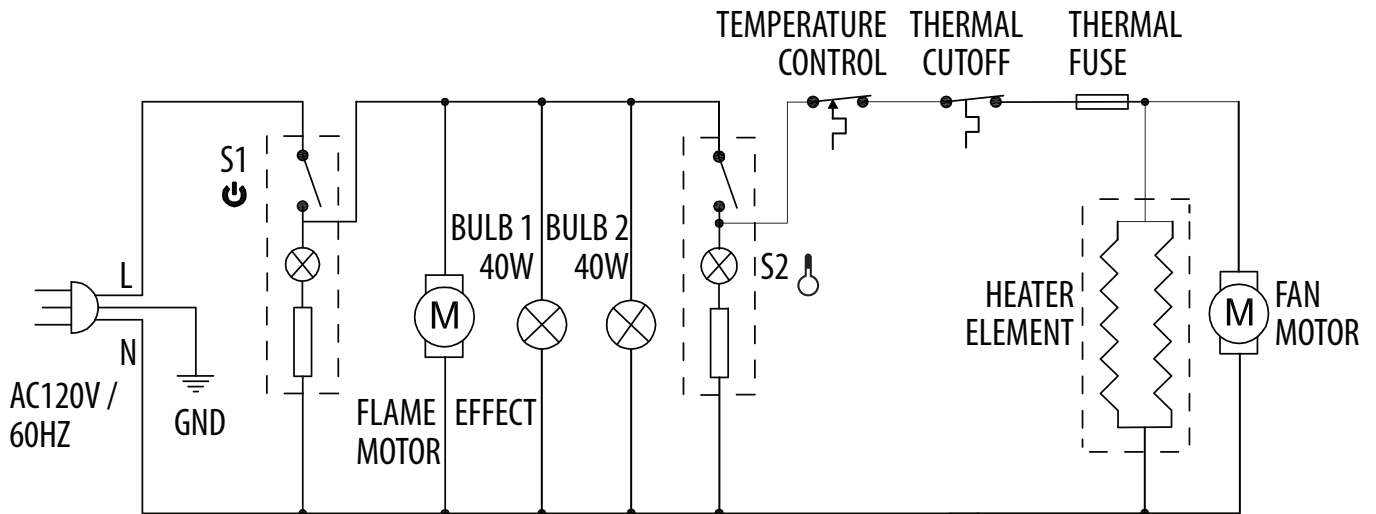


Any electrical re-wiring of this appliance must be done by a qualified electrician. This wiring must be done in accordance with local codes and/or in Canada with the current CSA C22.1 Canadian Electrical Code, and for US installations, the National Electrical Code ANSI/NFPA NO 70.



If repairing or replacing any electrical component or wiring, the original wire routing, color coding and securing locations must be followed.

## CIRCUIT DIAGRAM



**WARNING:** Disconnect power before servicing.

# Troubleshooting

If you have any questions regarding the product, please call Hampton Bay Customer Service, 855-HD-HAMPTON, 8 a.m. – 6 p.m. EST, Monday – Friday.

Problem	Possible Cause	Corrective Action
The stove does not operate.	<ul style="list-style-type: none"> <li><input type="checkbox"/> The stove is not plugged in.</li> <li><input type="checkbox"/> A circuit breaker is tripped or a fuse blown.</li> <li><input type="checkbox"/> The ON/OFF switch is defective.</li> <li><input type="checkbox"/> There is loose wiring.</li> </ul>	<ul style="list-style-type: none"> <li><input type="checkbox"/> Make sure the fireplace is plugged in to a standard 120V outlet.</li> <li><input type="checkbox"/> Check additional appliances on the circuit; ideally the fireplace should be on a dedicated 15-amp circuit.</li> <li><input type="checkbox"/> Call customer service.</li> <li><input type="checkbox"/> Call customer service.</li> </ul>
The power light is ON but the flame effect is not visible.	<ul style="list-style-type: none"> <li><input type="checkbox"/> The stove is not operating correctly.</li> <li><input type="checkbox"/> There are loose light bulb(s).</li> <li><input type="checkbox"/> There are burnt out light bulb(s).</li> </ul>	<ul style="list-style-type: none"> <li><input type="checkbox"/> Refer to the operating instructions.</li> <li><input type="checkbox"/> Tighten the light bulb(s).</li> <li><input type="checkbox"/> Replace the light bulb(s).</li> </ul>
The heater is not operating.	<ul style="list-style-type: none"> <li><input type="checkbox"/> The stove is not operating correctly.</li> <li><input type="checkbox"/> The heater switch is defective.</li> <li><input type="checkbox"/> The heater assembly is defective.</li> <li><input type="checkbox"/> There is loose wiring.</li> <li><input type="checkbox"/> The vents are dirty or clogged.</li> </ul>	<ul style="list-style-type: none"> <li><input type="checkbox"/> Refer to the operating instructions.</li> <li><input type="checkbox"/> Call customer service.</li> <li><input type="checkbox"/> Call customer service.</li> <li><input type="checkbox"/> Call customer service.</li> <li><input type="checkbox"/> Unplug the unit. Clear the vent area of dust and debris. Wait ten minutes, plug the unit in again and turn on the heater.</li> </ul>
There is excessive noise when the heater is operating.	<ul style="list-style-type: none"> <li><input type="checkbox"/> The fan is defective.</li> <li><input type="checkbox"/> The heater assembly is defective.</li> </ul>	<ul style="list-style-type: none"> <li><input type="checkbox"/> Call customer service.</li> <li><input type="checkbox"/> Call customer service.</li> </ul>

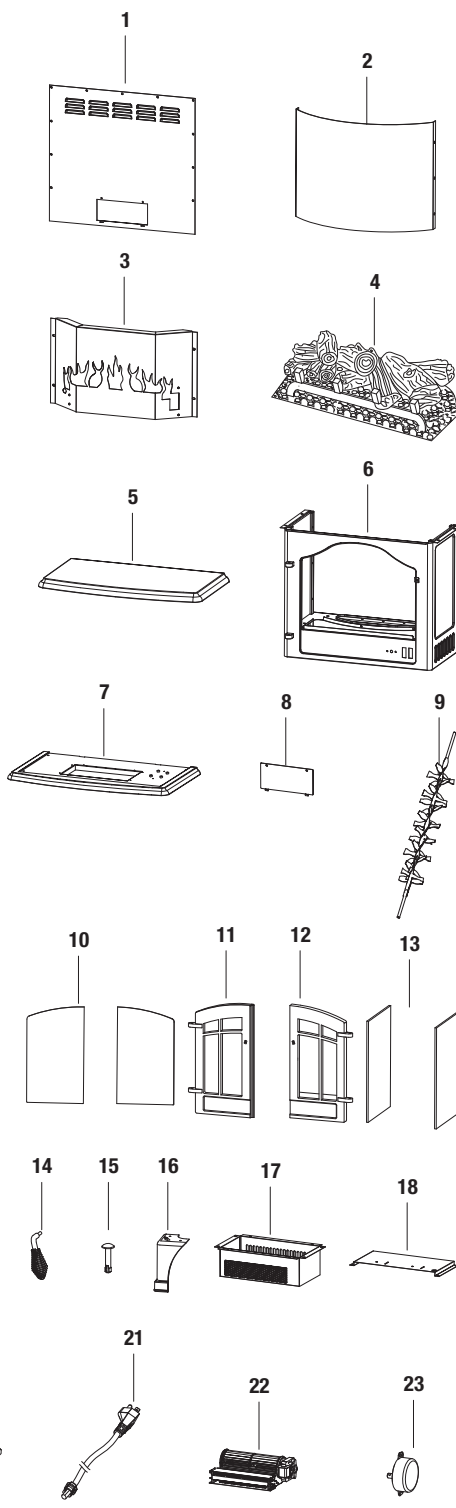


# Replacement Parts

If you have any questions regarding the product, please call Hampton Bay Customer Service, 855-HD-HAMPTON, 8 a.m. – 6 p.m. EST, Monday – Friday.

## MATTE BLACK FINISH

Ref.	Description	Part No.
1	Back Panel	EFES323001ST
2	Screen	EFEST332T001ST
3	Flame Panel	EFEST332T002ST
4	Log Set	EFEST332T003ST
5	Top Panel	EFES323005ST
6	Cabinet Panel	EFEST332T004ST
7	Bottom Panel	EFES323007ST
8	Access Panel	EFES323008ST
9	Flame Reflector	EFEST332T005ST
10	Glass	EFEST534T001ST
11	Left Door	EFEST534T002ST
12	Right Door	EFEST534T003ST
13	Side Glass	EFEST332T008ST
14	Handle	EFES323012ST-14
15	Hinge Pin	EFES323013ST
16	Leg (Design 3)	EFEST333T003ST
17	Fan Heater Box	EFES323015ST
18	Light Barrier Panel	EFEST332T018ST
19	Switch	EFES323017ST
20	Thermostat	EFES322006ST
21	Power Cord Connector	EFES323018ST
22	Heater (IR)	EFES322007ST-14
23	Motor	EFES323020ST
24	Lamp Socket & Bracket	EFES323021ST



## WHITE FINISH

Ref.	Description	Part No.
1	Back Panel	EFES323001ST
2	Screen	EFEST332T001ST
3	Flame Panel	EFEST332T002ST
4	Log Set	EFEST332T003ST
5	Top Panel	EST5345001ST
6	Cabinet Panel	EST5345002ST
7	Bottom Panel	EST5345003ST
8	Access Panel	EFES323008ST
9	Flame Reflector	EFEST332T005ST
10	Glass	EFEST534T001ST
11	Left Door	EST5345004ST
12	Right Door	EST5345005ST
13	Side Glass	EFEST332T008ST
14	Handle	EST5345006ST
15	Hinge Pin	EST5345007ST
16	Leg (Design 3)	EST5345008ST
17	Fan Heater Box	EFES323015ST
18	Light Barrier Panel	EFEST332T018ST
19	Switch	EFES323017ST
20	Thermostat	EFES322006ST
21	Power Cord Connector	EFES323018ST
22	Heater (IR)	EFES322007ST-14
23	Motor	EFES323020ST
24	Lamp Socket & Bracket	EFES323021ST

Some parts and specifications may change without notice.



Questions, problems, missing parts? Before returning to the store,  
call Hampton Bay Customer Service  
8 a.m.-6 p.m., EST, Monday-Friday

**855-HD-HAMPTON**

**HAMPTONBAY.COM**

Retain this manual for future use.

Manufactured by: GHP Group, Inc. • 6440 W. Howard St. • Niles, IL 60714-3302

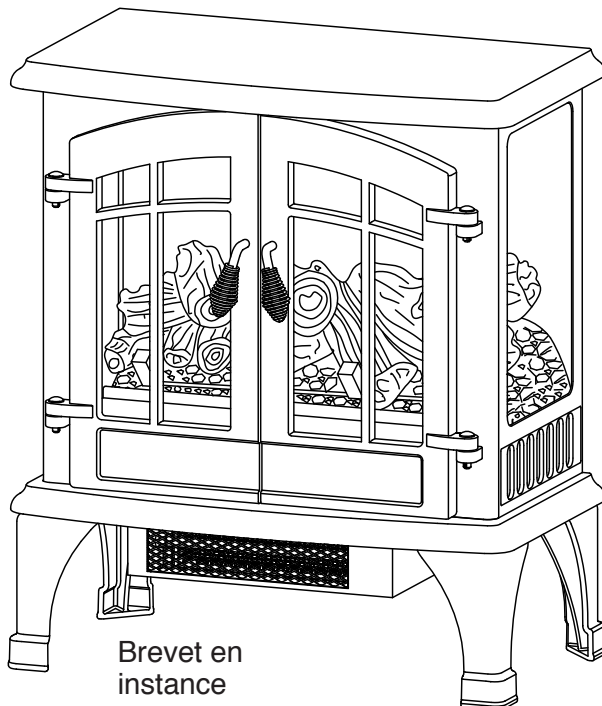
Article # 1001-010-530  
# 1000-048-482  
# 205109447  
# 207001168



Modèle # EST-534T-10  
# EST-534T-10-Y  
# EST-534T-50-Y

# GUIDE D'UTILISATION ET D'ENTRETIEN

## FOYER INFRAROUGE PANORAMIQUE LEGION



Brevet en instance



### INSTRUCTIONS IMPORTANTES

LISEZ CE MANUEL AVANT D'INSTALLER ET D'UTILISER L'APPAREIL

#### AVERTISSEMENT!

NE PAS RESPECTER SCRUPULEUSEMENT LES DIRECTIVES CONTENUES DANS CE GUIDE PEUT OCCASIONNER UN CHOC ÉLECTRIQUE OU UN INCENDIE ET CAUSER DES DOMMAGES MATÉRIELS, DES BLESSURES OU LA MORT.

**AVIS À L'INSTALLATEUR :** laissez ce manuel avec l'appareil.

**AVIS À L'UTILISATEUR :** conservez ce manuel pour les références ultérieures.

Questions, problèmes, pièces manquantes? Avant de retourner au magasin, appelez le service à la clientèle de Hampton Bay de 8h à 18h, heure normale de l'Est, du lundi au vendredi

**855-HD-HAMPTON HAMPTONBAY.COM**

#### MERCI

Nous apprécions la confiance que vous faites à Hampton Bay par l'achat de ce jeu de bûches électriques encastrable. Nous nous efforçons de créer continuellement des produits de qualité conçus pour améliorer votre maison. Visitez-nous en ligne pour voir notre gamme complète de produits disponibles pour vos besoins de rénovation. Merci d'avoir choisi Hampton Bay!

# Table des matières

Table des matières .....	16	Installation .....	22
Mesures de sécurité .....	17	Utilisation .....	23
Garantie .....	19	Maintenance .....	24
Pré-Installation .....	20	Schéma de câblage électrique.....	25
Dimensions du foyer .....	20	Dépannage.....	26
Outils requis .....	21	Pièces de rechange.....	27
Contenu de l'emballage .....	21		



**IMPORTANT** : Lisez attentivement toutes les instructions et mises en garde avant de commencer l'installation.  
Le non-respect de ces instructions peut entraîner un choc électrique, des blessures, un risque d'incendie et annuler la garantie.

Lisez les instructions d'installation et d'utilisation avant d'utiliser cet appareil.




## MISE EN GARDE

LE PRODUIT PEUT ÊTRE ENDOMMAGÉ.

N'essayez jamais de démonter ou de modifier l'appareil d'une manière non indiquée dans ce manuel.

## Mesures de sécurité

1. Lisez toutes les instructions avant d'utiliser cet appareil.
2. Cet appareil devient chaud lorsqu'il est utilisé. Afin d'éviter les brûlures, faites en sorte que la peau nue n'entre pas en contact avec les surfaces chaudes. Si l'appareil est muni de poignées, utilisez-les pour le déplacer. Gardez les matériaux combustibles tels que les meubles, les oreillers, la literie, le papier, les vêtements et les rideaux à une distance d'au moins 914 mm (3 pi) du devant de l'appareil.
3.  **MISE EN GARDE :** Faites preuve d'une extrême prudence lorsqu'un radiateur est utilisé par ou à proximité des enfants ou des personnes handicapées et lorsque vous laissez le radiateur en fonction sans surveillance.
4. Si possible, débranchez toujours cet appareil lorsqu'il n'est pas utilisé.
5. N'utilisez pas un appareil de chauffage dont le cordon d'alimentation ou la fiche est endommagé(e) ou encore si l'appareil ne fonctionne plus correctement, s'il a été échappé ou s'il est endommagé de quelque manière que ce soit.
6. Toute réparation de cet appareil doit être confiée à un technicien qualifié.
7. En aucun cas cet appareil ne peut être modifié. Les pièces qui doivent être retirées pour assurer l'entretien doivent être remises en place avant toute réutilisation de cet appareil.
8. Ne l'utilisez pas à l'extérieur.
9. Cet appareil de chauffage n'est pas conçu pour être utilisé dans les salles de bain, les buanderies ou dans tout autre endroit intérieur similaire. Ne placez jamais cet appareil là où il pourrait tomber dans une baignoire ou tout autre contenant rempli d'eau.
10. Ne placez jamais cet appareil en position élevée, par exemple sur une étagère, une plate-forme surélevée, etc.
11. Ne faites pas passer le cordon d'alimentation sous une moquette. Ne recouvrez pas le cordon d'alimentation de carpettes, tapis de couloir ou autres objets semblables. Placez le cordon d'alimentation à l'écart des endroits passants, là où il sera impossible de trébucher dessus.
12. Pour débrancher cet appareil, mettez d'abord les commandes en position d'arrêt, puis retirez la fiche de la prise de courant.
13. Branchez uniquement sur des prises de courant correctement mises à la terre.
14. Lors de l'installation, veillez à ce que le foyer soit mis à la terre conformément aux codes locaux, à la plus récente version du Code canadien de l'électricité, CSA C22.1 ou, dans le cas des installations aux É.-U., aux codes locaux et au code national de l'électricité, ANSI/NFPA N° 70.
15. N'insérez ou ne laissez aucun objet pénétrer dans les bouches d'aération ou de sortie d'air de l'appareil, car ceci pourrait entraîner un choc électrique, un incendie ou endommager l'appareil.
16. Afin de prévenir les risques d'incendie, n'obstruez d'aucune manière les prises ou les sorties d'air. Évitez d'utiliser l'appareil sur une surface molle, comme un lit, où les ouvertures pourraient être obstruées.
17. Cet appareil comporte des pièces chaudes produisant des décharges électriques ou des étincelles à l'intérieur. Évitez d'utiliser cet appareil dans un endroit où sont entreposés ou utilisés des liquides inflammables tels que de l'essence, de la peinture ou autres. Cet appareil ne doit pas être utilisé comme un séchoir pour le linge, et ni bas de Noël, ni décorations ne peuvent y être accrochés ou placés tout près.
18. Utilisez cet appareil en vous conformant strictement aux instructions contenues dans ce guide. Toute autre forme d'utilisation non conforme aux instructions du fabricant pourrait entraîner des incendies, des chocs électriques ou des blessures corporelles.
19. Branchez toujours les appareils de chauffage directement dans une prise de courant murale. Branchez toujours l'appareil sur une prise murale. N'utilisez jamais de rallonge ni de prise mobile (barre d'alimentation).
20. N'utilisez pas cet appareil si des pieds manquent, sont endommagés ou cassés.
21. «CONSERVEZ CES INSTRUCTIONS»



## BRANCHEMENT ÉLECTRIQUE

Un circuit de 15 A, 120 V, 60 Hz correctement mis à la terre est requis. Il est préférable de réserver un circuit à l'appareil, car d'autres appareils alimentés par le même circuit pourraient causer le déclenchement du disjoncteur ou faire griller le fusible lorsque le radiateur est en fonction. L'appareil est muni d'un cordon trifilaire de 1,8 m (6 pi) qui se trouve du côté droit du foyer. Branchez toujours l'appareil directement sur une prise murale. N'utilisez jamais de rallonge ni de prise mobile (barre d'alimentation).



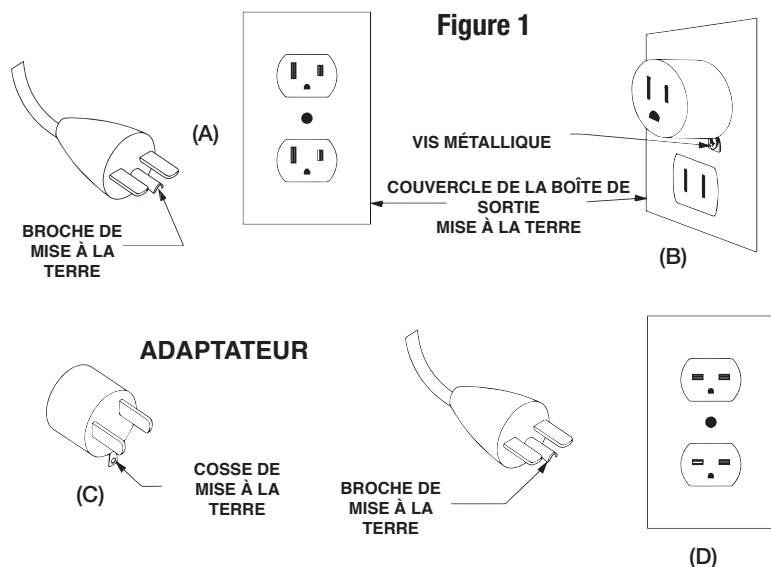
Le câblage de la prise électrique doit être conforme aux codes du bâtiment locaux et à toute autre réglementation applicable afin de réduire le risque d'incendie, de choc électrique ou de blessure.



N'utilisez pas ce foyer si une partie a été immergée. Appelez immédiatement un technicien qualifié qui inspectera le foyer et remplacera toute pièce du circuit électrique qui a été immergée.

## DIRECTIVES DE MISE À LA TERRE

Ce radiateur est conçu pour être utilisé sur un circuit de 120 volts. Le cordon est doté d'une fiche (illustration A, figure 1). Un adaptateur illustré en C permet de brancher les fiches à trois broches avec mise à la terre sur des prises femelles à deux fentes. La cosse de mise à la terre verte de l'adaptateur doit être branchée à une mise à la terre permanente comme une boîte de sortie correctement mise à la terre. N'utilisez pas l'adaptateur si une prise à trois fentes mise à la terre est disponible.



**REMARQUE :**  
les adaptateurs NE doivent PAS être utilisés au Canada.

## GARANTIE LIMITÉE D'UN (1) AN

### CE QUI EST COUVERT

Le fabricant garantit que votre nouveau foyer électrique est exempt de défauts de matériau et de fabrication pour une période d'un an à compter de la date d'achat, sous réserve des conditions et limitations suivantes.

Les variations dans la couleur bois et finitions qui peut résulter de caractéristiques naturelles du bois, tels que les dessins du grain, les traînées minérales, ainsi de suite, ne sont pas considérées comme des défauts. Comme le bois continue de se déplacer et de vieillir, vous remarquerez peut-être ces légères différences de couleur, même sur différentes parties de toute unité individuelle. Les nœuds et de légères fissures superficielles sont la véritable personnalité d'une pièce de qualité de mobilier en bois.

Ce foyer électrique doit être installé et fonctionner en tout temps conformément aux instructions fournies avec le produit. Toute altération, abus volontaire, accident ou mauvais usage du produit annulera cette garantie. Cette garantie n'est pas transférable et est faite au propriétaire d'origine, à condition que l'achat a été effectué par l'intermédiaire d'un fournisseur agréé du fabricant. Cette garantie est limitée à la réparation ou au remplacement de la pièce qui comporte un défaut de matériel ou de fabrication, à condition que cette pièce ait été soumise à des conditions normales d'utilisation et de service, après que ledit défaut soit confirmé par l'inspection du fabricant. Le fabricant peut, à sa discrétion, assumer pleinement toutes ses obligations à l'égard de cette garantie en remboursant le prix de gros de la pièce défectueuse.

### QU'EST-CE QUI N'EST PAS COUVERT

Toute installation, travail, construction, transport ou autres frais connexes/dépenses découlant de pièce(s) défectueuse(s), réparation, remplacement, ou sinon de même, ne sont pas couverts par cette garantie, ni que le fabricant assume la responsabilité de même. En outre, le fabricant ne pourra être tenu pour responsable de tout dommage indirect, ou dommages indirects, sauf dans les cas prévus par la loi.

Toutes les autres garanties - expresses ou implicites - en ce qui a trait au produit, ses composants et accessoires, ou toutes les obligations ou responsabilités de la part du fabricant sont expressément exclues. Le fabricant n'assume, ni n'autorise aucun tiers à assumer en son nom toute autre passif à l'égard de la vente de ce produit. Les garanties décrites dans le présent document ne s'appliquent pas aux accessoires, autres que ceux du fabricant, utilisés en conjonction avec l'installation de ce produit.

Cette garantie ne couvre pas les ampoules incluses avec le foyer.

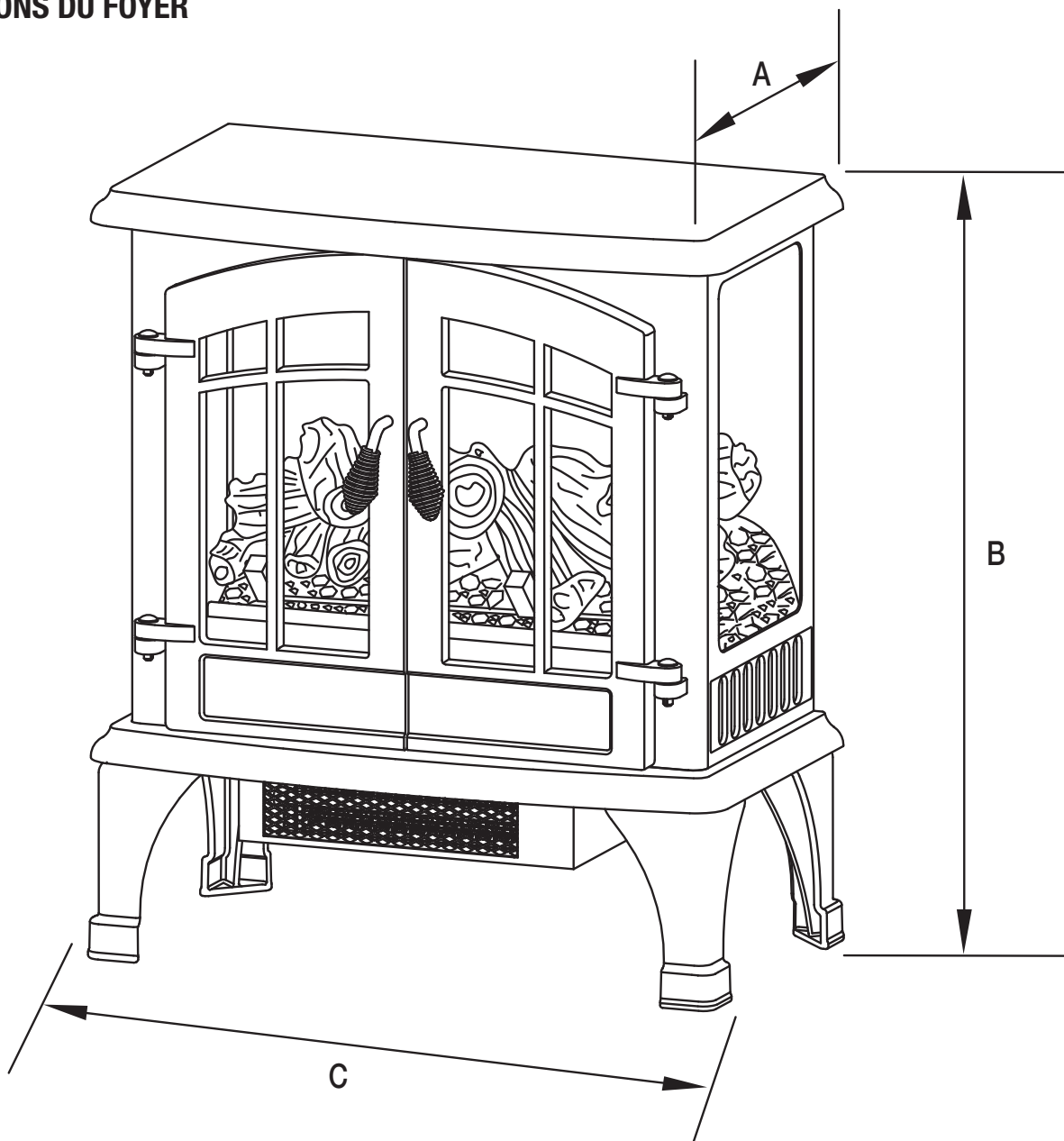
Cette garantie est nulle si : le foyer a été utilisé dans une atmosphère contaminée par du chlore, du fluor, ou autres produits chimiques nuisibles; le foyer est soumis à des périodes prolongées d'humidité ou de condensation; le foyer est modifié, sciemment abusé, endommagé par accident, utilisation abusive de quelque façon.

Si une réparation sous garantie est nécessaire, contactez l'équipe de Service à la clientèle au 855-HD-HAMPTON de 8 h - 18 h, heures normales de l'Est, du lundi au vendredi ou visitez [www.hamptonbay.com](http://www.hamptonbay.com).

Assurez-vous d'avoir votre garantie, votre reçu de vente et le modèle/numéro de série de votre produit.

**NE PAS TENTER DE FAIRE TOUT TRAVAIL D'ENTRETIEN VOUS-MÊME.**

## DIMENSIONS DU FOYER



Ref.	EST-534T-10
A	27,94 cm (11 po)
B	58,42 cm (23 po)
C	50,8 cm (20 po)

Caractéristiques techniques	
Tension	120V AC
Fréquence	60HZ
Intensité max	12.5A
Puissance nominale du chauffage	1500W



## Pré-installation (suite)

### OUTILS REQUIS



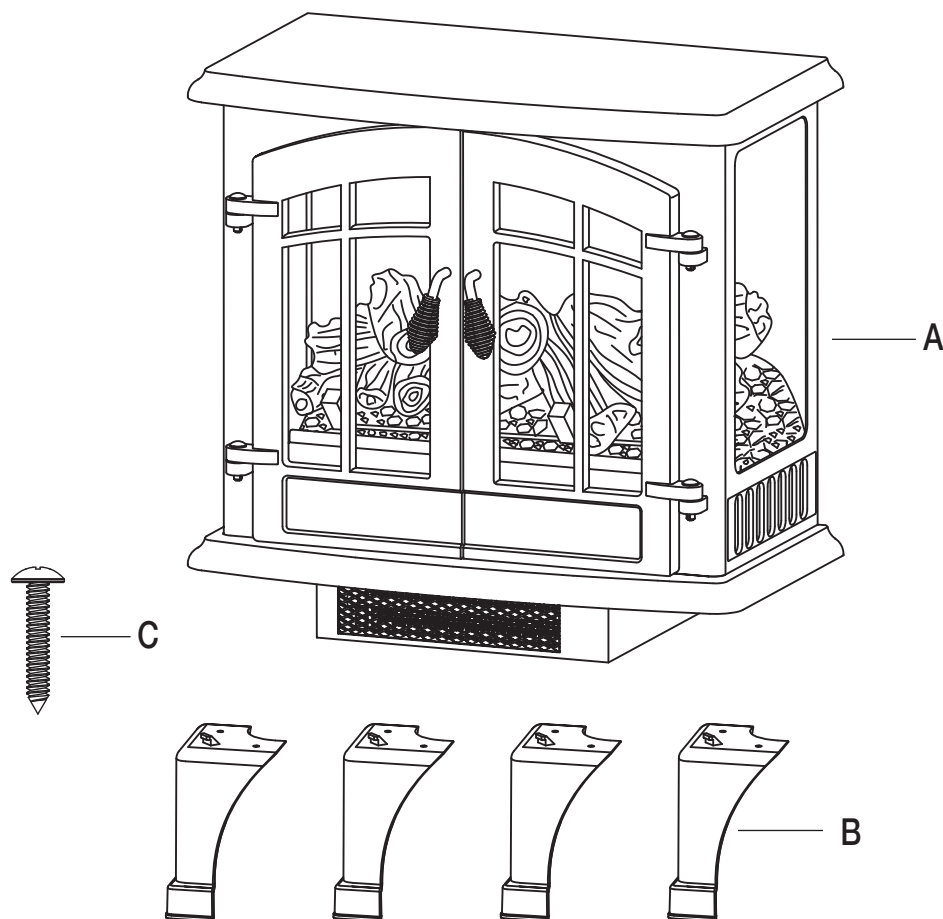
Tournevis  
cruciforme  
(non compris)

### CONTENU DE L'EMBALLAGE

Ouvrez le foyer et vérifiez soigneusement s'il présente un dommage visible. En cas d'un problème quelconque d'installation, d'utilisation, ou de pièces manquantes ou endommagées, veuillez communiquer avec l'équipe du service à la clientèle au 1 877 527-0313.

NE JETEZ PAS l'emballage tant que vous n'êtes pas satisfait de votre foyer.

NE RETOURNEZ PAS l'appareil au magasin avant d'avoir communiqué avec le service à la clientèle au 1 877 527-0313.



Pièce	Description	Quantité
A	Foyer électrique	1
B	Pied	4
C	Vis	8

# Installation

Le foyer devrait être situé dans un endroit :

- Non exposé à la lumière directe du soleil
- Protégé de l'humidité
- Éloigné de tout mur extérieur non isolé.



## MISE EN GARDE

- Le foyer est lourd et devrait être assemblé près de son emplacement.
- Il est conseillé de se mettre à deux pour déplacer le foyer assemblé afin d'éviter les blessures.

## ÉCART AUX COMBUSTIBLES

Côtés	101,6 mm (4 po)
Sol	0 mm (0 po)
Dessus	914 mm (36 po)
Avant	914 mm (36 po)
Arrière	0 mm (0 po)

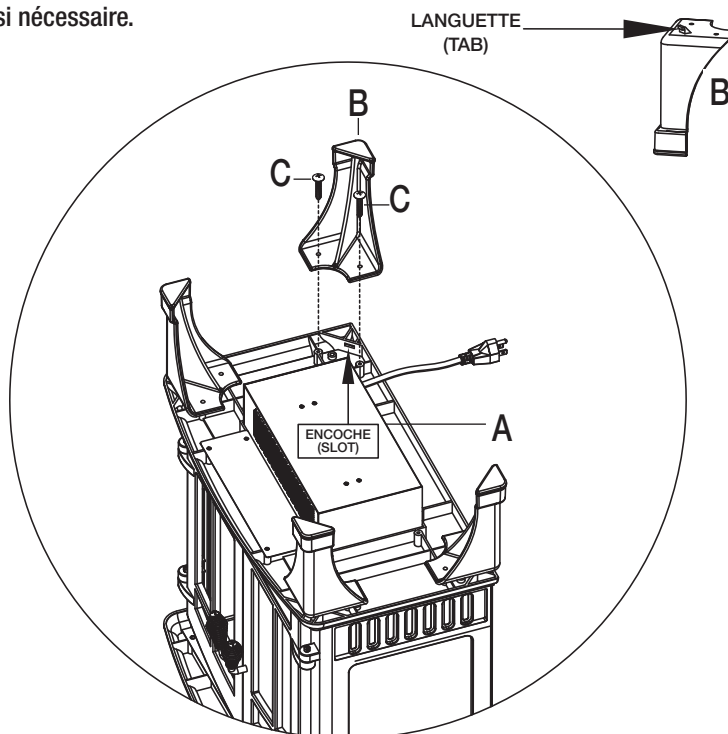


## MISE EN GARDE

N'installez pas cet appareil sur une étagère, une plate-forme surélevée, un lit, des couvertures, des oreillers, etc. Gardez les matériaux combustibles comme les meubles, les oreillers, la literie, le papier, les vêtements et les rideaux à une distance d'au moins 914 mm (3 pi) du foyer.

## INSTRUCTIONS D'ASSEMBLAGE

1. Posez le foyer (A) à l'envers sur une surface rembourrée de manière à rendre le dessous accessible. Fixez le pied (B) sur le foyer en insérant la languette en haut du pied (B) dans l'encoche correspondante sur le dessous du foyer (A). Insérez deux vis (C) dans les trous pré-percés et serrez bien.  
Faites de même pour les trois autres pieds.
2. Positionnez le foyer contre le mur avec précaution.
3. Branchez le cordon d'alimentation dans la prise de courant de 15 A, 120 V. Utilisez une rallonge homologuée pour une puissance nominale minimum de 1875 watts si nécessaire.



## ATTENTION

Veillez à ce que l'appareil soit installé de telle sorte que le cordon d'alimentation ne soit pas comprimé contre le foyer ou pincé par le foyer et que son cheminement jusqu'à la prise de courant mise à la terre ne soit pas obstrué.

# Utilisation

## Lisez toutes les instructions avant utilisation.

Vérifiez que la grille de sortie de l'appareil de chauffage n'est ni couverte ni obstruée d'une manière quelconque et assurez-vous que l'appareil a été mis sous tension.

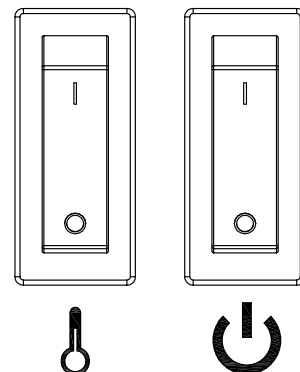
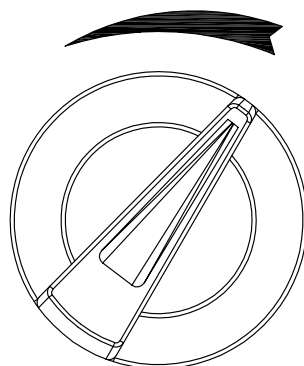


**REMARQUE :** La première fois que l'appareil de chauffage est utilisé, il peut dégager une légère odeur. Ceci est normal et ne devrait pas se reproduire à moins que l'appareil de chauffage ne soit pas utilisé pendant une longue période.

## 1 Utilisation du panneau de commande

- Le panneau de commande se trouve derrière les portes du foyer.

- **Interrupteur marche - arrêt :** L'interrupteur  marche/arrêt doit être à la position **MARCHE** pour faire fonctionner chaque caractéristique du foyer.
- **Les flammes :** Mettez l'interrupteur à **MARCHE**. Le voyant s'allumera et les flammes seront visibles à travers la vitre.
- **Température :** Mettez l'interrupteur à  **MARCHE**. Le bouton de réglage de la température vous permet d'ajuster la température de la pièce. Vous augmentez la température en tournant le bouton dans le sens des aiguilles d'une montre ; vous diminuez la température en tournant dans le sens inverse des aiguilles d'une montre. Vous pourrez ainsi régler la température ambiante.
- **Limiteur de Température :** L'appareil de chauffage est muni d'un limiteur de température. L'appareil s'éteindra automatiquement si la température est trop élevée. Redémarrage: Débranchez le cordon de la prise de courant. Attendez 5 minutes (l'interrupteur doit être à la position **ARRÊT**). Rebranchez le cordon dans la prise de courant.



# Maintenance

## VITRE

- En aucun cas, ne pouvez-vous utiliser ce produit avec une vitre cassée.
- Ne frappez pas la vitre et ne la claquez pas.
- N'utilisez pas de nettoyeurs abrasifs pour nettoyer la vitre.
- Ce produit présente une vitre en verre trempé. Le remplacement de la vitre fournie par le fabricant doit être effectué par un technicien qualifié.

## INSPECTION ET REMPLACEMENT DES AMPOULES

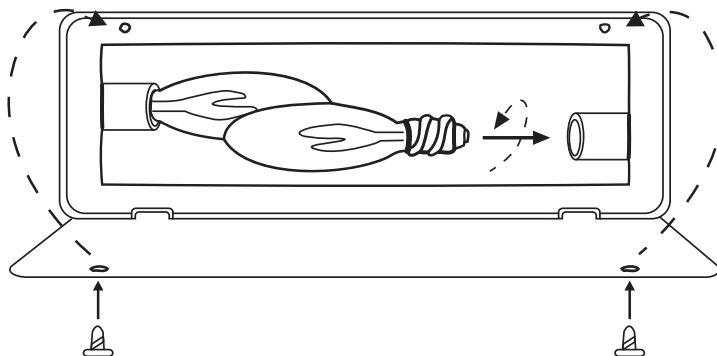
L'effet de flammes est réalisé au moyen de deux ampoules électriques de 40 watts avec un petit culot E-12. Utilisez seulement ce type d'ampoule électrique. Si l'effet de flammes ne marche pas, les ampoules peuvent s'être desserrées ou avoir été endommagées pendant l'expédition.



### ATTENTION

Les ampoules deviennent brûlantes pendant leur utilisation. Laissez-les refroidir pendant au moins 10 minutes avant de les toucher.

Pour inspecter ou remplacer les ampoules, débranchez d'abord le cordon d'alimentation de la prise de courant. Repérez le panneau d'accès au dos du foyer. Retirez les vis et le panneau. Vérifiez les ampoules pour vous assurer qu'elles sont manuellement serrées et en état de fonctionnement. Remplacez toute ampoule endommagée ou défectueuse. Remettez le panneau d'accès et re-fixez-le. Ne faites pas fonctionner cet appareil de chauffage sans le panneau d'accès en place. Ne retirez pas le panneau arrière de cet appareil de chauffage. Aucune pièce nécessitant un entretien ne se trouve à l'intérieur.



### MISE EN GARDE

Ne dépassez pas 40 watts par ampoule. L'utilisation d'ampoules plus puissantes peut provoquer un incendie et causer des dommages matériels ou des blessures.

## ENTRETIEN DES MOTEURS

Débranchez toujours l'appareil de la principale source de courant électrique et laissez-le refroidir avant tout entretien.

Les moteurs utilisés pour le ventilateur et le souffleur de flammes sont pré-lubrifiés pour une vie prolongée des roulements et ne requièrent aucune lubrification supplémentaire. Toutefois, il est recommandé de nettoyer et de passer l'aspirateur régulièrement autour des prises et sorties d'air ainsi qu'autour du ventilateur du chauffage. En cas d'utilisation intensive ou continue, le nettoyage régulier doit devenir plus fréquent. Si l'appareil de chauffage souffle en alternance de l'air froid et de l'air chaud, inspectez le ventilateur pour vous assurer qu'il peut fonctionner librement et que des débris ne gênent pas le débit d'air. Si le ventilateur ne fonctionne pas librement, il faut éteindre l'appareil et remplacer immédiatement le ventilateur pour ne pas endommager davantage l'appareil.

## Entretien et nettoyage

Veillez à ÉTEINDRE le foyer et à débrancher le cordon d'alimentation de la prise de courant électrique avant de le nettoyer. Enlevez et nettoyez la poussière et la saleté de l'appareil de chauffage et des événements avec un aspirateur ou un linge à épousseter. Pour préserver le fini, nettoyez avec un linge doux légèrement humide et faites briller avec un linge sec. N'utilisez jamais de nettoyeurs abrasifs, de liquides pulvérisés ou tout autre nettoyeur qui pourrait égratigner la surface.

# Schéma de câblage électrique

 **DANGER**



Débranchez l'alimentation électrique avant d'effectuer les travaux d'entretien.

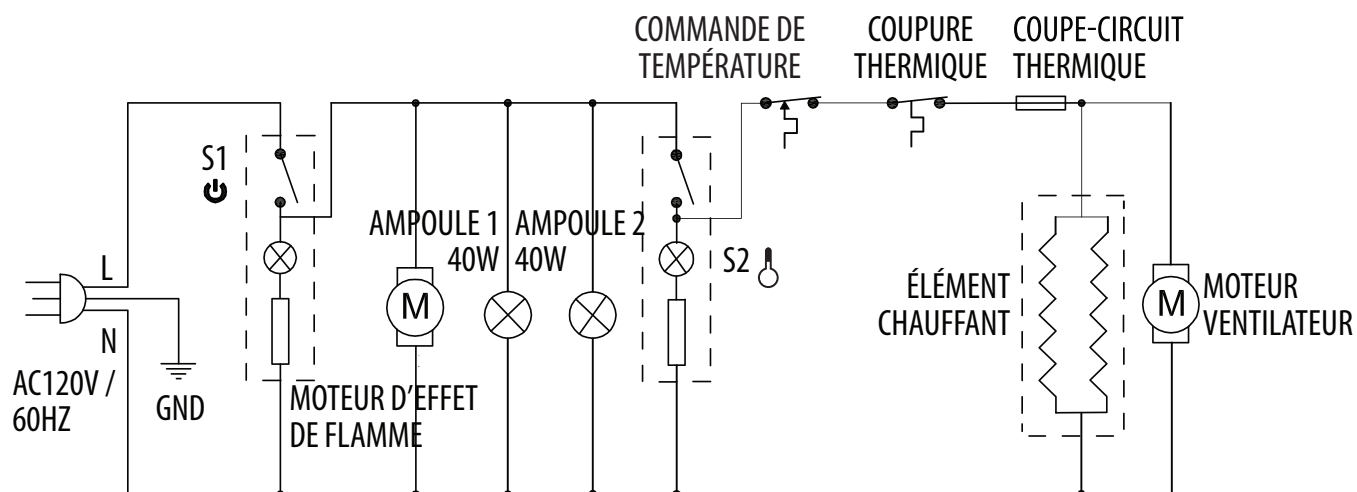


Tout renouvellement du câblage de cet appareil doit être effectué par un électricien agréé. Veillez à ce que le câblage soit effectué conformément aux codes locaux ou, au Canada, à la plus récente version du Code canadien de l'électricité, CSA C22.1 ou, dans le cas des installations aux É.-U., au code national de l'électricité, ANSI/NFPA N° 70.



En cas de réparation ou de remplacement d'un composant ou d'un câble électrique, respectez l'acheminement des câbles, les codes de couleur et les emplacements de fixation d'origine.

## SCHÉMA DE CÂBLAGE



**AVERTISSEMENT** : Coupez l'alimentation avant d'effectuer l'entretien

# Dépannage

Si vous avez des questions concernant ce produit, appelez le service à la clientèle de Hampton Bay au 855-HD-HAMPTON, de 8 h à 18 h heure normale de l'Est, du lundi au vendredi.

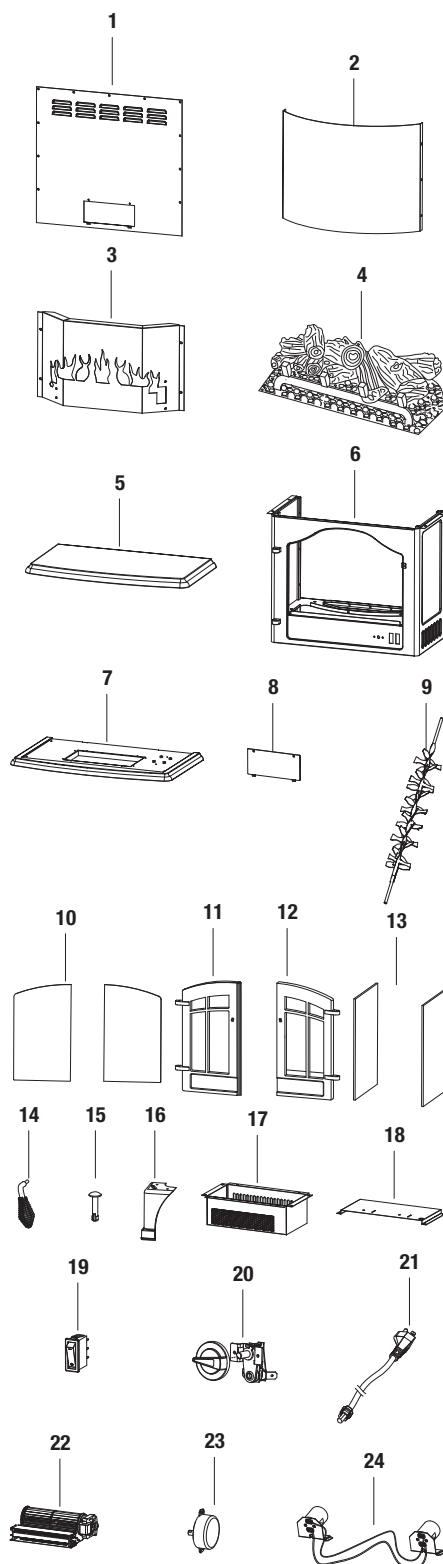
Problème	Cause possible	Mesure corrective
Le foyer ne fonctionne pas.	<ul style="list-style-type: none"> <li><input type="checkbox"/> Le foyer n'est pas branché.</li> <li><input type="checkbox"/> Un disjoncteur s'est déclenché ou un fusible a sauté.</li> <li><input type="checkbox"/> Interrupteur de MARCHE/ARRÊT défectueux.</li> <li><input type="checkbox"/> Fils desserrés.</li> </ul>	<ul style="list-style-type: none"> <li><input type="checkbox"/> Assurez-vous que le foyer est branché dans une prise de courant standard de 120 V.</li> <li><input type="checkbox"/> Inspectez les autres appareils branchés sur le même circuit; idéalement le foyer devrait être branché sur son propre circuit de 15 ampères.</li> <li><input type="checkbox"/> Appelez le service à la clientèle.</li> <li><input type="checkbox"/> Appelez le service à la clientèle.</li> </ul>
Le voyant lumineux de la Mise sous tension est allumé mais l'effet de flamme n'est pas visible.	<ul style="list-style-type: none"> <li><input type="checkbox"/> Manipulation incorrecte.</li> <li><input type="checkbox"/> Ampoule(s) électrique(s) desserrée(s).</li> <li><input type="checkbox"/> Ampoule(s) électrique(s) grillée(s).</li> </ul>	<ul style="list-style-type: none"> <li><input type="checkbox"/> Consultez le mode d'emploi.</li> <li><input type="checkbox"/> Serrez la ou les ampoules électriques.</li> <li><input type="checkbox"/> Remplacez la ou les ampoules électriques.</li> </ul>
Le chauffage ne marche pas.	<ul style="list-style-type: none"> <li><input type="checkbox"/> Manipulation incorrecte.</li> <li><input type="checkbox"/> Interrupteur du chauffage défectueux.</li> <li><input type="checkbox"/> Ensemble chauffant défectueux.</li> <li><input type="checkbox"/> Fils desserrés.</li> <li><input type="checkbox"/> Événements sales ou obstrués.</li> </ul>	<ul style="list-style-type: none"> <li><input type="checkbox"/> Consultez le mode d'emploi.</li> <li><input type="checkbox"/> Appelez le service à la clientèle.</li> <li><input type="checkbox"/> Appelez le service à la clientèle.</li> <li><input type="checkbox"/> Appelez le service à la clientèle.</li> <li><input type="checkbox"/> Débranchez l'appareil. Enlevez la poussière et les débris autour des événements. Attendez dix minutes, rebranchez l'appareil et rallumez le chauffage.</li> </ul>
Bruit excessif lorsque le chauffage fonctionne.	<ul style="list-style-type: none"> <li><input type="checkbox"/> Ventilateur défectueux.</li> <li><input type="checkbox"/> Ensemble chauffant défectueux.</li> </ul>	<ul style="list-style-type: none"> <li><input type="checkbox"/> Appelez le service à la clientèle.</li> <li><input type="checkbox"/> Appelez le service à la clientèle.</li> </ul>

# Pièces de rechange

Si vous avez des questions concernant ce produit, appelez le service à la clientèle de Hampton Bay au 855-HD-HAMPTON, de 8 h à 18 h heure normale de l'Est, du lundi au vendredi.

## FINI NOIR MAT

Ref.	Description	Pièce n°
1	Panneau arrière	EFES323001ST
2	Écran	EFEST332T001ST
3	Panneau à flammes	EFEST332T002ST
4	Ensemble de bûches	EFEST332T003ST
5	Panneau de dessus	EFES323005ST
6	Panneau d'armoire	EFEST332T004ST
7	Panneau de dessous	EFES323007ST
8	Panneau d'accès	EFES323008ST
9	Réflecteur de flammes	EFEST332T005ST
10	Vitre	EFEST534T001ST
11	Porte gauche	EFEST534T002ST
12	Porte droite	EFEST534T003ST
13	Vitre latérale	EFEST332T008ST
14	Poignée	EFES323012ST-14
15	Tige à charnière	EFES323013ST
16	Pied (Modèle 3)	EFEST333T003ST
17	Boîte de chauffage ventilateur	EFES323015ST
18	Écran protecteur de la lumière	EFEST332T018ST
19	Interrupteur	EFES323017ST
20	Thermostat	EFES322006ST
21	Cordon d'alimentation et connecteur	EFES323018ST
22	Radiateur Infrarouge	EFES322007ST-14
23	Moteur	EFES323020ST
24	Douille et support de lampe	EFES323021ST



## FINI BLANC

Ref.	Description	Pièce n°
1	Panneau arrière	EFES323001ST
2	Écran	EFEST332T001ST
3	Panneau à flammes	EFEST332T002ST
4	Ensemble de bûches	EFEST332T003ST
5	Panneau de dessus	EST5345001ST
6	Panneau d'armoire	EST5345002ST
7	Panneau de dessous	EST5345003ST
8	Panneau d'accès	EFES323008ST
9	Réflecteur de flammes	EFEST332T005ST
10	Vitre	EFEST534T001ST
11	Porte gauche	EST5345004ST
12	Porte droite	EST5345005ST
13	Vitre latérale	EFEST332T008ST
14	Poignée	EST5345006ST
15	Tige à charnière	EST5345007ST
16	Pied (Modèle 3)	EST5345008ST
17	Boîte de chauffage ventilateur	EFES323015ST
18	Écran protecteur de la lumière	EFEST332T018ST
19	Interrupteur	EFES323017ST
20	Thermostat	EFES322006ST
21	Cordon d'alimentation et connecteur	EFES323018ST
22	Radiateur Infrarouge	EFES322007ST-14
23	Moteur	EFES323020ST
24	Douille et support de lampe	EFES323021ST

Certaines pièces et spécifications peuvent être modifiées sans préavis.



Questions, problèmes, pièces manquantes? Avant de retourner au magasin,  
appelez le service à la clientèle de Hampton Bay  
de 8h à 18h, heure normale de l'Est, du lundi au vendredi

**855-HD-HAMPTON**

**HAMPTONBAY.COM**

Conservez ce manuel pour un usage ultérieur.

Fabriqué par : GHP Group, Inc. • 6440 W. Howard St. • Niles, IL 60714-3302



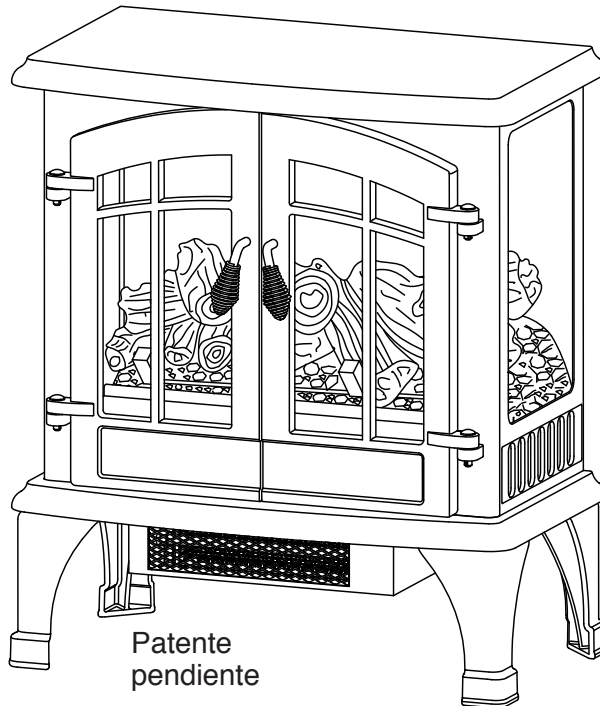
Artículo # 1001-010-530  
# 1000-048-482  
# 205109447  
# 207001168



Modelo # EST-534T-10  
# EST-534T-10-Y  
# EST-534T-50-Y

# GUÍA DE USO Y MANTENIMIENTO

## ESTUFA INFRARROJA PANORÁMICA LEGION



Patente  
pendiente



### INSTRUCCIONES IMPORTANTES

POR FAVOR LEE ESTE MANUAL ANTES DE INSTALAR Y USAR ESTE ELECTRODOMÉSTICO

#### ¡ADVERTENCIA!

SI LA INFORMACIÓN EN ESTE MANUAL NO SE SIGUE EXACTAMENTE,  
PUEDE PRODUCIRSE UNA DESCARGA ELÉCTRICA O INCENDIO, LO QUE PUEDE CAUSAR  
DAÑOS A LA PROPIEDAD, LESIONES PERSONALES O LA MUERTE.

INSTALADOR: Conserva este manual con el electrodoméstico.  
CONSUMIDOR: Conserva este manual para consultarlo en el futuro.

¿Preguntas, problemas o piezas faltantes? Antes de regresar a la tienda,  
llama al Servicio al Cliente de Hampton Bay de  
lunes a viernes entre 8 a.m. y 6 p.m., (hora del Este de EEUU)

855-HD-HAMPTON HAMPTONBAY.COM

#### GRACIAS

Apreciamos la confianza que ha depositado en Hampton Bay por la compra de esta estufa eléctrica. Nos esforzamos por crear continuamente productos de calidad diseñados para mejorar su hogar. Visítenos en internet para ver nuestra línea completa de productos disponibles para sus necesidades de mejorar su hogar. ¡Gracias por elegir a Hampton Bay!

# Índice

Índice .....	30	Instalación .....	36
Información de Seguridad .....	31	Funcionamiento .....	37
Garantía .....	33	Cuidado y Mantenimiento .....	38
Pre-Instalación .....	34	Diagrama del Cableado Eléctrico .....	39
Dimensiones de la Estufa .....	34	Solución de Problemas .....	40
Herramientas Necesaria .....	35	Lista de Piezas de Repuesto .....	41
Contenido del Paquete .....	35		



**IMPORTANTE:** Lee todas las instrucciones y advertencias antes de comenzar la Instalación. No seguir estas instrucciones puede resultar en una posible descarga eléctrica, lesiones a las personas, riesgo de incendio y anulará la garantía.

Por favor lee las Instrucciones de Instalación y Funcionamiento antes de usar este electrodoméstico.




## PRECAUCIÓN

PUEDE OCURRIR DAÑO DEL PRODUCTO.

Nunca intentes desensamblar o modificar el producto de ninguna forma que no se indique en este manual.

# Información de Seguridad

1. Lea todas las instrucciones antes de usar este electrodoméstico.
2. Este electrodoméstico se calienta cuando está en uso. Para evitar quemaduras, no toques las partes calientes con la piel descubierta. Al moverlo, sujeta este electrodoméstico por las asas, si las tiene. Mantén los materiales inflamables, como muebles, almohadas, ropa de cama, papeles, ropa y cortinas al menos a 92 cm de distancia de la parte frontal de este electrodoméstico.
3.  **PRECAUCIÓN:** Precauciones extremas son necesarias cuando cualquier calefactor sea utilizado por, o cerca de niños o personas discapacitadas, y cuando el calefactor se deje encendido sin supervisión.
4. Si es posible, desconecta siempre este electrodoméstico cuando no esté en uso.
5. No utilices ningún calefactor con un cable o enchufe dañado, o después de que este electrodoméstico falle, o haya sufrido caídas o daños de cualquier tipo.
6. Cualquier reparación a este producto debe ser llevada a cabo por una persona de servicio calificada.
7. Bajo ninguna circunstancia debe modificarse este electrodoméstico. Las piezas que necesitan retirarse para prestarles servicio deben ser reemplazadas antes de usar este electrodoméstico de nuevo.
8. No usar en exteriores.
9. Este calefactor no está diseñado para uso en baños, áreas de lavado y otros sitios interiores similares. Nunca coloques este electrodoméstico donde pueda caerse en una bañera o recipiente con agua.
10. No uses este calefactor en lugares elevados, como estantes, plataformas elevadas, etc.
11. No pasar el cable debajo de alfombras. No cubras el cable con tapetes, alfombras de pasillo o cubiertas similares. Coloca el cable lejos de las zonas de alto tráfico, donde alguien pueda enredarse con él y caer.
12. Para desconectar este electrodoméstico, gira los controles a la posición de apagado, luego quita el enchufe del tomacorriente.
13. Sólo conéctalo a tomacorrientes que estén apropiadamente conectados a tierra.
14. Al instalar este electrodoméstico, debe conectarse a tierra de acuerdo con los códigos locales, con los códigos eléctricos canadienses actuales CSA C22.1 o para las instalaciones en EE. UU., cumplir con todos los códigos locales y el Código Nacional de Electricidad, ANSI/NFPA Núm. 70.
15. No insertes, ni permitas que caigan objetos extraños en ninguna de las salidas de ventilación o escape; ello podría causar descargas eléctricas o incendios, o podría dañar el electrodoméstico.
16. Para evitar posibles incendios, no bloquee las entradas o salidas de aire por ningún medio. No usar en superficies suaves, como una cama, donde las salidas puedan bloquearse.
17. Este electrodoméstico tiene en su interior piezas calientes y que chispean. No lo uses en áreas en las que se guarda gasolina, pintura u otros líquidos inflamables. Este electrodoméstico no debe usarse como una estantería para secar ropa, ni para colgar medias o decoraciones de Navidad de él o cerca de él.
18. Usa este electrodoméstico sólo de la manera en la que se describe en este manual. Cualquier otro tipo de uso distinto al recomendado por el fabricante puede causar incendios, descargas eléctricas o lesiones a personas.
19. Siempre conecta los calefactores directamente al tomacorriente/receptáculo de pared. Siempre enchufe la unidad en un tomacorriente/ receptáculo de la pared. Nunca deben usarse una extensión eléctrica ni un tomacorriente de alimentación reubicable (tomacorriente/enchufe múltiple).
20. No uses este calefactor si le faltan las patas o están dañadas o rotas.
21. «GUARDA ESTAS INSTRUCCIONES»

## PELIGRO



### CONEXIÓN ELÉCTRICA

Se requiere un circuito de 15 Amperios, 120 Voltios y 60 Hz, con un tomacorriente debidamente conectado a tierra. Preferiblemente, artículo debe estar en un circuito exclusivo, ya que otros electrodomésticos en el mismo circuito pueden causar que el cortacircuitos se active o el fusible se funda cuando el calefactor esté en funcionamiento. La unidad viene de fábrica con un cordón de 6 pies (1,8 m) de 3 cables, que sale por el lado derecho de la estufa eléctrica. Siempre enchufe la unidad en un tomacorriente/receptáculo de la pared. Nunca deben usarse una extensión eléctrica ni un tomacorriente de alimentación reubicable (tomacorriente/enchufe múltiple).



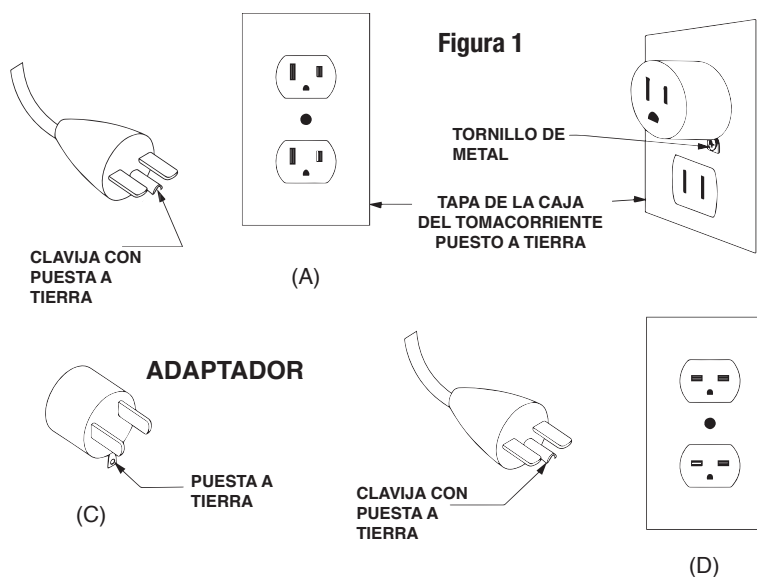
El cableado del tomacorriente eléctrico debe cumplir con los códigos locales de construcción y otras regulaciones que apliquen para disminuir los riesgos de incendio, descarga eléctrica o lesiones personales.



No uses este artículo si alguna pieza ha estado bajo agua. Llama de inmediato a un técnico de servicio calificado para que inspeccione el artículo y reemplace cualquier pieza del sistema eléctrico que haya estado bajo agua.

### INSTRUCCIONES DE CONEXIÓN A TIERRA

El calefactor está diseñado para usarse con 120 voltios. El cable tiene un enchufe como se muestra en (A) en la Figura 1. Un adaptador como el que se muestra en (C) está disponible para conectar los enchufes a tierra de tres espigas a los receptáculos de dos ranuras. La lengüeta verde a tierra que se extiende del adaptador debe conectarse permanentemente a tierra, como un tomacorriente debidamente conectado a tierra. El adaptador no debe usarse si está disponible un receptáculo con conexión a tierra, de tres ranuras.



# Garantía

## GARANTÍA DE 1 AÑO

### LO QUE ESTÁ CUBIERTO

El fabricante garantiza que su nueva estufa eléctrica está libre de defectos de fabricación y materiales por un periodo de un año a partir de la fecha de compra, sujeto a las siguientes condiciones y limitaciones.

Las variaciones en el color real de la madera y los acabados que pueden resultar de las características naturales de la madera, como patrones de grano, marcas minerales y cosas semejantes, no son considerados defectos. A medida la madera envejece, puede notar estas ligeras diferencias en color, incluso en partes diferentes de cualquier unidad individual. Los nudos en buen estado y las grietas ligeras de la superficie son la verdadera personalidad de una pieza de calidad de muebles de madera.

Esta estufa eléctrica debe ser instalada y operada en todo momento de acuerdo con las instrucciones proporcionadas con el producto. Cualquier alteración, abuso intencionado, accidente o mal uso del producto anulará esta garantía. Esta garantía es intransferible y es hecha al propietario original, siempre que la compra fue hecha mediante un proveedor autorizado del fabricante. Esta garantía está limitada a la reparación o reemplazo de pieza(s) que se encuentren defectuosas en materiales o mano de obra, siempre que tal(es) pieza(s) hayan estado sujetas a condiciones normales de uso y servicio, luego de que dicho defecto sea confirmado por la inspección de fabricante. El fabricante puede, a su discreción, liberar de todas las obligaciones, con respecto a esta garantía mediante el reembolso del precio al por mayor de la(s) pieza(s) defectuosa(s).

### LO QUE NO ESTÁ CUBIERTO

Cualquier instalación, trabajo, construcción, transporte u otros costos/gastos que surjan de pieza(s) defectuosa(s), reparación, reemplazo u otra cosa similar, no será cubierta por esta garantía y tampoco el fabricante asumirá responsabilidad por lo mismo. Además, el fabricante no será responsable de ningún daño incidental, indirecto o consecuente, excepto como lo establezca la ley.

Todas las otras garantías, expresas o implícitas, con respecto al producto, sus componentes y accesorios, o cualquier obligación/responsabilidad civil sobre la pieza del fabricante, por la presente se excluyen expresamente. El fabricante tampoco asume, ni autoriza a ninguna tercera parte a asumir, en su nombre, cualquier otra responsabilidad civil con respecto a la venta de este producto. Las garantías como están descritas dentro de este documento, no aplican a accesorios que no son del fabricante usadas junto con la instalación de este producto.

Esta garantía no cubre la(s) bombilla(s) incluidas con la estufa eléctrica.

Esta garantía no tiene validez si: la estufa ha sido operada en atmósferas contaminadas con cloro, flúor u otro químico dañino; la estufa está sujeta a periodos prolongados de humedad o condensación; la estufa es alterada, maltratada intencionalmente, dañada por accidente o usada incorrectamente en cualquier manera.

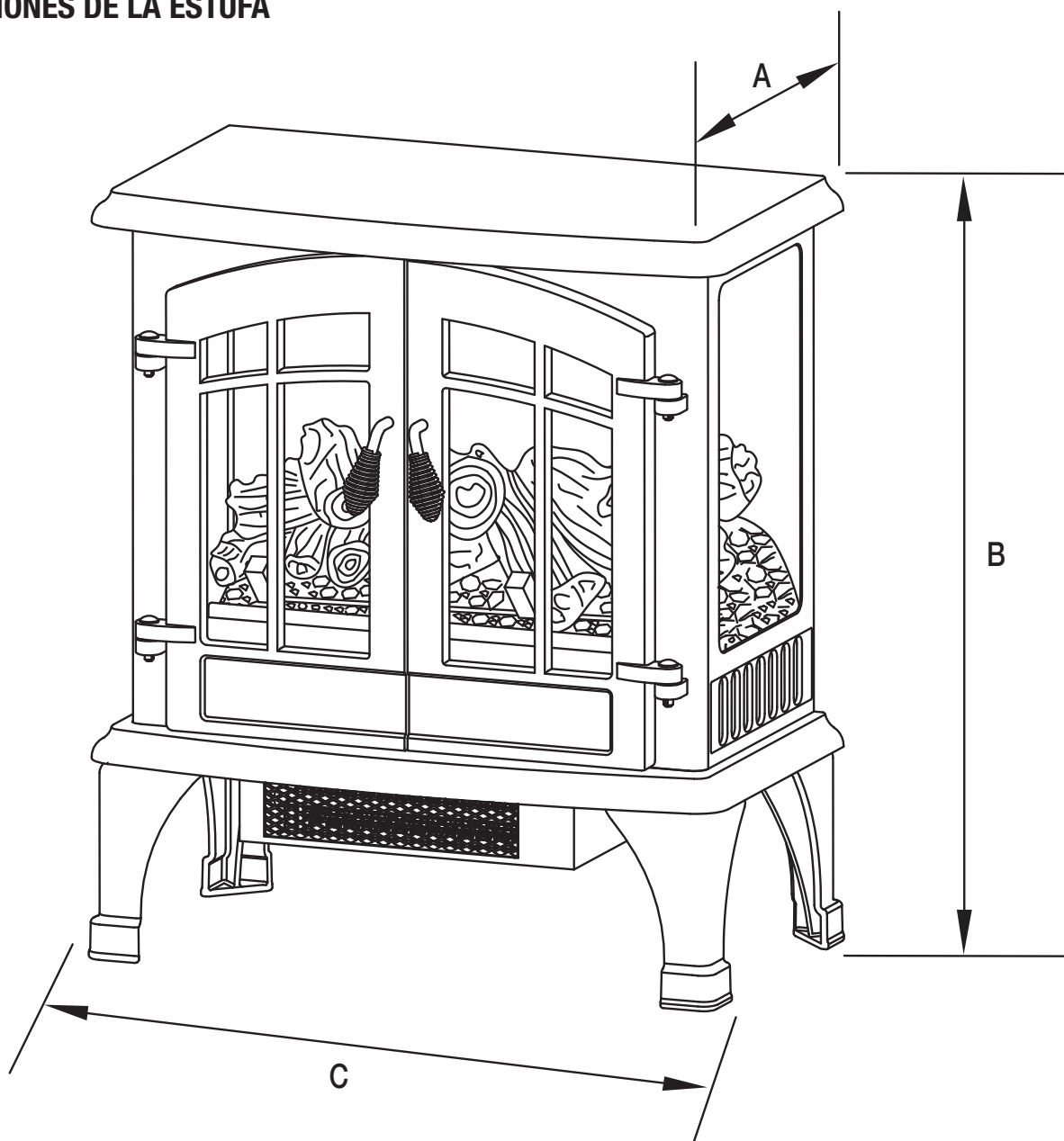
Si se necesita servicio de garantía, póngase en contacto con el Equipo de Servicio al Cliente llamando al 855-HD-HAMPTON de lunes a viernes de 8 a.m. a 6 p.m., hora local del Este o visite [www.hamptonbay.com](http://www.hamptonbay.com).

Asegúrese de tener su garantía, su recibo de venta y el número de modelo/serie de su producto.

**NO INTENTE HACER TRABAJO DE SERVICIO USTED MISMO.**

# Pre-Instalación

## DIMENSIONES DE LA ESTUFA



Ref.	EST-534T-10
A	27.94 cm (11 plg)
B	58.42 cm (23 plg)
C	50.8 cm (20 plg)

Especificaciones técnicas	
Voltaje	120V AC
Frecuencia	60HZ
Amperaje máx	12.5A
Clasificación del calefactor	1500W

# Pre-Instalación (continuación)

## HERRAMIENTAS NECESARIAS



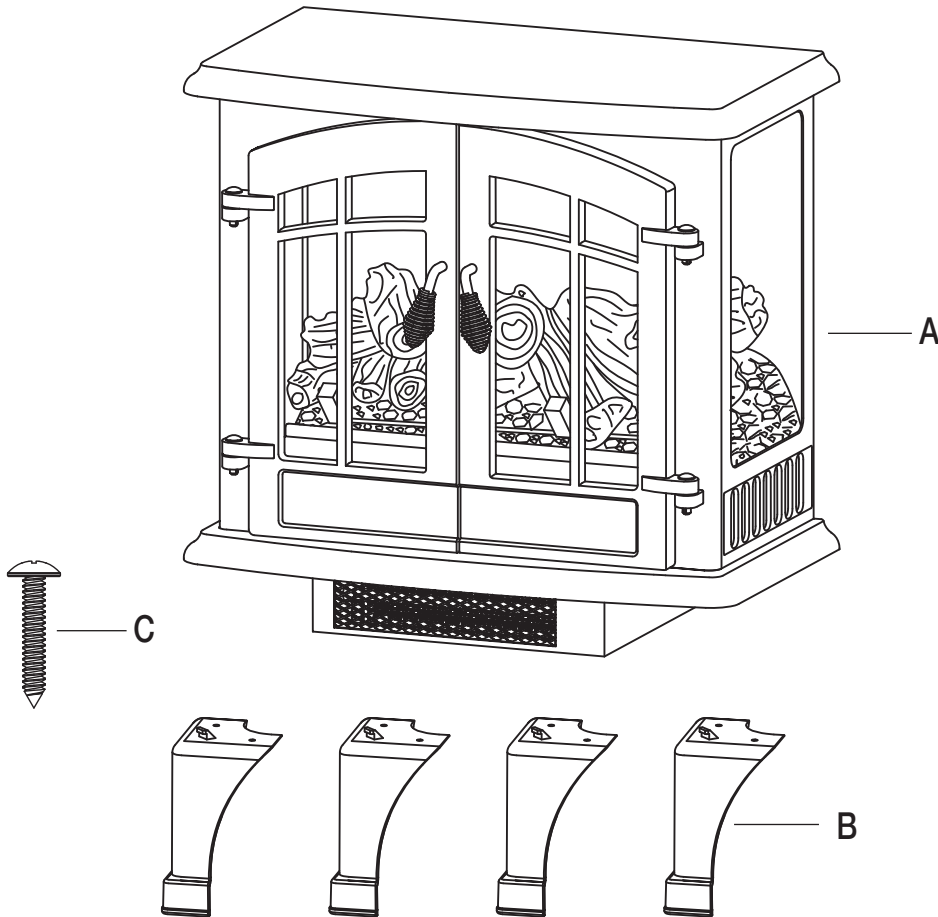
Destornillador  
Phillips  
(no se incluye)

## CONTENIDO DEL PAQUETE

Abre la unidad y revisa con cuidado si hay daños visibles. Si tienes algún problema con la instalación, funcionamiento, piezas faltantes o daños, por favor comunícate con el Equipo de Servicio al Cliente al 855-HD-HAMPTON.

NO deseches el empaque hasta que estés satisfecho con tu estufa.

No devuelvas la unidad a la tienda antes de llamar 855-HD-HAMPTON para obtener servicio.



Pieza	Descripción	Cantidad
A	Estufa eléctrica	1
B	Pata	4
C	Tornillo	8

# Instalación

La estufa debe ubicarse en un área:

- Lejos de la luz solar directa
- No susceptible a la humedad
- Lejos de los cables sin aislamiento fuera de la pared



## ADVERTENCIA

- La estufa es pesada y debe ensamblarse cerca de la ubicación deseada.
- Se recomienda que dos personas muevan la estufa ensamblada para evitar lesiones.

## Distancia Mínima Requerida de Separación de Materiales Combustibles

Laterales	101.6 mm (4 plg)
Piso	0 mm (0 plg)
Parte superior	914 mm (36 plg)
Frente	914 mm (36 plg)
Parte posterior	0 mm (0 plg)

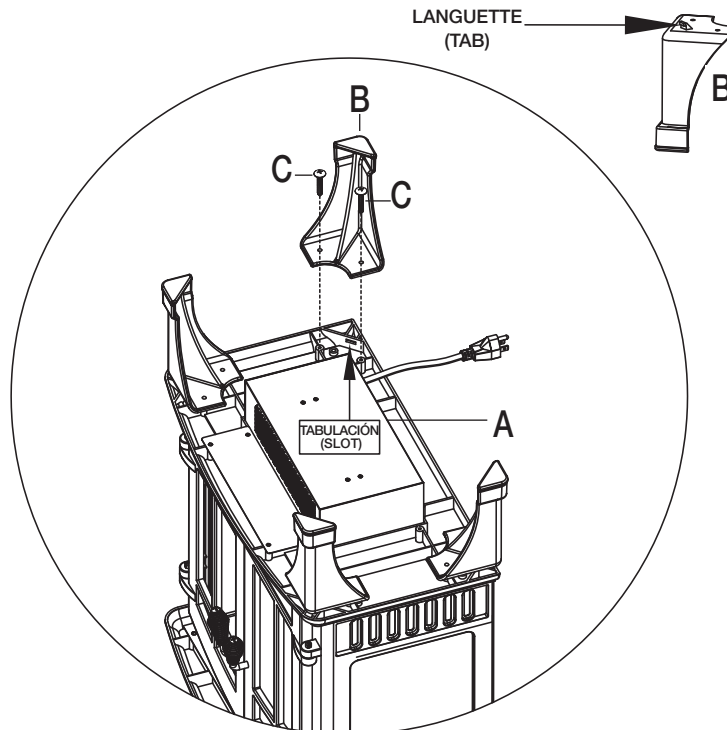


## ADVERTENCIA

No instale la unidad en los estantes, plataformas elevadas, camas, mantas, almohadas, etc Mantenga los materiales combustibles, tales como muebles, ropa de cama, papeles, ropa y cortinas por lo menos 3 pies (914 mm) de la estufa.

## INSTRUCCIONES DE MONTAJE

1. Coloca la estufa (A) boca abajo en una superficie acolchada con el lado de abajo accesible. Conecta las patas (B) a la estufa insertando la lengüeta de la parte superior de cada pata (B) en la ranura correspondiente en la parte inferior de la estufa (A). Coloca dos tornillos (CC) en los orificios pre-taladrados y apriétalos firmemente para cada pata.
2. Con cuidado coloca la estufa contra una pared.
3. Conecta el cable eléctrico en el tomacorriente de 120 voltios y 15 amperios. Usa una extensión eléctrica con clasificación para un mínimo de 1875 vatios si es necesaria.



## PRECAUCIÓN

Asegúrate de que la unidad esté instalada de manera que el cable eléctrico no quede oprimido contra la estufa o atascado dentro de ella y que no haya obstrucciones en el recorrido del cable hasta el tomacorriente con conexión a tierra.



# Funcionamiento

## Lee todas las instrucciones antes de usar



Revisa que la rejilla de salida del calefactor no esté cubierta u obstruida de ninguna forma y asegúrate de que la electricidad esté encendida.

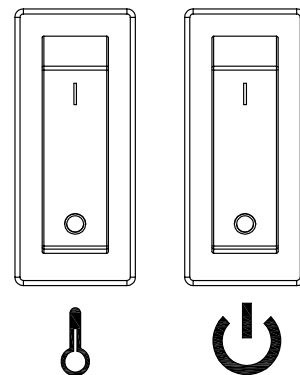
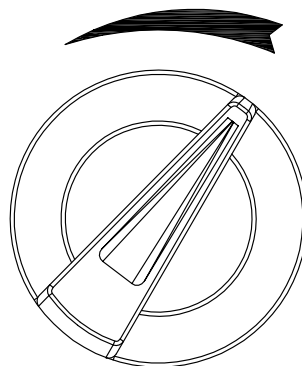


**NOTA:** Cuando se usa la función de calefacción por primera vez, puede sentirse un ligero olor. Esto es normal y no debe ocurrir de nuevo a menos que el calefactor no se use durante un largo período de tiempo.

## 1 Uso del panel de control

- El panel de control está ubicado detrás de la puerta de la estufa.

- **Encendido:** El Interruptor de Encendido  suministra energía a todas las funciones de la estufa. Este interruptor debe estar en la posición ON (de encendido) para que cualquiera de las funciones trabaje.
- **Efecto de llama:** Cambie el interruptor de Encendido a la posición ON. La luz indicadora de Encendido brillará. El efecto de llama será visible a través del vidrio frontal.
- **Temperatura:** Cambie el Interruptor de Temperatura  a la posición ON; la perilla de control de Temperatura regula el nivel de temperatura de la habitación. Entre más se gire la perilla en el sentido de las manecillas del reloj, mayor será el nivel de temperatura. Al girar la perilla en el sentido contrario de las manecillas del reloj se disminuirá el nivel de temperatura. Utilice esta función para ayudar a regular el nivel de temperatura ambiente.
- **Límite de temperatura de control:** Este calentador está equipado con un límite de temperatura de control. Si el calentador alcanza una temperatura insegura, el calentador se apagará automáticamente. Para restablecer: desconecte el cable de alimentación del enchufe. Espere 5 minutos. Con el interruptor Power en la posición OFF, vuelta de conectar el cable de corriente en el enchufe.



## Mantenimiento

### INFORMACIÓN SOBRE EL VIDRIO

- ❑ Bajo ninguna circunstancia debe operarse este producto con el vidrio roto.
- ❑ No golpees el vidrio o lo tires bruscamente.
- ❑ No uses limpiadores abrasivos para limpiar el vidrio.
- ❑ Este producto usa vidrio templado. El reemplazo del vidrio provisto por el fabricante debe hacerlo una persona de servicio calificada.

### INSPECCIÓN Y REEMPLAZO DE LAS BOMBILLAS

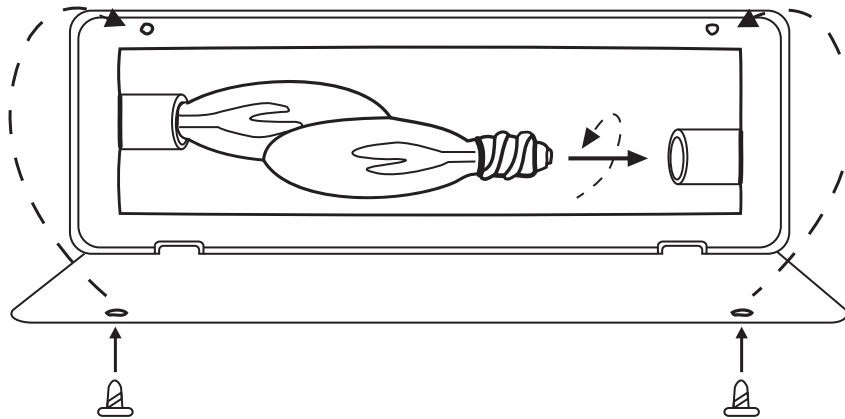
El efecto de llama es creado por dos bombillas de 40 vatios con una base para portabombilla E-12 (pequeño). Usa sólo este tipo de bombilla. Si el efecto de llama no funciona, las bombillas pueden haberse aflojado o dañado durante el envío.



#### PRECAUCIÓN

Las bombillas se calientan bastante durante el uso. Deja que las bombillas se enfríen durante al menos 10 minutos antes de tocarlas.

Para inspeccionar o reemplazar las bombillas, primero desconecta el cable eléctrico del tomacorriente. Ubica el panel de acceso en la parte posterior de la estufa. Quita los tornillos y el panel. Revisa las bombillas para asegurarte de que están apretadas y en perfecto estado. Reemplaza cualquier bombilla dañada o defectuosa. Vuelve a colocar el panel de acceso. No uses este calefactor sin el panel de acceso en su lugar. No quites la cubierta posterior de este calefactor. No contiene piezas que deban ser reparadas.



#### ADVERTENCIA

No uses más de 40 vatios por bombilla. El uso de bombillas con clasificación más alta puede provocar un incendio, causando daño a la propiedad o lesiones personales.

### MANTENIMIENTO DE LOS MOTORES

Siempre desconecta el electrodoméstico del suministro de energía principal y deja que se enfríe antes de realizar labores de mantenimiento. Los motores que se usan en el calentador por ventilador y el soplador de la llama están prelubricados para una vida más larga de los cojinetes de bolas y no requieren más lubricación. Sin embargo, se recomienda limpiar/desempolvar el electrodoméstico alrededor de la entrada y salida de aire, así como el calefactor con ventilador. Para un uso constante o ininterrumpido, debe limpiarse periódicamente con más frecuencia. Si el calefactor sopla aire frío y cálido alternadamente, revisa el ventilador para ver si se mueve libremente o si hay desechos obstruyendo el flujo de aire. Si el ventilador no se mueve libremente, debe apagarse la unidad y reemplazarse el ventilador de inmediato para evitar más daño a la unidad.

## Cuidado y limpieza

Siempre apaga la estufa y desconecta el cable eléctrico del tomacorriente antes de limpiar. Usa una aspiradora o desempolvador para quitar el polvo y la suciedad del calefactor y las áreas de ventilación. Para dar mantenimiento al acabado, límpialo con un paño suave y ligeramente húmedo y púlelo con un paño seco. Nunca uses limpiadores abrasivos, rociadores líquidos o ningún limpiador que pueda rayar la superficie.

# Diagrama del Cableado Eléctrico

## PELIGRO



Desconecta la corriente antes de dar mantenimiento.

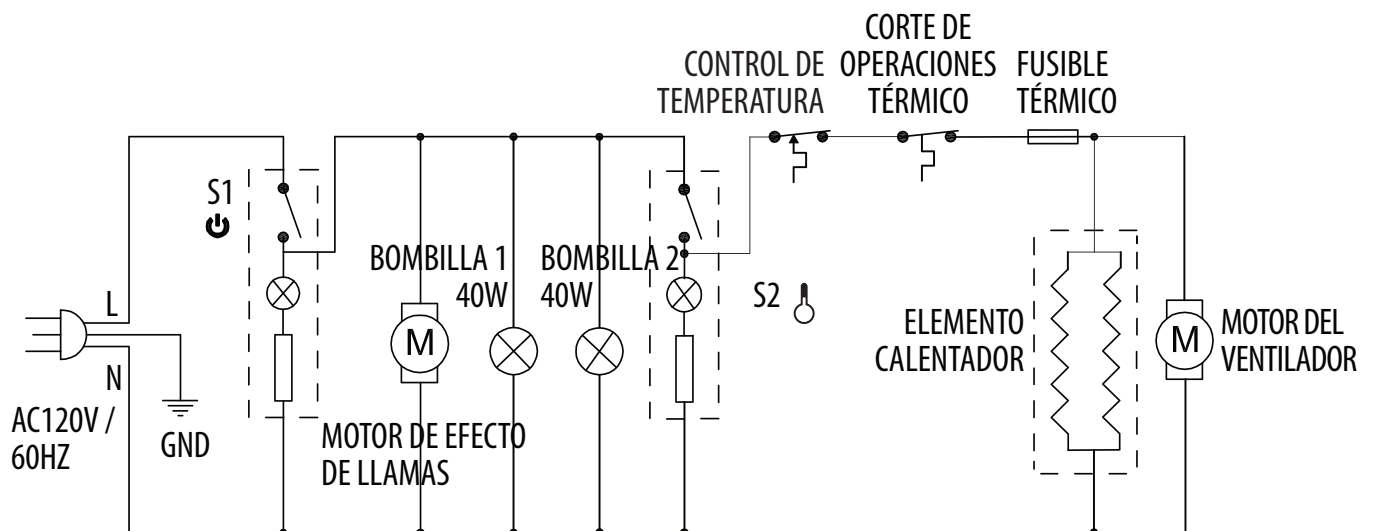


Todo nuevo cableado eléctrico del electrodoméstico debe realizarlo un electricista calificado. Este cableado se debe realizar de acuerdo con códigos locales o, en Canadá, de acuerdo con el Código de Electricidad de Canadá CSA C22.1 actual, y para las instalaciones en EE.UU., de acuerdo con el código nacional de electricidad, ANSI/NFPA No. 70.



Si se requiere reparar o reemplazar cualquier componente o cableado eléctrico, se debe seguir la misma ruta de los cables, códigos de color y ubicaciones para asegurarlos.

## DIAGRAMA DE CIRCUITO



**ADVERTENCIA:** Desconecte la fuente de alimentación antes de dar mantenimiento.

# Solución de Problemas

Si tienes alguna pregunta referente al producto, por favor comunícate con el Servicio al Cliente de Hampton Bay al 855-HD-HAMPTON, de 8 a.m. a 6 p.m. de lunes a viernes entre las 8 a.m. y 6 p.m., (hora del Este de EE. UU.)

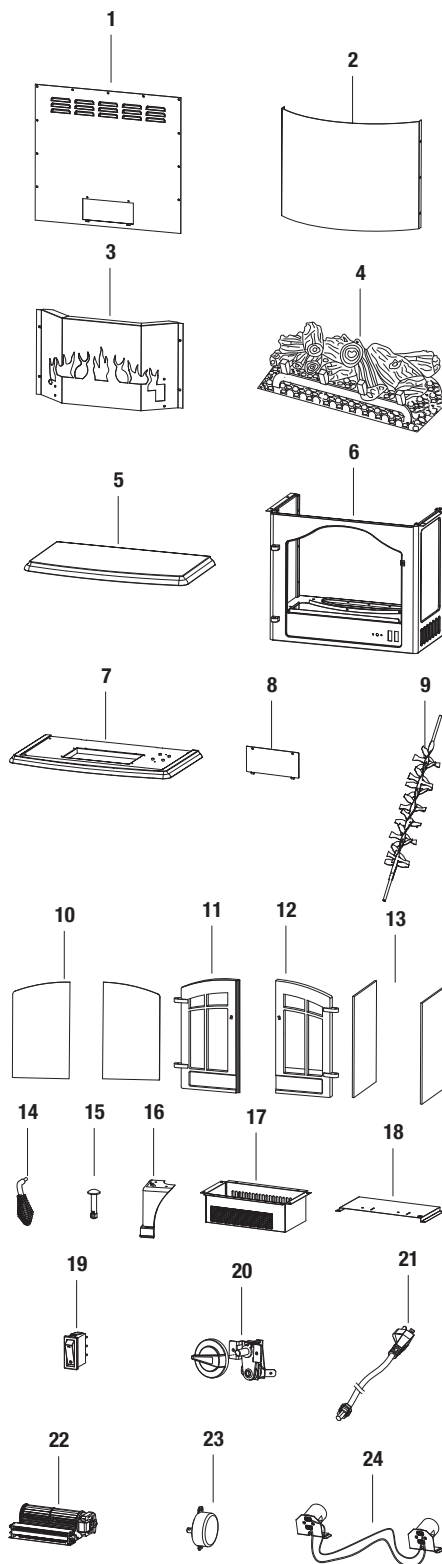
Problema	Causa posible	Solución
La estufa no funciona.	<ul style="list-style-type: none"> <li><input type="checkbox"/> La estufa no está enchufada.</li> <li><input type="checkbox"/> Un cortocircuitos se disparó o el fusible se fundió.</li> <li><input type="checkbox"/> El interruptor de ENCENDIDO/APAGADO (ON/OFF) está defectuoso.</li> <li><input type="checkbox"/> Cableado suelto.</li> </ul>	<ul style="list-style-type: none"> <li><input type="checkbox"/> Asegúrate de que la estufa esté conectada a un tomacorriente estándar de 120 V.</li> <li><input type="checkbox"/> Revisa los otros electrodomésticos conectados en el circuito; idealmente, la chimenea debe estar en un circuito exclusivo de 15 amperios.</li> <li><input type="checkbox"/> Llama al servicio al cliente.</li> <li><input type="checkbox"/> Llama al servicio al cliente.</li> </ul>
La luz de encendido se prende pero la llama no se ve.	<ul style="list-style-type: none"> <li><input type="checkbox"/> La estufa no está funcionando correctamente.</li> <li><input type="checkbox"/> Bombilla(s) floja(s).</li> <li><input type="checkbox"/> Bombilla(s) fundidas(s).</li> </ul>	<ul style="list-style-type: none"> <li><input type="checkbox"/> Consulte las instrucciones de uso.</li> <li><input type="checkbox"/> Aprieta la(s) bombilla(s) floja(s).</li> <li><input type="checkbox"/> Reemplaza la(s) bombilla(s).</li> </ul>
El calefactor no está funcionando.	<ul style="list-style-type: none"> <li><input type="checkbox"/> La estufa no está funcionando correctamente.</li> <li><input type="checkbox"/> Interruptor del calentador está defectuoso.</li> <li><input type="checkbox"/> Ensamblaje del calentador está defectuoso.</li> <li><input type="checkbox"/> Hay cableado suelto.</li> <li><input type="checkbox"/> Los conductos de aire están sucios o tapados.</li> </ul>	<ul style="list-style-type: none"> <li><input type="checkbox"/> Consulta las instrucciones de uso.</li> <li><input type="checkbox"/> Llama al servicio al cliente.</li> <li><input type="checkbox"/> Llama al servicio al cliente.</li> <li><input type="checkbox"/> Llama al servicio al cliente.</li> <li><input type="checkbox"/> Desenchufa la unidad. Quita el polvo y las partículas del área de ventilación. Espera diez minutos, enchufa la unidad de nuevo y enciende el calefactor.</li> </ul>
Hay ruido excesivo cuando el calefactor está funcionando.	<ul style="list-style-type: none"> <li><input type="checkbox"/> Ventilador defectuoso.</li> <li><input type="checkbox"/> Ensamblaje del calefactor defectuoso.</li> </ul>	<ul style="list-style-type: none"> <li><input type="checkbox"/> Llama a servicio al cliente.</li> <li><input type="checkbox"/> Llama al servicio al cliente.</li> </ul>

# Piezas de Repuesto

Si tienes alguna pregunta referente al producto, por favor comunícate con el Servicio al Cliente de Hampton Bay al 855-HD-HAMPTON, de 8 a.m. a 6 p.m. de lunes a viernes entre las 8 a.m. y 6 p.m., (hora del Este de EE. UU.)

## ACABADO NEGRO MATE

Ref.	Descripción	Núm. de Pieza
1	Panel Posterior	EFES323001ST
2	Pantalla	EFEST332T001ST
3	Panel de las Llamas	EFEST332T002ST
4	Juego de Leños	EFEST332T003ST
5	Panel Superior	EFES323005ST
6	Panel del Gabinete	EFEST332T004ST
7	Panel Inferior	EFES323007ST
8	Panel de Acceso	EFES323008ST
9	Reflector de la Llama	EFEST332T005ST
10	Vidrio	EFEST534T001ST
11	Puerta Izquierda	EFEST534T002ST
12	Puerta Derecha	EFEST534T003ST
13	Vidrio Lateral	EFEST332T008ST
14	Mango	EFES323012ST-14
15	Pasador de la Bisagra	EFES323013ST
16	Pata (Diseño 3)	EFEST333T003ST
17	Caja del calentador de ventilador	EFES323015ST
18	Panel de la Barrera de Luz	EFEST332T018ST
19	Interruptor	EFES323017ST
20	Termostato	EFES322006ST
21	Cable Eléctrico y Conector	EFES323018ST
22	Calentador Infrarrojo	EFES322007ST-14
23	Motor	EFES323020ST
24	Portabombilla y Soporte de la Lámpara	EFES323021ST



## ACABADO EN BLANCO

Ref.	Descripción	Núm. de Pieza
1	Panel Posterior	EFES323001ST
2	Pantalla	EFEST332T001ST
3	Panel de las Llamas	EFEST332T002ST
4	Juego de Leños	EFEST332T003ST
5	Panel Superior	EST5345001ST
6	Panel del Gabinete	EST5345002ST
7	Panel Inferior	EST5345003ST
8	Panel de Acceso	EFES323008ST
9	Reflector de la Llama	EFEST332T005ST
10	Vidrio	EFEST534T001ST
11	Puerta Izquierda	EST5345004ST
12	Puerta Derecha	EST5345005ST
13	Vidrio Lateral	EFEST332T008ST
14	Mango	EST5345006ST
15	Pasador de la Bisagra	EST5345007ST
16	Pata (Diseño 3)	EST5345008ST
17	Caja del calentador de ventilador	EFES323015ST
18	Panel de la Barrera de Luz	EFEST332T018ST
19	Interruptor	EFES323017ST
20	Termostato	EFES322006ST
21	Cable Eléctrico y Conector	EFES323018ST
22	Calentador Infrarrojo	EFES322007ST-14
23	Motor	EFES323020ST
24	Portabombilla y Soporte de la Lámpara	EFES323021ST

Algunas piezas y especificaciones pueden cambiar sin aviso previo.



¿Preguntas, problemas o piezas faltantes? Antes de regresar a la tienda,  
llama al Servicio al Cliente de Hampton Bay de  
lunes a viernes entre 8 a.m. y 6 p.m., (hora del Este de E.E. U.U.)

**855-HD-HAMPTON**

**HAMPTONBAY.COM**

Conserva este manual para uso en el futuro.

Manufactured by: GHP Group, Inc. • 6440 W. Howard St. • Niles, IL 60714-3302