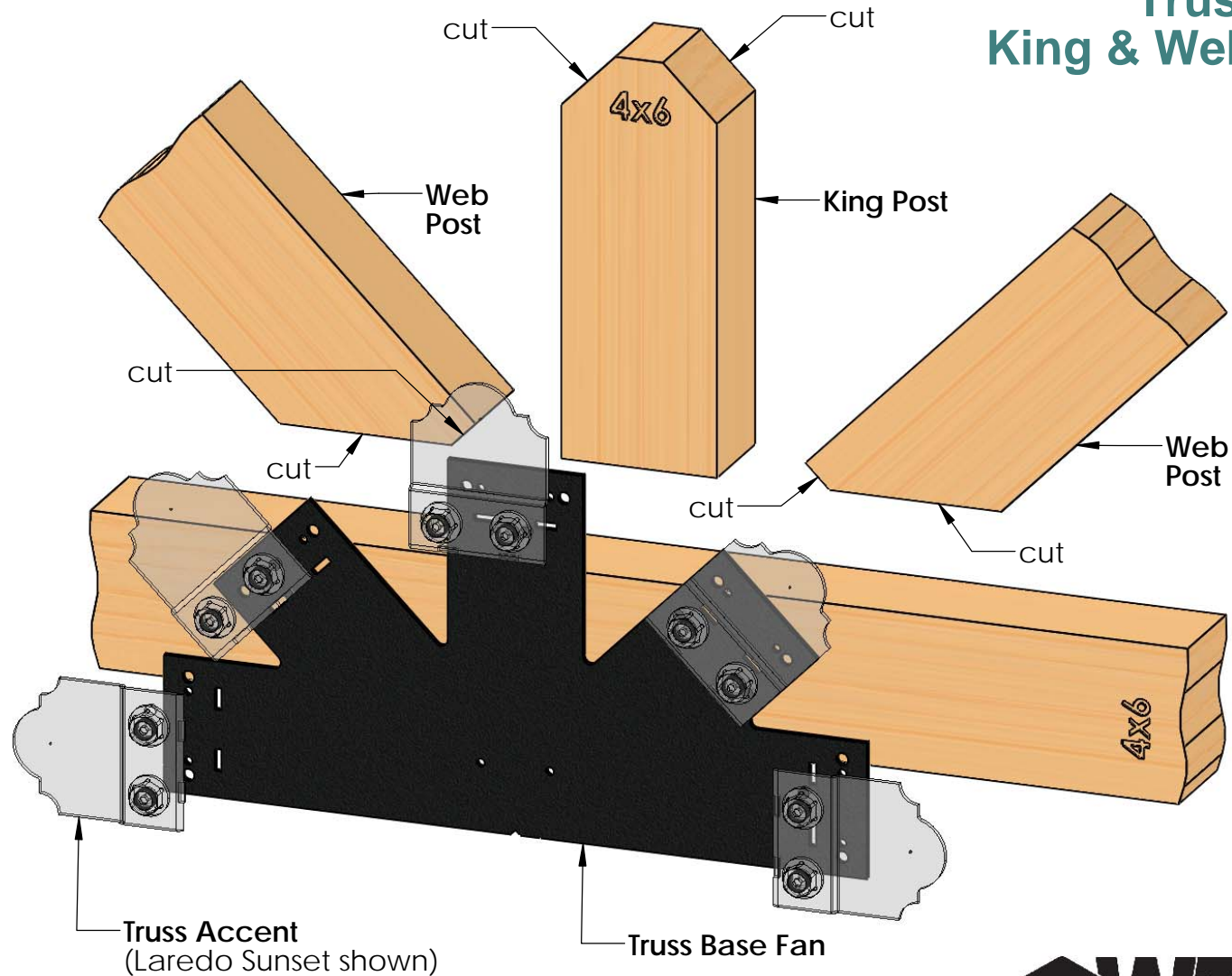


# Truss Base Fan King & Web Post Cuts



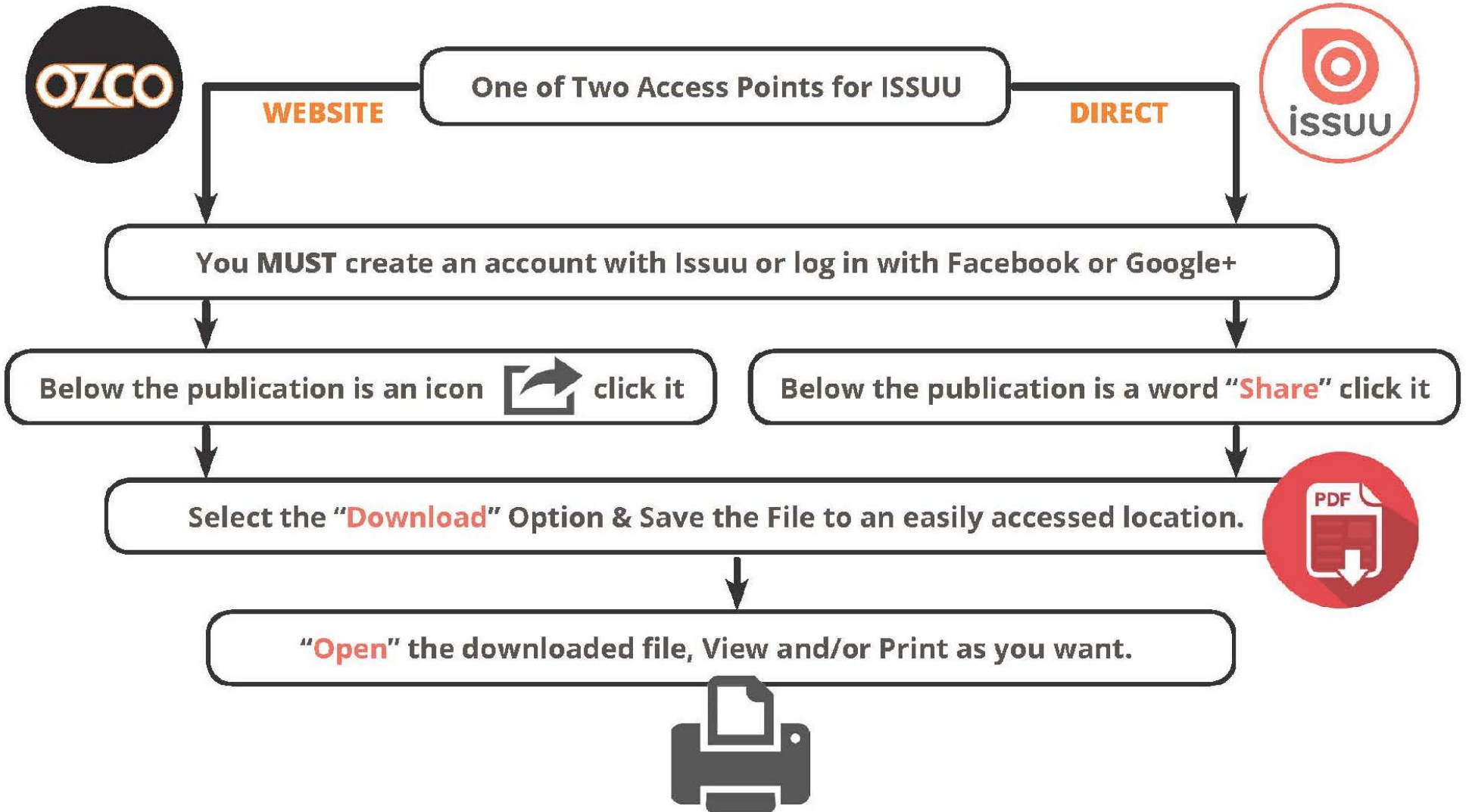
not sold as shown; end user must choose Truss Accent Style and appropriate fasteners (Timber Screws or Timber Bolts-not shown)

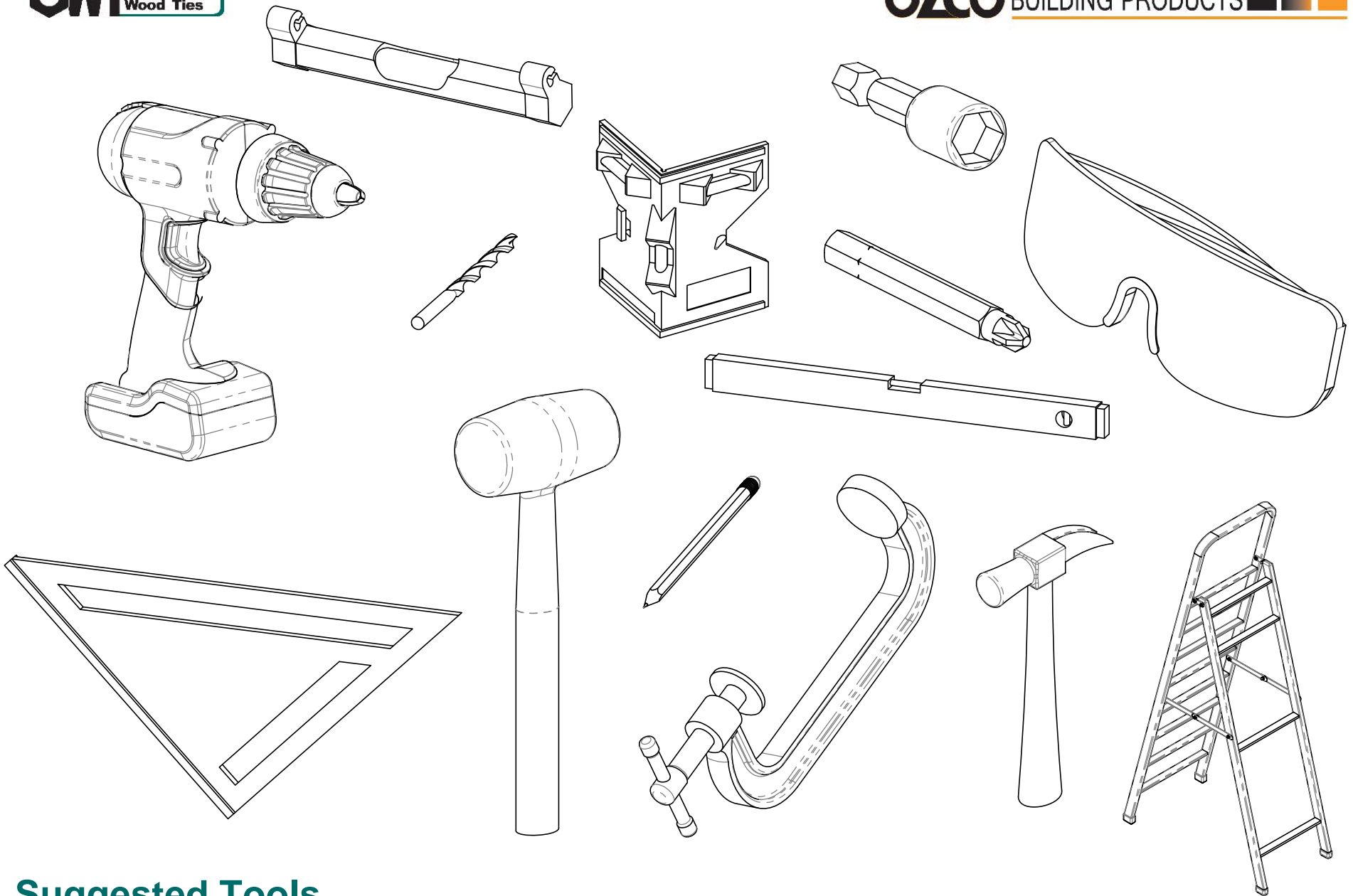




# Printing Documents from ISSUU

Unfortunately, there is currently no way to print content directly through issuu. To print a publication, you will need to download it and print it from your computer.

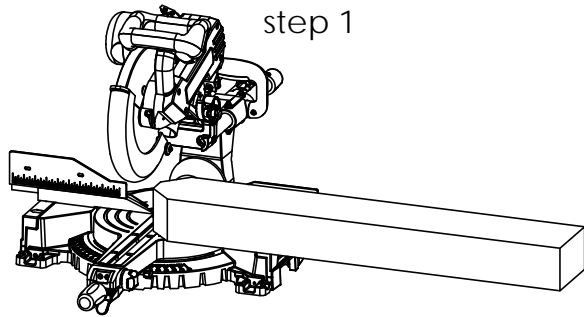




## Suggested Tools

(others may be required)

Truss Base Fan King & Web Post Cuts

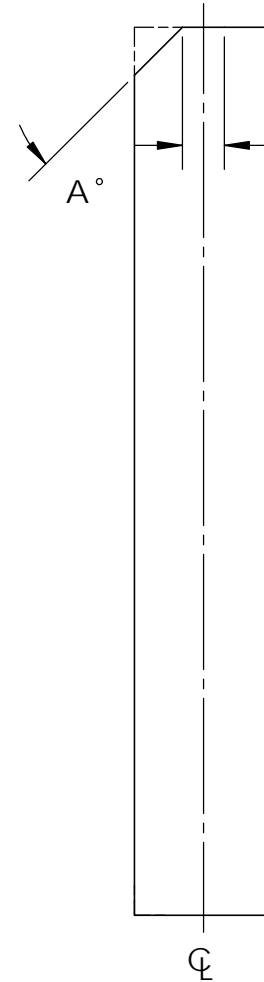


step 1

raw stock

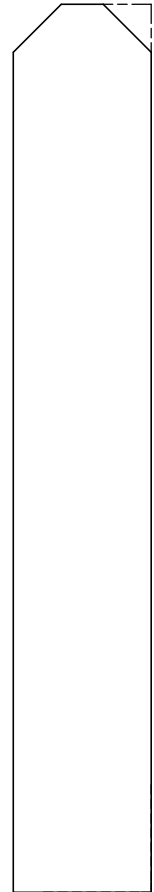


step 1  
angle  
length  
cut



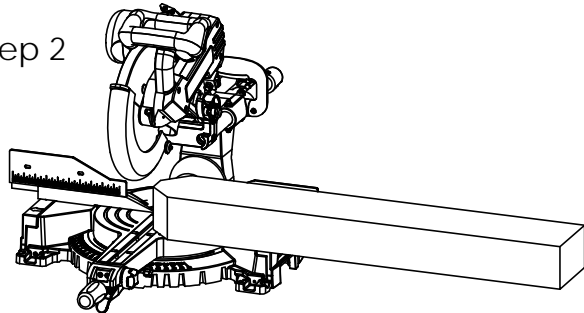
your beam  
width  
~1.75-2.00

step 2  
mirror cut



miter saw recommended for best results

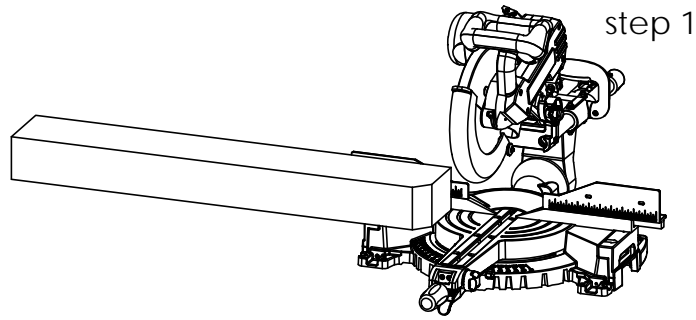
step 2



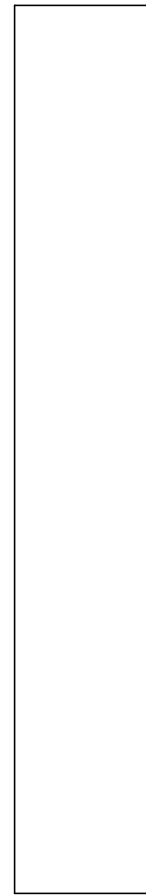
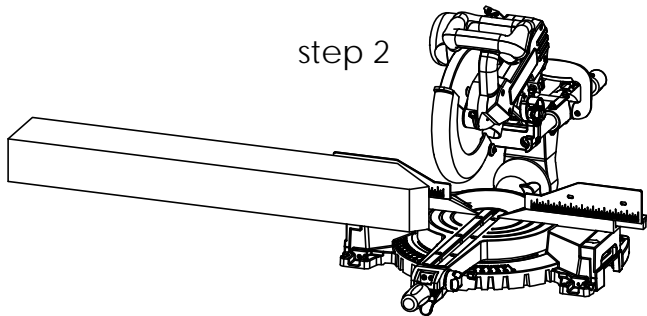
## How-To...King Post cut

Truss Base Fan King & Web Post Cuts

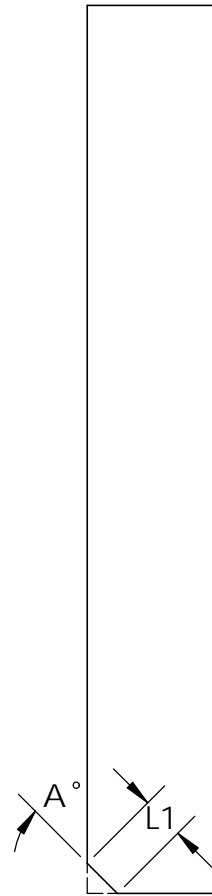
see following pages for A° dimension



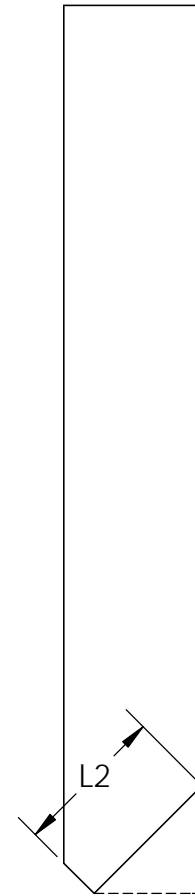
miter saw recommended for best results



raw stock



step 1  
angle  
length  
cut

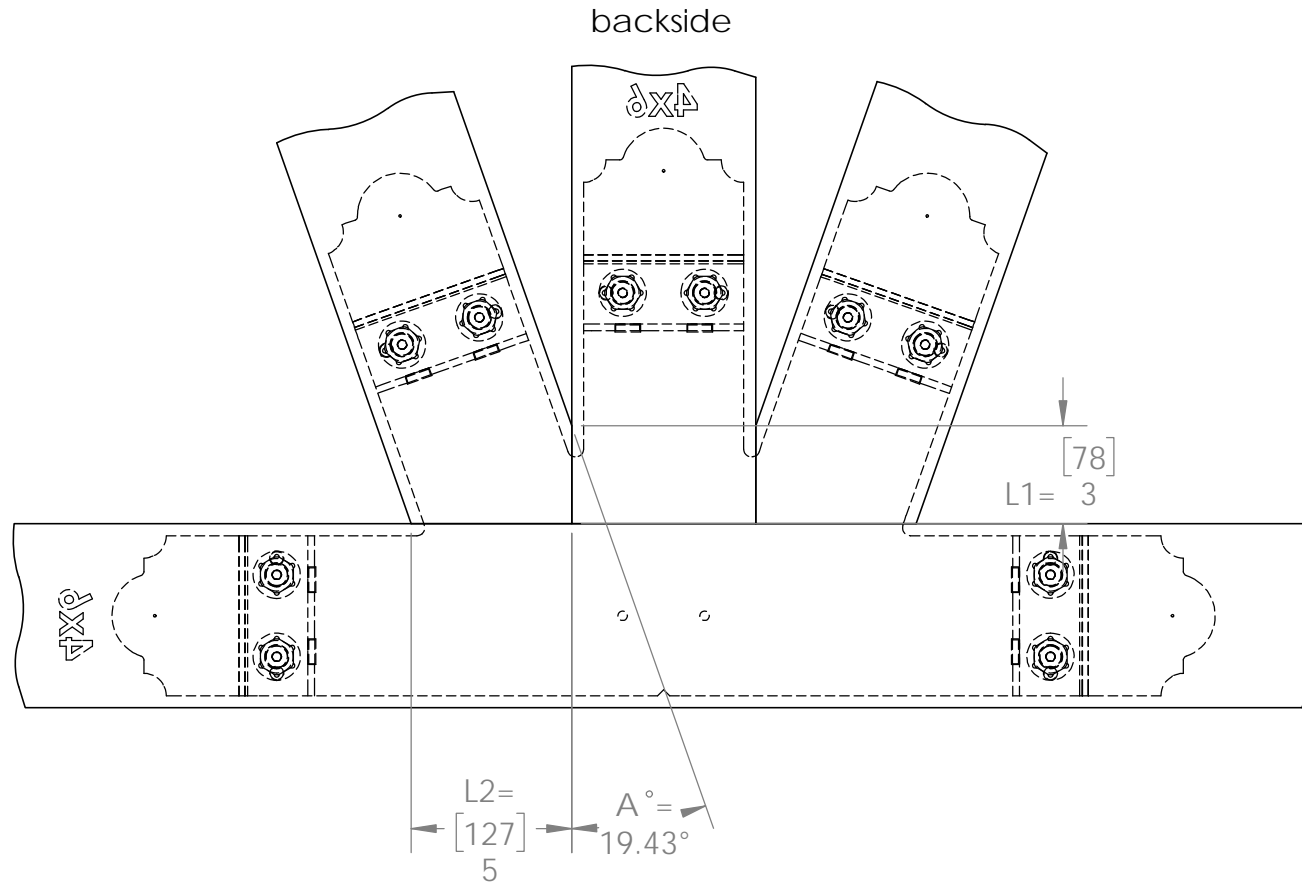


step 2  
perpendicular  
cut

see following pages for L1, L2 & A° dimensions

## How-To...Web cut

Truss Base Fan King & Web Post Cuts



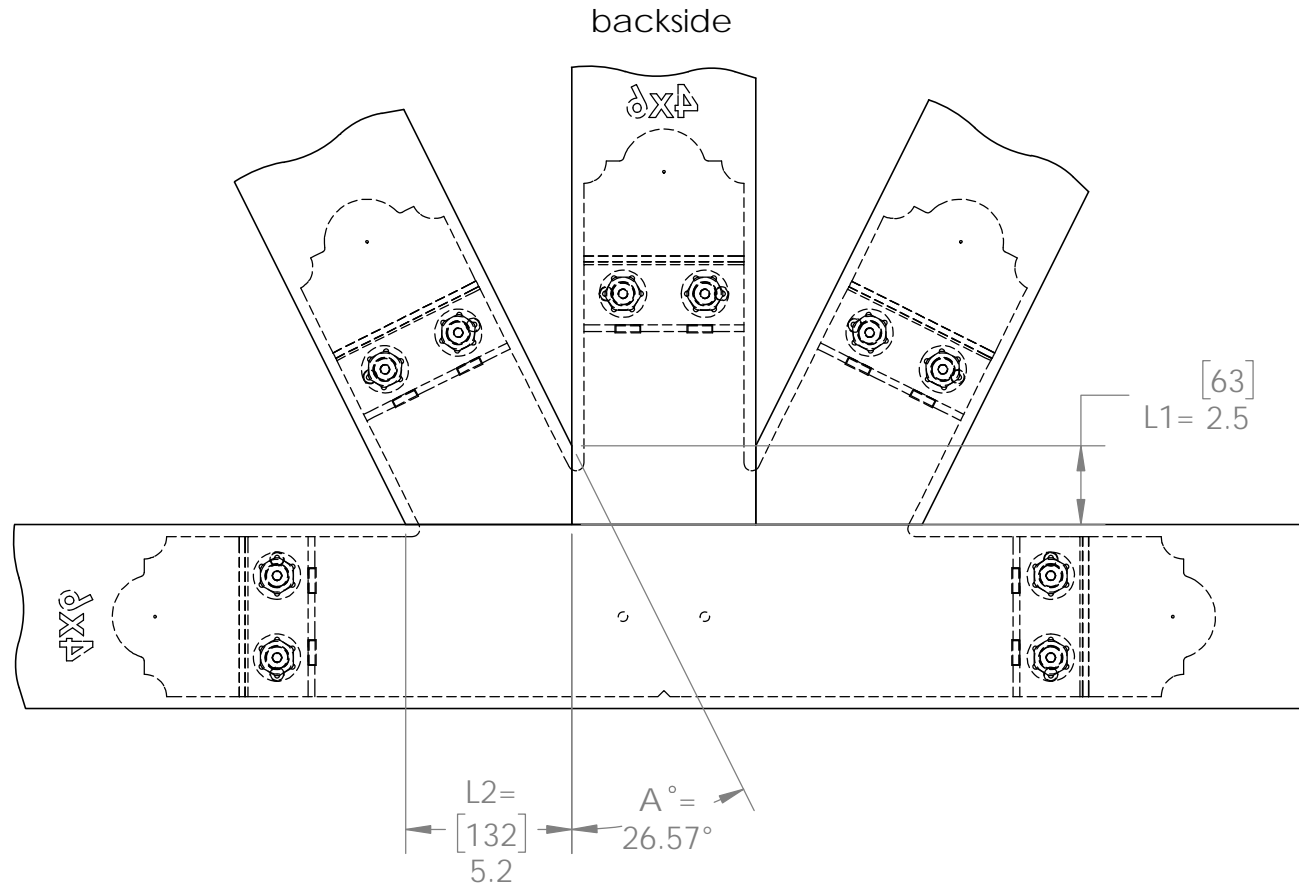
see [56642 Truss Base Calculator](#) for King Post, Web Post and Rafter (now shown) cut lengths

all lumber/dimension shown is 4x6. cuts will be different if other sizes are used.

Weight: 84.13 LBS  
 Scale: 1:6  
 Last updated: 2/29/2016

**Truss Base Fan King & Web Post Cuts**



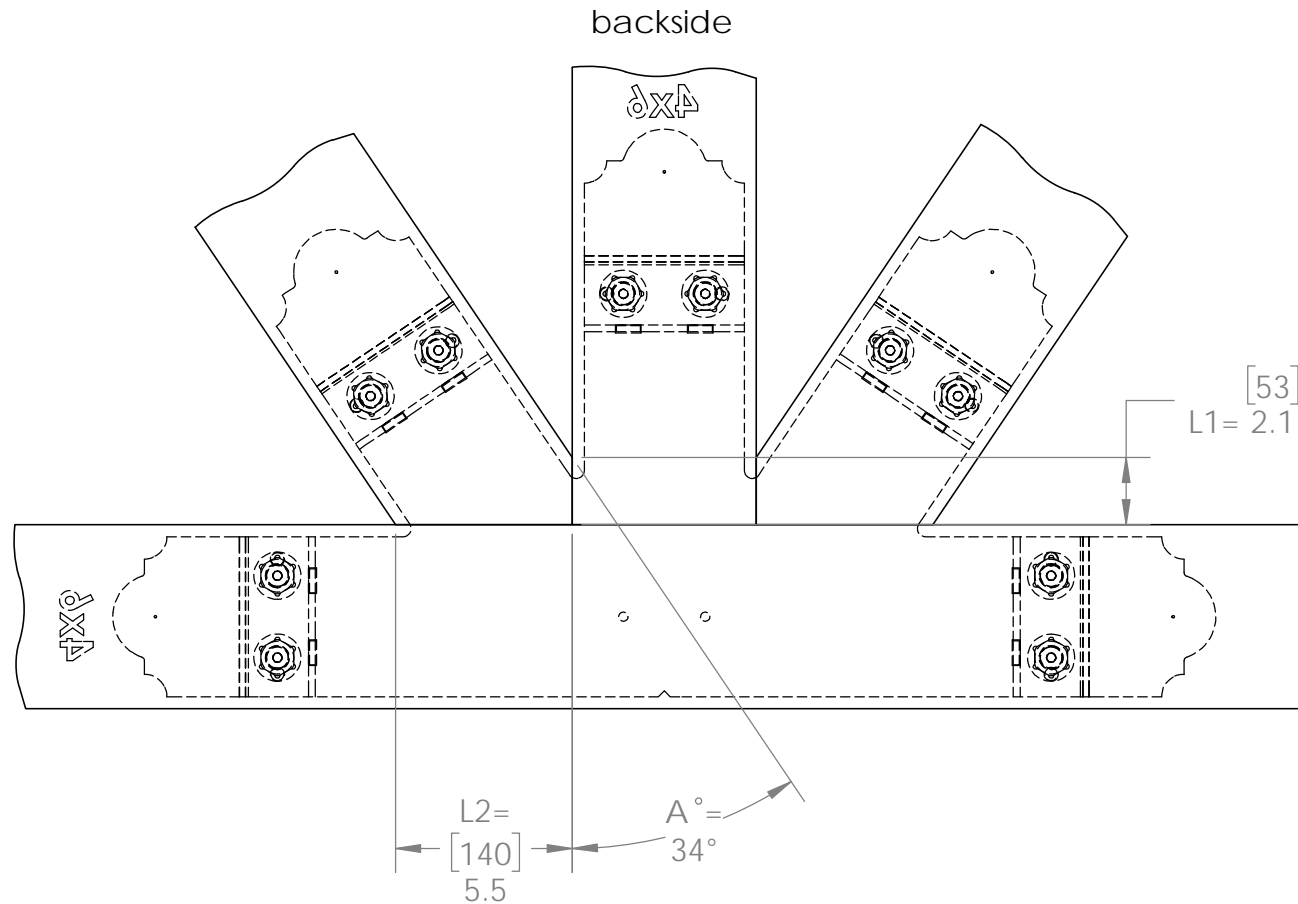


see [56643 Truss Base Calculator](#) for King Post, Web Post and Rafter (now shown) cut lengths

all lumber/dimension shown is 4x6. cuts will be different if other sizes are used.

Weight: 83.63 LBS  
 Scale: 1:6  
 Last updated: 2/29/2016

**Truss Base Fan King & Web Post Cuts**



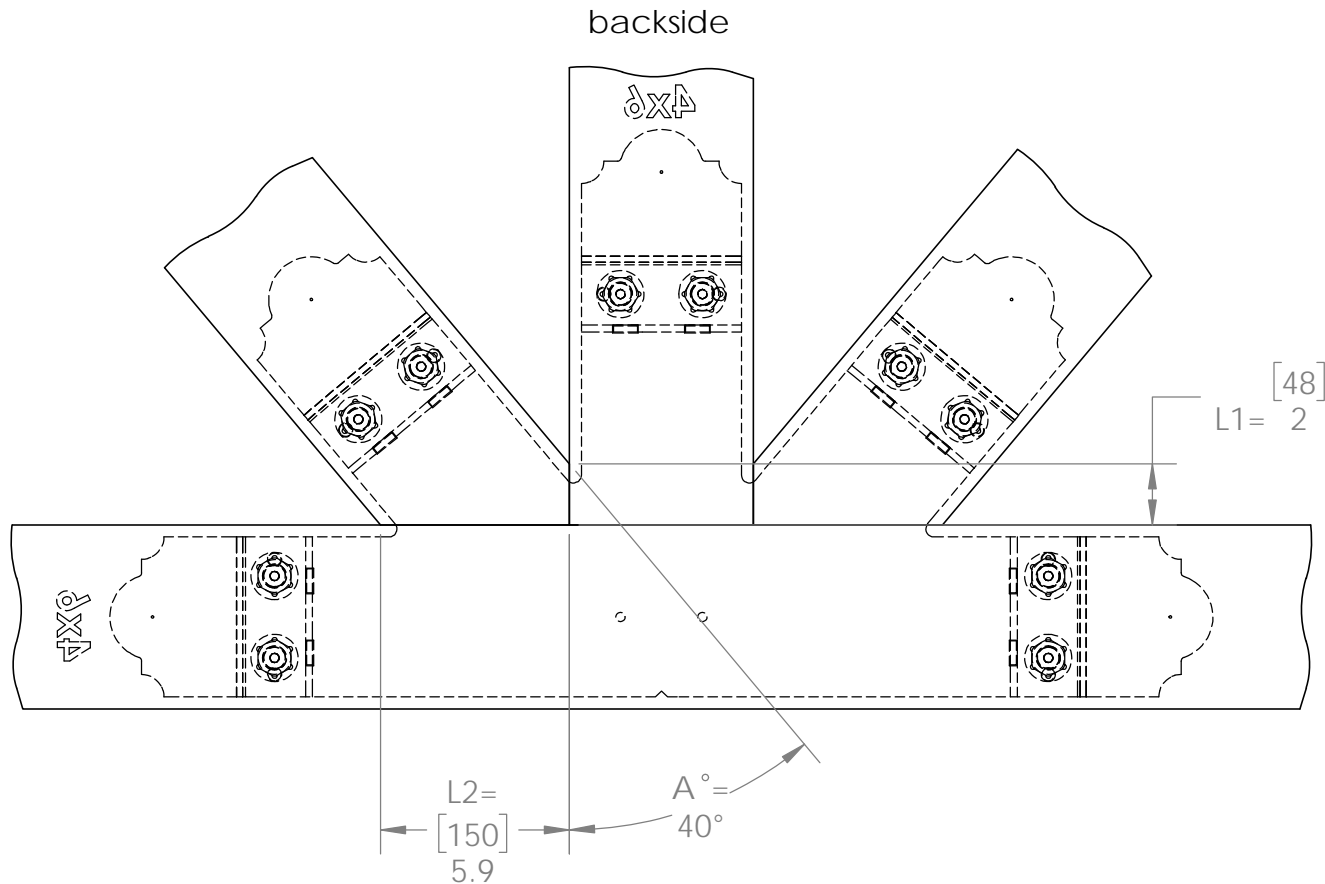
see [56619 Truss Base Calculator](#) for King Post, Web Post and Rafter (now shown) cut lengths

all lumber/dimension shown is 4x6. cuts will be different if other sizes are used.

Weight: 83.04 LBS  
 Scale: 1:6  
 Last updated: 2/29/2016

**Truss Base Fan King & Web Post Cuts**



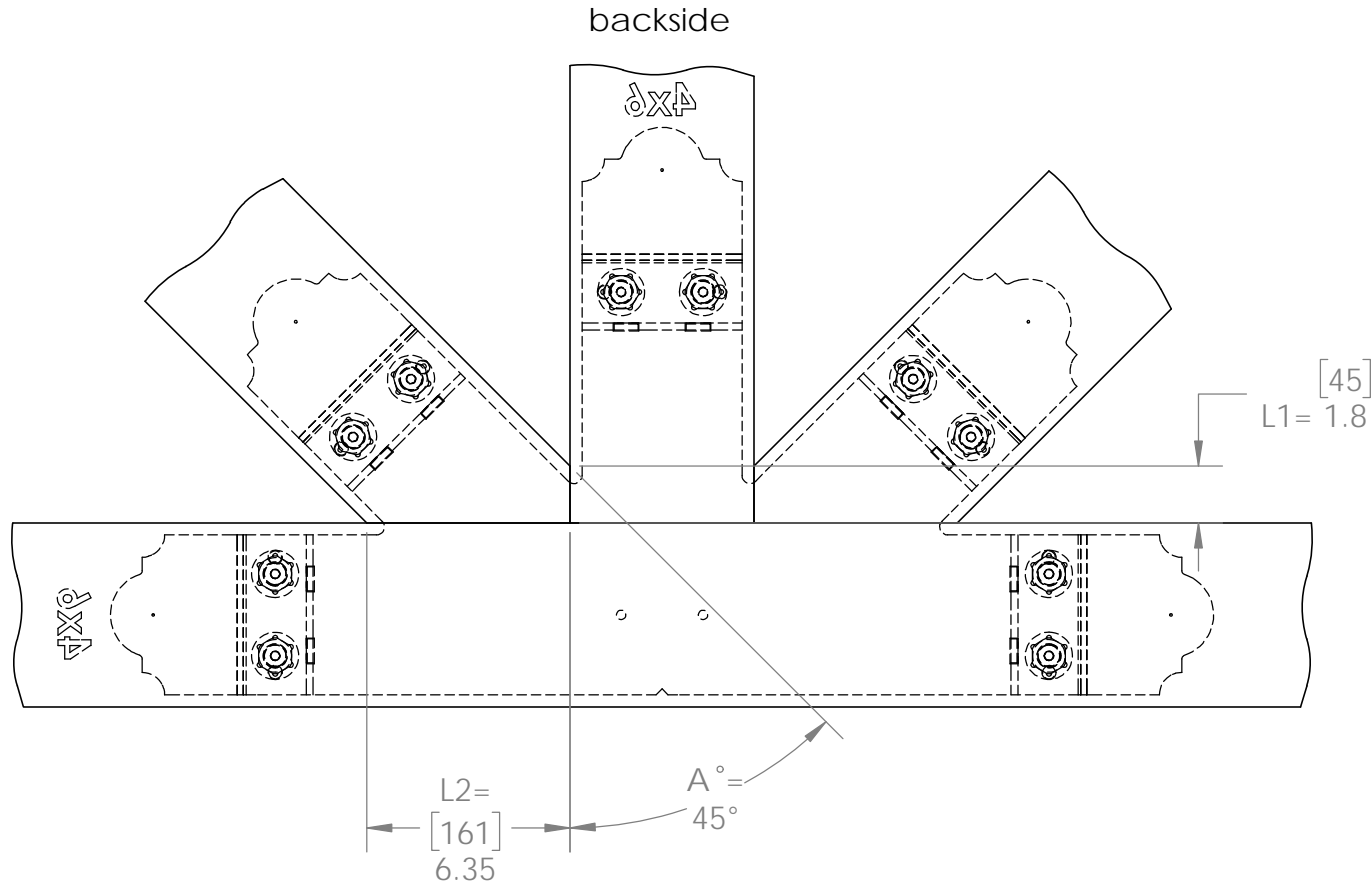


see [56620 Truss Base Calculator](#) for King Post, Web Post and Rafter (now shown) cut lengths

all lumber/dimension shown is 4x6. cuts will be different if other sizes are used.

Weight: 82.49 LBS  
 Scale: 1:6  
 Last updated: 2/29/2016

**Truss Base Fan King & Web Post Cuts**



see [56644 Truss Base Calculator](#) for King Post, Web Post and Rafter (now shown) cut lengths

all lumber/dimension shown is 4x6. cuts will be different if other sizes are used.

Weight: 81.95 LBS  
 Scale: 1:6  
 Last updated: 2/29/2016

**Truss Base Fan King & Web Post Cuts**

# Laredo Sunset & Ironwood

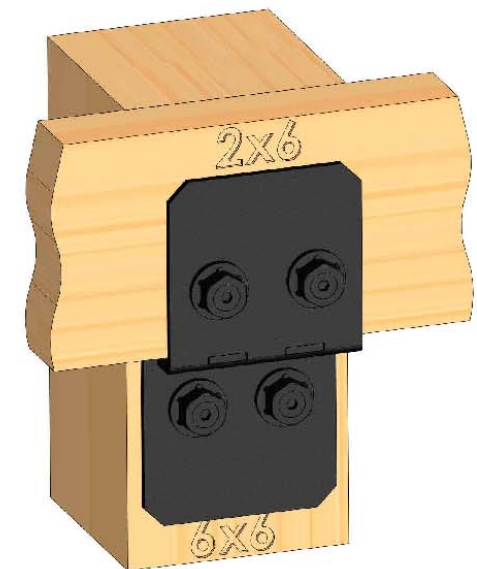


Laredo Sunset  
(566XX series)

2 great styles  
Same functionality

choose your  
connection lifestyle

both styles available for  
most products



Ironwood  
(517XX series)



OZCO BUILDING PRODUCTS ■■■