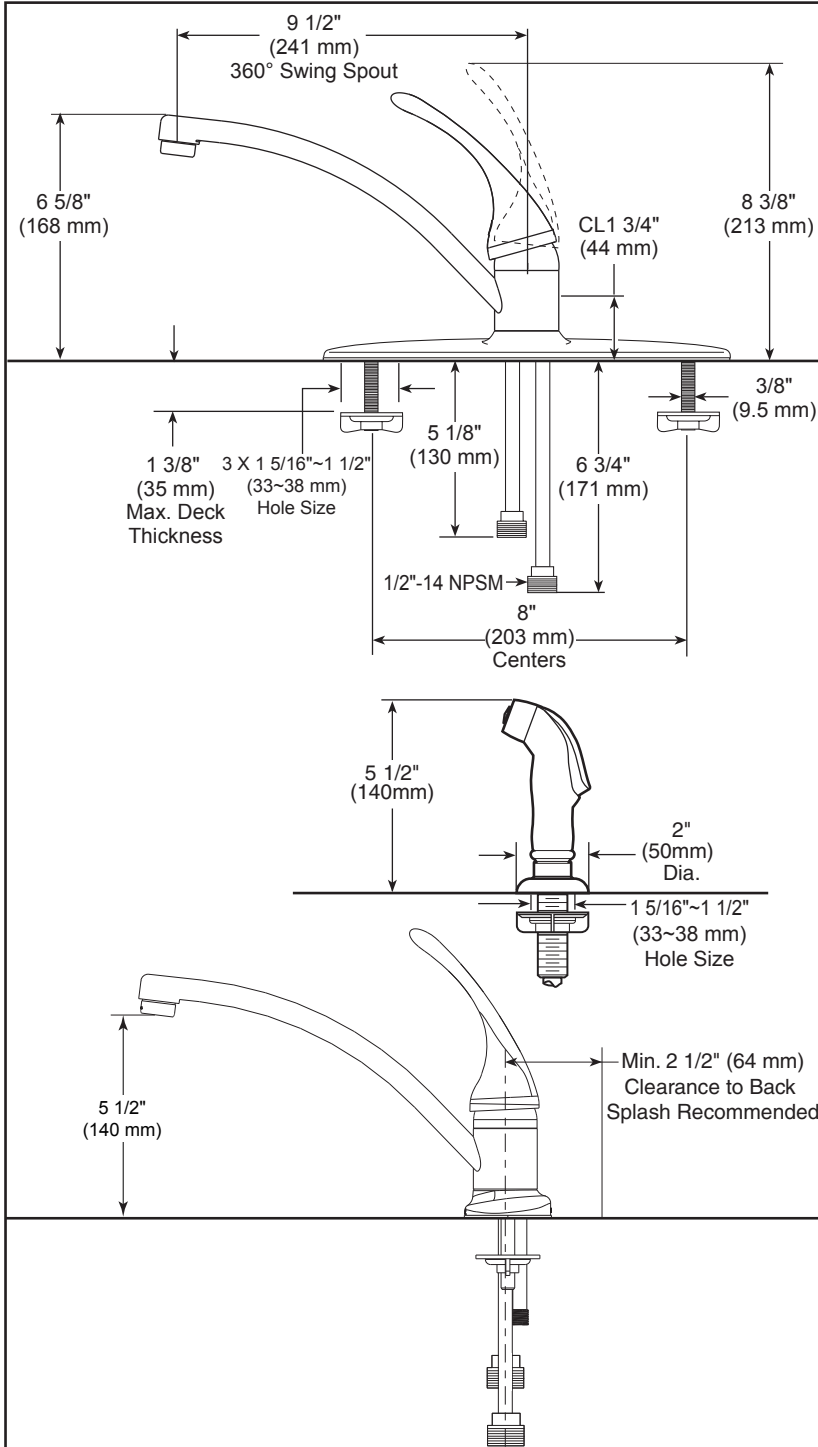


B4410LF

Submitted Model No.: \_\_\_\_\_

Specific Features: \_\_\_\_\_



▲ Designate proper finish suffix

Delta reserves the right (1) to make changes in specifications and materials, and (2) to change or discontinue models, both without notice or obligation. Dimensions are for reference only. See current full-line price book or [www.deltafaucet.com](http://www.deltafaucet.com) for finish options and product availability.

DSP-K-B4410LF Rev. F



## KITCHEN FAUCETS

- Single Handle With Side Spray
- 4 Hole Sink Applications
- 8" Centerset

### STANDARD SPECIFICATIONS:

- 8" (203 mm) centerset.
- 9 1/2" (241 mm) long, 6 5/8" (168 mm) high spout swings 360°.
- All operating parts shall be replaceable from the top.
- 1/2" -14 NPSM threaded male inlet adapters.
- Lever handle control mechanism is the rotating stainless steel ball type with replaceable non-metallic seats.
- Control handle shall return to neutral position when valve is turned off.
- Models with spray attachment has antisiphon device as integral part of valve body.
- Max. 1.80 gpm @ 60 psi, 6.8 L/min @ 414 kPa

### WARRANTY

- Lifetime limited warranty on parts (other than electronic parts and batteries) and finishes; or, for commercial users, for 5 years from date of purchase.
- 5 year limited warranty on electronic parts (other than batteries); or, for commercial users, for 1 year from the date of purchase. No warranty is provided on batteries.



### COMPLIES WITH:

- ASME A112.18.1 / CSA B125.1
- Indicates compliance to ICC/ANSI A117.1

Verified compliant with 0.25% weighted average Pb content regulations.



55 E 111th Street, Indianapolis, Indiana 46280  
350 South Edgeware Road, St. Thomas, ON N5P 4L1  
© 2015 Masco Corporation of Indiana