



# Use and Care Guide

## 18 in. Sump Pump Basin Lid

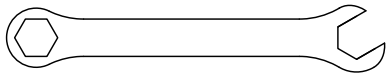
Item # 100027540  
Model # SF60913



**EVERBILT**

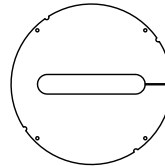


### TOOLS REQUIRED



7/16" Wrench

### PACKAGE CONTENTS



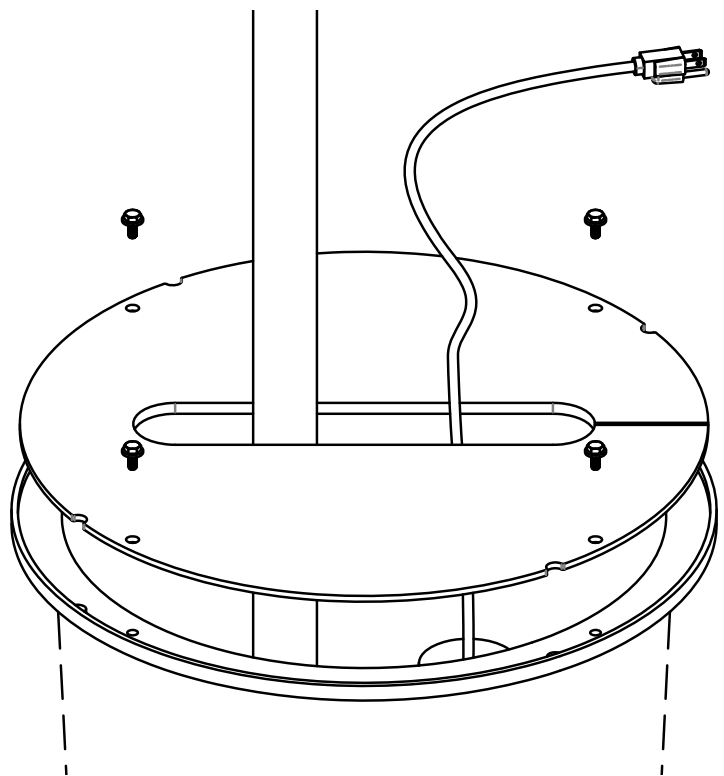
(1) Basin Cover



(4) 1/4-20x5/8 Bolts and Washers

## Installation

- This 18 in. sump basin cover will fit many 18 in. sump basins. Test fit the cover to make sure it is correct for your sump basin.
- Place the cover on your basin. Make sure that your sump's discharge pipe and your pump's power and float cords pass through the large slot in the cover.
- Using the wrench, secure the cover with the bolts and washers supplied.



## Safety Information



**WARNING:** Failure to install basin cover as shown will create a safety risk. Install cover as shown.

## Warranty

This product is warranted to the original consumer purchaser to be free from defects in material and workmanship for a period of one year from the date of purchase. For additional details and questions, please contact Everbilt Customer Service at 1-877-297-6069.

**EVERBILT**

HOMEDEPOT.com

Please contact 1-877-297-6069 for further assistance.