

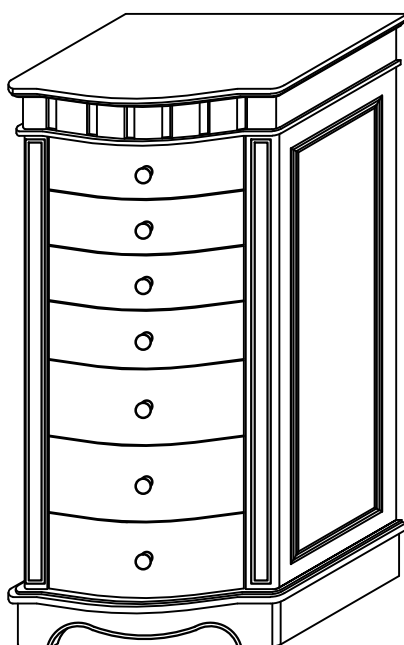
HOME DECORATORS COLLECTION

BF-25413 SHERIDAN JEWELRY ARMOIRE 40"Hx20"Wx12"

INV#81887

ASSEMBLY INSTRUCTIONS

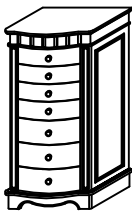
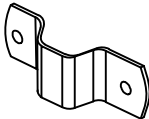
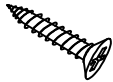

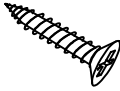

Made In China



Thank you for purchasing this quality product. Be sure to check all packing material carefully for small parts, which may have come loose inside the carton during shipment. Count all parts and material hardware then compare with parts list to be sure all parts are present. If any parts are missing or damaged, phone, fax or mail to our Customer Service Department for efficient and speedy service. Please indicate the model number and code letter of part(s) needed.

IMPORTANT NOTE: Follow instructions listed below in proper sequence as numbered to assure fast, easy and correct assembly.

PARTS LIST

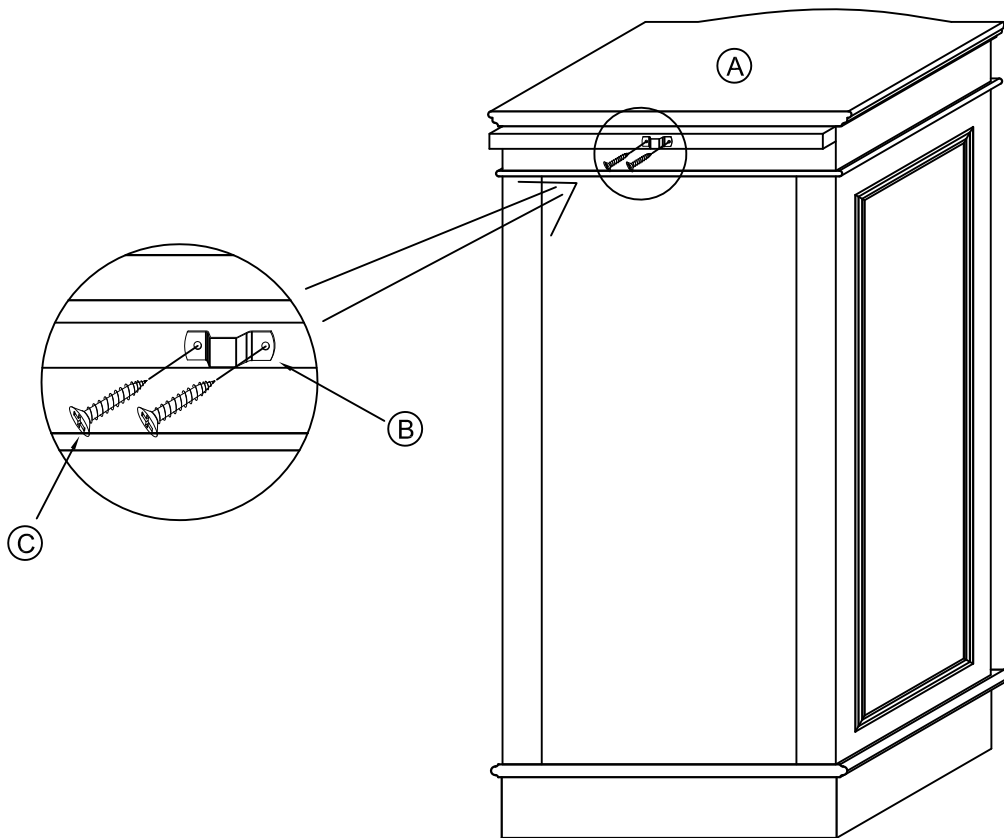
<p>A</p>  <p style="text-align: center;">CABINET-1PC</p>	<p>B</p>  <p style="text-align: center;">HOOKS-2PCS</p>	<p>C</p> <p style="text-align: center;">6mm*3/4"</p>  <p style="text-align: center;">SCREWS-2PCS</p>
<p>D</p>  <p style="text-align: center;">GECKOS-2PCS</p>	<p>E</p> <p style="text-align: center;">7mm*7/8"</p>  <p style="text-align: center;">SCREWS-2PCS</p>	<p>F</p>  <p style="text-align: center;">PLASTIC BELT-1PC</p>

NOTE: THE SURFACE WITH THE STICKER IS THE BACK SIDE.



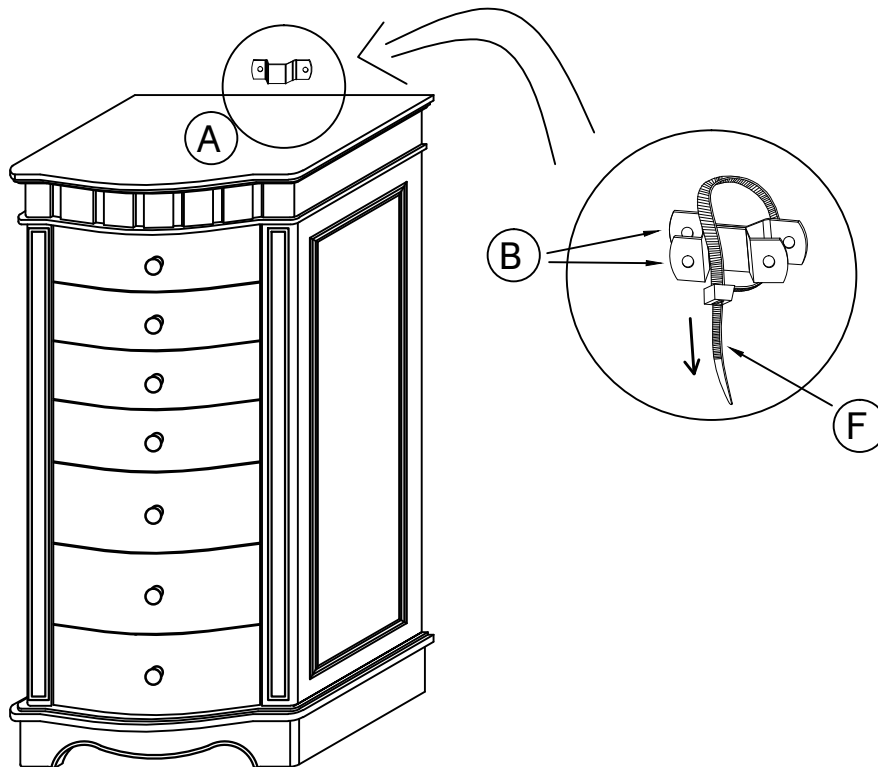
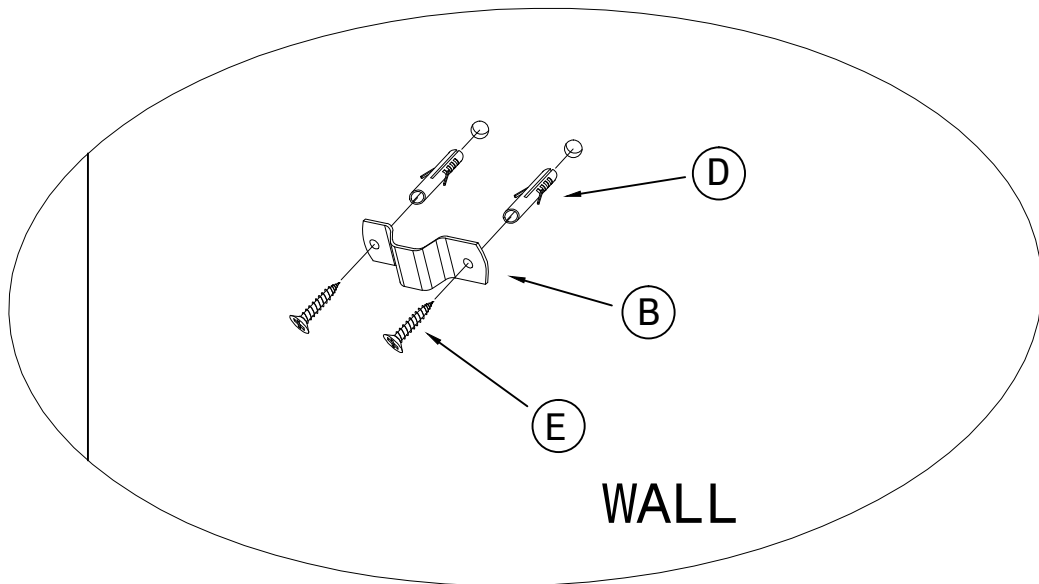
Warning

The anti-tip hardware must be used as part of assembly!



1) . ASSEMBLE THE HOOKS(B) .

- ATTACH 1 HOOK(B) USING 2 SCREWS(C) IN THE PREDRILLED HOLES ON THE REAR OF THE CABINET (A) .



2) . ASSEMBLE THE ANTI-TIP HARDWARE.

- DRILL 2 HOLES INTO THE WALL, PLEASE REFER TO THE REAR TOP PANEL'S HOLE DISTANCE AND HEIGHT.
- PUT 2 GECKOS(D) INTO THE HOLES IN THE WALL AND ROTATE 2 SCREWS(E) INTO THE GECKOS(D) .
- CONNECT THE TWO HOOKS(B) WITH A PLASTIC BELT(F) .