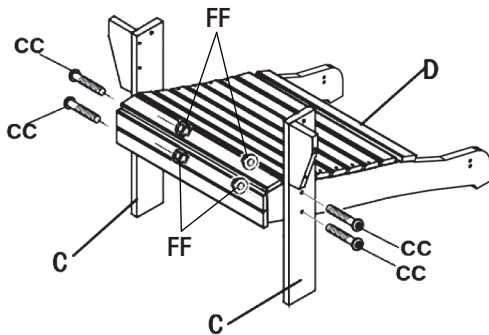


Assembly

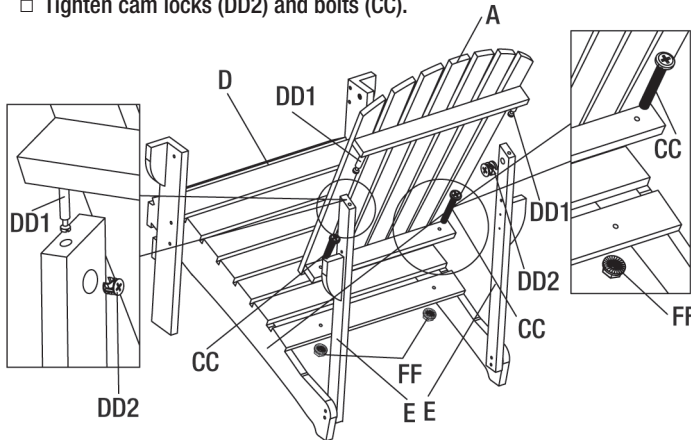
1 Attaching the front legs to the seat

- Attach the front legs (C) to the seat (D) with bolts(CC). Do NOT completely tighten at this time.



3 Installing the back rest

- Attach bolts (DD1) to back rest (A).
- Attach the back rest (A) to the seat (D) with bolts (CC) and back brackets (E) with cam bolts (DD1), Adjust the back brackets (E) to align the holes if necessary.
- Secure the back rest (A) and back brackets (E) with cam locks (DD2).
- Tighten cam locks (DD2) and bolts (CC).

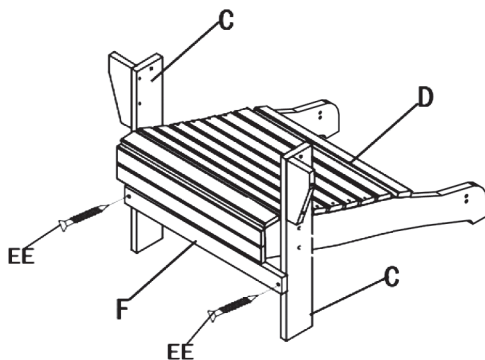


5 Securing the seat

- Secure the seat (D) and the front legs (C) by attaching the cross beam (F) using self-tapping screws (EE).



NOTE: Please ensure all the bolts are assembled correctly and use the screwdriver or wrench to tighten. Do not fully tighten bolts/screws until all pieces are loosely assembled.

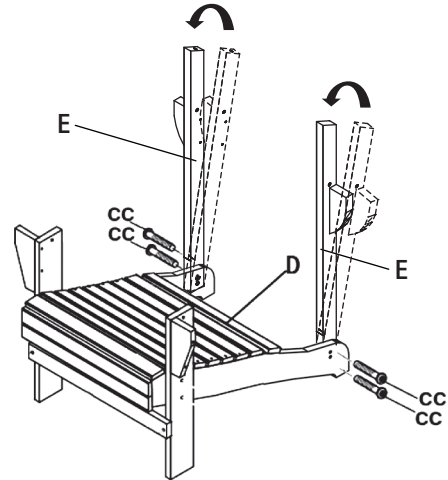


2 Installing the back bracket

- Attach the back brackets (E) to the seat (D) with bolts (CC). Do NOT completely tighten at this time.



NOTE: Please ensure all the bolts are assembled correctly and use the screwdriver or wrench to tighten. Do not fully tighten bolts/screws until all pieces are loosely assembled.

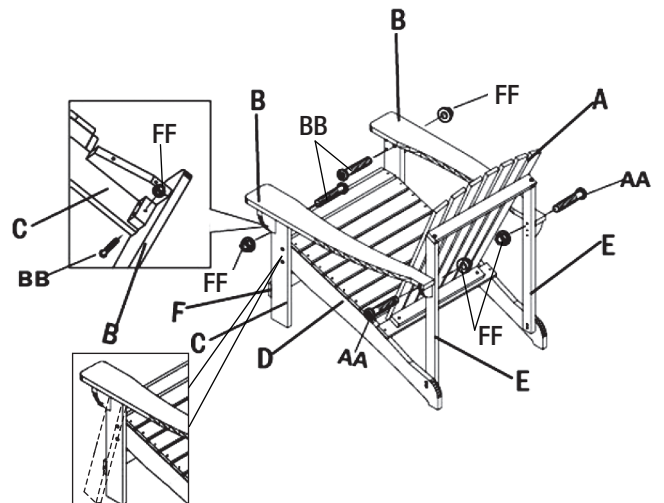


4 Assembling the arms

- Secure the back brackets (E) and the arms (B) together with bolts (AA) and nuts (FF).
- Secure the front legs (C) and the arms (B) with bolts (BB) and nuts (FF).
- Adjust the front legs (C) to align the holes if necessary.



NOTE: Please check the chair and bolts are properly aligned and then fully tighten all the screws/bolts.



6 Fully tighten all the screws/bolts

- Fully tighten all the screws/bolts