

IMPORTANT:
Read Before Using

IMPORTANT :
Lire avant usage

IMPORTANTE:
Leer antes de usar



Operating/Safety Instructions
Consignes de fonctionnement/sécurité
Instrucciones de funcionamiento y seguridad

1617
1617EVS
1617EVSPK
1618EVS



BOSCH

**Call Toll Free for
Consumer Information
& Service Locations**

**Pour obtenir des informations
et les adresses de nos centres
de service après-vente,
appelez ce numéro gratuit**

**Llame gratis para
obtener información
para el consumidor y
ubicaciones de servicio**

1-877-BOSCH99 (1-877-267-2499) www.boschtools.com

**For English Version
See page 2**

**Version française
Voir page 25**

**Versión en español
Ver la página 48**

General Power Tool Safety Warnings

⚠ WARNING Read all safety warnings and all instructions. Failure to follow the warnings and instructions may result in electric shock, fire and/or serious injury.

SAVE ALL WARNINGS AND INSTRUCTIONS FOR FUTURE REFERENCE

The term "power tool" in the warnings refers to your mains-operated (corded) power tool or battery-operated (cordless) power tool.

Work area safety

Keep work area clean and well lit. Cluttered or dark areas invite accidents.

Do not operate power tools in explosive atmospheres, such as in the presence of flammable liquids, gases or dust. Power tools create sparks which may ignite the dust or fumes.

Keep children and bystanders away while operating a power tool. Distractions can cause you to lose control.

Electrical safety

Power tool plugs must match the outlet. Never modify the plug in any way. Do not use any adapter plugs with earthed (grounded) power tools. Unmodified plugs and matching outlets will reduce risk of electric shock.

Avoid body contact with earthed or grounded surfaces such as pipes, radiators, ranges and refrigerators. There is an increased risk of electric shock if your body is earthed or grounded.

Do not expose power tools to rain or wet conditions. Water entering a power tool will increase the risk of electric shock.

Do not abuse the cord. Never use the cord for carrying, pulling or unplugging the power tool. Keep cord away from heat, oil, sharp edges or moving parts. Damaged or entangled cords increase the risk of electric shock.

When operating a power tool outdoors, use an extension cord suitable for outdoor use. Use of a cord suitable for outdoor use reduces the risk of electric shock.

If operating a power tool in a damp location is unavoidable, use a Ground Fault Circuit Interrupter (GFCI) protected supply. Use of an GFCI reduces the risk of electric shock.

Personal safety

Stay alert, watch what you are doing and use common sense when operating a

power tool. Do not use a power tool while you are tired or under the influence of drugs, alcohol or medication. A moment of inattention while operating power tools may result in serious personal injury.

Use personal protective equipment. Always wear eye protection. Protective equipment such as dust mask, non-skid safety shoes, hard hat, or hearing protection used for appropriate conditions will reduce personal injuries.

Prevent unintentional starting. Ensure the switch is in the off-position before connecting to power source and / or battery pack, picking up or carrying the tool. Carrying power tools with your finger on the switch or energizing power tools that have the switch on invites accidents.

Remove any adjusting key or wrench before turning the power tool on. A wrench or a key left attached to a rotating part of the power tool may result in personal injury.

Do not overreach. Keep proper footing and balance at all times. This enables better control of the power tool in unexpected situations.

Dress properly. Do not wear loose clothing or jewelry. Keep your hair, clothing and gloves away from moving parts. Loose clothes, jewelry or long hair can be caught in moving parts.

If devices are provided for the connection of dust extraction and collection facilities, ensure these are connected and properly used. Use of dust collection can reduce dust-related hazards.

Power tool use and care

Do not force the power tool. Use the correct power tool for your application. The correct power tool will do the job better and safer at the rate for which it was designed.

Do not use the power tool if the switch does not turn it on and off. Any power tool that cannot be controlled with the switch is dangerous and must be repaired.



Disconnect the plug from the power source and/or the battery pack from the power tool before making any adjustments, changing accessories, or storing power tools. Such preventive safety measures reduce the risk of starting the power tool accidentally.

Store idle power tools out of the reach of children and do not allow persons unfamiliar with the power tool or these instructions to operate the power tool. Power tools are dangerous in the hands of untrained users.

Maintain power tools. Check for misalignment or binding of moving parts, breakage of parts and any other condition that may affect the power tool's operation. If damaged, have the power tool repaired before use. Many accidents are caused by poorly maintained power tools.

Keep cutting tools sharp and clean. Properly maintained cutting tools with sharp cutting edges are less likely to bind and are easier to control.

Use the power tool, accessories and tool bits etc. in accordance with these instructions, taking into account the working conditions and the work to be performed. Use of the power tool for operations different from those intended could result in a hazardous situation.

Service

Have your power tool serviced by a qualified repair person using only identical replacement parts. This will ensure that the safety of the power tool is maintained.

Safety Rules for Routers

Hold power tool by insulated gripping surfaces, because the cutter may contact its own cord. Cutting a "live" wire may make exposed metal parts of the power tool "live" and shock the operator.

Use clamps or another practical way to secure and support the workpiece to a stable platform. Holding the work by your hand or against the body leaves it unstable and may lead to loss of control.

Do not drill, fasten or break into existing walls or other blind areas where electrical wiring may exist. If this situation is unavoidable, disconnect all fuses or circuit breakers feeding this worksite.

Always make sure the work surface is free from nails and other foreign objects. Cutting into a nail can cause the bit and the tool to jump and damage the bit.

Never hold the workpiece in one hand and the tool in the other hand when in use. Never place hands near or below cutting surface. Clamping the material and guiding the tool with both hands is safer.

Never lay workpiece on top of hard surfaces, like concrete, stone, etc... Protruding cutting bit may cause tool to jump.

Always wear safety goggles and dust mask. Use only in well ventilated area.

Using personal safety devices and working in safe environment reduces risk of injury.

After changing the bits or making any adjustments, make sure the collet nut and any other adjustment devices are securely tightened. Loose adjustment device can unexpectedly shift, causing loss of control, loose rotating components will be violently thrown.

Never start the tool when the bit is engaged in the material. The bit cutting edge may grab the material causing loss of control of the cutter.

Always hold the tool with two hands during start-up. The reaction torque of the motor can cause the tool to twist.

The direction of feeding the bit into the material is very important and it relates to the direction of bit rotation. When viewing the tool from the top, the bit rotates clockwise. Feed direction of cutting must be counter-clockwise. NOTE: inside and outside cuts will require different feed direction, refer to section on feeding the router. Feeding the tool in the wrong direction, causes the cutting edge of the bit to climb out of the work and pull the tool in the direction of this feed.

Never use dull or damaged bits. Sharp bits must be handled with care. Damaged



bits can snap during use. Dull bits require more force to push the tool, possibly causing the bit to break.

Never touch the bit during or immediately after the use. After use the bit is too hot to be touched by bare hands.

Never lay the tool down until the motor has come to a complete standstill. The spinning bit can grab the surface and pull the tool out of your control.

Never use bits that have a cutting diameter greater than the opening in the base.

The rated speed of the accessory must be at least equal to the maximum speed marked on the power tool. Accessories running faster than their RATED SPEED can break and fly apart.

Additional Safety Warnings

GFCI and personal protection devices like electrician's rubber gloves and footwear will further enhance your personal safety.

Do not use AC only rated tools with a DC power supply. While the tool may appear to work, the electrical components of the AC rated tool are likely to fail and create a hazard to the operator.

Keep handles dry, clean and free from oil and grease. Slippery hands cannot safely control the power tool.

Use clamps or other practical way to secure and support the workpiece to a stable platform. Holding the work by hand or against your body leaves it unstable and may lead to loss of control.

Develop a periodic maintenance schedule for your tool. When cleaning a tool be careful not to disassemble any portion of the tool since internal wires may be misplaced or pinched or safety guard return springs may be improperly mounted. Certain cleaning agents such as gasoline,

carbon tetrachloride, ammonia, etc. may damage plastic parts.

Risk of injury to user. The power cord must only be serviced by a Bosch Factory Service Center or Authorized Bosch Service Station.

⚠ WARNING Some dust created by power sanding, sawing, grinding, drilling, and other construction activities contains chemicals known to cause cancer, birth defects or other reproductive harm. Some examples of these chemicals are:

- Lead from lead-based paints,
- Crystalline silica from bricks and cement and other masonry products, and
- Arsenic and chromium from chemically-treated lumber.

Your risk from these exposures varies, depending on how often you do this type of work. To reduce your exposure to these chemicals: work in a well ventilated area, and work with approved safety equipment, such as those dust masks that are specially designed to filter out microscopic particles.

Safety Rules for Router Table

Read and understand the tool manual and these instructions for the use of this table with your router. Failure to follow all instructions listed below may result in serious personal injury.

Unplug tool before setting up in table, making adjustments or changing bits. Accidental start-up of the tool can cause injury.

Fully assemble and tighten all the fasteners required for this table and mounting the router. Also remember to occasionally check the stand and make sure it is still tight. A loose stand is unstable and may shift in use and cause serious injury.

Before operating make sure the entire unit is placed on a solid, flat, level surface. Serious injury could occur if tool is unstable and tips.

Never stand on the table or use as ladder or scaffolding. Serious injury could occur if the table is tipped or the cutting tool is accidentally contacted. Do not store materials on or near the table such that it is necessary to stand on the table or its stand to reach them.

Never use dull or damaged bits. Sharp bits must be handled with care. Damaged bits can snap during use. Dull bits require more force to push the workpiece, possibly causing the bit to break.

Match the appropriate bit and its speed to your application. Do not use bits that have a cutting diameter that exceeds the capacity of the tool. Overloading the tool can lead to personal injury or tool failure.

Never start the tool when the bit is engaged in the material. The bit cutting edge may grab the material causing loss of control of the workpiece.

Router bits are intended for wood, wood products and plastic only. Be sure the workpiece does not contain nails, etc. before routing. Cutting a nail or the like will cause the carbides to be dislodged, fly toward the operator side, and possibly strike you or bystanders.

Feed the workpiece against the rotation of the bit. The bit rotates counter-clockwise

as viewed from the top of table. Feeding the work in the wrong direction will cause the workpiece to "climb" up on the bit and may lead to loss of control during operation.

Never place hands near the spinning bit. Use push sticks, vertical and horizontally mounted feather boards (spring sticks) and other jigs to hold down the workpiece and keep your hands away from the spinning bit. Router cuts are blind cuts but the bit still protrudes through the table and you must be aware of the position of your hands relative to the spinning bit.

We do not recommend cutting material that is warped, wobbly or otherwise unstable. If this situation is unavoidable always cut the material with the concave side against the table. Cutting the material with the concave side up or away from table may cause the warped or wobbly material to roll; causing you to lose control, kickback and serious personal injury may result.

Use the adjustable fence in straight cutting applications. When routing along an entire edge of the work, the fence, fence faces, and adjustable outfeed fence support shims will help maintain stability.

When the table is used without the fence, piloted bits (or "bearing bits") must be used. Piloted bits are used when routing internal and external contours on a workpiece. The bearing of the piloted bit assists in maintaining control of the workpiece. Whenever possible, the starter pin should also be used.




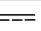








After changing the bits or making any adjustments, make sure the collet nut and any other adjustment devices are securely tightened. Loose adjustment device can unexpectedly shift, causing loss of control, loose rotating components will be violently thrown.

Never touch the bit during or immediately after the use. Contact with a spinning bit will cause injury and after use the bit is too hot to be touched by bare hands.

Use only Bosch replacement parts. Any others may create a hazard.

Symbols

IMPORTANT: Some of the following symbols may be used on your tool. Please study them and learn their meaning. Proper interpretation of these symbols will allow you to operate the tool better and safer.

Symbol	Name	Designation/Explanation
V	Volts	Voltage (potential)
A	Amperes	Current
Hz	Hertz	Frequency (cycles per second)
W	Watt	Power
kg	Kilograms	Weight
min	Minutes	Time
s	Seconds	Time
\varnothing	Diameter	Size of drill bits, grinding wheels, etc.
n_0	No load speed	Rotational speed, at no load
n	Rated speed	Maximum attainable speed
.../min	Revolutions or reciprocation per minute	Revolutions, strokes, surface speed, orbits etc. per minute
0	Off position	Zero speed, zero torque...
1, 2, 3, ... I, II, III,	Selector settings	Speed, torque or position settings. Higher number means greater speed
	Infinately variable selector with off	Speed is increasing from 0 setting
	Arrow	Action in the direction of arrow
	Alternating current	Type or a characteristic of current
	Direct current	Type or a characteristic of current
	Alternating or direct current	Type or a characteristic of current
	Class II construction	Designates Double Insulated Construction tools.
	Earthing terminal	Grounding terminal
	Warning symbol	Alerts user to warning messages
	Li-ion RBRC seal	Designates Li-ion battery recycling program
	Ni-Cad RBRC seal	Designates Ni-Cad battery recycling program
	Read manual symbol	Alerts user to read manual
	Wear eye protection symbol	Alerts user to wear eye protection



Symbols (continued)

IMPORTANT: Some of the following symbols may be used on your tool. Please study them and learn their meaning. Proper interpretation of these symbols will allow you to operate the tool better and safer.



This symbol designates that this tool is listed by Underwriters Laboratories.



This symbol designates that this tool is recognized by Underwriters Laboratories.



This symbol designates that this tool is listed by Underwriters Laboratories, to United States and Canadian Standards.



This symbol designates that this tool is listed by the Canadian Standards Association.



This symbol designates that this tool is listed by the Canadian Standards Association, to United States and Canadian Standards.



This symbol designates that this tool is listed by the Intertek Testing Services, to United States and Canadian Standards.



This symbol designates that this tool complies to NOM Mexican Standards.



Functional Description and Specifications

WARNING Disconnect the plug from the power source before making any assembly, adjustments or changing accessories. Such preventive safety measures reduce the risk of starting the tool accidentally.

Routers

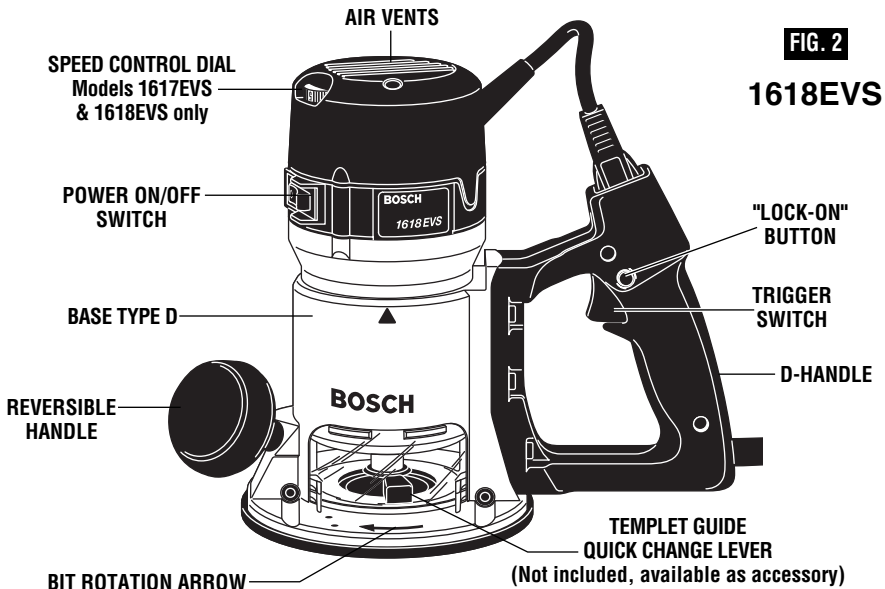
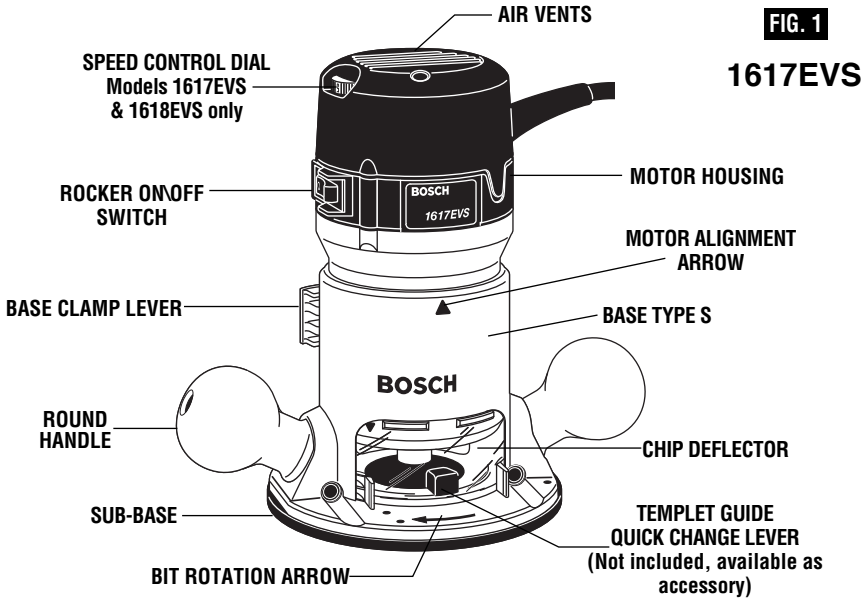
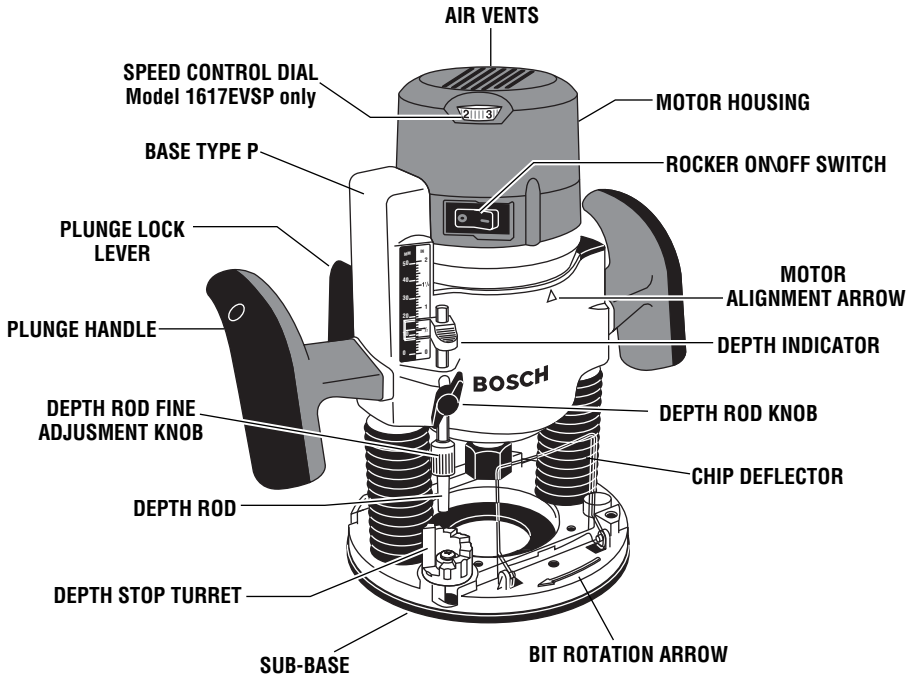


FIG. 3

1617EVSPK



Collet capacities 1/4", 3/8", 1/2", 8mm

NOTE: For tool specifications refer to the nameplate on your tool.

RA1161 fixed-base shop router base marked type "S" is designed for use with these router motors:
 1617 router motor (16171)
 1617EVS router motor (16176)
 1618EVS router motor (16186)

RA1162 D-handle router base marked type "D" is designed only for use with these router motors:
 1618EVS router motor (16186)

RA1166 plunge router base marked type "P" is designed for use with these router motors:
 1617 router motor (16171)
 1617EVS router motor (16176)
 1618EVS router motor (16186)

Assembly

A wide assortment of router bits with different profiles is available separately. Use 1/2" shank whenever possible, and only use good quality bits.

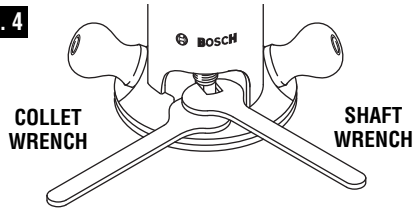
⚠ WARNING To prevent personal injury, always remove the plug from power source before removing or installing bits or accessories.

INSTALLING A ROUTER BIT

Place router upside down or lay router on its side with the base resting on the bench. Another option is to remove the motor from the base before installing the bit.

1. Remove the chip shield (or flip up if plunge base is attached).
2. Hold the armature shaft in place with the shaft wrench (Fig. 4)
3. Next, use the collet wrench to loosen the collet chuck assembly in counter-clockwise direction (viewed from under the router).
4. Once you have verified that the bit's shank is of the proper diameter for the collet to be used, insert the shank of the router bit into the collet chuck assembly as far as it will go, then back the shank out until the cutters are approximately 1/8" to 1/4" away from the collet nut face.
5. With the router bit inserted and the shaft wrench holding the armature shaft, use the collet wrench to firmly tighten the collet chuck assembly in a clockwise direction (viewed from under the router). To ensure proper gripping of the router bit and minimize run-out, the shank of the router bit must be inserted at least 5/8".

FIG. 4



To tighten or loosen collet nut, hold both wrenches in one hand and and squeeze the wrenches together.

⚠ WARNING When the templet guide has been removed from base, do not use router bits greater than 2" in diameter as they will not fit through the sub-base.

⚠ WARNING Cutter diameter must be at least 1/4" smaller than opening for the bit and cutter.

⚠ CAUTION To prevent damage to tool, do not tighten collet without a bit.

NOTE: The bit shank and chuck should be clean and free of dust, wood, residue and grease before assembling.

REMOVING THE ROUTER BIT

1. Use the shaft and collet chuck wrenches as described earlier, and turn the collet chuck assembly in a counter-clockwise direction.
2. Once the collet chuck assembly is loosened continue to turn the collet chuck assembly until it pulls the collet free from its taper, and the router bit can be removed.

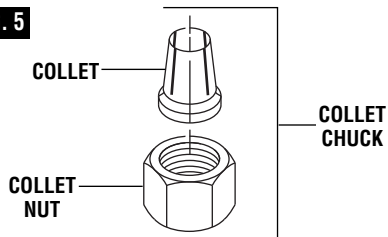
NOTE: The collet chuck is self-extracting; it is NOT necessary to strike the collet chuck to free the router bit.

COLLET CHUCK CARE

With the router bit removed, continue to turn the collet chuck counter-clockwise until it is free of the shaft. To assure a firm grip, occasionally blow out the collet chuck with compressed air, and clean the taper in the armature assembly shaft with a tissue or fine brush. The collet chuck is made up of two component parts as illustrated (Fig. 5); check to see that the collet is properly seated in the collet chuck nut and lightly thread the collet

chuck back onto the armature shaft. Replace worn or damaged collet chucks immediately.

FIG. 5



REMOVING MOTOR FROM BASE (Fig. 6)

To remove motor from non-plunge bases:

1. Hold router in horizontal position, open base clamp lever, depress coarse adjustment lever, and pull motor upwards until it stops.
2. Turn motor counter-clockwise, and gently pull it free of base.

To remove motor from plunge base: (Fig. 7)

1. Hold router in horizontal position, open base clamp lever, and pull motor upwards until it stops.
2. Turn motor counter-clockwise, and gently pull it free of base.

INSTALLING MOTOR IN BASE

The motor can be installed with the switch positioned on the right or left of the base from the operator's side (and the cord facing the opposite side of the router). Install the motor so that the switch is in the location you find to be the most easily accessible from the handles. The switch should be easier to turn "OFF" than "ON" in case of an emergency.

To install motor in non-plunge base:

1. Release the base clamp lever.
2. Line up the arrow on the base with arrow on the motor. (Fig. 8)
 - To position switch on the right side of the base, line up the base's arrow with motor housing's arrow that is below the cord.
 - To position switch on the left, line up the base's arrow with motor housing's arrow that is below the switch.
3. While pressing the coarse adjustment lever, slide motor into base until resistance in felt. (The base's guide pin is now engaged into slot on motor.)
4. Continue to press coarse adjustment lever, and turn the motor clockwise until it stops.
5. Push the motor into the base until it reaches the approximate desired depth.
6. Release the coarse adjustment lever and slide the motor forward or back as needed until the coarse adjustment system's "catch" springs into the coarse adjustment detent notch.
7. Set final height position as described below in "Operating Instructions".

To install motor in plunge base:

1. Release the base clamp lever.
2. Line up the arrow on the base with arrow on the motor. (Fig. 8)
 - To position switch on the right side of the base, line up the base's arrow with arrow

on the motor housing that is below the cord.

- To position switch on the left, line up the base's arrow with arrow on the motor housing that is below the switch.
3. Slide motor into base until resistance in felt. (The base's guide pin is now engaged into slot on motor.)
 4. Turn the motor clockwise until it stops.
 5. Push the motor into the base as far as it will go.
 6. Fasten the base clamp lever.

FIG. 6

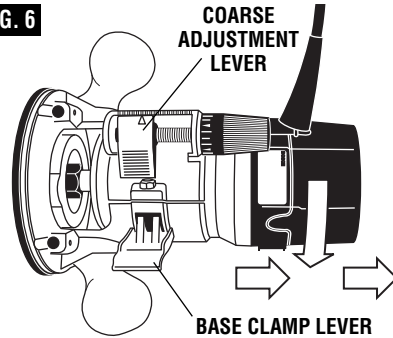


FIG. 7

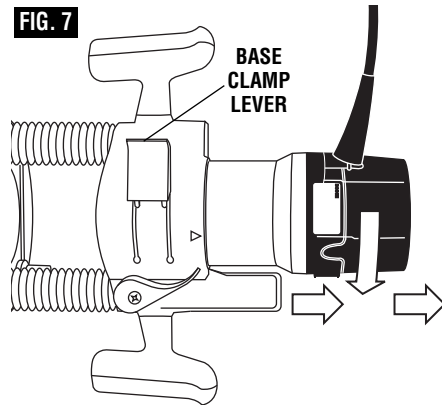
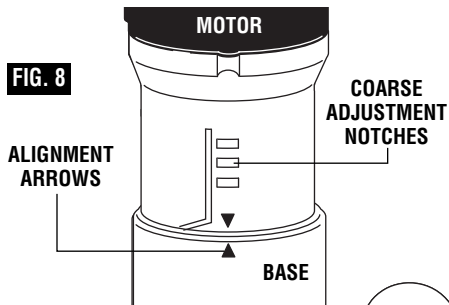


FIG. 8



CHIP DEFLECTOR

⚠ WARNING Always wear eye protection. The chip deflector is not intended as a safety guard.

The chip deflectors help keep dust and chips out of your face, it will not stop objects larger than dust thrown from the bit.

To remove chip shield from bases, press inward on tabs until it releases from base and remove. To attach, place deflector into position as shown in (Fig. 9). Then flex sides of deflector while pushing until it snaps into place. The plunge base's chip shield can also be flipped out.

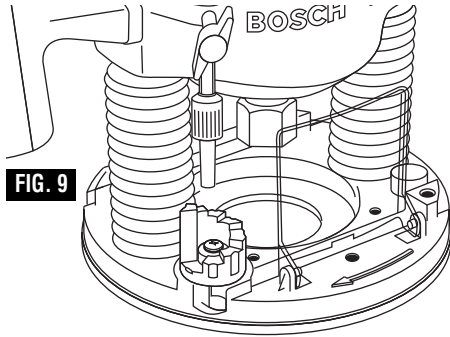


FIG. 9

Operating Instructions

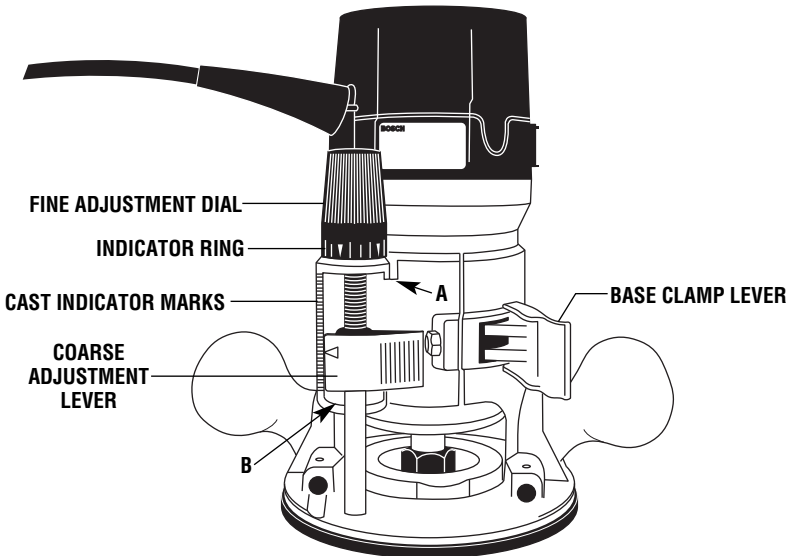


FIG. 10

Bosch routers are designed for speed, accuracy and convenience in performing cabinet work, routing, fluting, beading, cove-cutting, dove tails, etc. They will enable you to accomplish inlay work, decorative edges and many types of special carving.

DEPTH ADJUSTMENT WITH FIXED BASE

Router's RA1161 fixed base are equipped with a true micrometer type fine adjustment mechanism, which can be used in any position and provides precise adjustment of the router bit position for unmatched accuracy. When the tool is lowered to the approximate position desired, this device may be adjusted to precisely set the final bit position.

Your router also features three horizontal notches on both sides of the motor housing for coarse adjustments. The notches are spaced 1/2" apart which allows you to quickly lower or raise the tool depth in three 1/2" increments. (Approximately 12.7 mm), by simply depressing the coarse adjustment release lever.

TO ADJUST DEPTH

NOTE: All depth adjustments must be made with the base clamp lever released.

1. Hold the tool in a horizontal position with the base clamp lever facing you.
2. Open the base clamp lever to release the motor.

3. COARSE ADJUSTMENT:

To make a large depth adjustment, depress coarse adjustment release lever and raise or lower to desired depth. There are three notches in the motor housing which are spaced 1/2" to facilitate this adjustment.

4. FINE DEPTH ADJUSTMENT:

To use the fine adjustment feature, turn the fine adjustment knob clockwise to lower the router bit or counter-clockwise to raise it.

NOTE: Be sure coarse adjustment lever is engaged in one of the coarse adjustment notches before making a fine adjustment.

To allow precise settings, the indicator ring is graduated in English and Metric increments. (Note: one full turn of fine adjustment knob = 1/16" or approximately 1.5 mm. The fine adjustment mechanism has a total adjustment range of 7/8" (23 mm). Each cast indicator mark next to coarse adjustment lever is equal to 1/8"

To prevent damage to tool, avoid wedging the coarse adjustment lever against the upper A or lower B portion of the housing as shown in figure 10.

5. After making depth adjustments, re-clamp the motor.

The indicator ring may be reset to zero without moving the fine adjustment knob, to allow the user to begin the adjustment from any reference point desired.

When the router is installed in a router table, it can be adjusted with a 1/8" hex wrench, not included with all models. (See page 21).

The RA1002 Fine Adjustment Control Extension, an optional accessory for the non-

plunge bases, allows fine adjustment from beyond the top of the motor housing. To install, simply press the RA1002 into the end of the base's own fine adjustment knob. (Fig. 11)

TO CLAMP MOTOR

When final coarse and fine adjustments have been made, fasten the base clamp lever to secure adjustments. (If additional clamping force is desired: using a 10 mm wrench, rotate clamp nut clockwise SLIGHTLY (1/8 turn or less), then test clamp. Do not over-tighten.)

DEEP CUTS

For deeper cuts, make several progressively deeper cuts by starting at one depth and then make several subsequent passes, increasing the cutting depth with each pass.

To be certain that your depth settings are as desired, you may want to make test cuts in scrap material before beginning work.

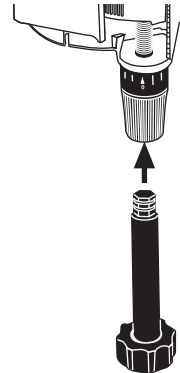


FIG. 11

DEPTH ADJUSTMENT WITH PLUNGE BASE PLUNGING ACTION

The plunge feature simplifies depth adjustments and will allow the cutting bit to easily and accurately enter the workpiece. To lower, push plunge lock lever to the left, apply downward pressure until you reach desired depth, and release pressure on lever to lock (Fig. 12). The plunge lock lever is spring loaded and returns automatically to the locked position. To raise the router, push plunge lock lever to the left, release pressure on router and the router will automatically retract the bit from the workpiece. It is advisable to retract the bit whenever it is not engaged in workpiece.

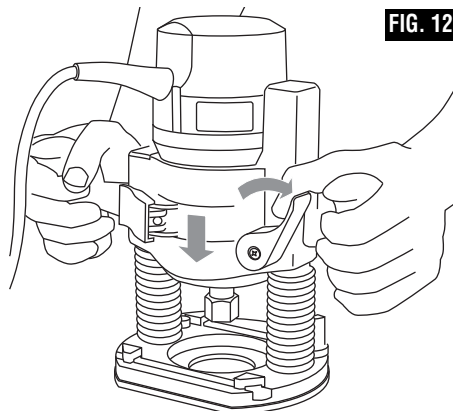


FIG. 12

DEPTH ROD AND TURRET

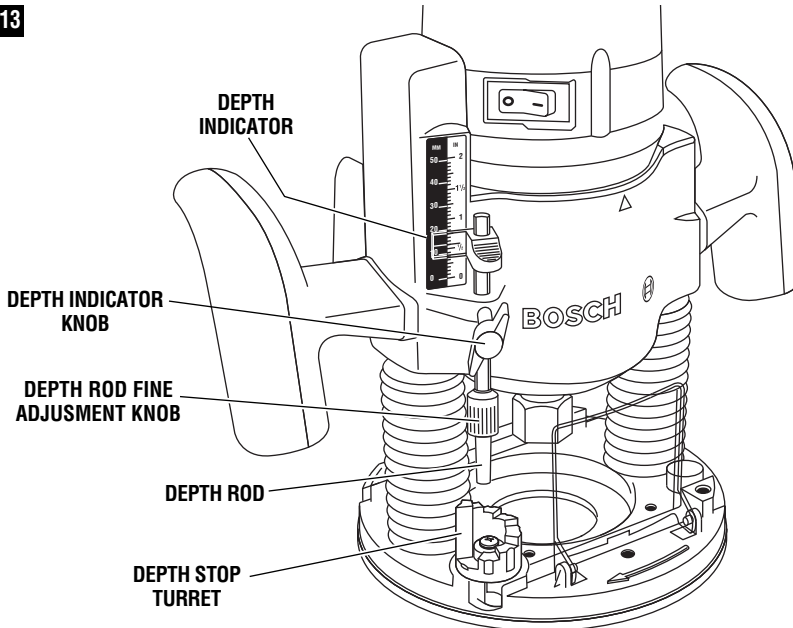
The depth rod and the depth stop turret are used to control cutting depth as follows;

1. With the bit installed, gently lower the motor until the tip of the router bit just contacts the level surface the router is sitting on. This is the "zero" position, from which further depth adjustments can be accurately made.
2. To set a desired depth of cut, rotate depth stop turret until the lowest step is aligned with the depth rod. Loosen depth indicator knob and lower the depth rod until it contacts the lowest step of the turret. Slide

the depth indicator until the red line indicates zero on the depth scale, indicating the point at which the bit just contacts the work (Fig. 13).

3. To set a desired cutting depth, slide the depth rod up until the red depth indicator line attains the desired cutting depth, and secure the rod in position by firmly tightening the depth indicator knob.
4. The desired depth of cut may now be achieved by plunging the router until the depth rod contacts the selected stop on the turret.

FIG. 13



DEEP CUTS

For deeper cuts, make several progressively deeper cuts by starting with the highest step on the depth turret, and after each cut, rotate the depth turret to progressively lower steps as desired, until the final depth (lowest step or flat) is reached. Steps progress by 1/8" increments.

To be certain that your depth settings are as desired, you may want to make test cuts in scrap material before beginning work.

FINE ADJUSTMENT

The RA1166 plunge base is equipped with a fine adjustment system that allows you to micro adjust the plunge depth of the router bit for superior routing accuracy.

Each complete revolution of the fine adjustment stop adjusts the plunging depth by 1/32", and each of the four indicator marks on the knob represents 1/128". One of the four tick marks is larger than the other to indicate a complete revolution. A reference indicator line is built in to the depth rod.

To use the fine adjustment knob, once the depth rod and turret have been set, check the final depth setting and fine-adjust as follows:

To micro-increase the plunge depth, raise the fine adjustment stop by turning it counter-clockwise by the desired amount.

To micro-reduce the plunge depth, lower the fine adjustment stop by turning it clockwise by the desired amount.

Notes:

- When micro-adjusting the plunge depth, it is more convenient to move the fine adjustment stop up than down. Before setting the depth rod and turret, make sure the fine adjustment stop has been turned several revolutions down from its top position so that it can be adjusted upward.
- The fine adjustment stop cannot be used to reduce the plunge depth when the depth rod is already touching the depth stop turret.

The router must be raised before such an adjustment can be made.

- Also available is an alternative turret that has an adjustable step which uses an M4 screw for the adjustable step. The adjustable step makes it possible to make multiple-pass applications without having to make a fine depth adjustment even when the total cutting depth is not a multiple of 1/8".

ROCKER "ON/OFF" SWITCH

Your tool can be turned "ON" or "OFF" by the rocker switch located on the motor housing. One side of the switch is marked "I" for "ON", and the other side of switch is marked "O" for "OFF". Also the edge of switch displays red when switch is in the "ON" position.

TO TURN THE TOOL "ON": Push the side of the switch marked "I".

TO TURN THE TOOL "OFF": Push the side of the switch marked "O".

Always hold the router off the work when turning the switch on or off. Contact the work with the router after the router has reached full speed, and remove it from the work before turning the switch off. Operating in this manner will prolong switch and motor life and will greatly increase the quality of your work (Fig. 1).

ROCKER POWER "ON-OFF" WITH TRIGGER SWITCH AND "LOCK-ON" BUTTON

(Model 1618EVS only)

The power is switched "ON" by the rocker switch located on the top of the motor housing as described above. Now your tool can be turned "ON" or "OFF" by squeezing or releasing the trigger. Your tool is also equipped with "Lock-ON" button located just above the trigger that allows continuous operation without holding the trigger (Fig. 2).

TO LOCK SWITCH ON: Squeeze trigger, depress button and release trigger.

TO UNLOCK THE SWITCH: Squeeze trigger and release it without depressing the "Lock-ON" button.

▲ WARNING If the "Lock-ON" button is continuously being depressed, the trigger cannot be released.

On model 1617 hold the tool with both hands while starting the tool, since torque from the motor can cause the tool to twist.

SOFT START FEATURE

(Models 1617EVS & 1618EVS only)

Electronic feedback control minimizes torque twist customary in larger routers by limiting the speed at which motor starts.

ELECTRONIC VARIABLE SPEED CONTROL

(Models 1617EVS & 1618EVS only)

The electronic speed control feature allows motor speed to be matched to cutter size and material hardness for improved finish, extended bit life, and higher performance. Speed changes are achieved by rotating Control Dial RIGHT to increase speed, LEFT to decrease as indicated on housing (Fig. 1). Speed may be changed while tool is on. The reference numbers on the dial facilitate re-setting control to desired speed.

The speed chart indicates the relationship between settings and application, exact settings are determined by operator experience and preference. The bit manufacturer may also have a speed recommendation.

DIAL SETTING	RPM	APPLICATION
1	8,000	} Nonferrous metals, larger diameter bits and cutters
2	13,500	
3	16,500	
4	20,000	} Softwoods, plastics, counter tops, smaller diameter bits and cutters
5	21,500	
6	25,000	

CONSTANT RESPONSE™ CIRCUITRY

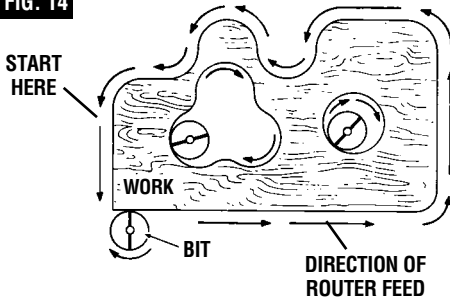
(Models 1617EVS & 1618EVS only)

The router's Constant Response™ Circuitry monitors and adjusts power to maintain the desired RPM for consistent performance and control.

FEEDING THE ROUTER

As seen from the top of the router, the bit turns clockwise and the cutting edges face accordingly. Therefore, the most efficient cut is made by feeding the router so that the bit turns into the work, not away. Figure 14 shows proper feed for various cuts. How fast you feed depends on the hardness of the material and the size of the cut. For some materials, it is best to make several cuts of increasing depth.

FIG. 14



If the router is hard to control, heats up, runs very slowly or leaves an imperfect cut, consider these causes:

1. Wrong direction of feed — hard to control.
2. Feeding too fast — overloads motor.
3. Dull bit — overloads motor.
4. Cut is too large for one pass — overloads motor.
5. Feeding too slow — leaves friction burns on work.

Feed smoothly and steadily (do not force). You will soon learn how the router sounds and feels when it is working best.

RATE OF FEED

When routing or doing related work in wood and plastics, the best finishes will result if the depth of cut and feed rate are regulated to keep the motor operating at high speed. Feed the router at a moderate rate. Soft materials require a faster feed rate than hard materials.

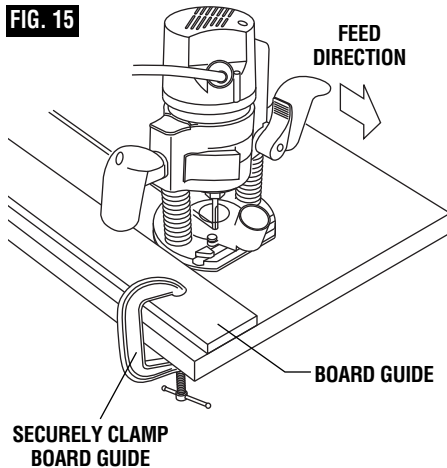
The router may stall if improperly used or overloaded. Reduce the feed rate to prevent possible damage to the tool. Always be sure the collet chuck is tightened securely before use. Always use router bits with the shortest cutting length necessary to produce the desired cut. This will minimize router bit run-out and chatter.

GUIDING THE ROUTER

The router can be guided through the work in any of several ways. The method you use depends, of course, on the demands of the particular job and on convenience.

For routing operations such as grooving or dadoing, it is often necessary to guide the tool in a line parallel to a straight edge. One method of obtaining a straight cut is to securely clamp a board or other straightedge to the work surface, and guide the edge of the router sub-base along this path (Fig. 15).

FIG. 15



ROUTER DUST COLLECTION

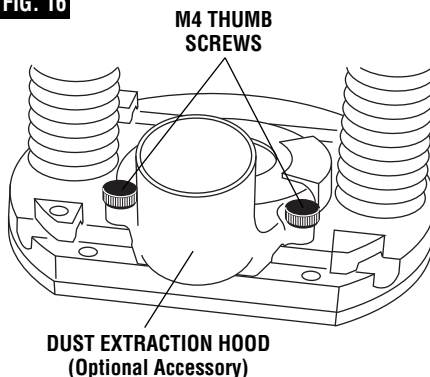
There are three optional dust extraction hood accessories. Each dust extraction hood is sized to accept 35mm vacuum hoses. Each accessory pack includes the VAC002 adapter that will connect the hood to 1-1/4" and 1-1/2" vacuum hoses. An adapter to connect the hood to 2-1/2" hoses is also available separately.

ROUTER DUST COLLECTION FOR PLUNGE BASE

This dust extraction hood is designed for use the plunge base (RA1166) when routing is done in the middle of the workpiece, such as when creating slots or routing patterns for inlays. If you have a shop vacuum system, you can attach the dust extraction hood for improved visibility, accuracy and utility, particularly in freehand routing.

To attach, position as shown and secure adapter to base with the thumbscrews provided (Fig. 16).

FIG. 16



The dust extraction hood can also be installed with the hose outlet facing the front of the tool. If the templet guide adapter is installed, it will need to be reversed or removed to allow the release lever to fit under the dust hood.

DUST EXTRACTION HOOD FOR BACKSIDE OF FIXED BASE

WARNING Read and understand these instructions and tool manual for use of these accessories.

Do not reach in area of the bit while the router is ON or plugged in.

CAUTION To avoid entangling hoses, do not use this dust extraction hood at the same time as any other dust extraction hood.

This dust extraction hood is designed for use with Bosch routers 1617, 1617EVS, 1618EVS and their fixed bases when the routing is done in the middle of the workpiece, such as when creating slots or routing out patterns for inlays.

To attach the hood to the router base, slide the hood into the backside of the router base around the router's depth adjustment rod with the hood's rounded corners facing up (Fig. 17 & 18). Securely tighten the two knurled thumbscrews.

USING THE HOOD FOR BACKSIDE OF FIXED BASE

For maximum dust collection effectiveness, make sure the router's chip shield is in place.

FIG. 17

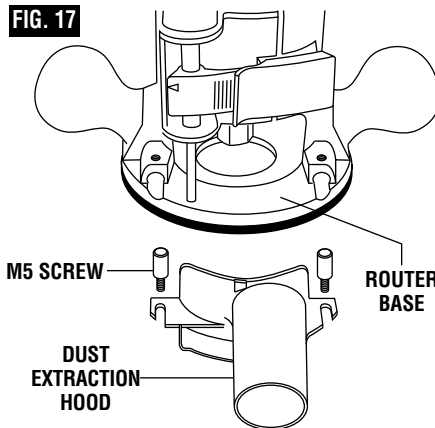
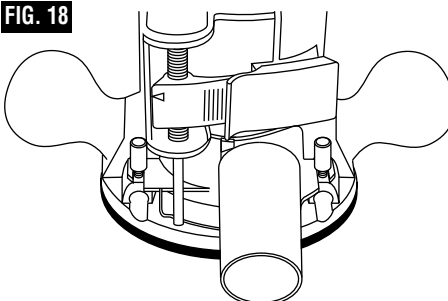


FIG. 18



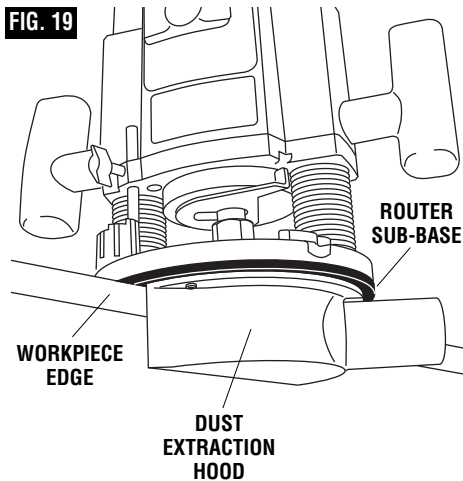
EDGEFORMING DUST EXTRACTION HOOD

⚠ WARNING Do not reach in area of the bit while the router is ON or plugged in. To avoid entangling hoses, do not use this dust extraction hood at the same time as any other dust extraction hood.

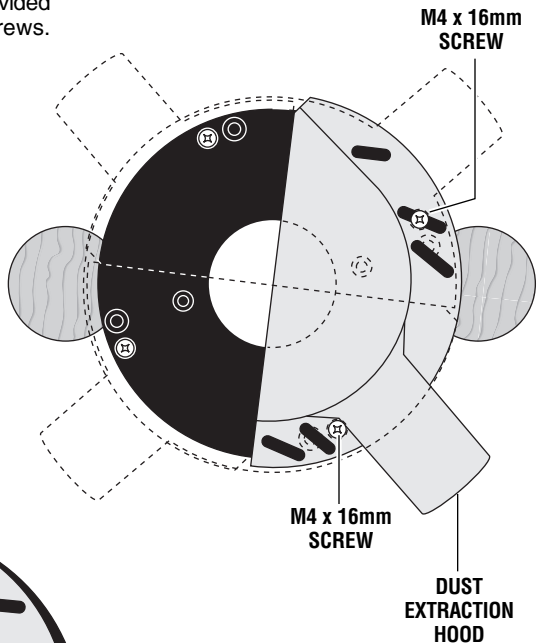
This dust extraction hood (optional accessory) is used for dust collection when edge-forming (Fig. 19).

ATTACHING DUST EXTRACTION HOOD

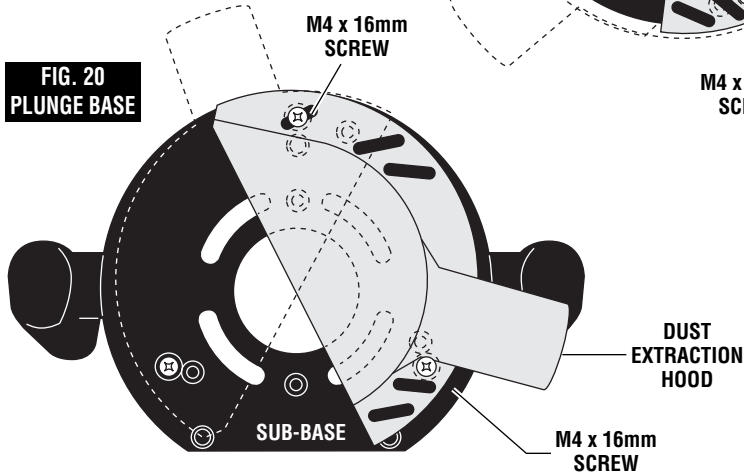
You can attach the edge-forming hood in several places according to your needs or preferences. This hood is attached using two of the screw holes on the router base that are used to attach the router's sub-base. Choose the desired location for the hood. Loosen and take out the two screws from the router base and attach the dust extraction hood — over the router's sub-base — using the screws provided with the hood. Securely tighten the screws. (Figures 20 & 21).



**FIG. 21
OTHER BASES**



**FIG. 20
PLUNGE BASE**



DELUXE ROUTER GUIDE

(Not included, available as accessory)

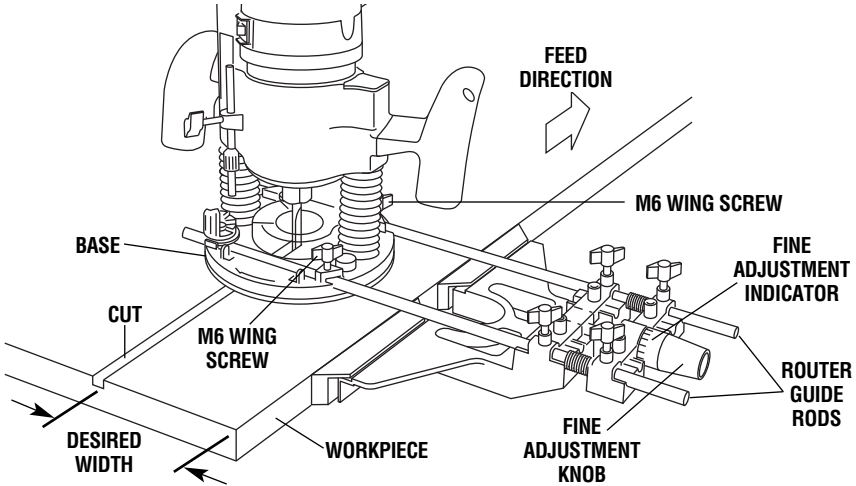
The Bosch deluxe router guide is an optional accessory that will guide the router parallel to a straight edge or allow you to create circles and arcs.

The deluxe router guide is supplied with two rods and screws to fasten the guide (Fig. 22). In addition, it features a fine adjustment knob and indicator for accurately positioning the edge guide relative to the bit. With the guide installed and adjusted, the router should be fed

normally, keeping the guide in contact with the edge of the workpiece at all times. The deluxe router guide may also be positioned directly under the router base for operations where a cut is needed close to or at the edge of the work. The deluxe router guide includes a dust extraction hood and the VAC002 vacuum hose adapter.

For complete instructions on installation and operation, please refer to the instructions which are included with this accessory.

FIG. 22



TEMPLER GUIDES

This router can also be used with the optional Bosch-exclusive quick-change templet guide system, which firmly grips the guides with a spring-loaded ring. Unlike conventional threaded templet guides, there is no threaded ring that can come loose while routing.

Templet guides are used with a number of special accessories, such as hinge templates, which are listed in your BOSCH catalog. In addition, special templates are easily prepared for cutting repeated patterns, special designs, inlays, and other applications. A templet pattern may be made of plywood, hardboard, metal or even plastic, and the design can be cut with a router, jigsaw, or other suitable cutting tool. Remember that the pattern will have to be made to compensate for the distance between the router bit and the templet guide (the "offset"), as the final workpiece will differ in size from the templet pattern by that amount, due to the bit position (Fig. 24).

FIG. 23

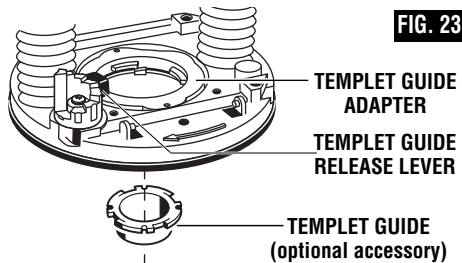
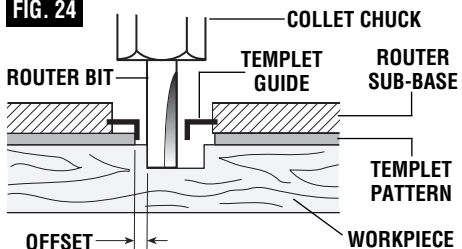


FIG. 24



INSTALLING TEMPLER GUIDE ADAPTER
(Not included, available as accessory)

Place templet guide adapter over the holes in the center of the sub-base, and align the two threaded holes in the bottom of adapter with the countersunk holes in sub-base. Fasten adapter with the screws provided. Note that the adapter is reversible, so the release lever may be positioned as desired. (Fig. 25)

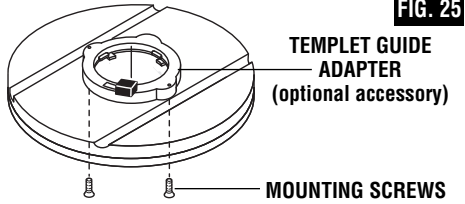


FIG. 25

CENTERING THE SUB-BASE OR TEMPLER GUIDES

Your router features the Bosch "Precision Centering Design". Its sub-base is precisely centered at the factory. This positions the bit at the center of the sub-base and optional templet guides.

Precision centering allows you to use the edge of the subbase or templet guides to closely follow jigs such as straight guides, templets, and dovetail fixtures without worrying about bit walk-off from the intended cut line for any reason, including the orientation of the router's handles relative to the jig.

To quickly re-center the sub-base, attach the sub-base using the set of flathead screws (included) and the countersunk screw holes in the sub-base. (Flathead screws have the

tapered heads.) The flathead screws and countersunk holes will pull the sub-base into a position that is very close to centered.

To most precisely re-center the sub-base or templet guides, attach the sub-base using the optional Bosch RA1151 Centering Device. Follow steps 1-8 (Fig. 26 & 27).

1. If a templet guide is to be centered, install the templet guide adapter and template guide (optional attachments) as described elsewhere in this manual.
2. Position the sub-base so that its pan-head screw holes are over the matching set of threaded holes in the base.
3. Insert the pan-head screws through the sub-base and tighten them until they are snug, but still allow the sub-base to move.

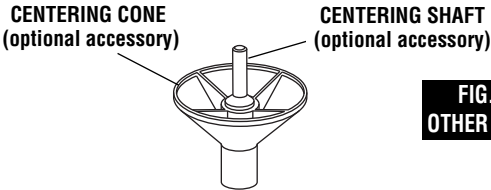
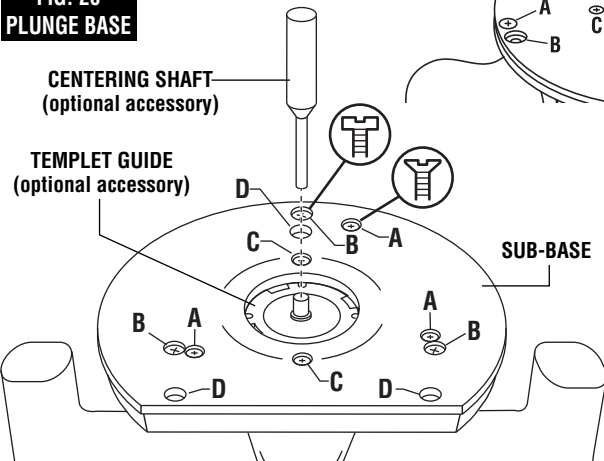


FIG. 27
OTHER BASES

FIG. 26
PLUNGE BASE



- A = M4 COUNTERSUNK SCREW HOLES**
- B = M4 PAN-HEAD SCREW HOLES**
- C = TEMPLER GUIDE ADAPTER SCREW HOLES**
- D = HOLES FOR ATTACHING ROUTER TO ROUTER TABLE MOUNTING PLATE (Under sub-base on non-plunge bases)**

4. Prepare the Centering Device:

- Use narrow end of steel shaft when inserting into 1/4" collet, wider end of cone when inserting into 1/2" collet.
- When centering subbase or templet guide that has opening of more than 1/2", slide the wide plastic sleeve over the steel shaft.

5. Slide centering sleeve through the sub-base or templet guide and into collet. Tighten

collet nut with fingers to put slight grip on centering cone.

6. Lightly press centering sleeve into sub-base or templet guide to center.

7. Tighten the pan-head screws. Remove centering sleeve.

8. The precision centering of the sub-base or templet guide is complete.

CENTERING CONE – Used when centering the subbase itself or wide templet guides.

MAXIMUM BIT/CUTTER SIZE FOR TEMPLET GUIDES

When using a templet guide, use only router bit with cutters that are 1/16" less than the internal diameter of the templet guide, such as in the table below.

USE WITH THREADED TEMPLET GUIDES

Also available as an optional accessory is an additional adapter, the RA1100, that allows use of conventional threaded templet guides with the Bosch quick-release system.

Bosch Templet Guide	Bushing Depth	External Diameter	Internal Diameter	Max Bit/Cutter Diameter
	A	B	B	
RA1101	3/16"	5/16"	1/4"	3/16"
RA1103	9/64"	5/16"	17/64"	13/64"
RA1105	9/64"	7/16"	3/8"	5/16"
RA1107	5/16"	7/16"	3/8"	5/16"
RA1109	7/16"	1/2"	13/32"	11/32"
RA1111	3/16"	5/8"	17/32"	15/32"
RA1113	1/2"	5/8"	17/32"	15/32"
RA1115	3/16"	3/4"	21/32"	19/32"
RA1117	31/64"	13/16"	5/8"	9/16"
RA1119	31/64"	1"	25/32"	21/32"
RA1121	7/16"	1-3/8"	1-19/64"	1-15/64"

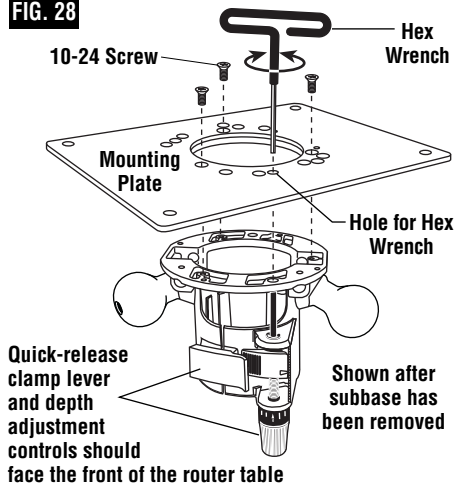
USE IN ROUTER TABLE

Your router can also be used in a router table. The RA1161 fixed base is designed to allow easy depth adjustment in a table. The RA1162 "D" D-Handle base will not fit in most router tables.

CAUTION The RA1166 Plunge Base is not recommended for use in a router table. Damage to plunge router base may occur.

To eliminate the hassle of installing your router's own base on the router table and later having to convert it back for non-table use, Bosch offers the optional RA1165 Undertable Router Base (Fig. 28). The RA1165 base is designed to be permanently attached your router table, leaving your other router bases ready for non-table use. The motor can be quickly moved from base to base — without any tools!

FIG. 28



The undertable base accessory includes the screws needed to fasten the base to a router table mounting plate, as well as a T-hex wrench for above-table depth adjustment.

ATTACHING BASE TO MOUNTING PLATE

Attach the RA1161 to the router table's mounting plate using either or both sets of enclosed mounting screws.

The base has two sets of threaded holes for mounting the base:

- Three 10-24 holes in industry-standard 3-hole pattern.
- Four M4 holes in Bosch 4-hole pattern.

Mounting screws required for the RA1161: (not included with all models).

- Three 10-24 screws.
- Four M4 screws.

The length will depend on the thickness of your router table or router table mounting plate.

If your router table mounting plate does not have countersunk holes in either of those patterns, you will need to determine the hole locations, drill and countersink them, also locate and drill a hole for the over-table adjustment wrench.

CONNECT THE ROUTER AND THE ROUTER TABLE SWITCH

To prepare for use of the switch,

1. Make sure the router switch and the router table switch are both turned off.
2. Plug the router table switch cord to wall outlet.
3. Plug the router into the "pigtail" socket on the router table switch.

4. Lock router switch on: squeeze trigger, depress lock-on button, and release trigger.
5. Use the router table switch to start and stop the router.

DEPTH ADJUSTMENT (See page 12-13)

FEEDING THE WORKPIECE ON A ROUTER TABLE

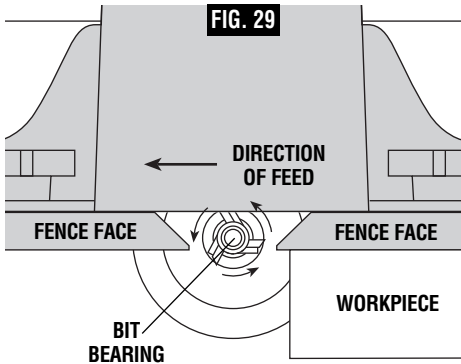
Always use your router table's fence or starter pin and the appropriate guard and follow the router table's instruction manual. ALWAYS feed the workpiece from right to left across the front of the bit. On Bosch router tables, the correct feed direction is also shown on fence housing and on the featherboards, when they have been properly installed. (Fig. 29)

Whenever possible, when using the fence, use a push stick to push the workpiece, especially when working with narrow pieces.

For complete instructions on operation of a router in a router table, please refer to the instructions that come with the router table.

TOP VIEW

NOTE: For clarity, guard and featherboard removed from drawing.



Maintenance

Service

⚠ WARNING Preventive maintenance performed by unauthorized personnel may result in misplacing of internal wires and components which could cause serious hazard. We recommend that all tool service be performed by a Bosch Factory Service Center or Authorized Bosch Service Station.

TOOL LUBRICATION

Your Bosch tool has been properly lubricated and is ready to use. It is recommended that tools with gears be regreased with a special gear lubricant at every brush change.

CARBON BRUSHES

The brushes and commutator in your tool have been engineered for many hours of dependable service. To maintain peak efficiency of the motor, we recommend every two to six months the brushes be examined. Only genuine Bosch replacement brushes specially designed for your tool should be used.

BEARINGS

After about 300-400 hours of operation, or at every second brush change, the bearings

should be replaced at Bosch Factory Service Center or Authorized Bosch Service Station. Bearings which become noisy (due to heavy load or very abrasive material cutting) should be replaced at once to avoid overheating or motor failure.

Cleaning

⚠ WARNING To avoid accidents always disconnect the tool from the power supply before cleaning or performing any maintenance. The tool may be cleaned most effectively with compressed dry air. **Always wear safety goggles when cleaning tools with compressed air.**

Ventilation openings and switch levers must be kept clean and free of foreign matter. Do not attempt to clean by inserting pointed objects through openings.

⚠ CAUTION Certain cleaning agents and solvents damage plastic parts. Some of these are: gasoline, carbon tetrachloride, chlorinated cleaning solvents, ammonia and household detergents that contain ammonia.

Extension Cords

⚠ WARNING If an extension cord is necessary, a cord with adequate size conductors that is capable of carrying the current necessary for your tool must be used. This will prevent excessive voltage drop, loss of power or overheating. Grounded tools must use 3-wire extension cords that have 3-prong plugs and receptacles.

NOTE: The smaller the gauge number, the heavier the cord.

RECOMMENDED SIZES OF EXTENSION CORDS
120 VOLT ALTERNATING CURRENT TOOLS

Tool's Ampere Rating	Cord Size in A.W.G.				Wire Sizes in mm ²			
	Cord Length in Feet				Cord Length in Meters			
	25	50	100	150	15	30	60	120
3-6	18	16	16	14	0.75	0.75	1.5	2.5
6-8	18	16	14	12	0.75	1.0	2.5	4.0
8-10	18	16	14	12	0.75	1.0	2.5	4.0
10-12	16	16	14	12	1.0	2.5	4.0	—
12-16	14	12	—	—	—	—	—	—

Accessories

1/4" Collet Chuck *

1/2" Collet Chuck *

16 mm Shaft Wrench *

24 mm Collet Nut Wrench *

T-Hex Wrench (Std with 1617EVS and
1617EVSPK only)

3/8" Collet Chuck **

8 mm Collet Chuck **

Deluxe Router Guide **

Centering Device **

Carry Case (Std with 1617K, 1617EVSK,
1617EVSPK only)

Dust Extraction Hoods **

Edge-Forming Dust Extraction Hood **

Fine Adjustment Control Extension **

Undertable Base with Fine Adjustment
Control Extension **

Router Tables **

Quick-Release Templet Guides **

Templet Guide Adapter **

Adapter for Standard-Style Templet Guides **

Adjustable Depth Stop Turret **

(* = standard equipment)

(** = optional accessories)



Avertissements généraux concernant la sécurité des outils électroportatifs

AVERTISSEMENT Veuillez lire tous les avertissements et toutes les consignes de sécurité. Si l'on n'observe pas ces avertissements et ces consignes de sécurité, il existe un risque de choc électrique, d'incendie et/ou de blessures corporelles graves.

CONSERVEZ TOUS LES AVERTISSEMENTS ET TOUTES LES CONSIGNES DE SÉCURITÉ POUR RÉFÉRENCE FUTURE.

Dans les avertissements, le terme « outil électroportatif » se rapporte à votre outil branché sur le secteur (avec fil) ou à votre outil alimenté par piles (sans fil).

Sécurité du lieu de travail

Maintenez le lieu de travail propre et bien éclairé. Les risques d'accident sont plus élevés quand on travaille dans un endroit encombré ou sombre.

N'utilisez pas d'outils électroportatifs dans des atmosphères explosives, comme par exemple en présence de gaz, de poussières ou de liquides inflammables. Les outils électroportatifs produisent des étincelles qui risquent d'enflammer les poussières ou les vapeurs.

Éloignez les enfants et les visiteurs quand vous vous servez d'un outil électroportatif. Vous risquez une perte de contrôle si on vous distrait.

Sécurité électrique

Les fiches des outils électroportatifs doivent correspondre à la prise. Il ne faut absolument jamais modifier la fiche. N'utilisez pas d'adaptateur de prise avec des outils électroportatifs munis d'une fiche de terre. Le risque de choc électrique est moindre si on utilise une fiche non modifiée sur une prise qui lui correspond.

Évitez tout contact du corps avec des surfaces reliées à la terre tels que tuyaux, radiateurs, gazinières ou réfrigérateurs. Le risque de choc électrique augmente si votre corps est relié à la terre.

N'exposez pas les outils électroportatifs à la pluie ou à l'humidité. Si de l'eau pénètre dans un outil électroportatif, le risque de choc électrique augmente.

Ne maltraitez pas le cordon. Ne vous en servez jamais pour transporter l'outil électroportatif, pour le tirer ou pour le débrancher. Éloignez le cordon de la chaleur, des huiles, des arêtes coupantes ou des pièces mobiles. Les cordons abîmés ou emmêlés augmentent les risques de choc électrique.

Si vous utilisez un outil électroportatif à l'extérieur, employez une rallonge conçue pour l'extérieur. Ces rallonges sont faites pour l'extérieur et réduisent le risque de choc électrique.

S'il est absolument nécessaire d'utiliser l'outil électroportatif dans un endroit humide, utilisez une alimentation protégée par un disjoncteur de fuite de terre (GFCI). L'utilisation d'un disjoncteur GFCI réduit les risques de choc électrique.

Sécurité personnelle

Restez concentré, faites attention à ce que vous faites, et servez-vous de votre bon sens lorsque vous utilisez un outil électroportatif. N'employez pas d'outils électroportatifs quand vous êtes fatigué ou sous l'emprise de drogues, d'alcool ou de médicaments. Quand on utilise des outils électroportatifs, il suffit d'un moment d'inattention pour causer des blessures corporelles graves.

Utilisez des équipements de sécurité personnelle. Portez toujours une protection oculaire. Le port d'équipements de sécurité tels que des masques antipoussières, des chaussures de sécurité antidérapantes, des casques de chantier et des protecteurs d'oreilles dans des conditions appropriées réduira le risque de blessure corporelle.

Évitez les démarrages intempestifs. Assurez-vous que l'interrupteur est dans la position arrêt (Off) avant de brancher l'outil dans une prise de courant et/ou un bloc-piles, de le ramasser ou de le transporter. Le transport d'un outil électroportatif avec le doigt sur la gâchette ou le branchement de cet outil quand l'interrupteur est en position de marche (ON) est une invite aux accidents.

Enlevez toutes les clés de réglage avant de mettre l'outil électroportatif en marche. Si on laisse une clé sur une pièce tournante de l'outil électroportatif, il y a risque de blessure corporelle.

Ne vous penchez pas. Conservez toujours une bonne assise et un bon équilibre. Ceci vous permettra de mieux maîtriser l'outil électroportatif dans des situations inattendues.

Habillez-vous de manière appropriée. Ne portez pas de vêtements amples ou de bijoux. Attachez les cheveux longs. N'approchez pas les cheveux, les vêtements ou les gants des pièces en mouvement. Les vêtements amples, les bijoux ou les cheveux longs risquent d'être happés par les pièces en mouvement.

Si l'outil est muni de dispositifs permettant le raccordement d'un système d'aspiration et de collecte des poussières, assurez-vous que ces dispositifs sont raccordés et utilisés correctement. L'utilisation d'un dépoussiéreur peut réduire les dangers associés à l'accumulation de poussière.





Utilisation et entretien des outils électroportatifs

Ne forcez pas sur l'outil électroportatif. Utilisez l'outil électroportatif qui convient à la tâche à effectuer. L'outil qui convient à la tâche fait un meilleur travail et est plus sûr à la vitesse pour lequel il a été conçu.

Ne vous servez pas de l'outil électroportatif si son interrupteur ne parvient pas à le mettre en marche ou à l'arrêter. Tout outil électroportatif qui ne peut pas être commandé par son interrupteur est dangereux et doit être réparé.

Débranchez la fiche de la prise ou enlevez le bloc-pile de l'outil électroportatif avant tout réglage, changement d'accessoires ou avant de ranger l'outil électroportatif. De telles mesures de sécurité préventive réduisent le risque de démarrage intempestif de l'outil électroportatif.

Rangez les outils électroportatifs dont vous ne vous servez pas hors de portée des enfants et ne permettez pas à des personnes qui ne connaissent pas l'outil électroportatif ou qui ignorent ces consignes de s'en servir. Les outils électroportatifs sont dangereux dans les mains d'utilisateurs inexpérimentés.

Entretenez les outils électroportatifs. Vérifiez que les pièces mobiles sont alignées correctement et ne

coincident pas. Vérifiez qu'il n'y a pas de pièces cassées ou d'autre circonstance qui risquent d'affecter le fonctionnement de l'outil électroportatif. Si l'outil est abîmé, faites-le réparer avant de l'utiliser. De nombreux accidents sont causés par des outils électroportatifs mal entretenus.

Maintenez les outils coupants affûtés et propres. Les outils coupants entretenus correctement et dotés de bords tranchants affûtés sont moins susceptibles de coincer et sont plus faciles à maîtriser.

Utilisez l'outil électroportatif, les accessoires et les embouts d'outil, etc. conformément à ces instructions, en tenant compte des conditions de travail et des travaux à réaliser. L'emploi d'outils électroportatifs pour des tâches différentes de celles pour lesquelles ils ont été prévus peut résulter en une situation dangereuse.

Entretien

Faites réparer votre outil électroportatif par un agent de service qualifié n'utilisant que des pièces de rechange identiques. Ceci assure que la sécurité de l'outil électroportatif est préservée.

Règles de sécurité concernant les toupies

Tenez l'outil électroportatif par ses surfaces de préhension isolées parce que l'accessoire de coupe risque d'entrer en contact avec un fil caché. Tout contact de l'accessoire de coupe avec un fil sous tension risque de mettre aussi sous tension les parties métalliques exposées de l'outil électroportatif, ce qui pourrait causer un choc électrique pour l'opérateur.

Utilisez des brides ou d'autres moyens pratiques de brider ou de supporter la pièce sur une plate-forme stable. Tenir la pièce à la main ou contre le corps la rend instable et risque de résulter en une perte de contrôle.

Il ne faut pas percer, assujettir ou casser des murs ou d'autres structures sans visibilité à l'intérieur desquels des fils électriques peuvent se trouver. S'il n'est pas possible d'éviter une telle situation, déconnectez tous les fusibles ou disjoncteurs des circuits alimentant ce lieu de travail.

Assurez-vous toujours que la surface de travail est exempte de clous et autres objets étrangers. La coupe dans un clou peut faire sauter la lame et l'outil, et ainsi abîmer la lame.

Ne tenez jamais le matériau d'une main et l'outil de l'autre lorsque vous en faites usage. Ne placez jamais les mains sous la surface de coupe ou à proximité de celle-ci. Il est plus sûr de cramponner le matériau et de guider l'outil des deux mains.

Ne posez jamais le matériau sur des surfaces dures telles que le béton, la pierre, etc. ... La lame de coupe en saillie peut faire sauter l'outil.

Portez toujours des lunettes de sécurité et un masque anti-poussières. N'utilisez l'outil qu'à un endroit bien aéré. L'utilisation de dispositifs de sécurité personnelle et le travail dans un environnement sûr réduisent les risques de blessures.

Après avoir changé les lames ou effectué quelque réglage que ce soit, assurez-vous que l'écrou de la douille et tout autre dispositif de réglage sont bien serrés. Un dispositif de réglage lâche peut bouger soudainement et causer ainsi une perte de contrôle avec projection violente des composants en rotation.

Ne mettez jamais l'outil en marche alors que la lame est enfoncée dans le matériau. Le tranchant de la lame peut se coincer dans le matériau et vous faire perdre le contrôle du couteau.

Tenez toujours l'outil des deux mains durant la mise en marche. Le couple de réaction du moteur peut faire tordre l'outil.

Le sens d'introduction de la lame dans le matériau est très important, et il est lié au sens d'introduction de la lame. Lorsque vous regardez l'outil depuis le dessus, la lame tourne en sens horaire. Le sens d'introduction du couteau doit être anti-horaire.





REMARQUE : Les coupes intérieures et extérieures nécessiteront des sens de déplacement différents - référez-vous à la section consacrée au sens de déplacement de la toupie. Si l'outil est introduit dans le mauvais sens, le tranchant de la lame peut sortir du matériau et tirer l'outil dans le sens de cette introduction.

N'utilisez jamais de lames émoussées ou abîmées. Les lames affilées doivent être maniées soigneusement. Les mèches abîmées peuvent se rompre brusquement durant l'usage. Les lames émoussées nécessitent plus de force pour pousser l'outil, causant éventuellement un bris de la lame.

Ne touchez jamais la lame durant ou immédiatement après l'usage. Après usage, la lame est trop chaude pour être touchée à main nue.

Ne posez jamais l'outil avant que le moteur ne se soit arrêté complètement. La lame en rotation peut saisir la surface et vous faire perdre le contrôle de l'outil.

N'utilisez jamais des fers dont le diamètre de coupe est supérieur à celui de l'ouverture pratiquée dans la base.

La vitesse nominale de l'accessoire doit être au moins égale à la vitesse maximum indiquée sur l'outil électroportatif. Les accessoires que l'on fait tourner à une vitesse supérieure à leur VITESSE NOMINALE peuvent se casser et voler en éclats.

Avertissements supplémentaires concernant la sécurité

L'emploi d'un GFCI et de dispositifs de protection personnelle tels que gants et chaussures d'électricien en caoutchouc améliorent votre sécurité personnelle.

N'utilisez pas un outil conçu uniquement pour le C.A. sur une alimentation en C.C. Même si l'outil semble fonctionner, les composants électriques d'un outil prévu pour le C.A. tomberont probablement en panne et risquent de créer un danger pour l'utilisateur.

Maintenez les poignées sèches et exemptes d'huile et de graisse. On ne peut maîtriser un outil électroportatif en toute sécurité quand on a les mains glissantes.

Utilisez des brides ou d'autres moyens pratiques de brider ou de supporter la pièce sur une plate-forme stable. Tenir la pièce à la main ou contre le corps est instable et risque de résulter en une perte de contrôle.

Créez un agenda d'entretien périodique pour votre outil. Quand vous nettoyez un outil, faites attention de n'en démonter aucune pièce car il est toujours possible de mal remonter ou de pincer les fils internes ou de remonter incorrectement les ressorts de rappel des capots de protection. Certains agents de nettoyage tels que l'essence, le tétrachlorure de carbone, l'ammoniaque, etc. risquent d'abîmer les plastiques.

Risque de blessure pour l'utilisateur. Le cordon d'alimentation électrique ne doit être réparé que par un Centre de service usine de Bosch ou par une Station service agréée de Bosch.

⚠ AVERTISSEMENT

Les travaux à la machine tel que ponçage, sciage, meulage, perçage et autres travaux du bâtiment peuvent créer des poussières contenant des produits chimiques qui sont des causes reconnues de cancer, de malformation congénitale ou d'autres problèmes reproductifs. Ces produits chimiques sont, par exemple :

- Le plomb provenant des peintures à base de plomb,
- Les cristaux de silices provenant des briques et du ciment et d'autres produits de maçonnerie, et
- L'arsenic et le chrome provenant des bois traités chimiquement.

Le niveau de risque dû à cette exposition varie avec la fréquence de ces types de travaux. Pour réduire l'exposition à ces produits chimiques, il faut travailler dans un lieu bien ventilé et porter un équipement de sécurité approprié tel que certains masques à poussière conçus spécialement pour filtrer les particules microscopiques.





Consignes de sécurité pour table de toupillage

Veillez lire et comprendre le mode d'emploi de votre machine et les instructions d'utilisation de cette table avec votre défonceuse. Si vous ne respectez pas toutes les consignes qui suivent, vous risquez des blessures corporelles graves.

Débranchez la machine avant de déployer la table, de faire des réglages ou de changer de fer. Tout démarrage intempestif de la machine risque de causer des blessures.

Assemblez complètement et serrez tous les éléments de fixation de cette table et ceux requis pour y monter la défonceuse. N'oubliez pas également de contrôler périodiquement le pied pour vous assurer qu'il est toujours serré. Desserré, il serait instable et risquerait de bouger pendant l'utilisation, ce qui pourrait causer des blessures graves.

Avant toute utilisation, assurez-vous que l'unité est entièrement positionnée sur une surface ferme, plate et de niveau. Il y a risque de blessures graves si la machine est instable et bascule.

Ne montez jamais sur la table et ne vous en servez jamais comme échelle ou échafaudage. Il y a risque de blessure grave si la table bascule ou si vous touchez accidentellement le fer. Ne stockez pas de matériaux sur la table ou à proximité de celle-ci de telle sorte qu'il serait nécessaire de grimper sur la table ou sur son pied pour les atteindre.

N'utilisez jamais de fer émoussé ou abîmé. Manipulez les fers aiguisés avec précaution. Les fers abîmés risquent de casser pendant l'utilisation. Les fers émoussés nécessitent qu'on pousse plus fort sur la pièce ce qui risque de les briser.

Utilisez le fer et la vitesse qui conviennent à la tâche à effectuer. N'utilisez pas de fer dont le diamètre est supérieur à la capacité de la machine. Il y a risque de blessure grave ou de panne de la machine si celle-ci est surchargée.

Ne démarrez jamais la machine avec le fer en contact avec la pièce. Le tranchant du fer risque de happer la pièce, et vous pourriez en perdre le contrôle.

Les fers de défonceuse sont conçus exclusivement pour le bois, les produits à base de bois et les plastiques. Vérifiez que la pièce ne contient aucun clou etc. avant de toupiller. Si on coupe un clou ou similaire, les pastilles carbure risquent de se déloger, d'être projetées vers l'utilisateur et de le frapper ou de frapper un tiers.

Poussez la pièce contre le sens de rotation du fer. Le fer tourne en sens anti-horaire vu du dessus de la table. Si on pousse la pièce dans le mauvais sens, elle risque d'être happée par le fer, ce qui peut résulter en une perte de contrôle pendant le toupillage.

N'approchez jamais les mains du fer en rotation. Utilisez des baguettes pour pousser la pièce, des planches en éventail montées horizontalement ou verticalement (planches à ressort) ou d'autres montages pour la tenir afin de maintenir vos mains à distance du fer en rotation. Lors du toupillage le fer ne dépasse pas de la planche mais il dépasse quand même de la table et il est important de toujours connaître la position de vos mains par rapport au fer en rotation.

Nous vous conseillons de ne pas toupiller de pièces déformées, tordues ou autrement instables. Si vous ne pouvez pas faire autrement, toupillez toujours la pièce avec le côté concave tourné vers le bas (contre la table). Si on toupille avec le côté concave tourné vers le haut (opposé à la table), la pièce déformée ou tordue risque de rouler et de causer une perte de contrôle. Il y a risque de rebond et de blessures corporelles graves.

Utilisez le guide réglable pour les toupillages droits. Lors du toupillage le long d'un chant d'une pièce, le guide et le coin de support réglables permettent de stabiliser la pièce.

Seuls les fers pilotés peuvent être utilisés sans le guide. Ils s'utilisent pour toupiller des contours extérieurs et intérieurs sur la pièce. Le roulement du fer piloté aide à maintenir le contrôle de la pièce.

Après avoir changé de fer ou effectué un réglage, assurez-vous que l'écrou de douille et tous les systèmes de réglages sont fermement serrés. Desserré, un système de réglage risque de bouger de manière inattendue, résultant en une perte de contrôle. Quant aux pièces tournantes desserrées, elles risquent d'être violemment éjectées.














Ne touchez jamais le fer pendant l'utilisation ou immédiatement après. Vous vous blesseriez si vous touchiez un fer en rotation. Après usage, le fer est trop chaud pour pouvoir le toucher à main nue.

Utilisez exclusivement des pièces de rechange Bosch. Toute autre pièce risque de présenter un danger.



Symboles

IMPORTANT : Certains des symboles suivants peuvent être utilisés sur votre outil. Veuillez les étudier et apprendre leur signification. Une interprétation appropriée de ces symboles vous permettra d'utiliser l'outil de façon plus efficace et plus sûre.

Symbole	Nom	Désignation/Explication
V	Volts	Tension (potentielle)
A	Ampères	Courant
Hz	Hertz	Fréquence (cycles par seconde)
W	Watt	Puissance
kg	Kilogrammes	Poids
min	Minutes	Temps
s	Secondes	Temps
	Diamètre	Taille des mèches de perceuse, meules, etc.
n_0	Vitesse à vide	Vitesse de rotation, à vide
n	Vitesse nominale	Vitesse maximum pouvant être atteinte
.../min	Tours ou mouvement alternatif par minute	Tours, coups, vitesse en surface, orbites, etc., par minute
0	Position d'arrêt	Vitesse zéro, couple zéro ...
1, 2, 3, ... I, II, III, ...	Réglages du sélecteur	Réglages de vitesse, de couple ou de position. Un nombre plus élevé signifie une vitesse plus grande
	Sélecteur variable à l'infini avec arrêt	La vitesse augmente depuis le réglage 0
	Flèche	Action dans la direction de la flèche
	Courant alternatif	Type ou caractéristique du courant
	Courant continu	Type ou caractéristique du courant
	Courant alternatif ou continu	Type ou caractéristique du courant
	Construction classe II	Désigne des outils construits avec double isolation
	Borne de terre	Borne de mise à la terre
	Symbole d'avertissement	Alerte l'utilisateur aux messages d'avertissement.
	Sceau Li-ion RBRC	Désigne le programme de recyclage des piles Li-ion.
	Sceau Ni-Cad RBRC	Désigne le programme de recyclage des piles Ni-Cad.
	Symbole de lecture du mode d'emploi d'emploi	Alerte l'utilisateur pour lire le mode
	Symbole de port de lunettes de sécurité de sécurité	Alerte l'utilisateur pour porter des lunettes

Symboles (suite)

IMPORTANT : Certains des symboles suivants peuvent être utilisés sur votre outil. Veuillez les étudier et apprendre leur signification. Une interprétation appropriée de ces symboles vous permettra d'utiliser l'outil de façon plus efficace et plus sûre.



Ce symbole signifie que cet outil est approuvé par Underwriters Laboratories.



Ce symbole indique que cet outil est reconnu par Underwriters Laboratories.



Ce symbole signifie que cet outil est approuvé par Underwriters Laboratories selon les normes des États-Unis et du Canada.



Ce symbole signifie que cet outil est approuvé par l'Association canadienne de normalisation.



Ce symbole signifie que cet outil est approuvé par l'Association canadienne de normalisation selon les normes des États-Unis et du Canada.



Ce symbole signifie que cet outil est approuvé par Intertek Testing Services selon les normes des États-Unis et du Canada.



Ce symbole signifie que cet outil se conforme aux normes mexicaines NOM.

Description fonctionnelle et spécifications

⚠ AVERTISSEMENT Débranchez la fiche de la prise de courant avant d'effectuer quelque assemblage ou réglage que ce soit ou de changer les accessoires. Ces mesures de sécurité préventive réduisent le risque d'une mise en marche accidentelle de l'outil.

Toupies

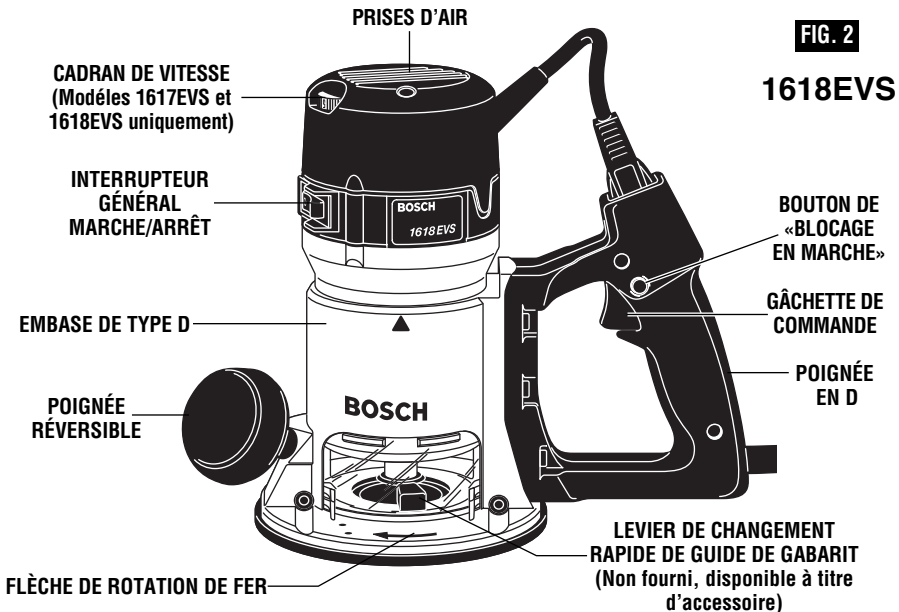
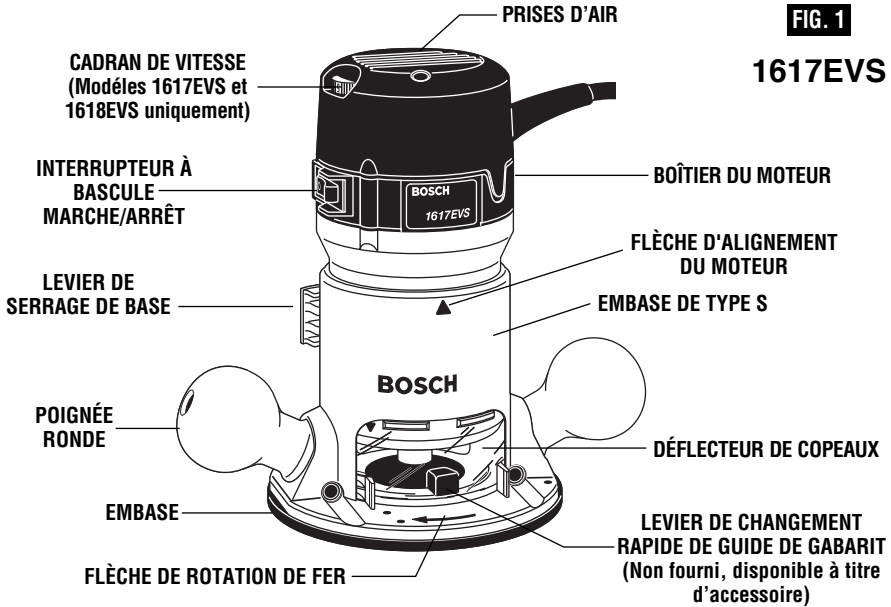
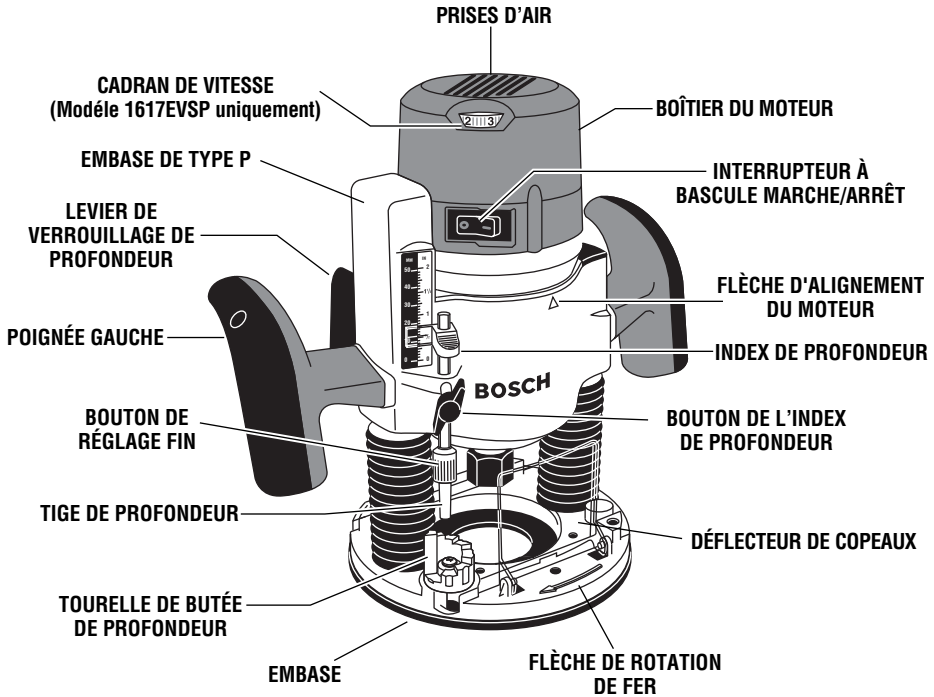


FIG. 3

1617EVSPK



Capacités de la douille 1/4", 3/8", 1/2", 8mm

REMARQUE : Pour spécifications de l'outil, reportez-vous à la plaque signalétique de votre outil.

L'embase RA1161 pour défonceuse d'atelier à embase fixe marquée type 'S' est conçue pour fonctionner avec ces moteurs de défonceuse :

- No 1617 : Moteur de défonceuse (16171)
- No 1617EVS : Moteur de défonceuse (16176)
- No 1618EVS : Moteur de défonceuse (16186)

L'embase de défonceuse à poignée en 'D' RA1162 marquée type 'D' est conçue pour fonctionner uniquement avec ces moteurs de défonceuse :

- No 1618EVS : Moteur de défonceuse (16186)

L'embase de défonceuse en plongée RA1166 marquée type 'P' est conçue pour fonctionner avec ces moteurs de défonceuse :

- No 1617 : Moteur de défonceuse (16171)
- No 1617EVS : Moteur de défonceuse (16176)
- No 1618EVS : Moteur de défonceuse (16186)

Assemblage

CHOIX DE FERS

Un large assortiment de fers de défonceuse avec des profils variés est disponible séparément. Utilisez une queue de 1/2 po si possible, et n'utilisez que des fers de bonne qualité.

⚠ AVERTISSEMENT Pour éviter le risque de blessure, débranchez toujours le cordon de la source d'alimentation avant de substituer les fers ou autres accessoires.

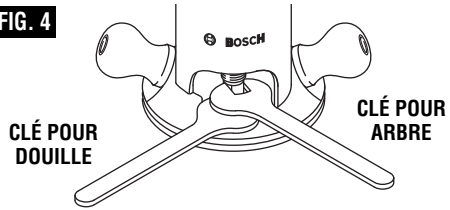
POSE D'UN FER DE TOUPIE

Posez la défonceuse à l'envers ou sur son côté avec l'embase reposant sur l'établi. Il est également possible d'enlever le moteur de l'embase avant de monter le fer.

1. Enlevez le pare-copeaux (ou pivotez-le vers le haut si vous utilisez embase plongeante).
2. Tenez l'arbre d'induit en place à l'aide de la clé pour arbre (Fig. 4).
3. Utilisez ensuite la clé pour douille pour desserrer l'ensemble mandrin-douille en sens anti-horaire (quand on le regarde depuis le dessous de la toupie).
4. Après vous être assuré que la tige du fer a le diamètre approprié pour la douille à utiliser, insérez la tige du fer de toupie dans l'ensemble mandrin-douille aussi loin que possible, puis reculez la tige vers l'extérieur jusqu'à ce que les couteaux soient à environ entre 3 mm - 6 mm de la face de l'écrou de douille.
5. Une fois le fer inséré et la clé pour arbre tenant l'arbre d'induit, serrez fermement l'ensemble mandrin-douille en sens horaire (quand on le regarde depuis le dessous de la toupie) à l'aide de la clé pour douille.

Pour serrer ou desserrer l'écrou de fixation de la douille, saisissez les deux clés d'une main et comprimez-les.

FIG. 4



Pour serrer ou desserrer l'écrou de fixation de la douille, saisissez les deux clés d'une main et comprimez-les.

⚠ AVERTISSEMENT Si le guide de gabarit est enlevé de l'embase, n'utilisez pas de fers de défonceuse d'un diamètre supérieur à 2 po car ils ne passeraient pas par le trou de la sous-embase.

⚠ AVERTISSEMENT Le diamètre du tranchant doit être d'au moins 1/4 po inférieur à celui de l'ouverture pour le fer et le tranchant.

⚠ MISE EN GARDE Pour éviter d'endommager l'outil, ne serrez pas l'écrou de douille en l'absence du fer.

REMARQUE : La tige du fer et le mandrin doivent être propres et exempts de poussière, de bois, de résidus et de graisse avant l'assemblage.

DÉPOSE DU FER

1. Au moyen des clés pour arbre et mandrin-douille mentionnées précédemment, tournez l'ensemble mandrin-douille en sens anti-horaire.
2. Quand l'ensemble mandrin-douille est desserré, continuez à le tourner jusqu'à ce que la douille se dégage du cône et que vous puissiez retirer le fer.

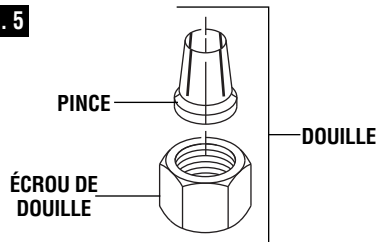
REMARQUE : L'extraction de l'ensemble mandrin-douille s'accomplit sans effort ; il n'est PAS nécessaire de frapper le mandrin pour déloger le fer.

SOINS DE L'ENSEMBLE MANDRIN-DOUILLE

Quand le fer est enlevé, continuez à tourner l'ensemble mandrin-douille en sens anti-horaire jusqu'à ce qu'il se détache de l'arbre. Pour assurer un serrage adéquat, nettoyez occasionnellement l'ensemble à l'air comprimé, et nettoyez le cône de l'arbre d'induit avec un chiffon ou une brosse douce. Comme le montre l'illustration (Fig. 5), l'ensemble mandrin-douille est constitué de trois éléments. Assurez-vous que la douille est calée adéquatement dans l'écrou de l'ensemble mandrin-douille et vissez légèrement le mandrin-douille en place sur l'arbre

d'induit. Remplacez les ensembles mandrin-douille usés ou endommagés immédiatement.

FIG. 5



DÉMONTAGE DU MOTEUR DE L'EMBASE (Fig. 6)

Pour démonter le moteur des embases non plongeantes :

1. Tenez la défonceuse à l'horizontale, desserrez le levier de bridage de l'embase, enfoncez le levier de réglage grossier de la profondeur et tirez le moteur vers le haut jusqu'à ce qu'il bute.
2. Tournez le moteur en sens anti-horaire et retirez-le doucement de l'embase en tirant.

Pour enlever le moteur de l'embase plongeante : (Fig. 7)

1. Tenez la défonceuse à l'horizontale, desserrez le levier de bridage de l'embase et tirez le moteur vers le haut jusqu'à ce qu'il bute.
2. Tournez le moteur en sens anti-horaire et retirez-le doucement de l'embase en tirant.

MONTAGE DU MOTEUR SUR UNE EMBASE

Le moteur peut être monté avec l'interrupteur positionné à droite ou à gauche de l'embase vue du côté de l'utilisateur (et avec le cordon dirigé vers l'autre côté de la défonceuse). Installez le moteur de manière à ce que l'interrupteur soit dans la position que vous trouvez la plus facile d'accès depuis les poignées. L'interrupteur doit être positionné pour privilégier l'arrêt en cas d'urgence plutôt que la marche.

Pour installer le moteur dans une embase non plongeante :

1. Desserrez le levier de bridage de l'embase.
2. Placez la flèche de l'embase en face de celle du moteur. (Fig. 8)

- Pour positionner l'interrupteur du côté droit de l'embase, mettez la flèche de l'embase en face de celle du boîtier du moteur qui se trouve sous le cordon.

- Pour positionner l'interrupteur à gauche, mettez la flèche de l'embase en face de celle du boîtier du moteur qui se trouve sous l'interrupteur.

3. Tout en appuyant sur le levier de réglage grossier, enfoncez le moteur dans l'embase jusqu'à ce que vous sentiez une résistance. (Le pied de guidage de l'embase pénètre maintenant dans la fente du moteur.)
4. Tout en continuant d'appuyer sur le levier de réglage grossier, tournez le moteur en sens horaire jusqu'à ce qu'il bute.
5. Enfoncez le moteur dans l'embase jusqu'à ce qu'il atteigne approximativement la profondeur désirée.
6. Relâchez le levier de réglage grossier et faites coulisser le moteur vers l'avant ou vers l'arrière jusqu'à ce que loquet du système de réglage grossier s'enclenche dans le cran de réglage grossier.
7. Réglez la profondeur finale comme décrit dans les « instructions d'utilisation ».

Pour installer le moteur dans une embase plongeante :

1. Desserrez le levier de bridage de l'embase.
2. Placez la flèche de l'embase en face de celle du moteur. (Fig. 8)

- Pour positionner l'interrupteur du côté droit de l'embase, mettez la flèche de l'embase en face de celle du boîtier du moteur qui se trouve sous le cordon.

- Pour positionner l'interrupteur à gauche, mettez la flèche de l'embase en face de celle du boîtier du moteur qui se trouve sous l'interrupteur.

3. Enfoncez le moteur dans l'embase jusqu'à ce que vous sentiez une résistance. (Le pied de guidage de l'embase pénètre maintenant dans la fente du moteur.)

4. Tournez le moteur en sens horaire jusqu'à ce qu'il bute.

FIG. 6

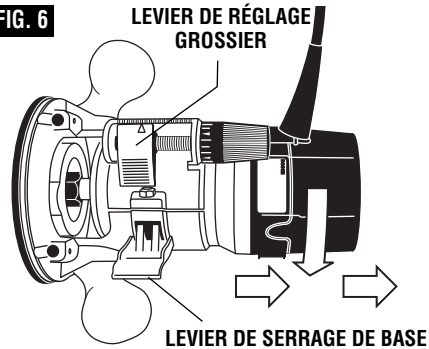


FIG. 7

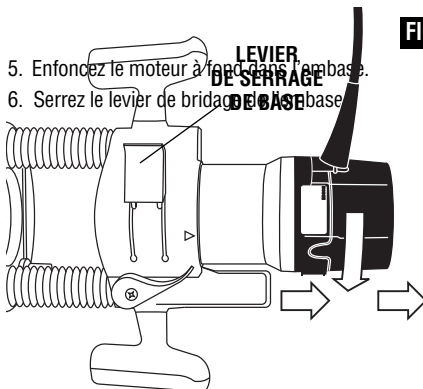
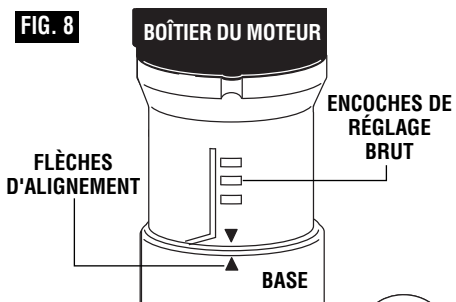


FIG. 8

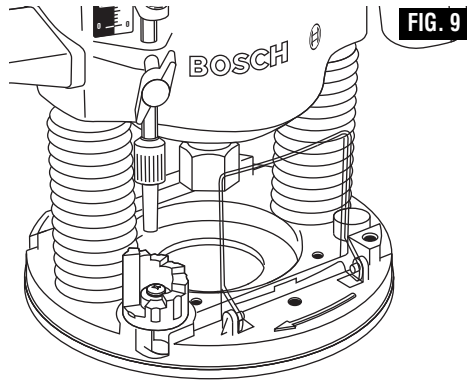


DÉFLECTEUR DE COPEAUX

⚠ AVERTISSEMENT Portez toujours une protection oculaire. Le déflecteur de copeaux n'est pas conçu pour servir de capot de sécurité.

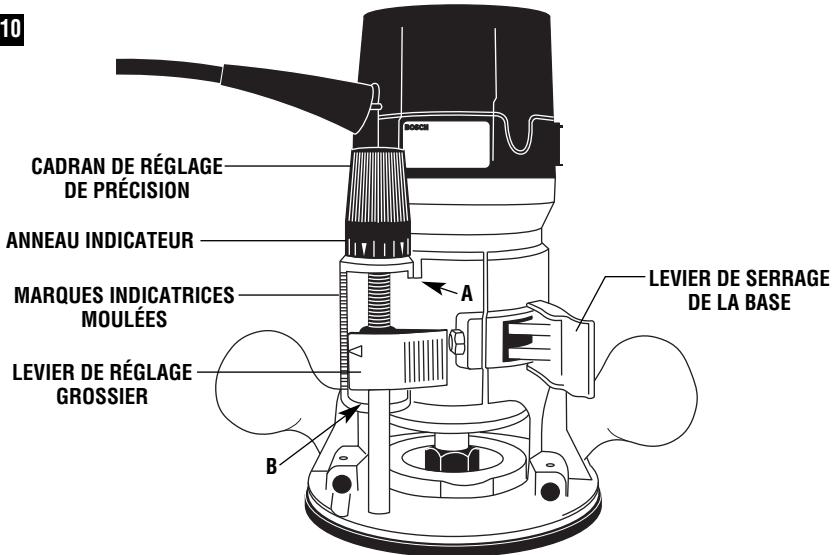
Le déflecteur de copeaux empêche les copeaux et la poussière de vous frapper le visage mais il n'est pas capable d'arrêter des objets plus gros que les copeaux éjectés par le fer.

Pour enlever le pare-copeaux de l'embase, appuyez sur les languettes vers l'intérieur jusqu'à ce que le pare-copeaux soit libéré de l'embase et enlevez ce dernier. Pour le remonter, mettez-le en position comme indiqué à la (Fig. 10), ensuite faites fléchir ses côtés tout en poussant jusqu'à ce que le pare-copeaux s'enclenche à sa place. Le pare-copeaux de l'embase plongeante peut également être écarté en le faisant pivoter.



Consignes de fonctionnement

FIG. 10



Les défonceuses Bosch sont conçues pour faire aisément du travail rapide et précis en ébénisterie, toupillage, moulurage de cannelures, baguettes, anses, usinages de queues d'arondes, etc. Elles vous permettent de faire de la marqueterie, des bordures décoratives et de nombreux types de sculptures spéciales.

RÉGLAGE DE LA PROFONDEUR AVEC EMBASE FIXE

L'embase fixe de la défonceuse RA1161 est munie d'un mécanisme de réglage fin micrométrique variable qui peut être utilisé dans n'importe quelle position et qui permet un réglage extrêmement exact de la position du fer de défonceuse lui apportant ainsi une précision inégalée. Après avoir abaissé l'outil approximativement à la position désirée, utilisez ce mécanisme pour régler

précisément la position finale du fer.

Votre défonceuse est également dotée de trois encoches horizontales situées de chaque côté du boîtier du moteur pour les réglages grossiers. Les encoches sont espacées de 1/2 po ce qui vous permet de rapidement relever ou abaisser l'outil par incréments de 1/2 po (environ 12,7 mm). Il suffit pour cela d'appuyer sur le levier de déverrouillage du réglage grossier.

POUR RÉGLER LA PROFONDEUR

REMARQUE : tous les réglages de profondeur doivent être effectués avec le levier de bridage de l'embase déverrouillé.

1. Tenez l'outil en position horizontale avec le levier de bridage de l'embase vous faisant face.

2. Ouvrez le levier de bridage de l'embase pour libérer le moteur.

3. RÉGLAGE GROSSIER :

Pour effectuer un réglage grossier important, appuyez sur le levier de déverrouillage du réglage grossier et relevez ou abaissez le moteur pour le mettre à la profondeur désirée. Le boîtier du moteur est muni de trois encoches espacées de 1/2 po pour faciliter ce réglage.

4. RÉGLAGE FIN DE LA PROFONDEUR :

Pour effectuer un réglage fin, tournez le bouton de réglage fin en sens horaire pour abaisser le fer de défonceuse ou en sens inverse pour le relever.

REMARQUE : Assurez-vous que le levier de réglage grossier est enclenché dans une des encoches de réglage grossier avant d'effectuer un réglage fin.

Pour permettre des réglages fins précis, la bague de repérage est graduée à la fois en pouces et en millimètres (Remarque : un tour complet du bouton de réglage fin vaut 1/16 po ou environ 1,5 mm). Le mécanisme de réglage fin a une plage de réglage totale de 7/8 po (23 mm). Chacun des repères moulés près du levier de réglage grossier correspond à 1/8 po.

Afin de ne pas abîmer l'outil, évitez de coincer le levier de réglage grossier contre la partie supérieure A ou la partie inférieure B du boîtier comme indiqué à la figure 10.

5. Après avoir effectué les réglages de profondeur, bridez le moteur.

La bague de repérage peut être remise à zéro sans bouger le bouton de réglage fin, ce qui permet à l'utilisateur de commencer le réglage à partir de n'importe quelle position de référence.

Lorsque la défonceuse est installée sur une table de défonceuse, elle peut être ajustée à l'aide d'une clé à six pans de 1/8 po, qui n'est pas incluse avec tous les modèles. (Voir page 44)

La rallonge de commande de réglage fin RA1002 (accessoire en option pour les embases fixes (non-plongeantes)) permet de faire des réglages fins d'une position dégagée au-dessus du boîtier du moteur. Pour l'installer, il suffit d'emmancher la RA1002 sur l'extrémité du bouton de réglage fin de l'embase (Fig. 11)

POUR BRIDER LE MOTEUR

Après avoir terminé les réglages grossiers et fins, serrez le levier de bridage de l'embase pour fixer les réglages. Si on désire augmenter la force de bridage: à l'aide d'une clé de 10 mm, tournez LÉGÈREMENT l'écrin de bridage en sens horaire (d'1/8 de tour ou moins), ensuite essayez de brider. Ne serrez pas trop fort.

USINAGES PROFONDS

Pour faire des usinages profonds, commencez à une profondeur moindre et faites plusieurs passes successives en augmentant la profondeur à chaque fois.

Pour vous assurer que vos réglages de profondeur sont corrects, vous pouvez faire des essais sur des chutes avant de commencer l'usinage.

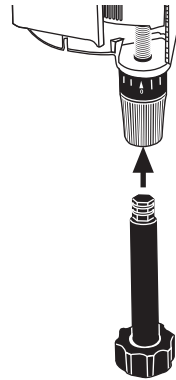


FIG. 11

RÉGLAGES DE PROFONDEUR AVEC UNE EMBASE PLONGEANTE MOUVEMENT DE PLONGÉE

Le mouvement de plongée simplifie les réglages de profondeur et permet au fer de pénétrer facilement et précisément dans la pièce. Pour abaisser la machine, poussez le levier de verrouillage de profondeur vers la gauche, appuyez vers le bas jusqu'à ce que la profondeur désirée soit atteinte, et relâchez le levier pour verrouiller la machine (Fig. 12). Le levier de verrouillage de profondeur est rappelé par ressort et retourne automatiquement à la position de verrouillage. Pour relever la machine, poussez le levier de verrouillage vers la gauche, relâchez la pression sur la défonceuse et celle-ci soulèvera automatiquement le fer de la pièce. Il est conseillé de toujours remonter le fer quand il n'est pas en train d'usiner la pièce.

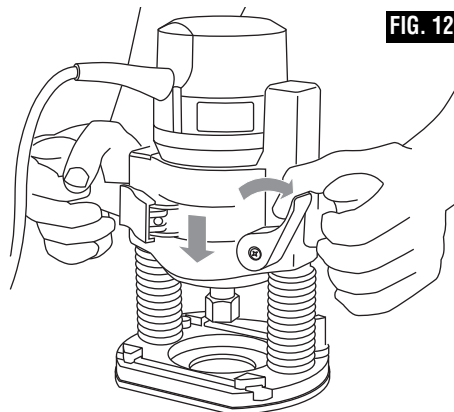


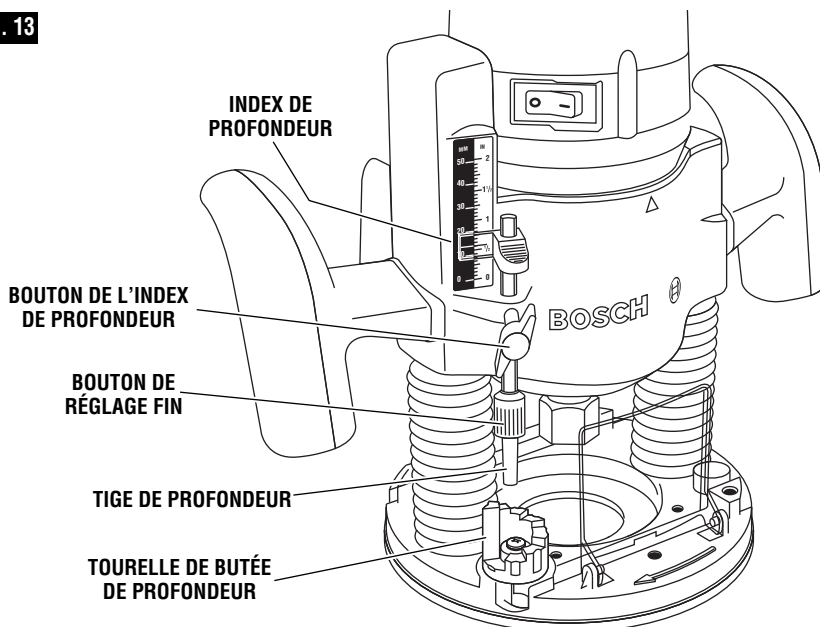
FIG. 12

TIGE ET TOURELLE DE PROFONDEUR

La tige de profondeur et la tourelle de butée de profondeur sont utilisées pour régler la profondeur de coupe comme suit :

1. Avec le fer monté, abaissez doucement le moteur jusqu'à ce que le bout du fer affleure juste la surface plane sur laquelle repose la défonceuse. Ceci constitue la position zéro à partir de laquelle on peut effectuer des réglages précis de profondeur.
2. Pour régler la profondeur de coupe, faites pivoter la tourelle de profondeur jusqu'à ce que sa butée la plus basse soit en face de la tige de profondeur. Desserrez le bouton de l'index de profondeur et abaissez la tige de profondeur jusqu'à ce qu'elle
3. touche la butée la plus basse sur la tourelle. Faites coulisser l'index de profondeur jusqu'à ce que le trait rouge marque zéro sur l'échelle de profondeur, ce qui indique le point où le fer affleure juste la surface de travail (Fig. 13).
4. Pour régler la profondeur désirée, faites coulisser la tige de profondeur jusqu'à ce que le trait de l'index indique la profondeur désirée et bloquez la tige en serrant fermement le bouton de l'index de profondeur.
5. La profondeur de coupe désirée peut maintenant être atteinte en enfonçant la défonceuse jusqu'à ce que la tige de profondeur touche la butée choisie sur la tourelle.

FIG. 13



USINAGES PROFONDS

Pour faire des usinages profonds, faites des passes successives de profondeur croissante en commençant avec la butée la plus haute de la tourelle et, après chaque passe, en positionnant la tourelle de profondeur au choix sur des butées progressivement plus basses jusqu'à ce que la profondeur finale (butée la plus basse ou surface plate de la tourelle) soit atteinte. Les butées sont échelonnées en hauteur tous les 1/8 po.

Pour vous assurer que vos réglages de profondeur sont corrects, vous pouvez faire des essais sur des chutes avant de commencer l'usinage.

RÉGLAGE FIN

L'embase plongeante RA1186 est dotée d'un système de réglage fin qui permet de faire un réglage micrométrique de la profondeur de plongée du fer de la

défonceuse, apportant ainsi une grande précision d'usinage.

Chaque tour complet de la molette de réglage fin règle la profondeur de plongée de 1/32 po et chacun des quatre repères sur le bouton représente 1/128 po. Un des quatre repères est plus grand que les autres pour permettre de visualiser un tour complet. Un trait de référence est intégré à la tige de profondeur.

Pour utiliser le bouton de réglage fin, une fois que la tige de profondeur et que la tourelle ont été réglés, vérifiez le réglage final de la profondeur ainsi que le réglage fin comme suit :

Pour augmenter la profondeur de manière micrométrique, relevez la molette de réglage fin en la tournant en sens anti-horaire de la valeur désirée.



Pour diminuer la profondeur de manière micrométrique, abaissez la molette de réglage fin en la tournant en sens horaire de la valeur désirée.

Remarques :

- Quand on effectue un réglage micrométrique de la profondeur de plongée, il est plus facile de déplacer la molette de réglage fin vers le haut que vers le bas. Avant de régler la tige de profondeur et la tourelle, donnez plusieurs tours vers le bas à la molette de réglage fin pour l'éloigner de sa position haute afin d'avoir la possibilité de la régler vers le haut.

- La molette de réglage fin ne peut pas être utilisée pour réduire la profondeur de plongée si la tige de profondeur est déjà en contact avec une butée de la tourelle. Il faut relever la défonceuse avant de pouvoir effectuer ce type de réglage.
- Une autre tourelle avec une butée réglable utilisant une vis M4 pour la butée réglable est également disponible. La butée réglable permet d'effectuer de multiples passes sans avoir besoin de faire un réglage de profondeur fin, même quand la profondeur totale de la coupe n'est pas un multiple de 1/8 po.

INTERRUPTEUR À BASCULE MARCHE/ARRÊT

Votre outil peut être mis en marche ou à l'arrêt à l'aide de l'interrupteur à bascule situé sur le carter du moteur. Un côté de l'interrupteur est marqué « I » pour « ON », et l'autre côté est marqué « O » pour « OFF ». En outre, le bord de l'interrupteur est rouge lorsque l'interrupteur est en position de marche.

POUR METTRE L'OUTIL EN MARCHÉ : Poussez le côté de l'interrupteur marqué « I ».

POUR METTRE L'OUTIL À L'ARRÊT : Poussez le côté de l'interrupteur marqué « O ».

Tenez toujours la toupie hors de l'ouvrage en mettant l'interrupteur en marche ou à l'arrêt. Mettez la toupie en contact avec l'ouvrage après que la toupie ait atteint son régime maximal, et retirez-la de l'ouvrage avant de mettre l'interrupteur à l'arrêt. Le fonctionnement de cette manière prolongera la durée de l'interrupteur et du moteur, et augmentera grandement la qualité de votre travail (Fig. 1).

MARCHE-ARRÊT DE L'OUTIL AVEC INTERRUPTEUR À GÂCHETTE ET BOUTON DE BLOCAGE EN POSITION DE MARCHÉ (Modèle 1618EVS seulement)

L'outil est mis sous tension par l'interrupteur à bascule situé sur le dessus du carter du moteur comme décrit ci-dessus. Votre outil peut maintenant être mis en marche ou à l'arrêt en pressant ou en relâchant la gâchette. Votre outil est également pourvu d'un bouton de blocage en marche situé tout juste au-dessus de la gâchette qui permet le fonctionnement continu sans devoir tenir la gâchette (Fig. 2).

POUR BLOQUER L'INTERRUPTEUR EN MARCHÉ : Appuyez sur la gâchette, appuyez sur le bouton et relâchez la gâchette.

POUR DÉBLOQUER L'INTERRUPTEUR : Appuyez sur la gâchette et relâchez-la sans devoir appuyer sur le bouton de blocage en marche.

⚠ AVERTISSEMENT Le relâchement de la gâchette est impossible si le bouton de blocage en marche est maintenu enfoncé.

Sur le modèle 1617, tenez l'outil des deux mains tout en mettant l'outil en marche, car le couple du moteur peut

faire tordre l'outil.

DEPART EN DOUCEUR

(Modèles 1617EVS et 1618EVS uniquement)

Un système d'asservissement électronique minimise le contrecoup du couple de démarrage (un défaut habituel des défonceuses puissantes) en limitant la vitesse de démarrage du moteur.

VARIATEUR ÉLECTRONIQUE DE VITESSE

(Modèles 1617EVS et 1618EVS uniquement)

Le variateur électronique de vitesse permet de régler le régime du moteur en fonction de la taille du couteau et la dureté du matériau pour améliorer la qualité de la finition, prolonger la durée du fer et assurer un meilleur rendement. On change la vitesse en tournant le cadran à DROITE pour l'augmenter, à GAUCHE pour la diminuer, comme il est indiqué sur le carter (fig. 1). De même, on peut changer la vitesse pendant que l'outil est en marche. Les repères du cadran facilitent le réglage à la vitesse désirée.

Le tableau des vitesses indique le rapport entre la vitesse et le travail à effectuer. La vitesse exacte est à déterminer suivant l'expérience et la préférence de

POSITION DU CADRAN

TR/MIN	APPLICATION
1	} Métaux non-ferreux, fers et couteaux de grands diamètres
2	
3	
4	} Bois tendres, plastiques, plans de travail, couteaux et fers de petit diamètre
5	
6	

l'utilisateur ou selon les recommandations du fabricant du fer.

CIRCUIT CONSTANT RESPONSE™

(Modèles 1617EVS et 1618EVS uniquement)

Le circuit Constant Response™ de la défonceuse contrôle la puissance et la règle pour maintenir la vitesse désirée afin de régulariser la performance de la machine et de rendre celle-ci plus facile à maîtriser.



AVANCE DE LA DÉFONCEUSE

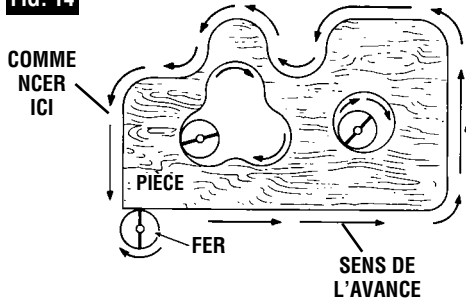
Vu du dessus de la défonceuse, le fer tourne en sens horaire et ses bords tranchants sont conçus pour ce sens de rotation. Ainsi, l'usinage est plus efficace s'il se fait en poussant à l'opposé du sens de rotation du bord tranchant du fer plutôt que dans le même sens. La Figure 14 illustre le sens correct de l'avance pour divers types de toupillage. La vitesse d'avance dépend de la dureté du matériau et de la profondeur de la coupe. Dans certains matériaux, il est préférable de faire plusieurs passes en augmentant la profondeur à chaque fois.

Si la défonceuse est difficile à maîtriser, chauffe, tourne très lentement ou coupe mal, envisagez les causes suivantes :

1. Mauvais sens d'avance – Difficile à maîtriser.
2. Avance trop rapide – Moteur surchargé
3. Fer émoussé – Moteur surchargé
4. Coupe trop profonde pour faire en une seule passe – Moteur surchargé
5. Avance trop lente – Laisse des brûlures dues au frottement du fer sur la pièce.

Faites avancer la machine régulièrement et sans hésitation (ne forcez pas). Vous apprendrez rapidement à reconnaître le fonctionnement optimum de la défonceuse au son qu'elle produit et à son comportement.

FIG. 14



VITESSE D'AVANCE

Lors du toupillage ou de travaux similaires dans le bois et le plastique, la meilleure finition s'obtient en réglant la passe et la vitesse d'avance de manière à laisser le moteur tourner à haute vitesse. Faites avancer la défonceuse à une vitesse modérée. Les matériaux tendres nécessitent une vitesse d'avance plus élevée que les matériaux durs.

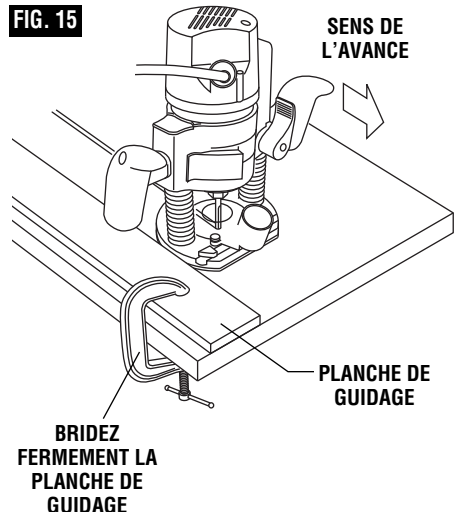
Il se peut que la défonceuse cale si elle est utilisée incorrectement ou si elle est surchargée. Réduisez la vitesse d'avance pour éviter d'abîmer votre machine. Assurez-vous toujours que la douille est serrée fermement avant d'utiliser la machine. Utilisez toujours les fers les plus courts possibles qui produisent la coupe désirée afin de minimiser le battement et les vibrations du fer.

GUIDAGE DE LA DÉFONCEUSE

La défonceuse peut être guidée dans la pièce de plusieurs manières. La méthode que vous utiliserez dépendra bien entendu de la tâche à effectuer et de ce qui semble le plus pratique.

Pour les opérations de toupillage telles que le rainurage en long ou en travers, il est souvent nécessaire de guider la machine parallèlement à un bord droit. Par exemple, on peut effectuer un toupillage droit en bridant fermement une planche ou une règle sur la pièce et en guidant le bord de la sous-embase de la défonceuse le long de ce guide. (Fig. 15)

FIG. 15



RAMASSAGE DES POUSSIÈRES SUR DÉFONCEUSE

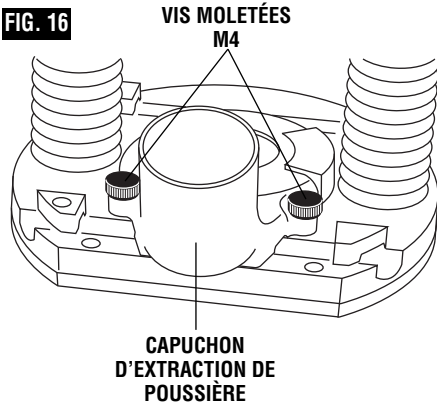
Il y a trois capuchons d'aspiration des poussières (accessoires en option). Chacun de ces capuchons d'aspiration des poussières est dimensionné pour se raccorder à un flexible d'aspiration de 35 mm. Chaque ensemble d'accessoire comprend l'adaptateur VAC002 qui permet de raccorder le capuchon à des flexibles d'aspiration de 1-1/4 po et 1-1/2 po. Un adaptateur pour se raccorder à un flexible de 2-1/2 po est également disponible séparément.

RAMASSAGE DES POUSSIÈRES DE LA DÉFONCEUSE AVEC EMBASE PLONGEANTE

Ce capuchon d'extraction de poussière est conçu pour s'utiliser avec l'embase plongeante (RA1166) quand le toupillage est effectué au milieu de la pièce, comme par exemple lors de l'usinage de rainures ou de profils de marqueterie. Si vous avez un système d'aspiration d'atelier, vous pouvez monter le capuchon d'aspiration de manière à améliorer la visibilité, la précision et l'utilité de l'outil, plus spécialement lors du toupillage à main levée.

Pour monter le capuchon, positionnez-le comme indiqué et fixez l'adaptateur à l'embase à l'aide des vis moletées fournies (Fig. 16).

FIG. 16



Le capuchon d'aspiration des poussières peut également être installé avec son raccord tourné vers l'avant de l'outil. Si l'adaptateur de guidage pour gabarit est installé, il faudra le retourner ou l'enlever pour permettre au levier de déblocage de se loger sous le capuchon.

CAPUCHON D'EXTRACTION DE POUSSIÈRE POUR LE CÔTÉ ARRIÈRE DE LA BASE FIXE

⚠ AVERTISSEMENT Veuillez lire et comprendre ces consignes et le mode d'emploi de la machine avec ces accessoires.

Éloignez-vous de la zone du fer quand la défonceuse est en marche ou branchée.

⚠ MISE EN GARDE Pour empêcher les tuyaux de s'emmêler, n'utilisez pas ce capuchon d'extraction de poussière en même temps qu'un autre capuchon d'extraction de poussière quel qu'il soit.

Ce capuchon d'extraction de poussière est conçu pour les défonceuses Bosch 1617, 1617EVS, 1618EVS et leurs embases fixes pour toupiller au milieu de la pièce, comme par exemple pour rainurer ou toupiller des profils de marqueterie.

Pour fixer le capuchon à l'embase de la défonceuse, glissez le capuchon à l'arrière de l'embase de la défonceuse, autour de la tige de réglage de profondeur de la défonceuse, avec ses coins arrondis tournés vers le haut (Fig. 17 et 18). Serrez fermement les deux vis moletées.

UTILISATION DU CAPUCHON D'EXTRACTION DE POUSSIÈRE

Pour maximiser l'efficacité du ramassage de poussière, assurez-vous que le pare-copeaux de la défonceuse est en place.

FIG. 17

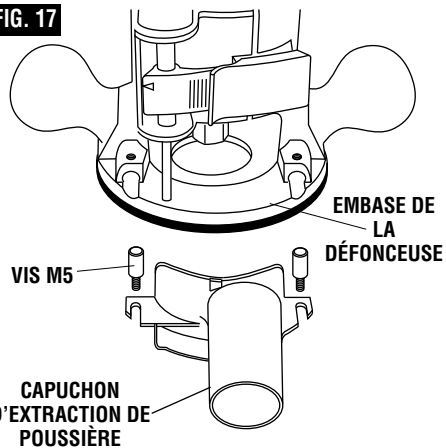
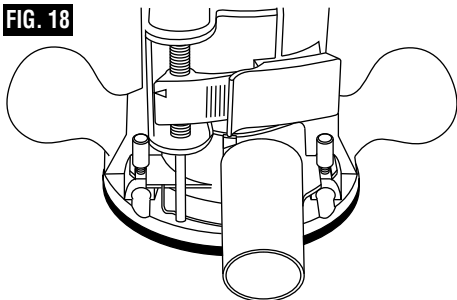


FIG. 18



RAMASSAGE DE POUSSIÈRE LORS DU MOULURAGE DE CHANTS

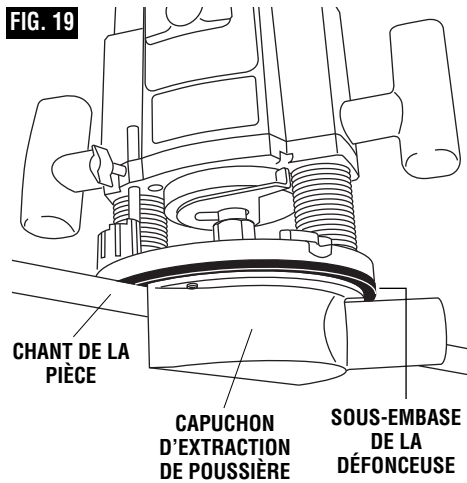
⚠ AVERTISSEMENT Éloignez-vous de la zone du fer tant que la défonceuse est en marche ou branchée. Pour éviter d'emmêler les tuyaux, n'utilisez pas ce capuchon d'extraction en même temps qu'un autre capuchon d'extraction, quel qu'il soit.

Ce capuchon d'extraction de poussière (accessoire en option) est utilisé pour ramasser la poussière produite lors du moulurage de chants (Fig. 19).

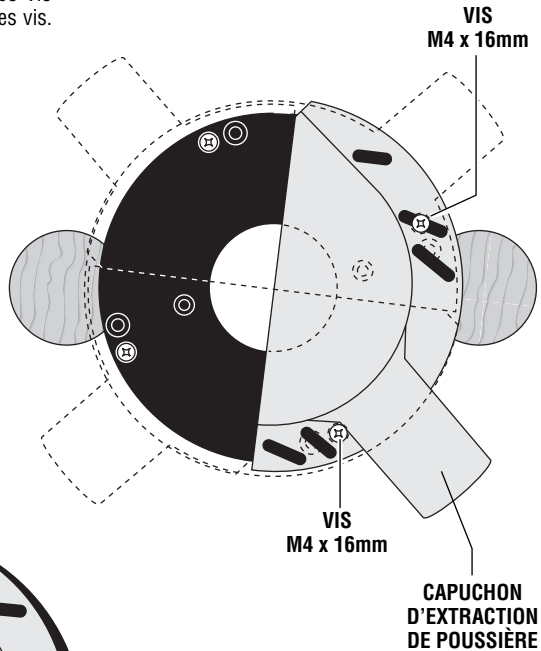
MONTAGE DU CAPUCHON D'ASPIRATION DES POUSSIÈRES

Vous pouvez fixer le capuchon pour toupillage de chants à des emplacements différents suivant vos besoins ou préférences. Ce capuchon est fixé sur deux des trous de vis de l'embase qui servent à monter la sous-embase de la défonceuse. Choisissez l'emplacement désiré pour le capuchon. Desserrez et enlevez les deux vis de l'embase de la défonceuse et fixez le capuchon d'aspiration des poussières – sur la sous-embase de la défonceuse – à l'aide des vis fournies avec le capuchon. Serrez fermement les vis. (Figures 20 et 21).

FIG. 19



**FIG. 21
OTHER BASES**



**FIG. 20
PLUNGE BASE**

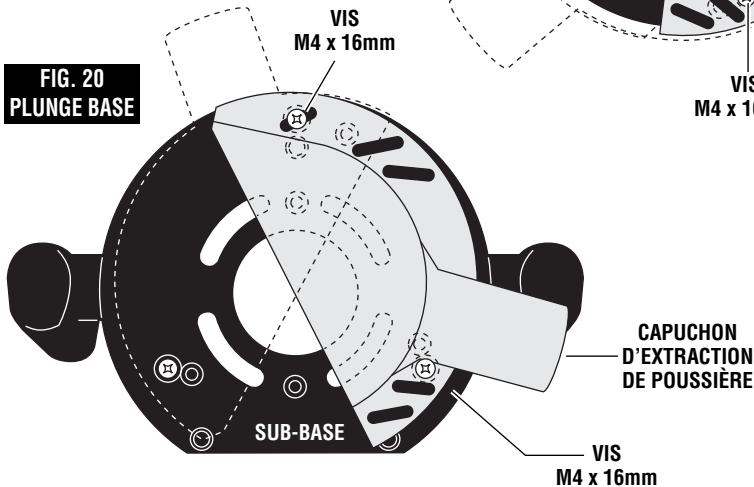
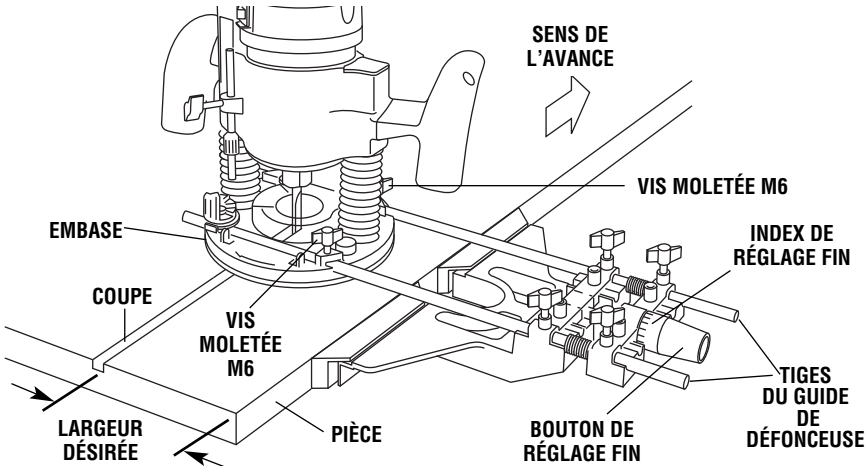


FIG. 22



**GUIDE DE DÉFONCEUSE DE LUXE
(Non compris, disponible en accessoire)**

Le guide de défonceuse de luxe Bosch est un accessoire en option qui guide la défonceuse parallèlement à un chant droit ou qui vous permet de créer des cercles ou des arcs de cercle.

Le guide de défonceuse de luxe est fourni avec deux tiges et des vis pour le fixer (Fig. 22). De plus, il est muni d'un bouton de réglage fin et d'un curseur permettant de positionner précisément le guide par rapport au fer. Une fois le guide installé et réglé, la défonceuse doit être poussée normalement en

maintenant le guide en contact permanent avec le bord de la pièce. Le guide de défonceuse de luxe peut également être placé directement en dessous de l'embase de la défonceuse pour les tâches qui nécessitent de travailler près du bord de la pièce.

Le guide de défonceuse de luxe comprend un capuchon d'aspiration des poussières et l'adaptateur VAC002 pour flexible d'aspiration.

Des consignes complètes d'utilisation et d'installation sont incluses avec cet accessoire. Veuillez vous y référer.

GABARIT DE GUIDAGE

Cette toupie peut également être utilisée avec le système de gabarit de guidage à changement rapide en option, une autre exclusivité Bosch, qui saisit fermement les guides dans un anneau à ressort. À la différence des gabarits de guidage conventionnels, il n'y a pas d'anneau fileté qui risquerait de se détacher pendant le toupillage.

Les gabarits de guidage sont utilisés avec un certain nombre d'accessoires spéciaux, tels que des gabarits pour articulations, qui figurent dans votre catalogue BOSCH. En outre, des gabarits spéciaux sont facilement préparés pour faire des coupes répétitives, pour des motifs spéciaux, des incrustations et d'autres applications. Un modèle de gabarit peut être fabriqué avec du contre-plaqué, du bois dur, du métal ou même du plastique, et ce modèle peut être découpé avec une toupie, une scie cloche ou un autre outil de coupe approprié. Rappelez-vous que le modèle devra être construit de manière à compenser la distance entre la mèche et le gabarit de guidage (le « décalage »), étant donné que la taille de l'ouvrage final sera différente de celle du gabarit par cette valeur, en raison de la position de la mèche (Fig. 24).

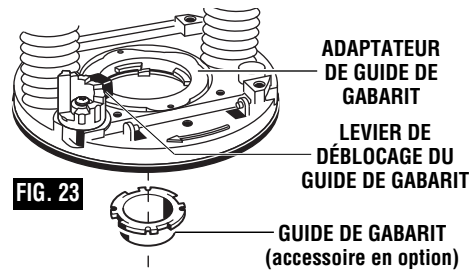


FIG. 23

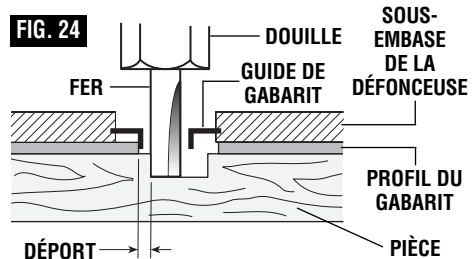


FIG. 24

**POSE DE L'ADAPTATEUR DU GUIDE DE GABARIT
(Non fourni, disponible à titre d'accessoire)**

Placez l'adaptateur du guide de gabarit par-dessus les trous au centre de l'embase, et alignez les deux trous filetés au bas de l'adaptateur sur les trous fraisés de l'embase. Fixez l'adaptateur à l'aide des vis fournies. Il convient de noter que l'adaptateur est réversible, de sorte que le levier de relâchement peut être positionné de la manière désirée. (Fig. 25)

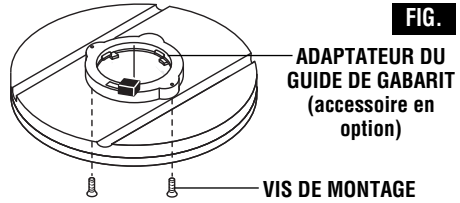


FIG.

**CENTRAGE DU SUPPORT DE LA BASE
OU DES GABARITS DE GUIDAGE**

Votre toupie incorpore le modèle de centrage de précision de Bosch. Le support de sa base est centré de façon précise à l'usine. Ceci permet de positionner la mèche au centre du support de la base et des gabarits de guidage en option.

Le centrage de précision vous permet de vous servir du bord du support de la base ou des gabarits de guidage pour suivre de près des dispositifs de guidage fixés sur l'ouvrage tels que des réglets, des modèles et des queues d'aronde sans avoir à vous inquiéter du « dérapage » de la mèche par rapport au trait de coupe prévu pour quelque raison que ce soit, y compris l'orientation des poignées de la toupie par rapport au dispositif de guidage fixé sur l'ouvrage.

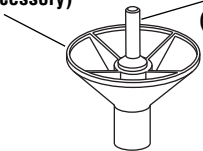
Pour recentrer rapidement la sous-embase, attachez-la en utilisant le jeu de vis à tête plate (inclus) et les trous de vis noyées dans la sous-embase. (Les vis à tête plate sont celles à tête conique.) Les vis à tête plate et les trous noyés vont entraîner la sous-embase dans une position qui est très proche de la position centrée.

Pour recentrer de la façon la plus précise possible le support de la base ou les gabarits de guidage, attachez le support de la base en utilisant le dispositif de centrage Bosch RA1151. Suivez les étapes 1 à 8 ci-dessous (Fig. 26 et 27).

1. Si un gabarit de guidage doit être centré, installez l'adaptateur du gabarit de guidage et le gabarit de guidage (compléments en option) comme cela est décrit par ailleurs dans ce mode d'emploi.
2. Positionnez le support de la base de façon que ses orifices pour vis à tête tronconique soient au-dessus de la série correspondante d'orifices filetés dans la base.
3. Insérez les vis à tête tronconique à travers le support de la base et serrez-les jusqu'à ce qu'elles soient solidement attachées, mais en permettant tout de même au support de la base de bouger.
4. Préparez le dispositif de centrage :
 - Utilisez le bout étroit de l'arbre en acier lorsque vous devez l'insérer dans la douille de 1/4 po, ou

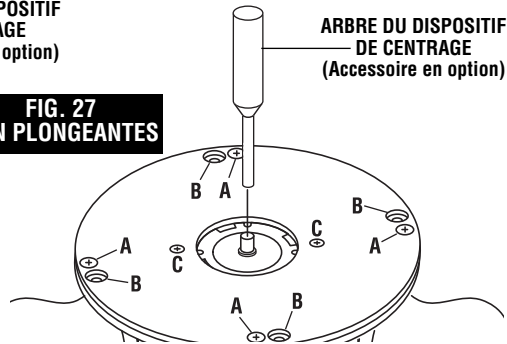
**CÔNE DE CENTRAGE
(optional accessory)**

**ARBRE DU DISPOSITIF
DE CENTRAGE
(Accessoire en option)**



**FIG. 27
NON PLONGEANTES**

**ARBRE DU DISPOSITIF
DE CENTRAGE
(Accessoire en option)**

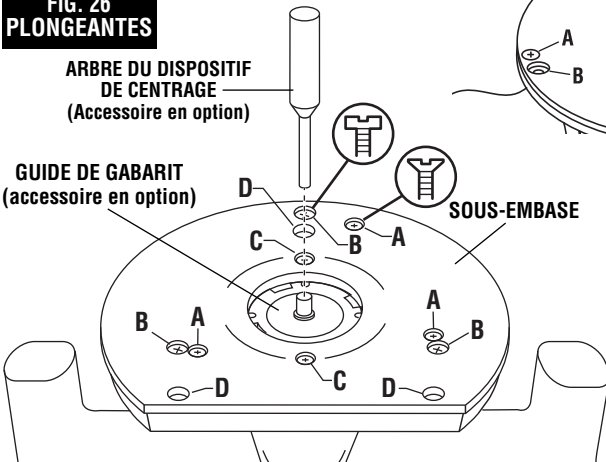


**FIG. 26
PLONGEANTES**

**ARBRE DU DISPOSITIF
DE CENTRAGE
(Accessoire en option)**

**GUIDE DE GABARIT
(accessoire en option)**

SOUS-EMBASE



A = TROUS DE VIS NOYÉES M4

B = TROUS DE VIS À TÊTE CYLINDRIQUE M4

C = TROUS DE VIS POUR ADAPTATEUR DE GUIDE DE GABARIT

D = TROUS POUR ATTACHER LA DÉFONCEUSE À LA PLAQUE DE MONTAGE DE LA TABLE DE LA DÉFONCEUSE

le bout plus large du cône lorsque vous devez l'insérer dans la douille de 1/2 po.

- Lorsque vous centrez un support de base ou un gabarit de guidage qui a une ouverture de plus de 1/2 po, faites glisser le manchon en plastique large au-dessus de l'arbre en acier.
5. Faites glisser le cône de centrage à travers le support de la base ou le gabarit de guidage jusqu'à ce qu'il soit à l'intérieur de la douille. Serrez l'écrou de la douille avec les doigts pour immobiliser le cône de centrage.

6. Appuyez légèrement sur le cône de centrage vers l'intérieur du support de la base ou du gabarit de guidage pour le centrer.
7. Serrez les vis à tête tronconique. Retirez le cône de centrage.
8. Le centrage de précision du support de la base ou du gabarit de guidage est maintenant terminé.

CÔNE DE CENTRAGE - Utilisé lors du centrage de la sous-embase elle-même ou de gabarits de guidage larges.

TAILLE MAXIMUM DE LA MÈCHE/DÉS ÉLÉMENTS COUPANTS POUR LES GABARITS DE GUIDAGE

Lorsque vous utilisez un gabarit de guidage, employez seulement une mèche de toupie avec des éléments coupants d'un diamètre inférieur de 1/16 po au diamètre intérieur du gabarit de guidage, comme indiqué au tableau ci-dessous.

UTILISATION AVEC DES GABARITS DE GUIDAGE FILETÉS

Un accessoire additionnel, l'adaptateur RA110, est également disponible en option. Il permet d'employer des gabarits de guidage filetés conventionnels avec le système à relâchement rapide de Bosch.

Gabarit de guidage Bosch	Profondeur de la douille A	Diamètre extérieur B	Diamètre intérieur B	Diamètre max. de la mèche/de l'élément coupant
RA1101	3/16 po	5/16 po	1/4 po	3/16 po
RA1103	9/64 po	5/16 po	17/64 po	13/64 po
RA1105	9/64 po	7/16 po	3/8 po	5/16 po
RA1107	5/16 po	7/16 po	3/8 po	5/16 po
RA1109	7/16 po	1/2 po	13/32 po	11/32 po
RA1111	3/16 po	5/8 po	17/32 po	15/32 po
RA1113	1/2 po	5/8 po	17/32 po	15/32 po
RA1115	3/16 po	3/4 po	21/32 po	19/32 po
RA1117	31/64 po	13/16 po	5/8 po	9/16 po
RA1119	31/64 po	1 po	25/32 po	21/32 po
RA1121	7/16 po	1-3/8 po	1-19/64 po	1-15/64 po

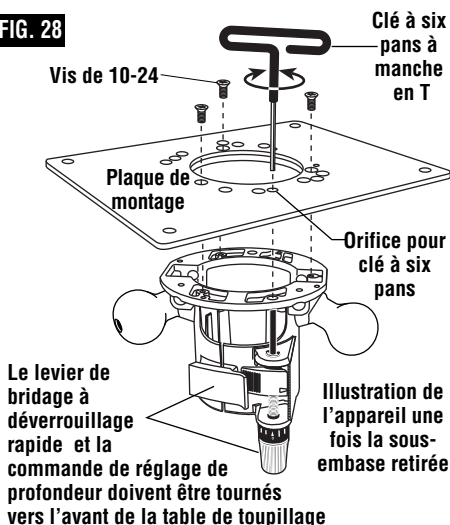
UTILISATION EN TABLE DE TOUPILLAGE

Votre défonceuse peut également être utilisée en table de toupillage. L'embase fixe RA1161 est conçue pour permettre un réglage facile de la profondeur lors de l'utilisation sous table de toupillage. L'embase de type 'D' à poignées en 'D' No. RA1162 ne peut pas se monter sur la plupart des tables de toupillage.

MISE EN GARDE L'embase plongeante RA1166 n'est pas recommandée pour être utilisée en table de toupillage. On peut abîmer l'embase de la défonceuse plongeante.

Pour éviter d'avoir à monter votre propre embase de défonceuse sous la table de toupillage pour devoir ensuite la démonter pour la reconvertir en défonceuse portable, Bosch offre en option l'embase de montage sous table RA1165 (Fig. 28). Cette embase est conçue pour être montée sous votre table de manière permanente, laissant ainsi vos autres embases de défonceuse prêtes à l'emploi pour des tâches qui ne nécessitent pas la table de toupillage. Le moteur peut être échangé rapidement entre les embases – et sans outils !

FIG. 28



Pour des instructions complètes relatives au fonctionnement d'une défonceuse en table de toupillage, ainsi qu'une clé à six pans à manche en T pour effectuer un réglage de la profondeur au-dessus de la table.

MONTAGE DE L'EMBASE SUR LA PLAQUE DE MONTAGE

Montez la RA1161 sur la plaque de montage de la table de toupillage à l'aide de l'un ou des deux ensembles de vis de montage fournis.

L'embase est munie de deux ensembles de trous filetés qui ont été percés pour permettre son montage :

- Trois trous de vis de 10-24 dans la configuration standard de trois trous
- Quatre trous de vis M4 dans la configuration Bosch de quatre trous

Des vis de montage sont nécessaires pour l'embase RA1161: (ne sont pas incluses avec tous les modèles).

- Trois vis de 10-24
- Quatre vis M4

Leur longueur dépendra de l'épaisseur de votre table de toupillage ou de la plaque de montage de votre table de toupillage.

Si la plaque de montage de votre table de toupillage n'est pas munie de trous fraisés dans l'une des deux configurations mentionnées ci-dessus, vous devrez déterminer l'emplacement des trous, les percer et les fraisier. Vous devrez également calculer l'emplacement d'un trou pour la clé de réglage en dessus de la table et percer ce trou.

BRANCHEZ LA DÉFONCEUSE ET L'INTERRUPTEUR DE LA TABLE DE TOUILLAGE

Pour préparer l'utilisation de l'interrupteur :

1. Assurez-vous que l'interrupteur de la défonceuse et celui de la table de toupillage sont tous les deux en position arrêt.
2. Branchez le cordon de l'interrupteur de la table de toupillage sur une prise murale.
3. Branchez la défonceuse dans la prise pendante de l'interrupteur de la table de toupillage.

4. Verrouillez l'interrupteur de la défonceuse sur marche : appuyez sur la gâchette, enfoncez le bouton de verrouillage et relâchez la gâchette.
5. Utilisez l'interrupteur de la table de toupillage pour démarrer et arrêter la défonceuse.

RÉGLAGE DE LA PROFONDEUR (voir page 35 et 36)

AVANCE DE LA PIÈCE SUR UNE TABLE DE TOUILLAGE

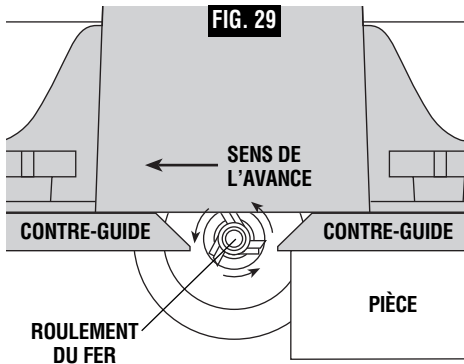
Utilisez toujours le guide de votre table ou le goujon d'appui et le capot approprié et suivez le mode d'emploi de votre table de toupillage.

Poussez TOUJOURS la pièce de droite à gauche en la faisant passer sur le devant du fer. Sur les tables de toupillage Bosch, le sens d'avance correct est également indiqué sur le boîtier du guide ainsi que sur les planches en éventail si ces accessoires ont été installés correctement. (Fig. 29)

Si possible, quand vous utilisez le guide, employez une baguette pour pousser la pièce, surtout pour les pièces étroites.

VUE DE DESSUS

REMARQUE : le capot et les planches en éventail ont été enlevés pour clarifier la figure.



Entretien

Service

⚠ AVERTISSEMENT Tout entretien préventif effectué par des personnels non autorisés peut résulter en mauvais placement de fils internes ou de pièces, ce qui peut présenter un danger grave. Nous vous conseillons de faire faire tout l'entretien par un centre de service d'usine Bosch ou une station service agréée Bosch.

LUBRIFICATION DE L'OUTIL

Votre outil Bosch a été lubrifié correctement en usine et il est prêt à l'utilisation. Nous vous conseillons de re-graisser les outils qui comportent des engrenages avec un lubrifiant à engrenages spécial à chaque fois que vous changez les balais.

BALAIS OU CHARBONS

Les balais (ou charbons) et le collecteur de votre outil ont été conçus pour apporter de nombreuses heures de fonctionnement fiable. Pour maintenir le rendement du moteur à son maximum, nous vous conseillons de contrôler les balais tous les deux à six mois. Il ne faut utiliser que des balais de rechange Bosch d'origine et conçus pour votre outil.

PALIER

Après environ 300 à 400 heures de fonctionnement ou tous les deux changements de balais, il est conseillé de

faire remplacer les paliers par un centre de service d'usine Bosch ou une station service agréée Bosch. Si les paliers commencent à faire du bruit (à cause de surcharges importantes ou du touillage de matériaux très abrasifs) il faut les faire remplacer immédiatement pour éviter la surchauffe ou une panne de moteur.

Nettoyage

⚠ AVERTISSEMENT Pour éviter les accidents, il faut toujours débrancher l'outil avant de le nettoyer ou de l'entretenir. Le meilleur moyen de nettoyer l'outil est d'utiliser de l'air comprimé sec. Il faut toujours porter des lunettes de protection quand on utilise de l'air comprimé.

Les ouïes de ventilation et les leviers de l'interrupteur doivent rester propres et exempts de corps étrangers. Ne tentez pas de les nettoyer en enfonçant des objets pointus dans les orifices.

⚠ MISE EN GARDE Certains agents de nettoyages et certains dissolvants abiment les pièces en plastique. Parmi ceux-ci se trouvent: l'essence, le tétrachlorure de carbone, les dissolvants de nettoyage chlorés, l'ammoniaque ainsi que les détergents domestiques qui en contiennent.

Cordons de rallonge

⚠ AVERTISSEMENT Si un cordon de rallonge s'avère nécessaire, vous devez utiliser un cordon avec conducteurs de dimension adéquate pouvant porter le courant nécessaire à votre outil. Ceci prévient une chute excessive de tension, une perte de courant ou une surchauffe. Les outils mis à la terre doivent utiliser des cordons de rallonge trifilaires pourvus de fiches à trois broches ainsi que des prises à trois broches.

REMARQUE : Plus le calibre est petit, plus le fil est gros.

DIMENSIONS DE RALLONGES RECOMMANDÉES OUTILS 120 VOLTS COURANT ALTERNATIF

Intensité nominale de l'outil	Calibre A. W. G.				Calibre en mm ²			
	Longueur en pieds				Longueur en mètres			
	25	50	100	150	15	30	60	120
3-6	18	16	16	14	0,75	0,75	1,5	2,5
6-8	18	16	14	12	0,75	1,0	2,5	4,0
8-10	18	16	14	12	0,75	1,0	2,5	4,0
10-12	16	16	14	12	1,0	2,5	4,0	—
12-16	14	12	—	—	—	—	—	—

Accessoires

Mandrin à douille de 1/4 po *

Mandrin à douille de 1/2 po *

Clé d'arbre de 16 mm *

Clé de 24 mm pour écrou de douille *

Clé à six pans à manche en T (incluse avec les modèles 1617EVS et 1617EVSPK seulement)

Mandrin à douille de 3/8 po **

Mandrin à douille de 8 mm **

Guide de défonceuse de luxe **

Dispositif de centrage **

Coffret de transport (standard avec 1617K, 1617EVSK, 1617EVSPK seulement)

Capuchons d'aspiration des poussières **

Capuchon d'aspiration des poussières pour toupillage de chants **

Rallonge de commande de réglage fin **

Embase de montage sous table avec rallonge de commande de réglage fin **

Tables de toupillage **

Guides de gabarit à déverrouillage rapide **

Adaptateur de guide de gabarit **

Adaptateur pour guides de gabarit de type standard **

Tourelle à butée de profondeur réglable **

(* = équipement standard)

(** = accessoires en option)



Advertencias generales de seguridad para herramientas mecánicas



ADVERTENCIA

Lea todas las advertencias de seguridad y todas las instrucciones. Si no se siguen las advertencias e instrucciones, el resultado podría ser sacudidas eléctricas, incendio y/o lesiones graves.

GUARDE TODAS LAS ADVERTENCIAS E INSTRUCCIONES PARA REFERENCIA FUTURA

La expresión “herramienta mecánica” en las advertencias se refiere a su herramienta mecánica alimentada por la red eléctrica (herramienta alámbrica) o su herramienta mecánica alimentada por baterías (herramienta inalámbrica).

Seguridad del área de trabajo

Mantenga el área de trabajo limpia y bien iluminada. Las áreas desordenadas u oscuras invitan a que se produzcan accidentes.

No utilice herramientas mecánicas en atmósferas explosivas, como por ejemplo en presencia de líquidos, gases o polvos inflamables. Las herramientas mecánicas generan chispas que pueden incendiar el polvo o los vapores.

Mantenga alejados a los niños y a las personas que estén presentes mientras esté utilizando una herramienta mecánica. Las distracciones pueden hacerle perder el control de la herramienta.

Seguridad eléctrica

Los enchufes de las herramientas mecánicas deben coincidir con el tomacorriente. No modifique nunca el enchufe de ningún modo. No use enchufes adaptadores con herramientas mecánicas conectadas a tierra (puestas a tierra). Los enchufes no modificados y los tomacorrientes coincidentes reducirán el riesgo de sacudidas eléctricas.

Evite el contacto del cuerpo con las superficies conectadas o puestas a tierra, tales como tuberías, radiadores, estufas y refrigeradores. Hay un aumento del riesgo de sacudidas eléctricas si el cuerpo del operador se conecta o pone a tierra.

No exponga las herramientas mecánicas a la lluvia o a condiciones mojadas. La entrada de agua en una herramienta mecánica aumentará el riesgo de que se produzcan sacudidas eléctricas.

No maltrate el cordón de energía. No use nunca el cordón para transportar la herramienta mecánica, tirar de ella o desenchufarla. Mantenga el cordón alejado del calor, el aceite, los bordes afilados o las piezas móviles. Los cordones dañados o enganchados aumentan el riesgo de que se produzcan sacudidas eléctricas.

Cuando utilice una herramienta mecánica en el exterior, use un cordón de extensión adecuado para uso a la intemperie. La utilización de un cordón adecuado para uso a la intemperie reduce el riesgo de que se produzcan sacudidas eléctricas.

Si es inevitable utilizar una herramienta mecánica en un lugar húmedo, utilice una fuente de energía

protegida por un interruptor de circuito accionado por corriente de pérdida a tierra (GFCI). El uso de un GFCI reduce el riesgo de sacudidas eléctricas.

Seguridad personal

Manténgase alerta, fíjese en lo que está haciendo y use el sentido común cuando esté utilizando una herramienta mecánica. No use una herramienta mecánica cuando esté cansado o bajo la influencia de drogas, alcohol o medicamentos. Un momento de distracción mientras esté utilizando herramientas mecánicas podría causar lesiones corporales graves.

Use equipo de protección personal. Use siempre protección de los ojos. El equipo de protección, como por ejemplo una máscara antipolvo, calzado de seguridad antideslizante, casco o protección de oídos, utilizado para las condiciones apropiadas, reducirá las lesiones corporales.

Evite el arranque accidental. Asegúrese de que el interruptor esté en la posición de apagado antes de conectar la herramienta a la fuente de energía y / o al paquete de batería, levantar la herramienta o transportarla. Transportar herramientas mecánicas con un dedo en el interruptor o encender herramientas mecánicas que tengan el interruptor en la posición de encendido invita a que se produzcan accidentes.

Quite todas las llaves de ajuste o de tuerca antes de encender la herramienta mecánica. Una llave de tuerca o de ajuste que se deje colocada en una pieza giratoria de la herramienta mecánica podría causar lesiones corporales.

No intente alcanzar demasiado lejos. Mantenga un apoyo de los pies y un equilibrio apropiados en todo momento. Esto permite controlar mejor la herramienta mecánica en situaciones inesperadas.

Vístase adecuadamente. No use ropa holgada ni alhajas holgadas. Mantenga el pelo, la ropa y los guantes alejados de las piezas móviles. La ropa holgada, las alhajas holgadas o el pelo largo pueden quedar atrapados en las piezas móviles.

Si se proporcionan dispositivos para la conexión de instalaciones de extracción y recolección de polvo, asegúrese de que dichas instalaciones estén conectadas y se usen correctamente. El uso de dispositivos de recolección de polvo puede reducir los peligros relacionados con el polvo.





Uso y cuidado de las herramientas mecánicas

No fuerce la herramienta mecánica. Use la herramienta mecánica correcta para la aplicación que desee realizar. La herramienta mecánica correcta hará el trabajo mejor y con más seguridad a la capacidad nominal para la que fue diseñada.

No use la herramienta mecánica si el interruptor no la enciende y apaga. Toda herramienta mecánica que no se pueda controlar con el interruptor es peligrosa y debe ser reparada.

Desconecte el enchufe de la fuente de energía y/o el paquete de batería de la herramienta mecánica antes de hacer cualquier ajuste, cambiar accesorios o almacenar herramientas mecánicas. Dichas medidas preventivas de seguridad reducen el riesgo de arrancar accidentalmente la herramienta mecánica.

Guarde las herramientas que no esté usando fuera del alcance de los niños y no deje que personas que no estén familiarizadas con la herramienta mecánica o con estas instrucciones utilicen la herramienta. Las herramientas mecánicas son peligrosas en manos de usuarios que no hayan recibido capacitación.

Mantenga las herramientas mecánicas. Compruebe si hay piezas móviles desalineadas o que se atoran, si

hay piezas rotas y si existe cualquier otra situación que podría afectar el funcionamiento de la herramienta mecánica. Si la herramienta mecánica está dañada, haga que la reparen antes de usarla. Muchos accidentes son causados por herramientas mecánicas mantenidas deficientemente.

Mantenga las herramientas de corte afiladas y limpias. Es menos probable que las herramientas de corte mantenidas apropiadamente, con bordes de corte afilados, se atoren, y dichas herramientas son más fáciles de controlar.

Utilice la herramienta mecánica, los accesorios, las brocas de la herramienta, etc., de acuerdo con estas instrucciones, teniendo en cuenta las condiciones de trabajo y el trabajo que se vaya a realizar. El uso de la herramienta mecánica para operaciones distintas a aquéllas para las que fue diseñada podría causar una situación peligrosa.

Servicio de ajustes y reparaciones

Haga que su herramienta mecánica reciba servicio de un técnico de reparaciones calificado, utilizando únicamente piezas de repuesto idénticas. Esto asegurará que se mantenga la seguridad de la herramienta mecánica.

Normas de seguridad para fresadoras

Agarre la herramienta eléctrica por las superficies de agarre con aislamiento, porque puede que el cortador entre en contacto con su propio cable de alimentación. Si se corta un cable que tenga corriente, se puede hacer que las partes metálicas de la herramienta eléctrica que estén al descubierto tengan corriente y causen una descarga eléctrica al operador.

Use abrazaderas u otro modo práctico de asegurar y soportar la pieza de trabajo en una plataforma estable. Si se sujeta la pieza de trabajo con la mano o contra el cuerpo, se crea una situación inestable y es posible que eso cause pérdida de control.

No taladre, apriete elementos de sujeción ni rompa en paredes existentes u otras áreas ciegas en las que pueda haber cables eléctricos. Si esta situación es inevitable, desconecte todos los fusibles o cortacircuitos que alimenten este lugar de trabajo.

Asegúrese siempre de que la superficie de trabajo no tenga clavos ni otros objetos extraños. El corte de un clavo puede hacer que la broca y la herramienta salten y que la broca se dañe.

Nunca tenga la pieza de trabajo en una mano y la herramienta en la otra al utilizarla. Nunca ponga las

manos cerca o debajo de la superficie de corte. Es más seguro fijar con abrazaderas el material y guiar la herramienta con ambas manos.

Nunca ponga la pieza de trabajo sobre superficies duras, tales como hormigón, piedra, etc... la broca de corte que sobresale podrá hacer que la herramienta salte.

Use siempre gafas de seguridad y máscara antipolvo. Use la herramienta únicamente en un área bien ventilada. La utilización de dispositivos de seguridad personal y el trabajar en un entorno seguro reducen el riesgo de que se produzcan lesiones.

Después de cambiar las brocas o de hacer ajustes, asegúrese de que la tuerca del portaherramienta y otros dispositivos de ajuste estén apretados firmemente. Un dispositivo de ajuste flojo puede desplazarse inesperadamente, causando pérdida de control, y los componentes giratorios flojos saldrán despedidos violentamente.

Nunca arranque la herramienta cuando la broca esté acoplada en el material. El borde de corte de la broca puede engancharse en el material, causando pérdida de control de la cortadora.





Sujete siempre la herramienta con las dos manos durante el arranque. El par de reacción del motor puede hacer que la herramienta se tuerza.

El sentido de avance de la broca en el material es muy importante y está relacionado con el sentido de giro de la broca. Al mirar a la herramienta desde arriba, la broca gira en el sentido de las agujas del reloj. El sentido de avance de corte debe ser en contra de las agujas del reloj. NOTA: Los cortes interiores y exteriores requerirán un sentido de avance distinto; consulte la sección sobre avance de la fresadora. El hacer avanzar la herramienta en sentido incorrecto hace que el borde de corte de la broca se salga de la pieza de trabajo y tire de la herramienta en el sentido de este avance.

Nunca use brocas desafiladas o dañadas. Las brocas afiladas se deben manejar con cuidado. Las brocas dañadas pueden romperse bruscamente durante el uso. Las brocas desafiladas requieren más fuerza para empujar la herramienta, con lo que es posible que la broca se rompa.

Nunca toque la broca durante ni inmediatamente después de la utilización. Después del uso, la broca está demasiado caliente como para tocarla con las manos desnudas.

Nunca deje la herramienta hasta que el motor se haya detenido por completo. La broca que gira puede engancharse en la superficie y tirar de la herramienta haciendo que usted pierda el control.

Nunca utilice brocas que tengan un diámetro de corte mayor que la abertura de la base.

La velocidad nominal del accesorio debe ser al menos igual a la velocidad marcada en la herramienta mecánica. Los accesorios que funcionen más rápidamente que su VELOCIDAD NOMINAL se pueden romper y salir despedidos.

Advertencias de seguridad adicionales

Un GFCI y los dispositivos de protección personal, como guantes de goma y calzado de goma de electricista, mejorarán más su seguridad personal.

No use herramientas mecánicas con capacidad nominal solamente para CA con una fuente de energía de CC. Aunque pueda parecer que la herramienta funciona correctamente, es probable que los componentes eléctricos de la herramienta con capacidad nominal para CA fallen y creen un peligro para el operador.

Mantenga los mangos secos, limpios y libres de aceite y grasa. Las manos resbalosas no pueden controlar de modo seguro la herramienta mecánica.

Use abrazaderas u otro modo práctico de sujetar y soportar la pieza de trabajo en una plataforma estable. Si se sujeta la pieza de trabajo con la mano o contra el cuerpo, se crea una situación inestable que podría causar pérdida de control.

Desarrolle un programa de mantenimiento periódico de la herramienta. Cuando limpie una herramienta, tenga cuidado de no desmontar ninguna de sus partes, ya que los cables internos podrían reubicarse incorrectamente o pellizcarse, o los resortes de retorno de los protectores de seguridad podrían montarse incorrectamente. Ciertos agentes de

limpieza, tales como gasolina, tetracloruro de carbono, amoníaco, etc., podrían dañar las piezas de plástico.

Riesgo de lesiones para el usuario. El cordón de energía debe recibir servicio de ajustes y reparaciones solamente por un Centro de Servicio de Fábrica Bosch o una Estación de Servicio Bosch Autorizada.

⚠ ADVERTENCIA Cierta polvo generado por el lijado, aserrado, amolado y taladrado mecánicos, y por otras actividades de construcción, contiene agentes químicos que se sabe que causan cáncer, defectos de nacimiento u otros daños sobre la reproducción. Algunos ejemplos de estos agentes químicos son:

- Plomo de pinturas a base de plomo,
- Sílice cristalina de ladrillos y cemento y otros productos de mampostería, y
- Arsénico y cromo de madera tratada químicamente.

Su riesgo por causa de estas exposiciones varía, dependiendo de con cuánta frecuencia realice este tipo de trabajo. Para reducir su exposición a estos agentes químicos: trabaje en un área bien ventilada y trabaje con equipo de seguridad aprobado, como por ejemplo máscaras antipolvo que estén diseñadas especialmente para impedir mediante filtración el paso de partículas microscópicas.





Instrucciones de seguridad para la mesa de fresadora

Lea y entienda el manual de la herramienta y estas instrucciones para el uso de esta mesa con su fresadora. Si no sigue todas las instrucciones que se indican a continuación, el resultado podría ser lesiones personales graves.

Desenchufe la herramienta antes de instalarla en la mesa, hacer ajustes o cambiar brocas. El arranque accidental de la herramienta puede causar lesiones.

Ensamble y apriete completamente todos los elementos de sujeción requeridos para esta mesa y para montar la fresadora. Recuerde también comprobar ocasionalmente la base de soporte y asegurarse de que sigue estando apretada. Una base de soporte floja es inestable y puede desplazarse durante el uso y causar lesiones graves.

Antes de utilizar la herramienta, asegúrese de que toda la unidad esté colocada sobre una superficie sólida, plana y nivelada. Podrían producirse lesiones graves si la herramienta es inestable y se inclina.

Nunca se pare sobre la mesa ni la utilice como escalera o andamio. Podrían producirse lesiones graves si la mesa se inclina o si se hace contacto accidentalmente con la herramienta de corte. No almacene materiales sobre la mesa ni cerca de ésta de manera que sea necesario subirse a la mesa o a su base de soporte para alcanzar dichos materiales.

Nunca utilice brocas desafiladas o dañadas. Las brocas afiladas deben manejarse con cuidado. Las brocas dañadas pueden romperse bruscamente durante el uso. Las brocas desafiladas requieren más fuerza para empujar la pieza de trabajo, con lo que es posible causar la rotura de la broca.

Seleccione la broca apropiada y su velocidad para ajustarse a la aplicación que vaya a realizar. No utilice brocas que tengan un diámetro de corte que sobrepase la capacidad de la herramienta. La sobrecarga de la herramienta puede causar lesiones personales o fallo de la herramienta.

Nunca arranque la herramienta cuando la broca esté acoplada en el material. El borde de corte de la broca puede engancharse en el material, causando pérdida de control de la pieza de trabajo.

Las brocas de fresadora están diseñadas solamente para madera, productos de madera y plástico. Antes de realizar operaciones de fresado, asegúrese de que la pieza de trabajo no contenga clavos, etc. El corte de un clavo u objeto similar puede hacer que las partes de carburo se suelten, salgan despedidas hacia el lado del operador y posiblemente golpeen al operador o a las personas que se encuentren presentes.

Haga avanzar la pieza de trabajo contra el sentido de rotación de la broca. La broca gira en sentido contrario al de las agujas del reloj según se ve desde la parte de arriba de la mesa. Hacer avanzar la pieza de trabajo en sentido incorrecto hará que dicha pieza "trepe" por la broca y podría causar pérdida de control durante la operación.

Nunca coloque las manos cerca de la broca que gira. Utilice palos de empujar, tablas de canto biselado (palos de resorte) montadas vertical y horizontalmente y otros posicionadores para sujetar la pieza de trabajo y mantener las manos alejadas de la broca que gira. Los cortes de fresadora son cortes ciegos, pero la broca aún sobresale a través de la mesa y el operador debe ser consciente de la posición de las manos en relación con la broca que gira.

No recomendamos cortar material que esté alabeado u ondulado o que sea inestable de alguna otra manera. Si esta situación es inevitable, corte siempre el material con el lado cóncavo contra la mesa. Cortar el material con el lado cóncavo orientado hacia arriba o alejándose de la mesa puede hacer que el material alabeado u ondulado ruede, haciendo que el operador pierda el control; el resultado puede ser retroceso y lesiones personales graves.

Utilice el tope-guía ajustable en aplicaciones de corte recto. Cuando frese a lo largo de un borde completo de la pieza de trabajo, el tope-guía y la cuña de soporte ajustable ayudarán a mantener la estabilidad.

Sin el tope-guía solamente pueden utilizarse brocas con punta piloto. Las brocas con punta piloto se utilizan al fresar contornos internos y externos en la pieza de trabajo. El cojinete de la broca con punta piloto ayuda a mantener el control de la pieza de trabajo.

Después de cambiar las brocas o de realizar cualquier ajuste, asegúrese de que la tuerca del portaherramienta y todos los demás dispositivos de ajuste estén apretados firmemente. Si un dispositivo de ajuste está suelto, dicho dispositivo puede desplazarse inesperadamente, causando pérdida de control, con lo que los componentes que giran que estén sueltos serán lanzados violentamente.

Nunca toque la broca durante o inmediatamente después del uso. El contacto con la broca que gira causará lesiones, y después del uso la broca está demasiado caliente para tocarla con las manos desnudas.

Utilice únicamente piezas de repuesto Bosch. Todas las demás piezas pueden crear un peligro.



Símbolos

IMPORTANTE: Es posible que algunos de los símbolos siguientes se usen en su herramienta. Por favor, estúdielos y aprenda su significado. La interpretación adecuada de estos símbolos le permitirá utilizar la herramienta mejor y con más seguridad.

Símbolo	Nombre	Designación/explicación
V	Volt	Tensión (potencial)
A	Ampere	Corriente
Hz	Hertz	Frecuencia (ciclos por segundo)
W	Watt	Potencia
kg	Kilogramo	Peso
min	Minuto	Tiempo
s	Segundo	Tiempo
\varnothing	Diámetro	Tamaño de las brocas taladradoras, muelas, etc
n_0	Velocidad sin carga	Velocidad rotacional sin carga
n	Velocidad nominal	Máxima velocidad obtenible
.../min	Revoluciones o alternación por minuto	Revoluciones, golpes, velocidad de superficie, órbitas, etc., por minuto
0	Posición "off" (apagado)	Velocidad cero, par motor cero...
1, 2, 3, ... I, II, III,	Graduaciones del selector	Graduaciones de velocidad, par motor o posición. Un número más alto significa mayor velocidad
	Selector infinitamente variable con apagado	La velocidad aumenta desde la graduación de 0
	Flecha	Acción en la dirección de la flecha
	Corriente alterna	Tipo o una característica de corriente
	Corriente continua	Tipo o una característica de corriente
	Corriente alterna o continua	Tipo o una característica de corriente
	Construcción de clase II	Designa las herramientas de construcción con aislamiento doble.
	Terminal de toma de tierra	Terminal de conexión a tierra
	Símbolo de advertencia	Alerta al usuario sobre mensajes de advertencia
	Sello RBRC de Li-ion	Designa el programa de reciclaje de baterías de Li-ion
	Sello RBRC de Ni-Cd	Designa el programa de reciclaje de baterías de Ni-Cd
	Símbolo de lectura del manual	Alerta al usuario para que lea el manual
	Símbolo de uso de protección de los ojos	Alerta al usuario para que use protección de los ojos



Símbolos (continuación)

IMPORTANTE: Es posible que algunos de los símbolos siguientes se usen en su herramienta. Por favor, estúdielos y aprenda su significado. La interpretación adecuada de estos símbolos le permitirá utilizar la herramienta mejor y con más seguridad.



Este símbolo indica que esta herramienta está catalogada por Underwriters Laboratories.



Este símbolo indica que esta herramienta está reconocida por Underwriters Laboratories.



Este símbolo indica que Underwriters Laboratories ha catalogado esta herramienta indicando que cumple con las normas estadounidenses y canadienses.



Este símbolo indica que esta herramienta está catalogada por la Canadian Standards Association.



Este símbolo indica que la Canadian Standards Association ha catalogado esta herramienta indicando que cumple con las normas estadounidenses y canadienses.



Este símbolo indica que Intertek Testing Services ha catalogado esta herramienta indicando que cumple con las normas estadounidenses y canadienses.



Este símbolo indica que esta herramienta cumple con la norma mexicana oficial (NOM).



Descripción funcional y especificaciones

⚠ ADVERTENCIA Desconecte el enchufe de la fuente de energía antes de realizar cualquier ensamblaje o ajuste, o cambiar accesorios. Estas medidas de seguridad preventivas reducen el riesgo de arrancar la herramienta accidentalmente.

Fresadoras

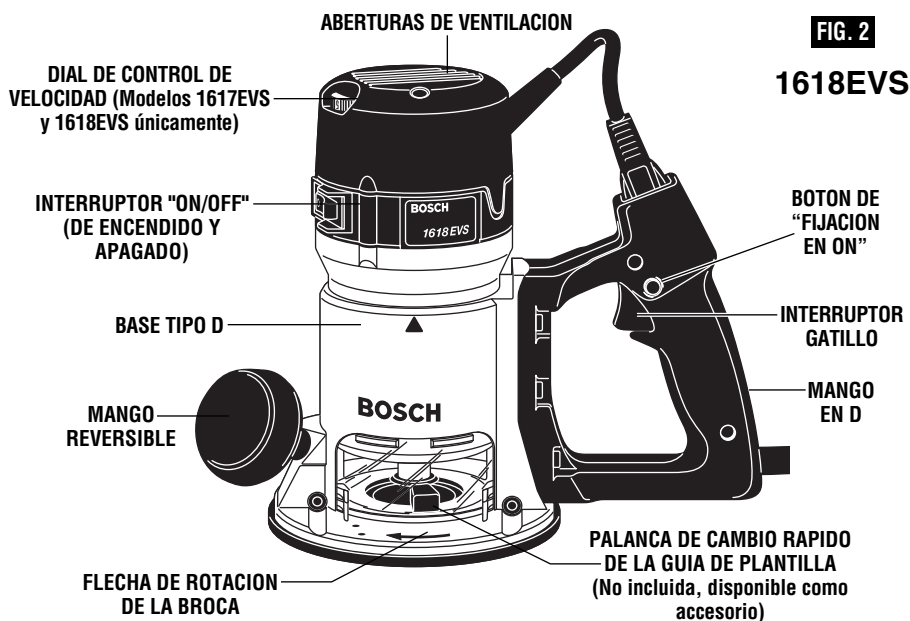
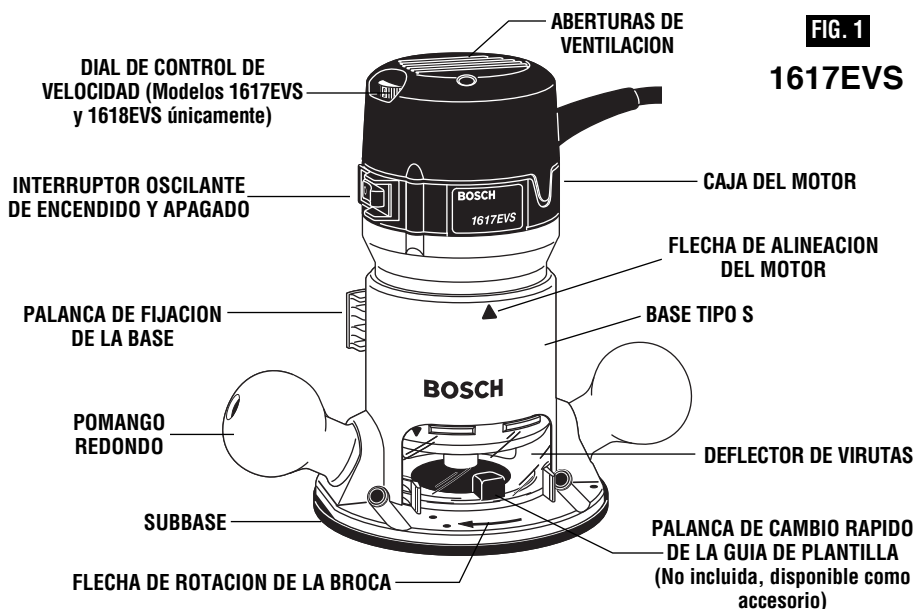
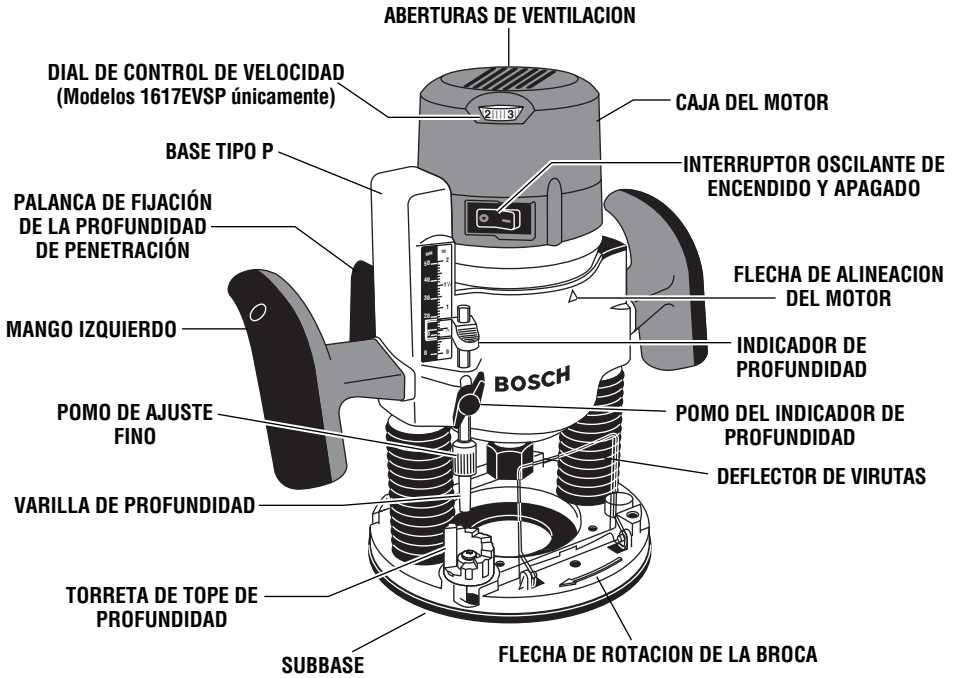


FIG. 3

1617EVSPK



Capacidad del portaherramienta 1/4", 3/8", 1/2", 8mm

NOTA: Para obtener las especificaciones de la herramienta, consulte la placa del fabricante colocada en la herramienta.

La base de fresadora de taller de base fija RA1161 marcada tipo "S" está diseñada para utilizarse con estos motores de fresadora:

- Motor de fresadora 1617 (16171)
- Motor de fresadora 1617EVS (16176)
- Motor de fresadora 1618EVS (16186)

La base de fresadora con mango en D RA1162 marcada tipo "D" está diseñada para utilizarse solamente con estos motores de fresadora:

- Motor de fresadora 1618EVS (16186)

La base de fresadora de descenso vertical RA1166 marcada tipo "P" está diseñada para utilizarse con estos motores de fresadora:

- Motor de fresadora 1617 (16171)
- Motor de fresadora 1617EVS (16176)
- Motor de fresadora 1618EVS (16186)

Ensamblaje

SELECCION DE BROCAS

Hay disponible por separado un amplio surtido de brocas de fresadora con distintos perfiles. Utilice un cuerpo de 1/2 pulgada siempre que sea posible y use únicamente brocas de buena calidad.

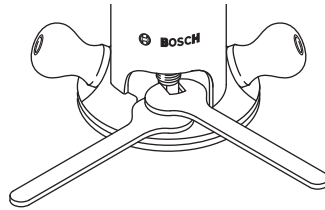
⚠ ADVERTENCIA Para prevenir lesiones personales, saque siempre el enchufe de la fuente de energía antes de quitar o instalar brocas o accesorios.

INSTALACION DE UNA BROCA DE FRESADORA

Coloque la fresadora en posición invertida o apóyela sobre uno de sus lados de manera que la base esté descansando sobre el banco. Otra opción es quitar el motor de la base antes de instalar la broca.

1. Quite el protector antivirutas (o bascúlelo hacia arriba si la base de descenso vertical está colocada).
2. Sujete el eje del inducido en su sitio con la llave de eje (Fig. 4).
3. A continuación, utilice la llave de portaherramienta para aflojar el ensamblaje del mandril portaherramienta en sentido contrario al de las agujas del reloj (visto desde debajo de la fresadora).
4. Una vez que haya verificado que el cuerpo de la broca tiene el diámetro adecuado para el portaherramienta que se vaya a utilizar, introduzca el cuerpo de la broca de fresadora en el ensamblaje del mandril portaherramienta hasta donde se pueda y luego saque el cuerpo de la broca hasta que los cortadores estén aproximadamente de 3 mm a 6 mm de la cara de la tuerca del portaherramienta.
5. Con la broca de fresadora introducida y la llave de eje sujetando el eje del inducido, utilice la llave de portaherramienta para apretar firmemente el ensamblaje del mandril portaherramienta en el sentido de las agujas del reloj (visto desde debajo de la fresadora). Para asegurarse de lograr un agarre adecuado de la broca de fresadora y minimizar el descentramiento, el cuerpo de la broca de fresadora debe introducirse al menos 16 mm.

FIG. 4



LLAVE DE PORTAHERRAMIENTA

LLAVE DE EJE

Para apretar o aflojar la tuerca del portaherramienta, agarre ambas llaves de tuerca con una mano y comprima las dos llaves para juntarlas.

⚠ ADVERTENCIA El diámetro del cortador debe ser al menos 1/4" más pequeño que la abertura para la broca y el cortador.

⚠ PRECAUCION Para evitar daños a la herramienta, no apriete la tuerca del portaherramienta sin una broca.

NOTA: El cuerpo de la broca y el mandril deben estar limpios y libres de polvo, madera, residuos y grasa antes del ensamblaje.

REMOCION DE LA BROCA DE FRESADORA

1. Utilice las llaves de eje y de mandril portaherramienta tal como se ha descrito anteriormente y gire el ensamblaje del mandril portaherramienta en sentido contrario al de las agujas del reloj.
2. Una vez que se haya aflojado el ensamblaje del mandril portaherramienta, continúe girando dicho ensamblaje hasta que éste suelte de su parte cónica el portaherramienta y entonces podrá sacarse la broca.

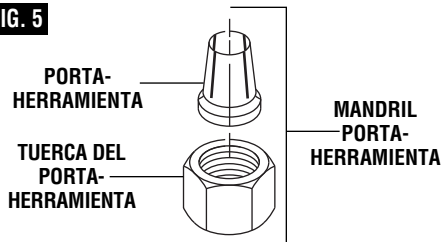
NOTA: El mandril portaherramienta es autoextraíble: NO es necesario golpear el mandril portaherramienta para liberar la broca de fresadora.

CUIDADO DEL MANDRIL PORTAHERRAMIENTA

Con la broca de fresadora retirada, continúe girando el mandril portaherramienta en sentido contrario al de las agujas del reloj hasta soltarlo del eje. Para asegurarse de que el agarre sea firme, limpie de vez en cuando el mandril portaherramienta con aire comprimido y limpie la parte cónica del eje del ensamblaje del inducido con una gasa o un cepillo fino. El mandril portaherramienta consta de dos piezas componentes tal como se ilustra (Fig. 5): compruebe si el mandril está asentado correctamente en la tuerca del mandril portaherramienta y enrosque ligeramente el mandril portaherramienta en el eje del

inducido. Cambie inmediatamente los mandriles portaherramienta desgastados o dañados.

FIG. 5



REMOCIÓN DEL MOTOR DE LA BASE (Fig. 6)

Para quitar el motor de las bases que no sean de descenso vertical:

1. Sujete la fresadora en posición horizontal, abra la palanca de fijación de la base, presione la palanca de ajuste grueso y tire del motor hacia arriba hasta que se detenga.
2. Gire el motor en sentido contrario al de las agujas del reloj y tire de él suavemente hasta separarlo de la base.

Para quitar el motor de la base de descenso vertical: (Fig. 7)

1. Sujete la fresadora en posición horizontal, abra la palanca de fijación de la base y tire del motor hacia arriba hasta que se detenga.
2. Gire el motor en sentido contrario al de las agujas del reloj y tire de él suavemente hasta separarlo de la base.

INSTALACIÓN DEL MOTOR EN LA BASE

El motor puede instalarse con el interruptor posicionado a la derecha o la izquierda de la base desde el lado del operador (y el cordón orientado hacia el lado opuesto de la fresadora). Instale el motor de manera que el interruptor esté en la ubicación que a usted le resulte más fácilmente accesible desde los mangos. Debe ser más fácil poner el interruptor en la posición de apagado que en la de encendido en caso de emergencia.

Para instalar el motor en una base que no sea de descenso vertical:

1. Suelte la palanca de fijación de la base.
2. Alinee la flecha que está en la base con la flecha que está en el motor (Fig. 8).

- Para posicionar el interruptor en el lado derecho de la base, alinee la flecha de la base con la flecha de la carcasa del motor que está debajo del cordón.
- Para posicionar el interruptor a la izquierda, alinee la flecha de la base con la flecha de la carcasa del motor que está debajo del interruptor.

3. Mientras presiona la palanca de ajuste grueso, deslice el motor hacia el interior de la base hasta que se sienta resistencia. (El pasador de guía de la base estará ahora acoplado en la ranura del motor.)
4. Siga presionando la palanca de ajuste grueso y gire el motor en el sentido de las agujas del reloj hasta que se detenga.
5. Empuje el motor hacia el interior de la base hasta que alcance la profundidad aproximada deseada.
6. Suelte la palanca de ajuste grueso y deslice el motor hacia adelante o hacia atrás según sea necesario hasta que el "enganche" del sistema de ajuste grueso salte como un resorte al interior de la muesca de retención de ajuste grueso.
7. Ajuste la posición de altura final según se describe más adelante en "Instrucciones de utilización".

Para instalar el motor en la base de descenso vertical:

1. Suelte la palanca de fijación de la base.
2. Alinee la flecha que está en la base con la flecha que está en el motor (Fig. 8).

- Para posicionar el interruptor en el lado derecho de la base, alinee la flecha de la base con la flecha de la carcasa del motor que está debajo del cordón.
 - Para posicionar el interruptor a la izquierda, alinee la flecha de la base con la flecha de la carcasa del motor que está debajo del interruptor.
3. Deslice el motor hacia el interior de la base hasta que se sienta resistencia. (El pasador de guía de la base estará ahora acoplado en la ranura del motor.)
 4. Gire el motor en el sentido de las agujas del reloj hasta que se detenga.
 5. Empuje el motor hacia el interior de la base tanto como se pueda.
 6. Asegure la palanca de fijación de la base.

FIG. 6

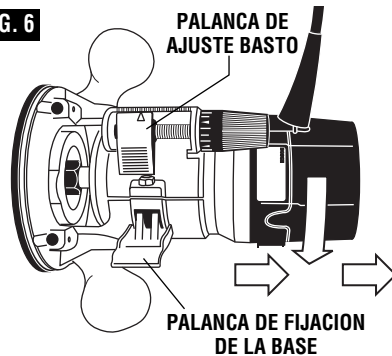


FIG. 7

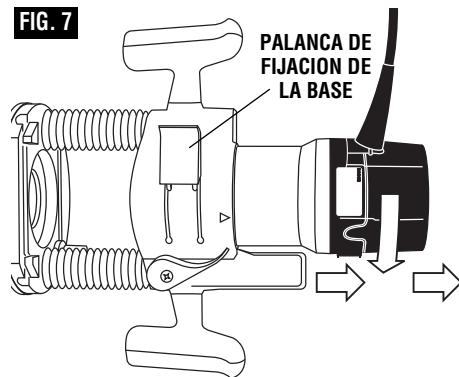
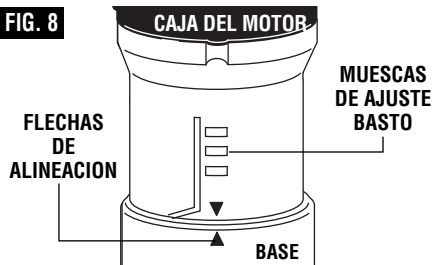


FIG. 8



DEFLECTOR DE VIRUTAS

ADVERTENCIA Use siempre protección de los ojos. El deflector de virutas no está diseñado como protector de seguridad.

Los deflectores de virutas ayudan a mantener el polvo y las virutas alejados de la cara del operador. No detendrán objetos que sean más grandes que el polvo arrojado desde la broca.

Para quitar el escudo antivirutas de las bases, presione hacia adentro sobre las lengüetas hasta que dicho escudo se suelte de la base y retírelo. Para colocarlo, ubique el deflector en su sitio de la manera que se muestra en la Fig. 9. Luego, flexione los lados del deflector mientras empuja hasta que el deflector se acople a presión en su sitio. El escudo antivirutas

de la base de descenso vertical también puede bascularse hacia afuera.

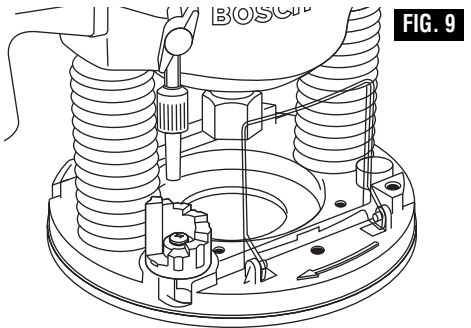
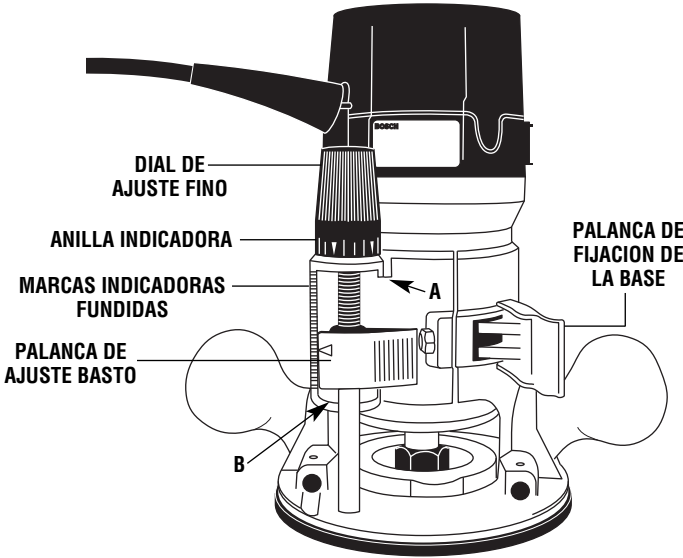


FIG. 9

Instrucciones de funcionamiento

FIG. 10



Las fresadoras Bosch están diseñadas para brindar velocidad, precisión y conveniencia en la realización de trabajo de armarios, fresado, estriado, moldurado convexo, corte de molduras cóncavas, colas de milano, etc. Estas fresadoras le permitirán realizar trabajo de incrustación, bordes decorativos y muchos tipos de tallados especiales.

AJUSTE DE PROFUNDIDAD CON LA BASE FIJA

La base fija RA1161 de la fresadora está equipada con un mecanismo de ajuste fino de tipo verdaderamente micrométrico, que puede utilizarse en cualquier posición y proporciona un ajuste preciso de la posición de la broca de fresadora para lograr una exactitud sin paralelo. Cuando se baje la herramienta hasta la posición aproximadamente deseada, este dispositivo podrá ajustarse para graduar con precisión la posición final de la broca.

La fresadora también cuenta con tres muescas horizontales a ambos lados de la carcasa del motor para realizar ajustes gruesos. Las muescas están separadas 1/2 pulgada entre ellas, lo cual le permite bajar o subir rápidamente la profundidad de la herramienta en tres incrementos de 1/2 pulgada (aproximadamente 12.7 mm), simplemente presionando la palanca de ajuste grueso.

PARA AJUSTAR LA PROFUNDIDAD

NOTA: Todos los ajustes de profundidad deben realizarse con la palanca de fijación de la base suelta.

1. Sujete la herramienta en posición horizontal con la palanca de fijación de la base orientada hacia usted.
2. Abra la palanca de fijación de la base para soltar el motor.

3. AJUSTE GRUESO:

Para hacer un ajuste de profundidad grande, presione la palanca de suelta de ajuste grueso y suba o baje el motor hasta la profundidad deseada. Hay tres muescas en la carcasa del motor que están separadas 1/2 pulgada entre ellas para facilitar este ajuste.

4. AJUSTE DE PROFUNDIDAD FINO:

Para utilizar el dispositivo de ajuste fino, gire el pomo de ajuste fino en el sentido de las agujas del reloj para bajar la broca de fresadora, o en sentido contrario al de las agujas del reloj para subirla.

NOTA: Asegúrese de que la palanca de ajuste grueso esté acoplada en una de las muescas de ajuste grueso antes de realizar un ajuste fino.

Para permitir ajustes precisos, el anillo indicador está graduado en incrementos ingleses y métricos. (Nota: una vuelta completa del pomo de ajuste fino = 1/16 de pulgada o aproximadamente 1.5 mm. El mecanismo de ajuste fino tiene un intervalo de ajuste total de 7/8 de pulgada (23 mm). Cada marca de indicador fundida junto a la palanca de ajuste grueso es igual a 1/8 de pulgada.)

Para evitar daños a la herramienta, evite atrapar en cuña la palanca de ajuste grueso contra la parte superior A o inferior B de la carcasa de la manera que se muestra en la figura 10.

5. Después de hacer ajustes de profundidad, vuelva a fijar el motor.

El anillo indicador puede reajustarse a cero sin mover el pomo de ajuste fino, para permitir al usuario comenzar el ajuste desde cualquier punto de referencia deseado.

Cuando la fresadora esté instalada en una mesa de fresadora, se puede ajustar con una llave hexagonal de 1/8", no incluida con todos los modelos (vea la página 67).

La extensión de control de ajuste fino RA1002, un accesorio opcional para las bases que no sean de

descenso vertical, permite realizar el ajuste fino desde más allá de la parte superior de la carcasa del motor. Para instalar la extensión, simplemente presione la RA1002 hacia el interior del extremo del propio pomo de ajuste fino de la base (Fig. 11).

PARA FIJAR EL MOTOR

Cuando se hayan hecho los ajustes finales gruesos y finos, sujete la palanca de fijación de la base para asegurar los ajustes. (Si se desea una fuerza de fijación adicional: utilizando una llave de tuerca de 10 mm, gire la tuerca de fijación en el sentido de las agujas del reloj LIGERAMENTE (1/8 de vuelta o menos) y luego compruebe la fijación. No apriete la tuerca excesivamente.)

CORTES PROFUNDOS

Para realizar cortes más profundos, haga varios cortes progresivamente más profundos comenzando en una profundidad y luego haga varias pasadas subsiguientes, aumentando la profundidad de corte con cada pasada.

Para asegurarse de que los ajustes de profundidad sean los deseados, es posible que quiera hacer cortes de prueba en material de desecho antes de comenzar el trabajo.

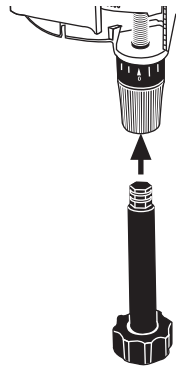


FIG. 11

AJUSTE DE PROFUNDIDAD CON BASE DE DESCENSO VERTICAL ACCIÓN DE PENETRACIÓN

El dispositivo de penetración simplifica los ajustes de profundidad y permite que la broca de corte entre de forma fácil y precisa en la pieza de trabajo. Para bajar la broca, empuje hacia la izquierda la palanca de fijación de la profundidad de penetración, ejerza presión hacia abajo hasta que alcance la profundidad deseada y reduzca la presión sobre la palanca para fijarla (Fig. 12). La palanca de fijación de la profundidad de penetración está accionada por resorte y regresa automáticamente a la posición fija. Para subir la fresadora, empuje hacia la izquierda la palanca de fijación de la profundidad de penetración, reduzca la presión sobre la fresadora y ésta retraerá automáticamente la broca de la pieza de trabajo. Es aconsejable retraer la broca siempre que ésta no esté acoplada en la pieza de trabajo.

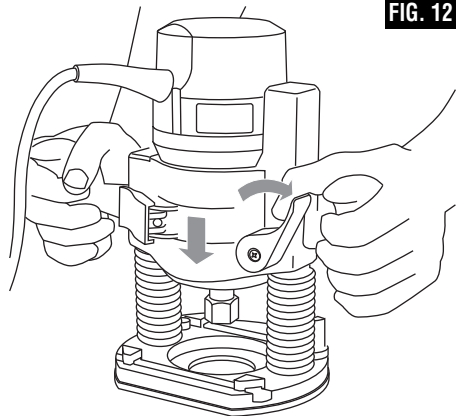


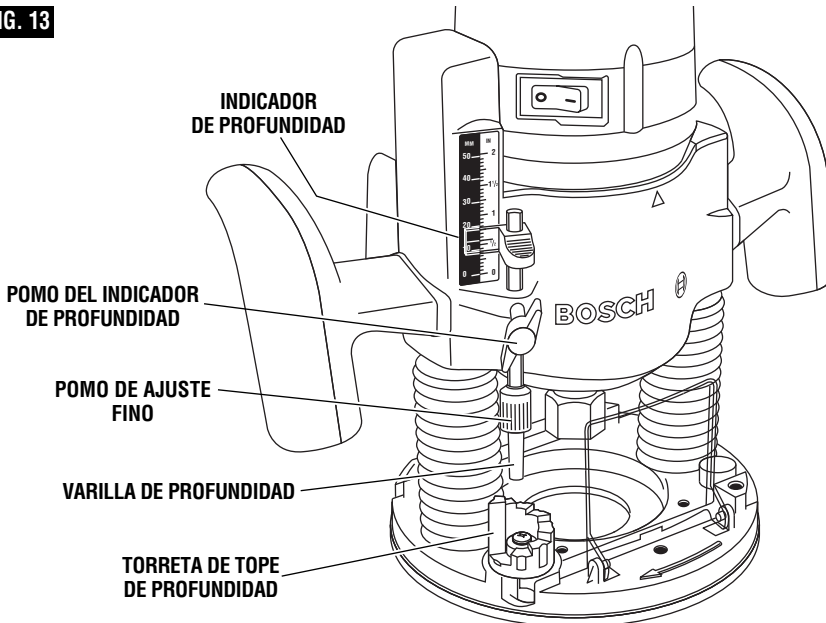
FIG. 12

VARILLA DE PROFUNDIDAD Y TORRETA DE PROFUNDIDAD

La varilla de profundidad y la torreta de tope de profundidad se utilizan para controlar la profundidad de corte de la manera siguiente:

1. Con la broca instalada, baje suavemente el motor hasta que la punta de la broca de fresadora toque ligeramente la superficie nivelada sobre la que la fresadora está apoyada. Ésta es la posición "cero", desde la cual pueden hacerse de manera precisa más ajustes de profundidad.
2. Para ajustar una profundidad de corte deseada, gire la torreta de tope de profundidad hasta que el escalón más bajo esté alineado con la varilla de profundidad. Afloje el pomo del indicador de profundidad y baje la varilla de profundidad hasta
3. Para ajustar una profundidad de corte deseada, deslice hacia arriba la varilla de profundidad hasta que la línea roja del indicador de profundidad alcance la profundidad de corte deseada, y fije la varilla en esa posición apretando firmemente el pomo del indicador de profundidad.
4. Una vez hecho esto, la profundidad de corte deseada puede lograrse haciendo bajar la fresadora hasta que la varilla de profundidad entre en contacto con el tope seleccionado en la torreta.

FIG. 13



CORTES PROFUNDOS

Para realizar cortes más profundos, haga varios cortes progresivamente más profundos comenzando con el escalón más alto de la torreta de profundidad y después de cada corte gire la torreta de profundidad a escalones progresivamente más bajos según se desee, hasta que se alcance la profundidad final (el escalón más bajo o plano). Los escalones avanzan en incrementos de 1/8 de pulgada.

Para asegurarse de que los ajustes de profundidad sean los deseados, es posible que quiera hacer cortes de prueba en material de desecho antes de comenzar el trabajo.

AJUSTE FINO

La base de descenso vertical RA1166 está equipada con un sistema de ajuste fino que le permite microajustar la profundidad de descenso vertical de la broca de

fresadora para lograr una precisión superior de fresado.

Cada revolución completa del tope de ajuste fino ajusta la profundidad de descenso vertical 1/32 de pulgada y cada una de las cuatro marcas de indicador que están en el pomo representa 1/128 de pulgada. Una de las cuatro marcas indicadoras es más grande que las otras para indicar una revolución completa. Una línea indicadora de referencia está incorporada en la varilla de profundidad.

Para utilizar el pomo de ajuste fino, una vez que se hayan ajustado la varilla de profundidad y la torreta de profundidad, compruebe el ajuste de profundidad final y realice el ajuste fino de la manera siguiente:

Para microaumentar la profundidad de descenso vertical, suba el tope de ajuste fino girándolo en sentido contrario al de las agujas del reloj la cantidad deseada.



Para microreducir la profundidad de descenso vertical, baje el tope de ajuste fino girándolo en el sentido de las agujas del reloj la cantidad deseada.

Notas

- Cuando microajuste la profundidad de descenso vertical, es más conveniente mover el tope de ajuste fino hacia arriba que hacia abajo. Antes de ajustar la varilla de profundidad y la torreta de profundidad, asegúrese de que el tope de ajuste fino se haya girado varias revoluciones hacia abajo desde su posición superior para que pueda ajustarse hacia arriba.

- El tope de ajuste fino no puede utilizarse para reducir la profundidad de descenso vertical cuando la varilla de profundidad ya esté tocando la torreta de tope de profundidad. La fresadora debe subirse antes de que pueda realizarse dicho ajuste.
- También hay disponible una torreta alternativa que tiene un escalón ajustable, que usa un tornillo M4 para el escalón ajustable. El escalón ajustable hace posible realizar aplicaciones de múltiples pasadas sin tener que hacer un ajuste de profundidad fino, incluso cuando la profundidad de corte total no sea un múltiplo de 1/8".

INTERRUPTOR OSCILANTE DE ENCENDIDO Y APAGADO

La herramienta puede encenderse o apagarse utilizando el interruptor oscilante ubicado en la caja del motor. Un lado del interruptor está marcado con la letra "I", que representa encendido, y el otro lado del interruptor está marcado con la letra "O", que representa apagado. Además, en el borde del interruptor se ve una luz roja cuando el interruptor está en la posición de encendido.

PARA ENCENDER LA HERRAMIENTA: Empuje el lado del interruptor marcado con la letra "I".

PARA APAGAR LA HERRAMIENTA: Empuje el lado del interruptor que está marcado con la letra "O".

Sostenga siempre la fresadora de manera que esté separada de la pieza de trabajo cuando accione el interruptor para apagarla o encenderla. Ponga la fresadora en contacto con la pieza de trabajo después de que la herramienta haya alcanzado su velocidad plena y retirela de la pieza de trabajo antes de apagarla accionando el interruptor. Al utilizar la fresadora de esta manera, se prolongará la duración del interruptor y del motor y se aumentará considerablemente la calidad del trabajo que se realiza (Fig. 1).

INTERRUPTOR OSCILANTE DE ENCENDIDO Y APAGADO

CON GATILLO Y BOTON DE "FIJACION EN ON" (Modelo 1618EVS solamente)

La herramienta se enciende mediante el interruptor oscilante ubicado en la parte superior de la caja del motor tal como se ha descrito anteriormente. Ahora la herramienta puede encenderse o apagarse apretando o soltando el gatillo. La herramienta también está equipada con un botón de "Fijación en ON" ubicado justo encima del gatillo, el cual permite un funcionamiento continuo sin tener que mantener apretado el gatillo (Fig. 2).

PARA FIJAR EL INTERRUPTOR EN LA POSICION DE ENCENDIDO: Apriete el gatillo, oprima el botón y suelte el gatillo.

PARA DESBLOQUEAR EL INTERRUPTOR: Apriete el gatillo y suéltelo sin oprimir el botón de "Fijación en ON".

⚠ ADVERTENCIA Si se oprime continuamente el botón de "Fijación en ON", no se puede soltar el gatillo.

En el modelo 1617, sostenga la herramienta con las dos manos mientras la pone en marcha, ya que el par de giro del motor puede hacer que la herramienta se tuerza.

DISPOSITIVO DE ARRANQUE SUAVE (Modelos 1617EVS y 1618EVS únicamente)

El control electrónico de retroacción minimiza la torsión debida al par motor habitual en las fresadoras más grandes, al limitar la velocidad a la que el motor arranca.

CONTROL ELECTRONICO DE VELOCIDAD VARIABLE (Modelos 1617EVS y 1618EVS únicamente)

El dispositivo de control electrónico de velocidad permite que la velocidad del motor se haga corresponder con el tamaño del cortador y la dureza del material a fin de proporcionar un acabado mejor, prolongar la vida de la broca y producir un rendimiento mayor. Los cambios de velocidad se logran girando el dial de control hacia la DERECHA para aumentar la velocidad y hacia la IZQUIERDA par reducirla, según se indica en la caja protectora (Fig. 1). La velocidad se puede cambiar mientras la herramienta está encendida. Los números de referencia del dial facilitan el cambio de posición del control a la velocidad deseada.

El cuadro de velocidades indica la relación entre las posiciones y la aplicación. Las posiciones exactas son determinadas por la experiencia y preferencia del operador. El fabricante de la broca también puede tener una recomendación de velocidades.

POSICIÓN DEL DIAL	RPM	APLICACIÓN
1	8,000	} Metales no ferrosos, brocas de diámetro más grande y cortadores
2	13,500	
3	16,500	
4	20,000	} Maderas blandas, plásticos, tableros de mostrador, brocas de diámetro más pequeño y cortadores
5	21,500	
6	25,000	

CIRCUITERÍA CONSTANT RESPONSE™ (Modelos 1617EVS y 1618EVS únicamente)

La circuitería de respuesta constante Constant Response™ de la fresadora vigila y ajusta la potencia para mantener las RPM deseadas con el fin de lograr un rendimiento y un control uniformes.



AVANCE DE LA FRESADORA

Tal como se ve desde la parte de arriba de la fresadora, la broca gira en el sentido de las agujas del reloj y los bordes de corte están orientados correspondientemente. Por lo tanto, el corte más eficaz se realiza haciendo avanzar la fresadora de manera que la broca gire hacia la pieza de trabajo, no alejándose de ésta. En la Figura 14 se muestra el avance apropiado para varios cortes. La velocidad de avance depende de la dureza del material y del tamaño del corte. Para algunos materiales, es mejor hacer varios cortes cada vez más profundos.

Si es difícil controlar la fresadora o si la fresadora se calienta, funciona muy lentamente o deja un corte imperfecto, considere estas causas:

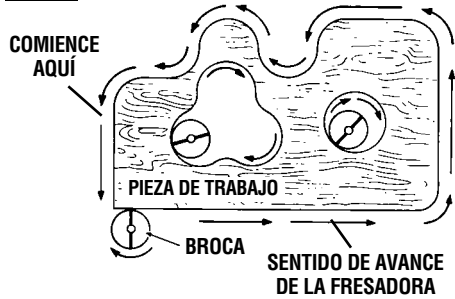
1. Sentido de avance incorrecto: difícil de controlar.
2. Avance demasiado rápido: sobrecarga el motor.
3. Broca desafilada: sobrecarga el motor.
4. El corte es demasiado grande para una pasada: sobrecarga el motor.
5. Avance demasiado lento: deja quemaduras por fricción en la pieza de trabajo.

Haga avanzar suave y firmemente la fresadora (no la fuerce). Pronto aprenderá el sonido y la sensación de la fresadora cuando está funcionando mejor.

VELOCIDAD DE AVANCE

Al fresar o realizar trabajo relacionado en madera y plásticos, los mejores acabados se obtendrán si la

FIG. 14



profundidad de corte y la velocidad de avance se regulan para mantener el motor funcionando a alta velocidad. Haga avanzar la fresadora a una velocidad moderada. Los materiales blandos requieren una velocidad de avance más rápida que los materiales duros.

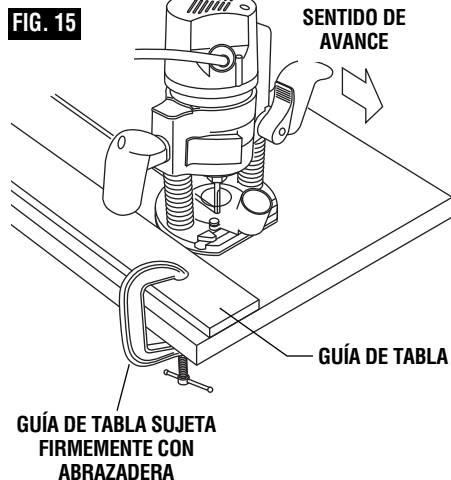
Es posible que la fresadora se detenga si se utiliza inapropiadamente o si se sobrecarga. Reduzca la velocidad de avance para evitar daños posibles a la herramienta. Asegúrese siempre de que el mandril portaherramienta esté apretado firmemente antes de utilizar la herramienta. Utilice siempre brocas de fresadora con la longitud de corte más corta necesaria para producir el corte deseado. Esto minimizará el descentrado y el rechinamiento de la broca de fresadora.

GUIADO DE LA FRESADORA

La fresadora puede guiarse por la pieza de trabajo de cualquiera de varias maneras. El método que usted utilice depende, por supuesto, de las exigencias del trabajo específico y de la conveniencia.

Para operaciones de fresado como ranurado o mortajado, a menudo es necesario guiar la herramienta en una línea paralela a un borde recto. Un método de obtener un corte recto es sujetar firmemente un tabla u otro borde recto a la superficie de la pieza de trabajo y guiar el borde de la subbase de la fresadora a lo largo de esta trayectoria (Fig. 15).

FIG. 15



RECOLECCIÓN DE POLVO DE LA FRESADORA

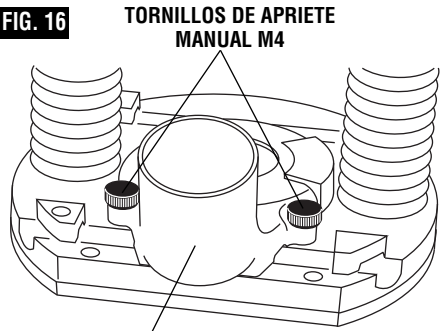
Hay tres accesorios de cubierta de extracción de polvo opcionales. Cada cubierta de extracción de polvo está dimensionada para aceptar mangueras de aspiración de 35 mm. Cada paquete de accesorios incluye el adaptador VAC002 que conectará la cubierta a mangueras de aspiración de 1-1/4" y 1-1/2". También hay disponible por separado un adaptador para conectar la cubierta a mangueras de 2-1/2".

RECOLECCIÓN DE POLVO DE LA FRESADORA PARA LA BASE DE DESCENSO VERTICAL

Esta cubierta de extracción de polvo RA1174 está diseñada para utilizarse con la base de descenso vertical (RA1166) cuando el fresado se realiza en el centro de la pieza de trabajo, como por ejemplo al crear ranuras o fresar patrones para incrustaciones. Si usted tiene un sistema de aspiración de taller, puede acoplar la cubierta de extracción de polvo para mejorar la visibilidad, la precisión y la utilidad, especialmente en el fresado a pulso.

Para acoplar la cubierta, posicónela de la manera que se muestra en la ilustración y sujete firmemente el adaptador a la base con los tornillos de apriete manual suministrados (Fig. 16).

FIG. 16



CUBIERTA DE EXTRACCIÓN DE POLVO

La cubierta de extracción de polvo también puede instalarse con la salida para manguera orientada hacia la parte delantera de la herramienta. Si el adaptador de guías de plantilla está instalado, será necesario invertirlo o quitarlo para permitir que la palanca de suelta quepa debajo de la cubierta para polvo.

CUBIERTA DE EXTRACCIÓN DE POLVO PARA EL LADO TRASERO DE LA BASE FIJA

ADVERTENCIA Lea y entienda estas instrucciones y el manual de la herramienta para el uso de estos accesorios.

No ponga las manos en el área de la broca mientras la fresadora esté encendida o enchufada.

PRECAUCIÓN Para evitar enredar las mangueras, no utilice esta cubierta de extracción de polvo al mismo tiempo que otra cubierta de extracción de polvo.

Esta cubierta de extracción de polvo está diseñada para utilizarse con las fresadoras Bosch 1617, 1617EVS y 1618EVS, así como con sus bases fijas, cuando el fresado se realiza en el centro de la pieza de trabajo, como por ejemplo al crear ranuras o fresar patrones para incrustaciones.

Para colocar la cubierta en la base de la fresadora, deslice la cubierta hacia el interior del lado trasero de la base de la fresadora, alrededor de la varilla de ajuste de profundidad de la fresadora, con las esquinas redondeadas de la cubierta orientadas hacia arriba (Fig. 17 y 18). Apriete firmemente los dos tornillos estriados de apriete manual.

UTILIZACIÓN DE LA CUBIERTA DE EXTRACCIÓN DE POLVO

Para lograr la máxima eficacia de recolección de polvo, asegúrese de que el escudo antivirutas de la fresadora esté colocado en su sitio.

FIG. 17

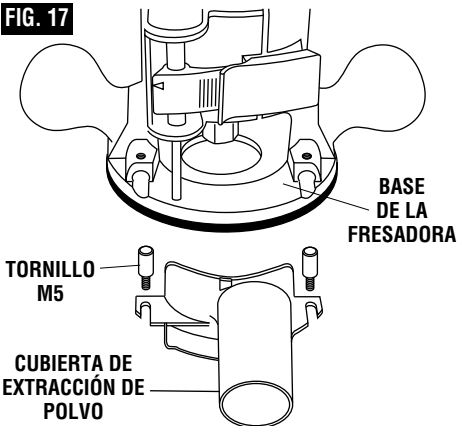
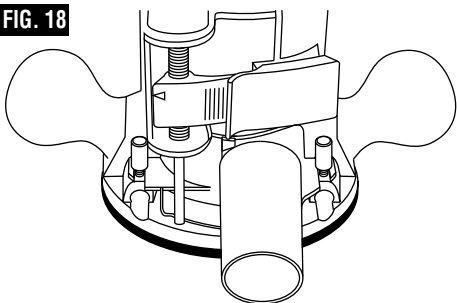


FIG. 18



RECOLECCIÓN DE POLVO AL CONFORMAR BORDES

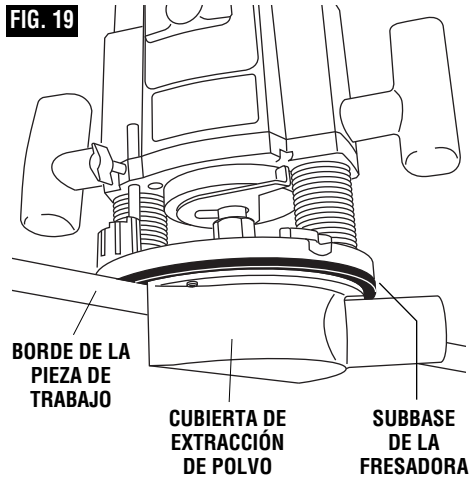
⚠ ADVERTENCIA No ponga las manos en el área de la broca mientras la fresadora esté encendida o enchufada. Para evitar enredar las mangueras, no utilice esta cubierta de extracción de polvo al mismo tiempo que otra cubierta de extracción de polvo.

Esta cubierta de extracción de polvo (accesorio opcional) se utiliza para la recolección de polvo al conformar bordes (Fig. 24).

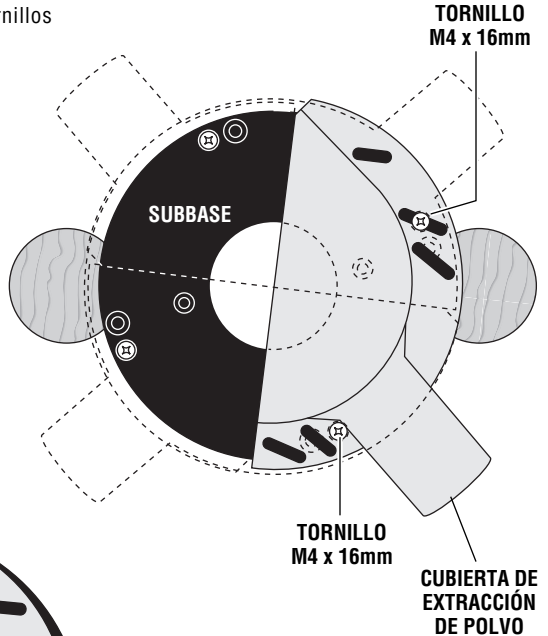
COLOCACIÓN DE LA CUBIERTA DE EXTRACCIÓN DE POLVO

Usted puede colocar la cubierta para conformado de bordes en varios lugares de acuerdo con sus necesidades o preferencias. Esta cubierta se coloca utilizando dos de los agujeros para tornillo que están en la base de fresadora que se utilizan para sujetar la subbase de la fresadora. Seleccione la ubicación deseada para la cubierta. Afloje y quite los dos tornillos de la base de la fresadora y coloque la cubierta de extracción de polvo –sobre la subbase de la fresadora– utilizando los tornillos suministrados con la cubierta. Apriete firmemente los tornillos (Figuras 20 y 21.)

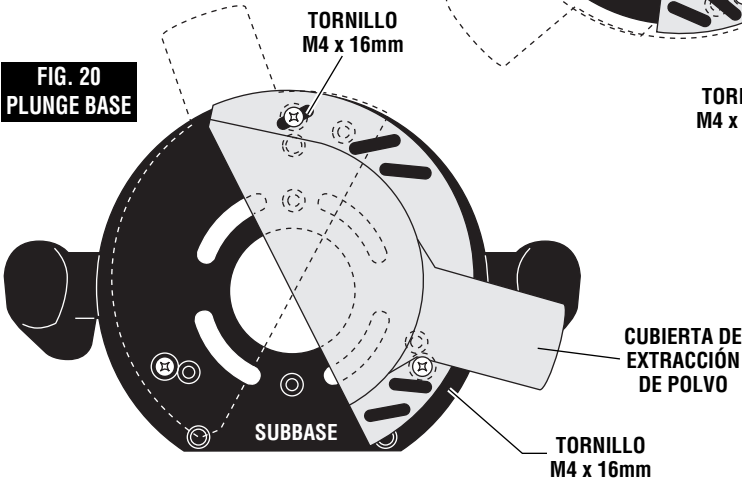
FIG. 19



**FIG. 21
OTHER BASES**



**FIG. 20
PLUNGE BASE**



GUÍA DE FRESADORA DE LUJO (No incluida, disponible como accesorio)

La guía de fresadora de lujo Bosch es un accesorio opcional que guiará la fresadora paralela a un borde recto o le permitirá a usted crear círculos y arcos.

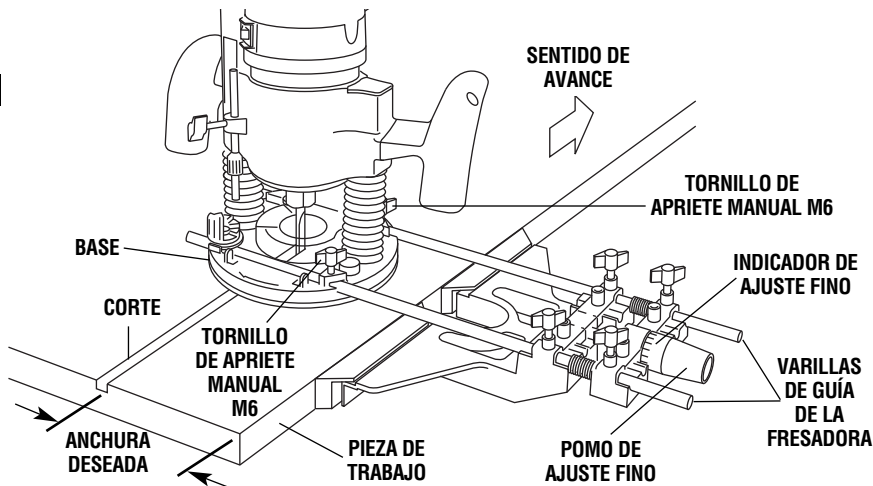
La guía de fresadora de lujo se suministra con dos varillas y tornillos para sujetar dicha guía (Fig. 22). Además, cuenta con un pomo y un indicador de ajuste fino para posicionar con precisión la guía de borde en relación con la broca. Con la guía instalada y ajustada, la fresadora debe hacerse avanzar normalmente, manteniendo la guía en contacto con el

borde de la pieza de trabajo en todo momento. La guía de fresadora de lujo también puede posicionarse directamente debajo de la base de la fresadora para realizar operaciones donde se necesite un corte cerca del borde de la pieza de trabajo o en dicho borde.

La guía de fresadora de lujo incluye una cubierta de extracción de polvo y el adaptador de manguera de aspiración VAC002.

Para obtener instrucciones completas de instalación y funcionamiento, sírvase consultar las instrucciones que se incluyen con este accesorio.

FIG. 23



GUÍAS DE PLANTILLA

Esta fresadora también se puede utilizar con el sistema de guías de plantilla de cambio rápido opcional exclusivo de Bosch, el cual agarra firmemente las guías con un anillo accionado por resorte. A diferencia de las guías de plantilla roscadas convencionales, no hay anillo roscado que se pueda aflojar durante la operación de fresado.

Las guías de plantilla se utilizan con varios accesorios especiales, tales como plantillas de bisagra, que se indican en el catálogo BOSCH. Además, se preparan fácilmente plantillas especiales para cortar patrones repetidos, diseños especiales, incrustaciones y otras aplicaciones. Un patrón de plantilla se puede hacer de madera contrachapada, tablero de aglomerado, metal o incluso plástico, y el diseño se puede cortar con una fresadora, una sierra caladora u otra herramienta de corte adecuada. Recuerde que el patrón se tendrá que hacer de manera que se compense la distancia entre la broca de fresadora y la guía de plantilla (la "desviación"), ya que la pieza de trabajo final diferirá en tamaño del patrón de plantilla en esa cantidad, debido a la posición de la broca (Fig. 17).

FIG. 23

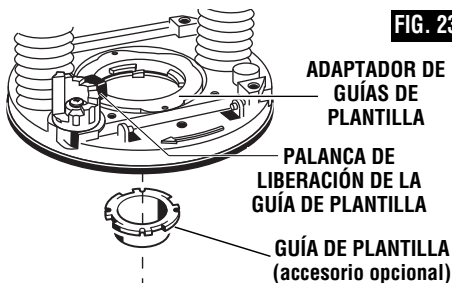
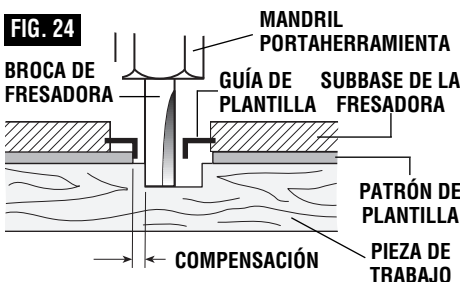


FIG. 24



INSTALACIÓN DEL ADAPTADOR DE GUÍAS DE PLANTILLA

(No incluida, disponible como accesorio)

Coloque el adaptador de guías de plantilla sobre los agujeros del centro de la subbase y alinee los dos agujeros roscados de la parte inferior del adaptador con los agujeros contraavellanados de la subbase. Sujete el adaptador con los tornillos suministrados. Tenga en cuenta que el adaptador es reversible, así que la palanca de liberación puede posicionarse como se desee (Fig. 25).

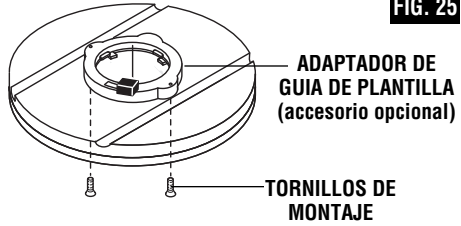


FIG. 25

CENTRADO DE LA SUBBASE O LAS GUÍAS DE PLANTILLA

La fresadora cuenta con el "Diseño de centrado de precisión" Bosch. Su subbase se centra con precisión en la fábrica. Esto posiciona la broca en el centro de la subbase y las guías de plantilla opcionales.

El centrado de precisión le permite a usted utilizar el borde de la subbase o las guías de plantilla para seguir de cerca posicionadores tales como guías rectas, plantillas y dispositivos de cola de milano sin preocuparse por desviarse de la línea de corte deseada por cualquier motivo, inclusive la orientación de las agarra-doras de la fresadora en relación con el posicionador.

Para recentrar rápidamente la subbase, coloque la subbase utilizando el conjunto de tornillos de cabeza plana (incluidos) y los agujeros para tornillos de cabeza avellanada que están en la subbase. (Los tornillos de cabeza plana tienen las cabezas cónicas). Los tornillos de cabeza plana y los agujeros para tornillos de cabeza

avellanada tirarán de la subbase hasta una posición que estará muy próxima a centrada.

Para recentrar con la mayor precisión la subbase o las guías de plantilla, instale la subbase utilizando el dispositivo de centrado Bosch RA1151 opcional. Siga los pasos 1-8 (Fig. 26 y 27).

1. Si se va a centrar una guía de plantilla, instale el adaptador de guías de plantilla y la guía de plantilla (aditamentos opcionales) tal y como se describe en otra parte de este manual.
2. Posicione la subbase de manera que sus agujeros para tornillos de cabeza troncocónica estén sobre el grupo coincidente de agujeros roscados ubicados en la base.
3. Inserte los tornillos de cabeza troncocónica a través de la subbase y apriételes hasta que estén perfectamente ajustados, pero aún permitan que la subbase se mueva.

CONO DE CENTRADO (accesorio opcional)

EJE DEL DISPOSITIVO DE CENTRADO (accesorio opcional)

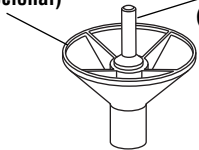
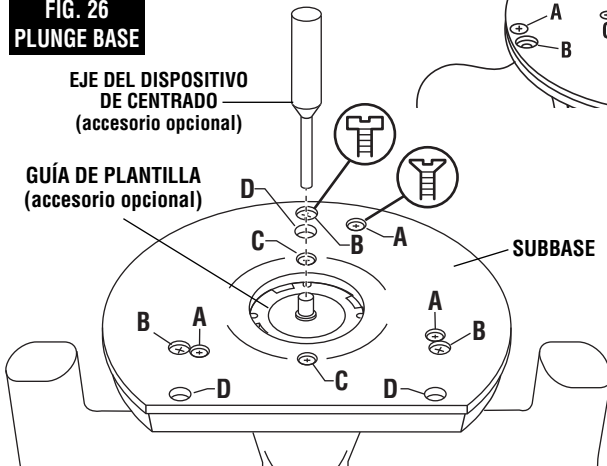


FIG. 27 OTHER BASES

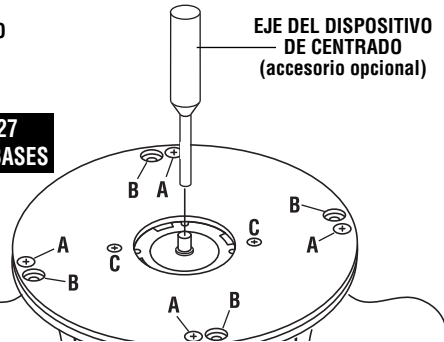
FIG. 26 PLUNGE BASE

EJE DEL DISPOSITIVO DE CENTRADO (accesorio opcional)

GUÍA DE PLANTILLA (accesorio opcional)



EJE DEL DISPOSITIVO DE CENTRADO (accesorio opcional)



- A = AGUJEROS PARA TORNILLOS DE CABEZA AVELLANADA M4
- B = AGUJEROS PARA TORNILLOS DE CABEZA TRONCOCÓNICA M4
- C = AGUJEROS PARA TORNILLOS DE ADAPTADOR DE GUÍAS DE PLANTILLA
- D = AGUJEROS PARA SUJETAR LA FRESADORA A LA PLACA DE MONTAJE DE LA MESA DE FRESADORA

4. Prepare el dispositivo de centrado:

- Utilice el extremo estrecho del eje de acero cuando realice la inserción en un portaherramienta de 1/4 de pulgada, y el extremo más ancho del cono cuando realice la inserción en un portaherramienta de 1/2 pulgada.
- Cuando centre la subbase o una guía de plantilla que tenga una abertura de más de 1/2 pulgada, deslice el manguito de plástico ancho sobre el eje de acero.

5. Deslice el cono centrador a través de la subbase o la guía de plantilla y al interior del portaherramienta.

Apriete la tuerca del portaherramienta con los dedos para poner un ligero agarre en el cono centrador.

6. Presione ligeramente el cono centrador en interior de la subbase o de la guía de plantilla para realizar el centrado.
7. Apriete los tornillos de cabeza troncocónica. Retire el cono centrador.
8. El centrado de precisión de la subbase o de la guía de plantilla ha quedado completado.

CONO CENTRADOR: Se utiliza cuando se centra la propia subbase o guías de plantilla anchas.

TAMAÑO MÁXIMO DE BROCA/CORTADOR PARA LAS GUÍAS DE PLANTILLA

Cuando utilice una guía de plantilla, use únicamente una broca de fresadora con cortadores que midan 1/16 de pulgada menos que el diámetro interno de la guía de plantilla, tal y como se indica en la tabla que aparece a continuación.

USO CON GUÍAS DE PLANTILLA ROSCADAS

También se encuentra disponible como accesorio opcional un adaptador adicional, el RA1100, que permite el uso de guías de plantilla roscadas convencionales con el sistema de liberación rápida Bosch.

Guía de plantilla Bosch	Profundidad del casquillo	Diámetro externo	Diámetro interno	Diámetro máximo de la broca/cortador
	A	B	B	
RA1101	3/16"	5/16"	1/4"	3/16"
RA1103	9/64"	5/16"	17/64"	13/64"
RA1105	9/64"	7/16"	3/8"	5/16"
RA1107	5/16"	7/16"	3/8"	5/16"
RA1109	7/16"	1/2"	13/32"	11/32"
RA1111	3/16"	5/8"	17/32"	15/32"
RA1113	1/2"	5/8"	17/32"	15/32"
RA1115	3/16"	3/4"	21/32"	19/32"
RA1117	31/64"	13/16"	5/8"	9/16"
RA1119	31/64"	1"	25/32"	21/32"
RA1121	7/16"	1-3/8"	1-19/64"	1-15/64"

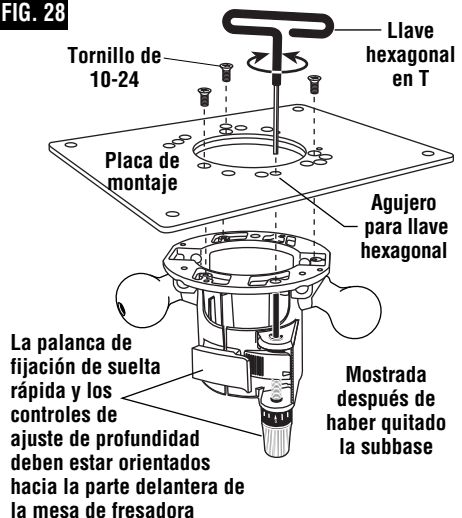
USO EN UNA MESA DE FRESADORA

La fresadora también puede utilizarse en una mesa de fresadora. La base fija RA1161 está diseñada para permitir ajustar fácilmente la profundidad en una mesa. La base de mango en D tipo "D" RA1162 no cabrá en la mayoría de mesas de fresadora.

PRECAUCIÓN La base de descenso vertical RA1166 no se recomienda para utilizarse en una mesa de fresadora. Podrían producirse daños en la base de fresadora de descenso vertical.

Para eliminar la molestia de instalar la propia base de la fresadora en la mesa de fresadora y luego tener que convertirla de vuelta para la utilización sin mesa, Bosch ofrece la base de fresadora para debajo de la mesa RA1165 opcional (Fig. 28). La base RA1165 está diseñada para estar colocada permanentemente en la mesa de fresadora, dejando las otras bases de fresadora listas para su utilización sin mesa. El motor puede moverse rápidamente de una base a otra, ¡sin ninguna herramienta!

FIG. 28



Para obtener instrucciones completas sobre la utilización de una fresadora en una mesa de fresadora, así como una llave hexagonal en T para ajustar la profundidad por encima de la mesa.

SUJECIÓN DE LA BASE A LA PLACA DE MONTAJE

Sujete la RA1161 a la placa de montaje de la mesa de fresadora utilizando cualquiera de los dos juegos de tornillos de montaje incluidos o ambos juegos.

La base tiene dos grupos de agujeros roscados para montar la base:

- Tres agujeros 10-24 en el patrón de 3 agujeros estándar de la industria.
- Cuatro agujeros M4 en el patrón de 4 agujeros Bosch.

Tornillos de montaje requeridos para la RA1161: (no incluidos con todos los modelos)

- Tres tornillos 10-24.
- Cuatro tornillos M4.

La longitud dependerá del grosor de su mesa de fresadora o de la placa de montaje de la mesa de fresadora.

Si la placa de montaje de su mesa de fresadora no tiene agujeros avellanados en alguno de esos dos patrones, usted tendrá que determinar las ubicaciones de los agujeros, hacer y avellanar dichos agujeros, y también ubicar y hacer un agujero para la llave de ajuste sobre la mesa.

CONECTE DE LA FRESADORA Y EL INTERRUPTOR DE LA MESA DE FRESADORA

Preparación para usar el interruptor.

1. Asegúrese de que el interruptor de la fresadora y el interruptor de la mesa de fresadora estén en la posición de apagado.
2. Enchufe el cable del interruptor de la mesa de fresadora a un tomacorriente de pared.
3. Enchufe la fresadora en el receptáculo "enrollado en espiral" del interruptor de la mesa de fresadora.

4. Fije el interruptor en la posición de encendido: apriete el gatillo, oprima el botón de fijación en encendido y suelte el gatillo.
5. Use el interruptor de la mesa de fresadora para arrancar y parar la fresadora.

AJUSTE DE PROFUNDIDAD (Ver la página 58 y 59)

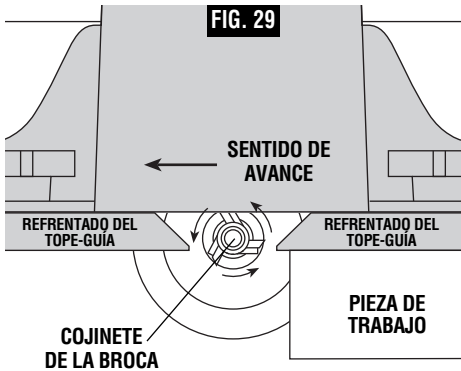
AVANCE DE LA PIEZA DE TRABAJO SOBRE UNA MESA DE FRESADORA

Utilice siempre el tope-guía o el pasador de inicio de la mesa de fresadora y el protector adecuado, y siga el manual de instrucciones de la mesa de fresadora. Haga avanzar SIEMPRE la pieza de trabajo de derecha a izquierda a través de la parte delantera de la broca. En las mesas de fresadora Bosch, el sentido de avance correcto también se muestra en la carcasa del tope-guía y en las tablas de canto biselado, cuando se han instalado correctamente (Fig. 29).

Siempre que sea posible, cuando esté utilizando el tope-guía, use un palo de empujar para empujar la pieza de trabajo, especialmente cuando trabaje con piezas estrechas.

VISTA SUPERIOR

NOTA: Para mayor claridad, el protector y la tabla de canto biselado se han quitado del dibujo.



Mantenimiento

Servicio

⚠ ADVERTENCIA El mantenimiento preventivo realizado por personal no autorizado puede dar lugar a la colocación incorrecta de cables y componentes internos que podría constituir un peligro serio. Recomendamos que todo el servicio de las herramientas sea realizado por un Centro de servicio de fábrica Bosch o por una Estación de servicio Bosch autorizada.

LUBRICACIÓN DE LAS HERRAMIENTAS

Su herramienta Bosch ha sido lubricada adecuadamente y está lista para la utilización. Se recomienda que las herramientas con engranajes se vuelvan a engrasar con un lubricante especial para engranajes en cada cambio de escobillas.

ESCOBILLAS DE CARBÓN

Las escobillas y el conmutador de la herramienta han sido diseñados para muchas horas de servicio fiable. Para mantener un rendimiento óptimo del motor, recomendamos que cada dos a seis meses se examinen las escobillas. Sólo se deben usar escobillas de repuesto Bosch genuinas diseñadas específicamente para su herramienta.

RODAMIENTOS

Después de 300-400 horas de funcionamiento, o después de cada segundo cambio de escobillas, los

rodamientos deben cambiarse en un Centro de servicio de fábrica Bosch o en una Estación de servicio Bosch autorizada. Los rodamientos que se vuelven ruidosos (debido a la pesada carga o al corte de materiales muy abrasivos) deben ser sustituidos inmediatamente para evitar el sobrecalentamiento o el fallo del motor.

Limpieza

⚠ ADVERTENCIA Para evitar accidentes desconecte siempre la herramienta de la fuente de energía antes de la limpieza o de la realización de cualquier mantenimiento. La herramienta se puede limpiar más eficazmente con aire comprimido seco. Use gafas de seguridad siempre que limpie herramientas con aire comprimido.

Las aberturas de ventilación y las palancas de interruptor deben mantenerse limpias y libres de materias extrañas. No intente limpiar introduciendo objetos puntiagudos a través de las aberturas.

⚠ PRECAUCION Ciertos agentes de limpieza y disolventes dañan las piezas de plástico. Algunos de estos son: gasolina, tetracloruro de carbono, disolventes de limpieza clorados, amoníaco y detergentes domésticos que contienen amoníaco.

Cordones de extensión

⚠ ADVERTENCIA Si es necesario un cordón de extensión, se debe usar un cordón con conductores de tamaño adecuado que sea capaz de transportar la corriente necesaria para la herramienta. Esto evitará caídas de tensión excesivas, pérdida de potencia o recalentamiento. Las herramientas conectadas a tierra deben usar cordones de extensión de 3 hilos que tengan enchufes de 3 terminales y receptáculos para 3 terminales.

NOTA: Cuanto más pequeño es el número de calibre, más grueso es el cordón.

TAMAÑOS RECOMENDADOS DE CORDONES DE EXTENSION HERRAMIENTAS DE 120 V CORRIENTE ALTERNA

Capacidad nominal en amperes de la herramienta	Tamaño del cordón en A.W.G.				Tamaños del cable en mm ²			
	Longitud del cordón en pies				Longitud del cordón en metros			
	25	50	100	150	15	30	60	120
3-6	18	16	16	14	0,75	0,75	1,5	2,5
6-8	18	16	14	12	0,75	1,0	2,5	4,0
8-10	18	16	14	12	0,75	1,0	2,5	4,0
10-12	16	16	14	12	1,0	2,5	4,0	—
12-16	14	12	—	—	—	—	—	—

Accesorios

Mandril portaherramienta de 1/4" *

Mandril portaherramienta de 1/2" *

Llave de tuerca para el eje de 16 mm *

Llave de tuerca para la tuerca del portaherramienta de 24 mm *

Llave hexagonal en T (estándar con la 1617EVS y la 1617EVSPK solamente)

Mandril portaherramienta de 3/8" **

Mandril portaherramienta de 8 mm **

Guía de fresadora de lujo **

Dispositivo de centrado **

Estuche de transporte (estándar con la 1617K, 1617EVSK y 1617EVSPK solamente)

Cubierta de extracción de polvo **

Cubierta de extracción de polvo para conformado de bordes **

Extensión de control de ajuste fino **

Base para debajo de la mesa con extensión de control de ajuste fino **

Mesas de fresadora **

Guías de plantilla de suelta rápida **

Adaptador de guías de plantilla **

Adaptador para guías de plantilla de estilo estándar **

Torreta de tope de profundidad ajustable **

(* = equipo estándar)

(** = accesorios opcionales)



Notes:

Remarques :

Notas:



LIMITED WARRANTY OF BOSCH PORTABLE AND BENCHTOP POWER TOOLS

Robert Bosch Tool Corporation ("Seller") warrants to the original purchaser only, that all BOSCH portable and benchtop power tools will be free from defects in material or workmanship for a period of one year from date of purchase. SELLER'S SOLE OBLIGATION AND YOUR EXCLUSIVE REMEDY under this Limited Warranty and, to the extent permitted by law, any warranty or condition implied by law, shall be the repair or replacement of parts, without charge, which are defective in material or workmanship and which have not been misused, carelessly handled, or misrepaired by persons other than Seller or Authorized Service Station. To make a claim under this Limited Warranty, you must return the complete portable or benchtop power tool product, transportation prepaid, to any BOSCH Factory Service Center or Authorized Service Station. For Authorized BOSCH Power Tool Service Stations, please refer to your phone directory.

THIS LIMITED WARRANTY DOES NOT APPLY TO ACCESSORY ITEMS SUCH AS CIRCULAR SAW BLADES, DRILL BITS, ROUTER BITS, JIGSAW BLADES, SANDING BELTS, GRINDING WHEELS AND OTHER RELATED ITEMS.

ANY IMPLIED WARRANTIES SHALL BE LIMITED IN DURATION TO ONE YEAR FROM DATE OF PURCHASE. SOME STATES IN THE U.S., SOME CANADIAN PROVINCES DO NOT ALLOW LIMITATIONS ON HOW LONG AN IMPLIED WARRANTY LASTS, SO THE ABOVE LIMITATION MAY NOT APPLY TO YOU.

IN NO EVENT SHALL SELLER BE LIABLE FOR ANY INCIDENTAL OR CONSEQUENTIAL DAMAGES (INCLUDING BUT NOT LIMITED TO LIABILITY FOR LOSS OF PROFITS) ARISING FROM THE SALE OR USE OF THIS PRODUCT. SOME STATES IN THE U.S. AND SOME CANADIAN PROVINCES DO NOT ALLOW THE EXCLUSION OR LIMITATION OF INCIDENTAL OR CONSEQUENTIAL DAMAGES, SO THE ABOVE LIMITATION OR EXCLUSION MAY NOT APPLY TO YOU.

THIS LIMITED WARRANTY GIVES YOU SPECIFIC LEGAL RIGHTS, AND YOU MAY ALSO HAVE OTHER RIGHTS WHICH VARY FROM STATE TO STATE IN THE U.S., PROVINCE TO PROVINCE IN CANADA AND FROM COUNTRY TO COUNTRY.

THIS LIMITED WARRANTY APPLIES ONLY TO PORTABLE AND BENCHTOP ELECTRIC TOOLS SOLD WITHIN THE UNITED STATES OF AMERICA, CANADA AND THE COMMONWEALTH OF PUERTO RICO. FOR WARRANTY COVERAGE WITHIN OTHER COUNTRIES, CONTACT YOUR LOCAL BOSCH DEALER OR IMPORTER.

GARANTIE LIMITÉE DES OUTILS ÉLECTRIQUES PORTATIFS ET D'ÉTABLI BOSCH

Robert Bosch Tool Corporation (le « vendeur ») garantit à l'acheteur initial seulement que tous les outils électriques portatifs et d'établi BOSCH seront exempts de vices de matériaux ou d'exécution pendant une période d'un an depuis la date d'achat. LA SEULE OBLIGATION DU VENDEUR ET LE SEUL RECOURS DE L'ACHETEUR sous la présente garantie limitée, et en autant que la loi le permette sous toute garantie ou condition implicite qui en découlerait, sera l'obligation de remplacer ou réparer gratuitement les pièces défectueuses matériellement ou comme fabrication, pourvu que lesdites défectosités ne soient pas attribuables à un usage abusif ou à quelque réparation bricolée par quelqu'un d'autre que le vendeur ou le personnel d'une station-service agréée. Pour présenter une réclamation en vertu de cette garantie limitée, vous devez renvoyer l'outil électrique portatif ou d'établi complet, port payé, à tout centre de service agréé ou centre de service usine. Veuillez consulter votre annuaire téléphonique pour les adresses.

LA PRÉSENTE GARANTIE NE S'APPLIQUE PAS AUX ACCESSOIRES TELS QUE LAMES DE SCIES CIRCULAIRES, MÊCHES DE PERCEUSES, FERS DE TROUPES, LAMES DE SCIES SAUTEUSES, COURROIS DE PONÇAGE, MEULES ET AUTRES ARTICLES DU GENRE.

TOUTE GARANTIE IMPLICITE SERA LIMITÉE COMME DURÉE À UN AN À COMPTER DE LA DATE D'ACHAT. CERTAINS ÉTATS AMÉRICAINS, CERTAINES PROVINCES CANADIENNES N'ADMETTANT PAS LE PRINCIPE DE LA LIMITATION DE LA DURÉE DES GARANTIES IMPLICITES, IL EST POSSIBLE QUE LES LIMITATIONS CI-DESSUS NE S'APPLIQUENT PAS À VOTRE CAS.

EN AUCUN CAS LE VENDEUR NE SAURAIT ÊTRE TENU POUR RESPONSABLE DES INCIDENTS OU DOMMAGES INDIRECTS (INCLUANT, MAIS NE SE LIMITANT PAS AUX PERTES DE PROFITS) CONSÉCUTIFS À LA VENTE OU L'USAGE DE CE PRODUIT. CERTAINS ÉTATS AMÉRICAINS ET CERTAINES PROVINCES CANADIENNES N'ADMETTANT PAS LE PRINCIPE DE LA LIMITATION NI L'EXCLUSION DES DOMMAGES INDIRECTS ET CONSÉQUENTIELS, IL EST POSSIBLE QUE LES LIMITATIONS OU EXCLUSIONS CI-DESSUS NE S'APPLIQUENT PAS À VOTRE CAS.

LA PRÉSENTE GARANTIE VOUS ACCORDE DES DROITS BIEN DÉTERMINÉS, Y COMPRIS POSSIBLEMENT CERTAINS DROITS VARIABLES DANS LES DIFFÉRENTS ÉTATS AMÉRICAINS, PROVINCES CANADIENNE ET DE PAYS À PAYS.

CETTE GARANTIE LIMITÉE NE S'APPLIQUE QU'AUX OUTILS ÉLECTRIQUES PORTATIFS ET D'ÉTABLI VENDUS AUX ÉTATS-UNIS D'AMÉRIQUE, AU CANADA ET AU COMMONWEALTH DE PORTO RICO. POUR COUVERTURE DE GARANTIE DANS LES AUTRES PAYS, CONTACTEZ VOTRE IMPORTATEUR OU REVENDEUR BOSCH LOCAL.

GARANTIA LIMITADA PARA HERRAMIENTAS MECANICAS PORTATILES Y PARA TABLERO DE BANCO BOSCH

Robert Bosch Tool Corporation ("el Vendedor") garantiza, únicamente al comprador original, que todas las herramientas mecánicas portátiles y para tablero de banco BOSCH estarán libres de defectos de material o de fabricación durante un periodo de un año a partir de la fecha de compra. LA ÚNICA OBLIGACION DEL VENDEADOR Y EL RECURSO EXCLUSIVO QUE USTED TIENE bajo esta Garantía Limitada y, hasta donde la ley lo permita, bajo cualquier garantía o condición implícita por ley, consistirá en la reparación o sustitución sin costo de las piezas que presenten defectos de material o de fabricación y que no hayan sido utilizadas incorrectamente, manejadas descuidadamente o reparadas incorrectamente por personas que no sean el Vendedor o una Estación de servicio autorizada. Para efectuar una reclamación bajo esta Garantía Limitada, usted debe devolver el producto, que consiste en la herramienta mecánica portátil o para tablero de banco completa, con el transporte pagado, a cualquier Centro de servicio de fábrica o Estación de servicio autorizada. Para Estaciones de servicio autorizadas de herramientas mecánicas BOSCH, por favor, consulte el directorio telefónico.

ESTA GARANTIA LIMITADA NO SE APLICA A ARTICULOS ACCESORIOS TALES COMO HOJAS PARA SIERRAS CIRCULARES, BROCAS PARA TALADROS, BROCAS PARA FRESADORAS, HOJAS PARA SIERRAS DE VAIVEN, CORREAS PARA LIJAR, RUEDAS DE AMOLAR Y OTROS ARTICULOS RELACIONADOS.

TODAS LAS GARANTIAS IMPLICITAS TENDRAN UNA DURACION LIMITADA A UN AÑO A PARTIR DE LA FECHA DE COMPRA. ALGUNOS ESTADOS DE LOS EE.UU. Y ALGUNAS PROVINCIAS CANADIENSES NO PERMITEN LIMITACIONES EN CUANTO A LA DURACION DE UNA GARANTIA IMPLICITA, POR LO QUE ES POSIBLE QUE LA LIMITACION ANTERIOR NO SEA APLICABLE EN EL CASO DE USTED.

EL VENDEADOR NO SERA RESPONSABLE EN NINGUN CASO DE NINGUN DAÑO INCIDENTAL O EMERGENTE (INCLUYENDO PERO NO LIMITADO A RESPONSABILIDAD POR PERDIDA DE BENEFICIOS) QUE SE PRODUZCA COMO CONSECUENCIA DE LA VENTA O UTILIZACION DE ESTE PRODUCTO. ALGUNOS ESTADOS DE LOS EE.UU. Y ALGUNAS PROVINCIAS CANADIENSES NO PERMITEN LA EXCLUSION O LIMITACION DE LOS DAÑOS INCIDENTALES O EMERGENTES, POR LO QUE ES POSIBLE QUE LA LIMITACION O EXCLUSION ANTERIOR NO SEA APLICABLE EN EL CASO DE USTED.

ESTA GARANTIA LIMITADA LE CONFIERE A USTED DERECHOS LEGALES ESPECIFICOS Y ES POSIBLE QUE USTED TAMBIEN TENGA OTROS DERECHOS QUE VARIAN DE ESTADO A ESTADO EN LOS EE.UU., DE PROVINCIA A PROVINCIA EN CANADA Y DE UN PAIS A OTRO.

ESTA GARANTIA LIMITADA SE APLICA SOLAMENTE A HERRAMIENTAS ELECTRICAS PORTATILES Y PARA TABLERO DE BANCO VENDIDAS EN LOS ESTADOS UNIDOS DE AMERICA, CANADA Y EL ESTADO LIBRE ASOCIADO DE PUERTO RICO. PARA COBERTURA DE GARANTIA EN OTROS PAISES, PONGASE EN CONTACTO CON SU DISTRIBUIDOR O IMPORTADOR LOCAL DE BOSCH.

© Robert Bosch Tool Corporation 1800 W. Central Road Mt. Prospect, IL 60056-2230

Exportado por: Robert Bosch Tool Corporation Mt. Prospect, IL 60056-2230, E.U.A.

Importado en México por: Robert Bosch, S.A. de C.V., Calle Robert Bosch No. 405, Zona Industrial, Toluca, Edo. de México, C.P. 50070, Tel. (722) 2792300



2 6 1 0 0 1 8 5 3 2

2610018532 01/12