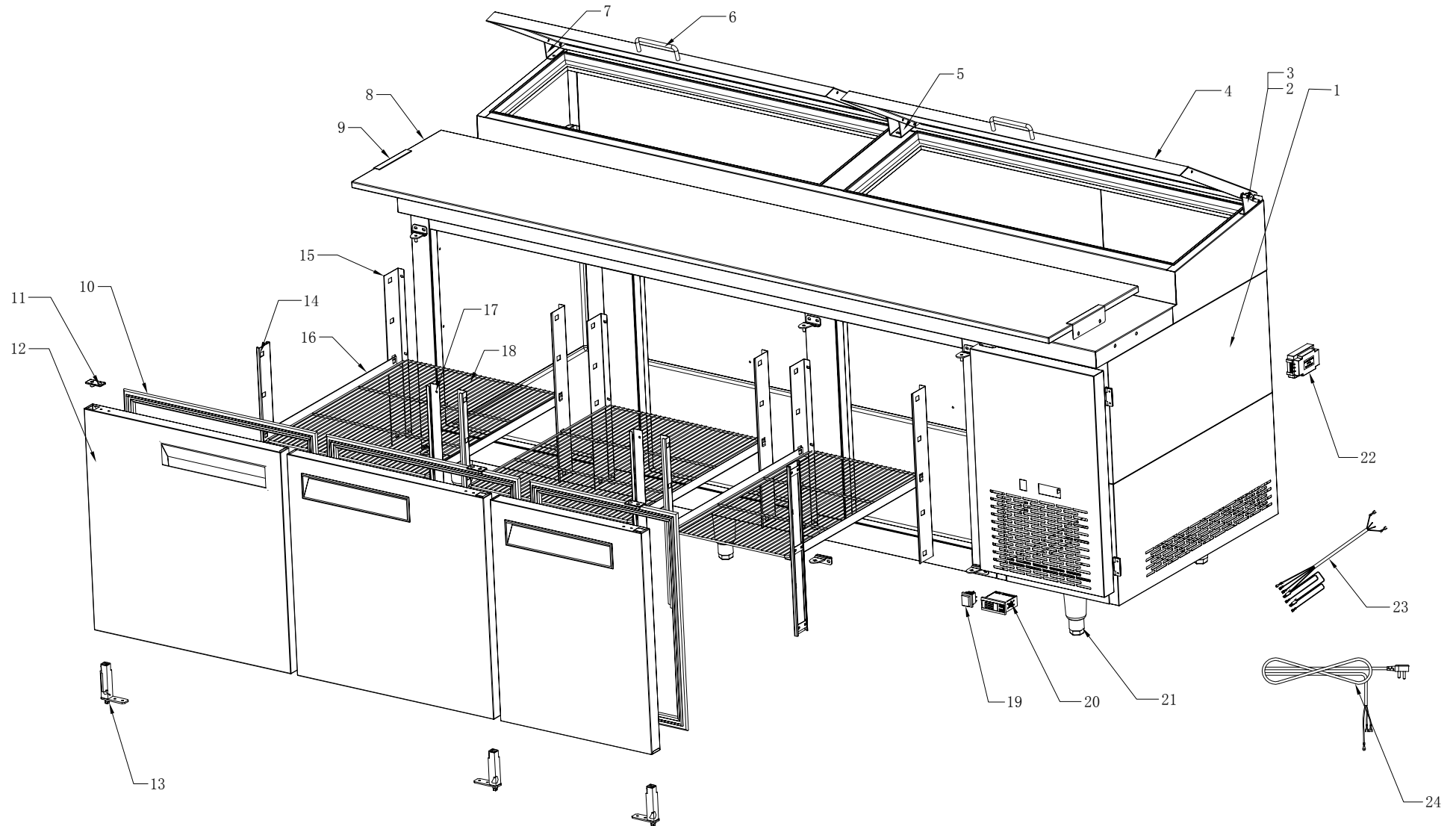


Spare Parts List for DPP90

Dukers Appliance Co., USA Ltd

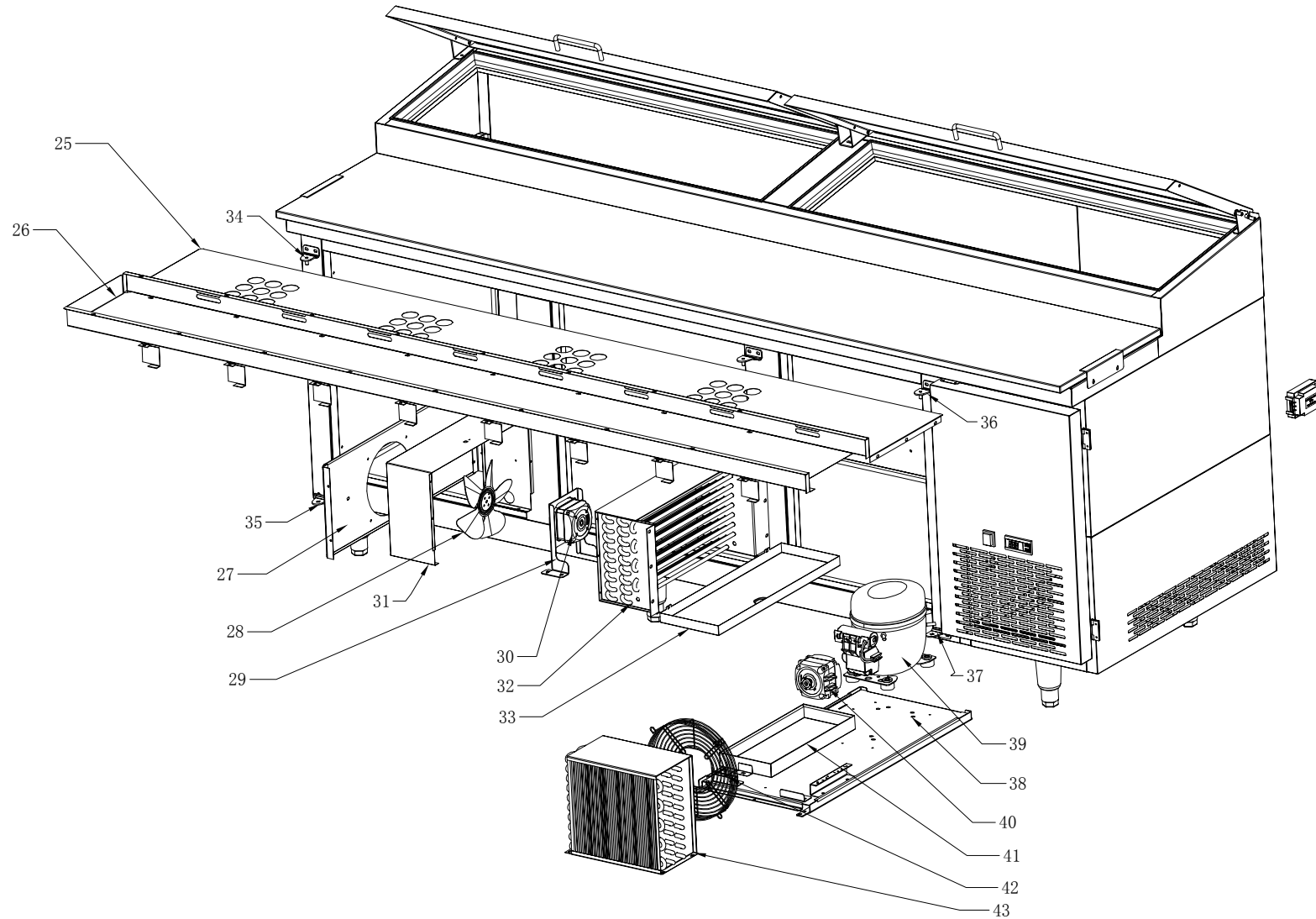
| | | |
|-----------------|-----|------------|
| Compiled | Roy | 06-25-2018 |
| Latest Revision | | |



Spare Parts List for DPP90

Dukers Appliance Co., USA Ltd

| | | |
|-----------------|-----|------------|
| Compiled | Roy | 06-25-2018 |
| Latest Revision | | |



Spare Parts List for DPP90

Dukers Appliance Co., USA Ltd.

25-Jun

| Item No. | | Item No. | |
|----------|---------------------------|----------|----------------------------------|
| 1 | Foaming cabinet | 27 | Cover for Evaporator Compartment |
| 2 | Hinge pin for pan cover | 28 | Fan blade |
| 3 | Pan hinge, right | 29 | Evaporator fan bracket |
| 4 | Pan cover | 30 | Evaporator fan |
| 5 | Pan hinge, middle | 31 | Air duct |
| 6 | Handle of pan cover | 32 | Evaporator |
| 7 | Pan hinge, left | 33 | Inner drain pan |
| 8 | Cutting board | 34 | Hinge, top left |
| 9 | MTG for cutting board | 35 | Hinge, bottom left |
| 10 | Door gasket | 36 | Hinge top right |
| 11 | Door hinge | 37 | Hinge bottom right |
| 12 | Foaming door | 38 | Compressor base plate |
| 13 | Self-close hinge | 39 | Compressor |
| 14 | Wall rail, L/R | 40 | Outer drain pan |
| 15 | Wall rail, back | 41 | Condenser fan |
| 16 | Supporter rail | 42 | Condenser fan guard grill |
| 17 | Wall rail, middle | 43 | Condenser |
| 18 | Shelf | | |
| 19 | Power switch | | |
| 20 | Digital controller | | |
| 21 | Bullet feet, 6 inches | | |
| 22 | Junction box, JXH-5P | | |
| 23 | Inner wiring harness | | |
| 24 | Lead and plug. NEMA 5-15P | | |
| 25 | Pan trough | | |
| 26 | Air duct | | |