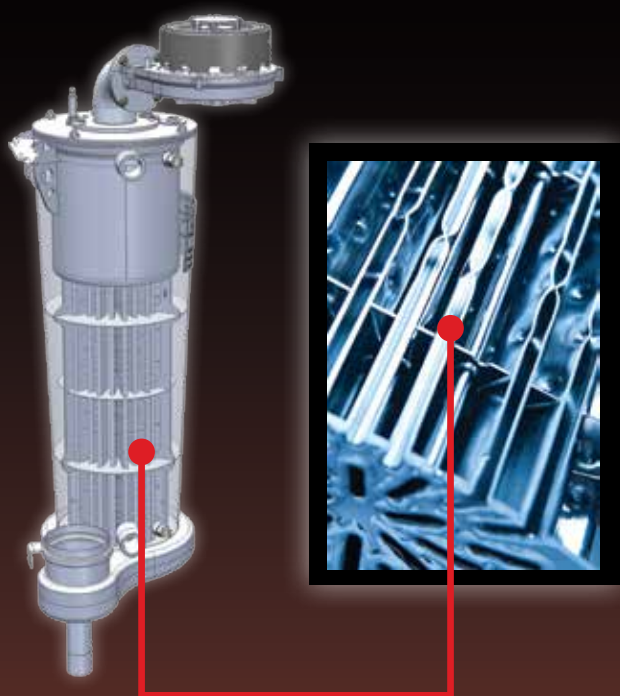




Elite FT

High Efficiency Fire Tube Heating Boiler

Advanced Heating
and Hot Water Systems



7 sizes:
55,000, 80,000,
110,000, 155,000,
199,000, 285,000
& 399,000 Btuh

up to 96% Efficient
5:1 Turndown Ratio

One of a kind design from the inside, out!

A Closer Look

EFT-155, EFT-199, EFT-285 & EFT-399 Models

(Top connections not available for EFT-55, EFT-80 & EFT-110 models)

Alternate Top Return

Alternate Top Supply

Modulating Combustion Blower Assembly

Sealed Electronic Enclosure (Moisture & Corrosion Resistant)

2 Line 40 Character LCD Display - Program & Monitor Boiler Operation



Alternate Bottom Return

Alternate Bottom Supply

Exhaust Vent Connection

Intake Vent Connection

Easily Removable Cover

Spark Ignition System with Flame Monitoring

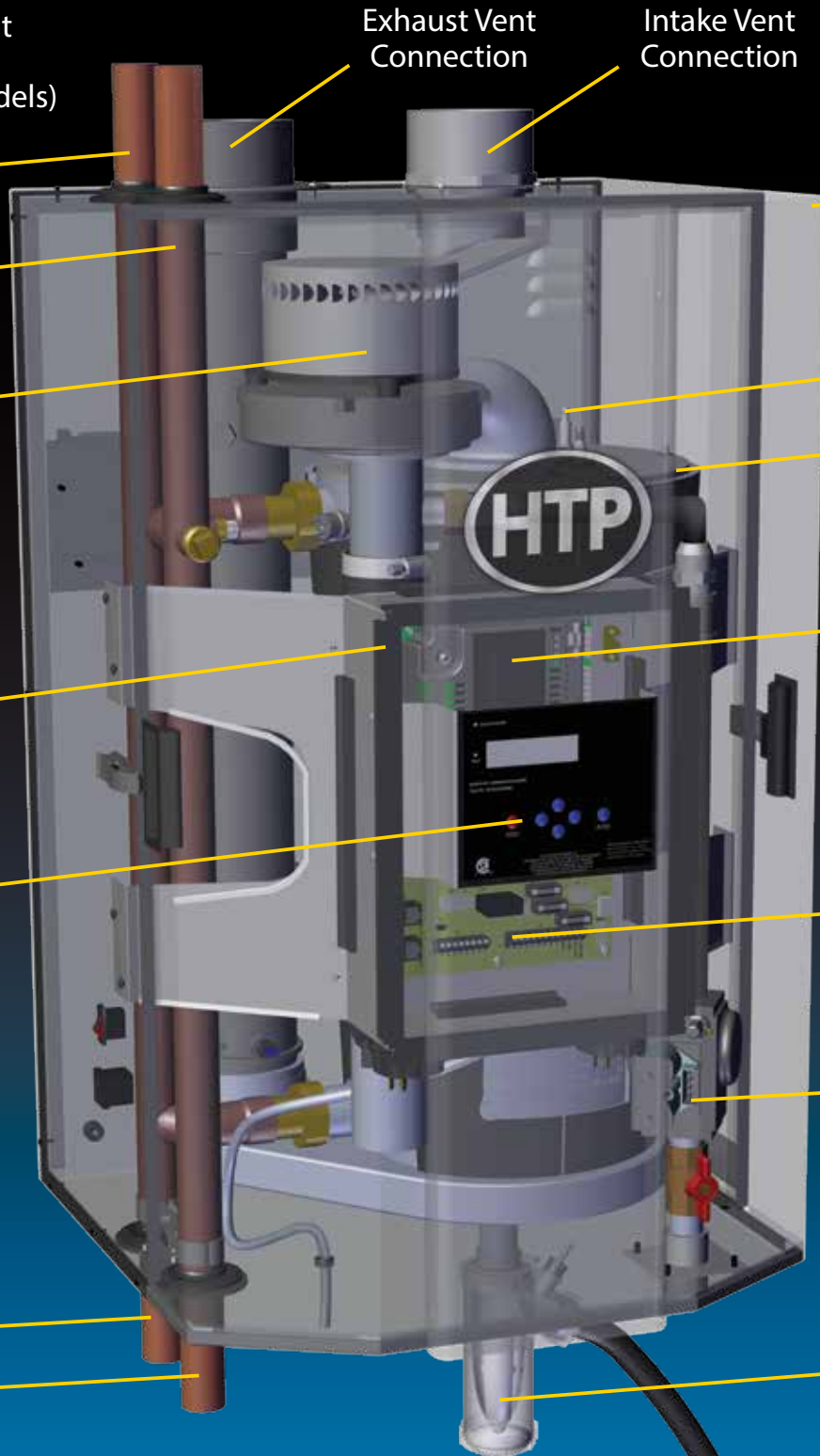
Stainless Steel Fire Tube Heat Exchanger

Integrated Digital Control

Field Connection Board

Negative Regulation Gas Valve

Condensate System



Extremely Durable and Reliable – Minimal Maintenance Required

Elite FT

High Efficiency Fire Tube Heating Boiler

Energy Savings

Up to **96%** AFUE operating efficiency

Reduces heating costs

Outdoor reset lowers operating set point automatically to increase system efficiency

Modulating burner input matches system load, conserving energy and increasing system efficiency

Low NOx emission - Reduces environmental impact

Look Inside the EFT-399



Combustion Turndown up to 5:1

Matches heating load automatically

Modulate combustion fan down to 20% of firing rate

Target temperature can be maintained as heating demand increases or decreases providing greater comfort by eliminating temperature swings in the heating system



Stainless Steel Fire Tube Heat Exchanger

Down fire design, promotes self cleaning of combustion system

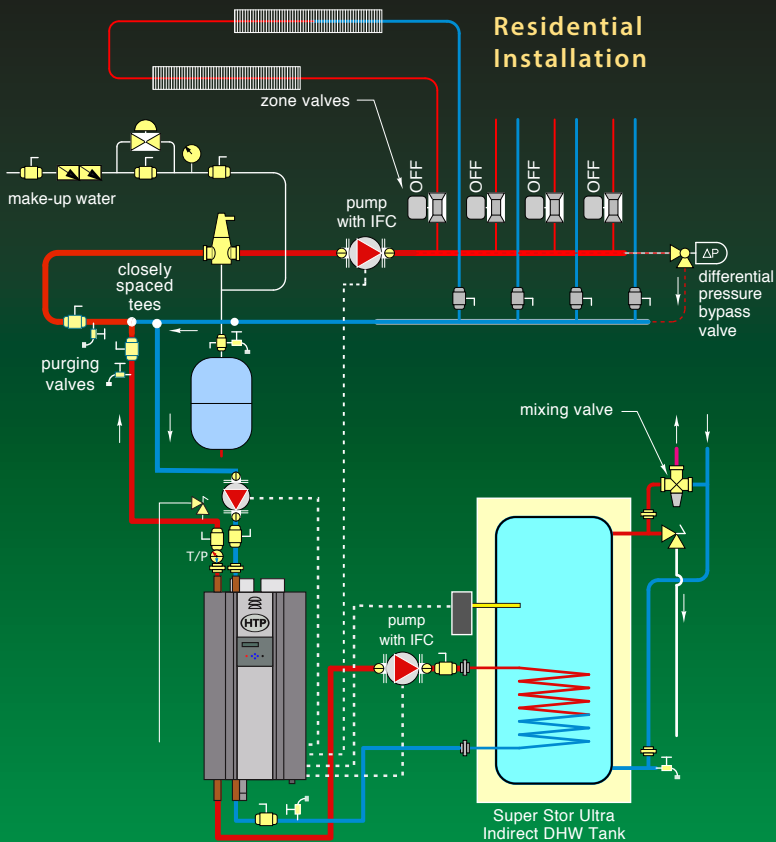
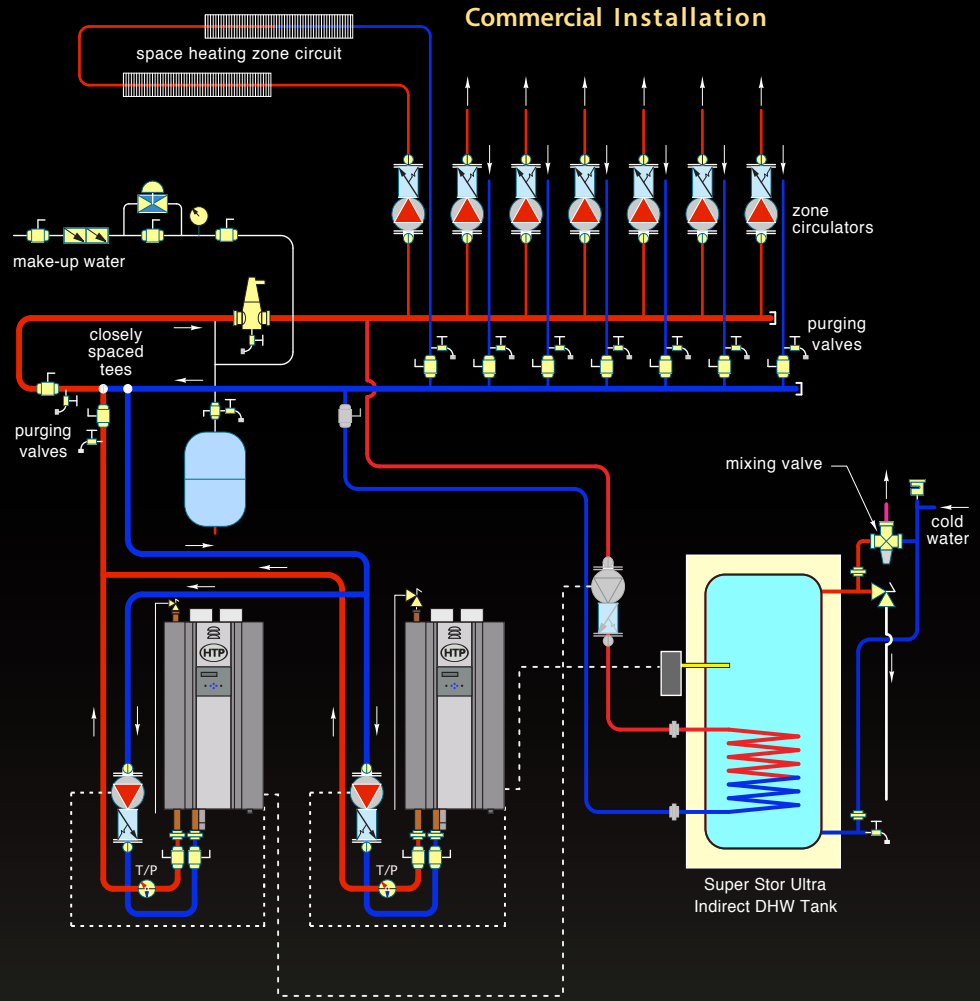
Durable high grade stainless steel construction provides extended service life

Increased thermal mass provides low pressure drop and eliminates short cycling

Compatible with glycol based systems

Built-in condensate collection system

Residential and Commercial INSTALLATION



Versatility

7 models available: 55,000, to 399,000 Btuh

Top and Bottom piping connections (available only for models EFT-155, EFT-199, EFT-285 & EFT-399)

Field convertible from Natural to LP gas

Wall hung for space savings

No primary / secondary piping required on models EFT-55, EFT-80 & EFT-110 (minimum flow must be met)

Cascade up to 8 boilers - linked and sequenced to function together for commercial installations

The Best Option For Today's Green Energy Market!



Control Interface - TSC

Outdoor Reset: a sensor measures the outside air temperature and adjusts the boiler set point to increase comfort and efficiency

Indirect water heater integration

Adjustable system freeze protection parameters

Ability to review boiler history

ModBus capability, and more....

Venting Options

Unbeatable combined vent length of up to 200 ft 3" PVC pipe (4" PVC pipe for EFT-399)

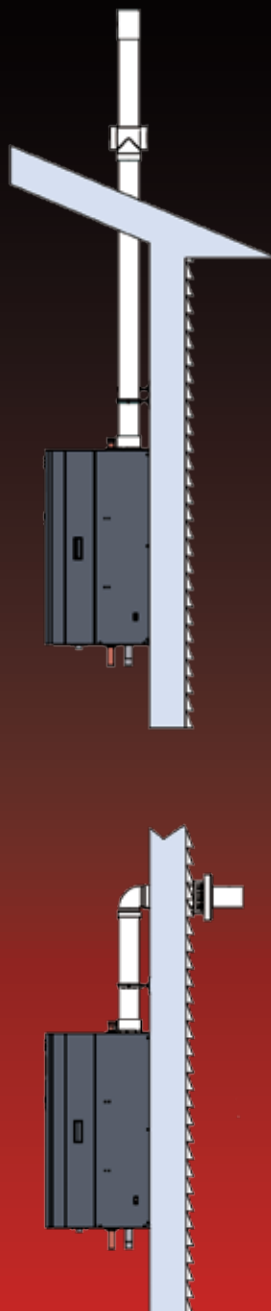
Vents with standard PVC, CPVC, AL29-4C, ULC636, or Flexible Polypro Pipe (HTP Approved)

Room air intake

Balanced or unbalanced venting system

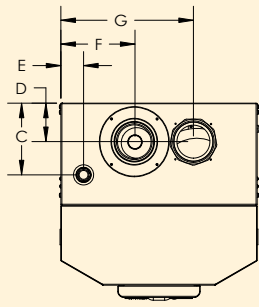
Energy Star Certified

Environmentally friendly



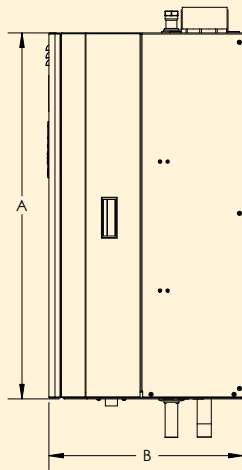
The EFT-399

Dimensions and Specifications

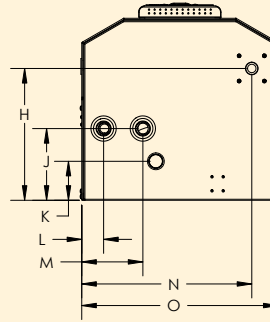


**Models: EFT-55,
EFT-80, EFT-110**

Top View



Side View



Bottom View

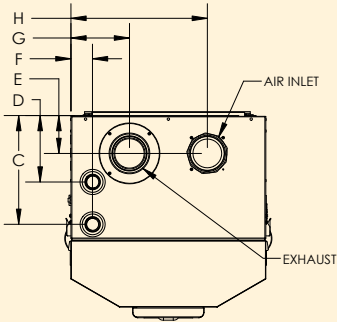
STANDARD FEATURES

- Up to 96% AFUE
- Modulating Burner
 - 5:1 Turndown Ratio
- Venting Options
 - Concentric
 - 3" Pipe: Balanced or Unbalanced
- Limited 12 Year Warranty
- Wall Mounted
- Total System Control
- The Elite FT is ASME Certified

INCLUDED IN THE BOX

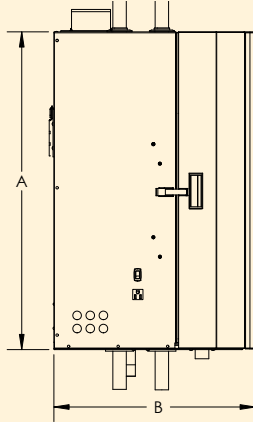
- Temperature and Pressure Gauge
- Pressure Relief Valve 30 PSI (80 psi for EFT-285 & EFT-399 Models)
- Indirect Sensor & Outdoor Sensor
- Intake PVC w/ Screens
- Exhaust PVC Coupling w/ Screens
- Installation Manual
- Warranty
- Condensation Removal System
- Wall Mount

Model	Max. MBH	Min. MBH	AFUE	Heating Capacity MBH	A	B	C	D	E	F	G	H	J	K	L	M	N	O
EFT-55	55	13	96.3	51	32 1/2"	17 3/8"	6 1/4"	3 1/2"	2 1/4"	6 1/2"	11 3/4"	12 1/2"	6 1/4"	3 1/2"	2"	5 1/2"	15"	17 1/2"
EFT-80	80	17	96.0	79														
EFT-110	110	22	95.6	102														

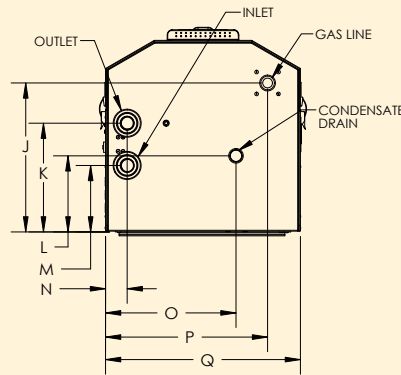


**Models: EFT-155, EFT-199,
EFT-285 & EFT-399**

Top View



Side View



Bottom View

OPTIONAL EQUIPMENT

- ModBus Adapter
- 3", 4", 6" Stainless Steel Outside Termination Vent Kit
- 3" Concentric Vent Kit
- 3" Polypro Vent Kit
- 3" Polypro Pipe
- U.L. 353 Compliant Low Water Cutoff w/ Manual Reset
- Alarm System to Monitor Failures
- PC Connection Kit
- Condensate Neutralizer
- System Sensor
- 3 Speed Pump with integrated Flow Check

Model	Max. MBH	Min. MBH	AFUE	Heating Capacity MBH	A	B	C	D	E	F	G	H	J	K	L	M	N	O	P	Q
EFT-155	155	31	95.1	142	32 5/8"	20 5/8"	11 1/8"	6 7/8"	3 7/8"	2 1/4"	6"	14"	15 1/4"	11 1/8"	7 3/4"	6 7/8"	2 1/4"	13 3/8"	16 5/8"	20"
EFT-199	199	40	93.8	183																
EFT-285	285	57	92.8	262																
EFT-399	399	80	96.7*	367																

* Thermal Efficiency (Not AFUE)

Model	BTU	Shipping Weight	Gas Conn.	Water Conn.	Air Inlet	Vent Size
EFT-55*	55,000	125 lbs.	3/4"	1"	3"	3"
EFT-80*	80,000	128 lbs.				
EFT-110*	110,000	130 lbs.		1 1/4"		
EFT-155*	155,000	195 lbs.				
EFT-199*	199,000	198 lbs.	1 1/2"	4"	4"	
EFT-285*	285,000	203 lbs.				
EFT-399*	399,000	298 lbs.				

* add PU to end of stock code to include a pump



MKTLIT-36 04/ 2013 © HTP INC