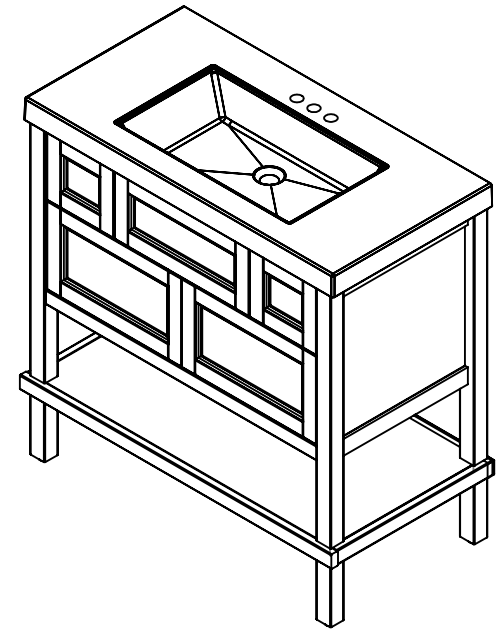
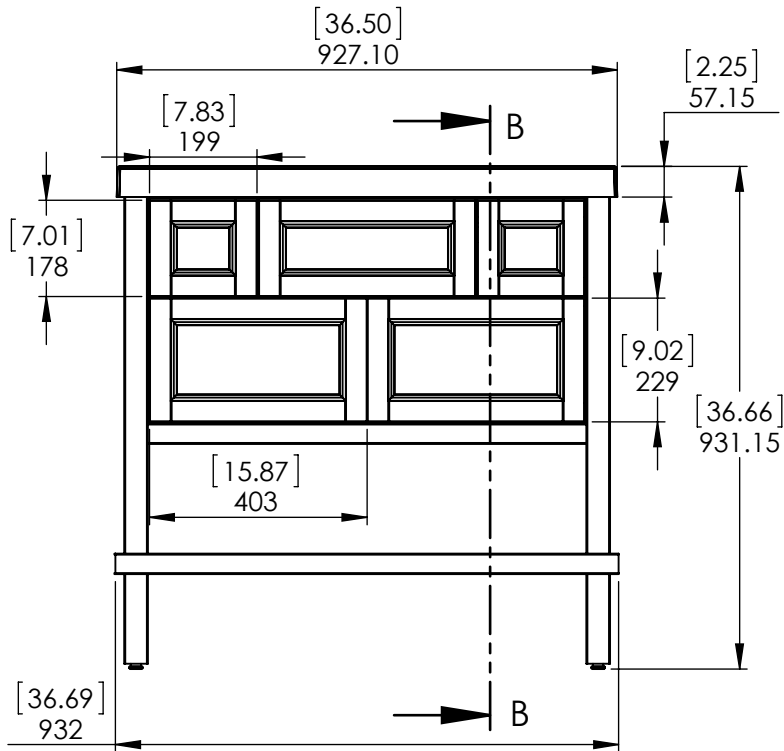


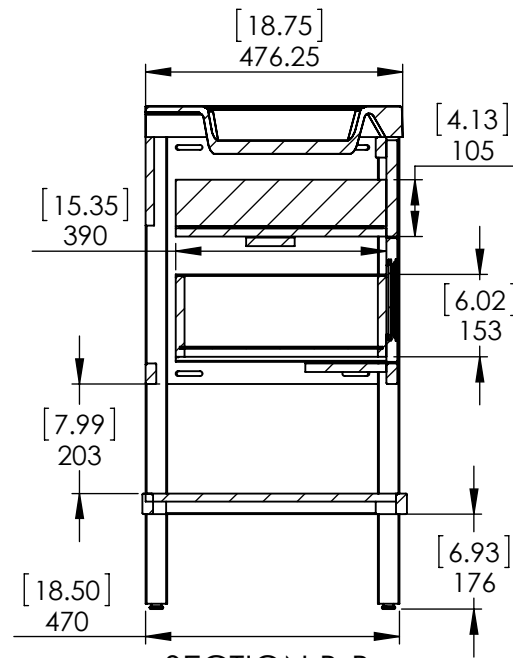
Top View



Isometric View



Front View



SECTION B-B
SCALE 1 : 14

Wood Crafters

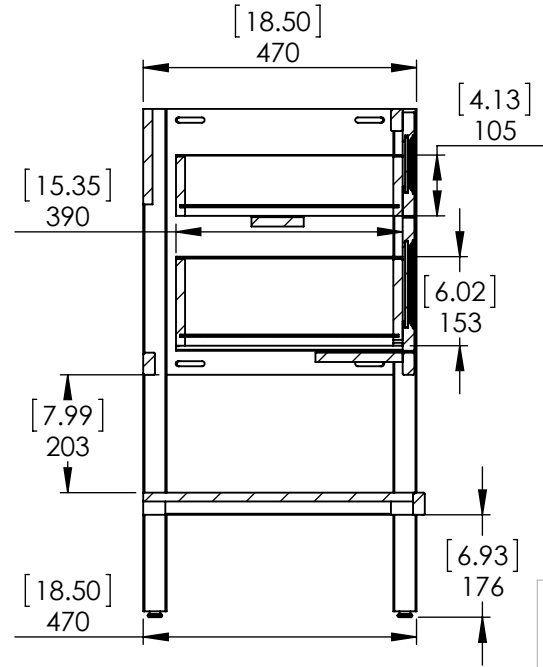
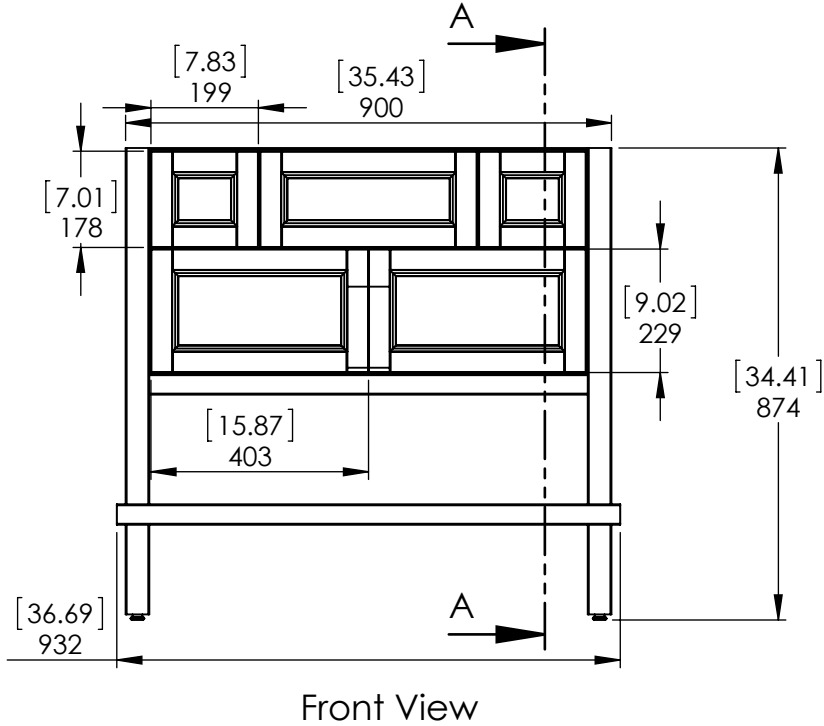
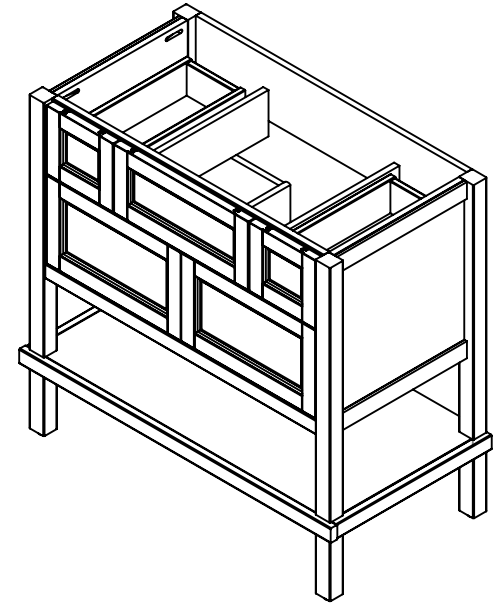
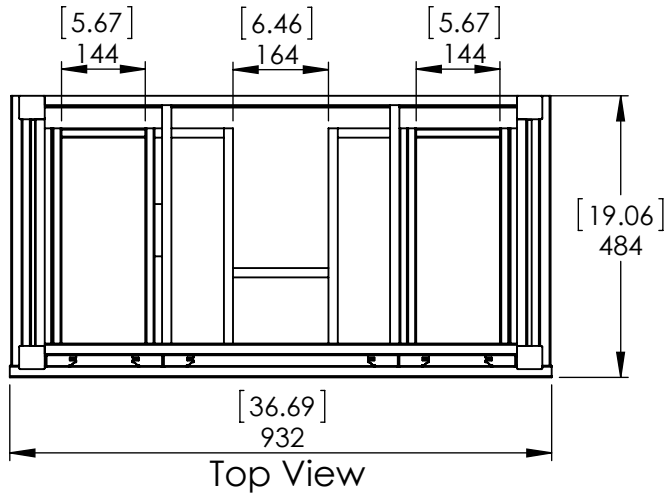
ITEM: **ALII36P2-TG**
ALII36P2-BU
ALII36P2-CH
 REV **A**

Name: **Ashland 36 in Taupe**
Gray / Blue / Chocolate

DRW:	JCNV	06/28/18
REV:	ING	06/28/18
APP:	R&D	06/28/18

MATERIAL: **German Beech 4/4**
Laminated Particle Board

SCALE: 1:15 MODEL: **Vanity Ashland 36 / Top Oslo**



Wood Crafters

ITEM: **ALII36P2-TG**
ALII36P2-BU
ALII36P2-CH

REV **A**

Name: **Ashland 36 in Taupe**
Gray / Blue /
Chocolate

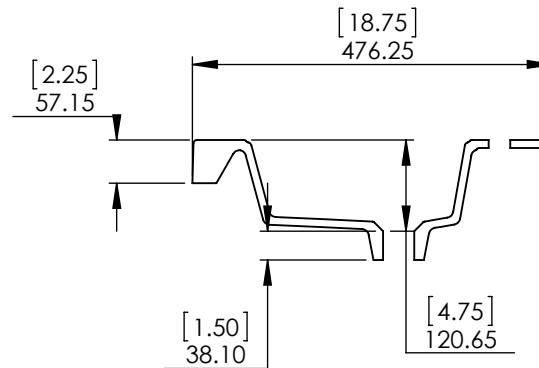
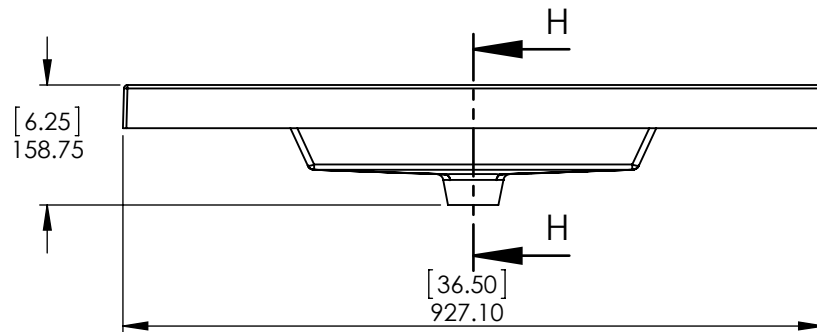
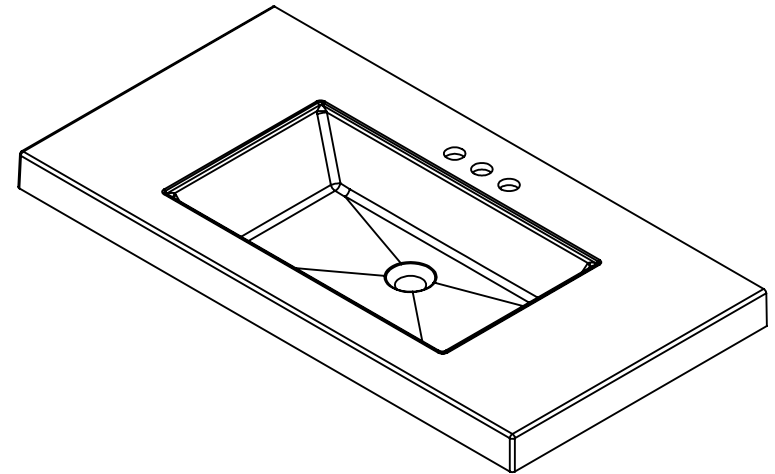
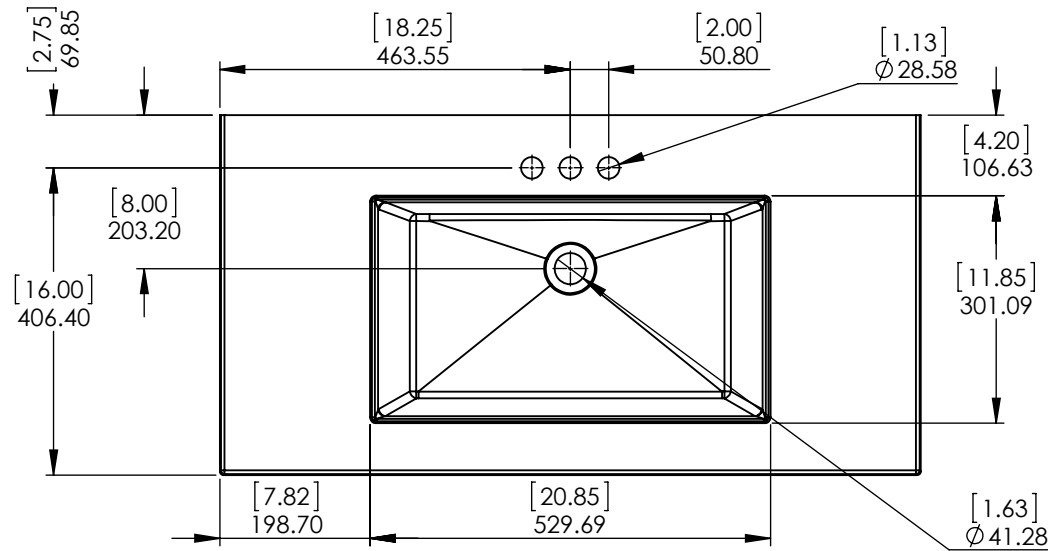
DRW:	JCNV	06/28/18
REV:	ING	06/28/18
APP:	R&D	06/28/18
SCALE:	1:15	

MATERIAL: **German Beech 4/4**
Laminated Particle Board

MODEL: **Vanity Ashland 36**

ID	Description	Technology	Status
595426	Vtop Oslo 36.5x18.75 White	Solid White	Approved for production

Rev #	Approved by	Change
0	R. Rubio	Released



NOTE: MAX. WARPAGE
TOLERANCE 1/8"

PROPRIETARY AND CONFIDENTIAL

THE INFORMATION CONTAINED IN THIS DRAWING IS THE SOLE PROPERTY OF WOODCRAFTERS. ANY REPRODUCTION IN PART OR AS A WHOLE WITHOUT THE WRITTEN PERMISSION OF WOODCRAFTERS IS PROHIBITED.

UNLESS OTHERWISE SPECIFIED

DIMENSIONS ARE IN MM. AND (INCHES)

TOLERANCES ARE
+ 0.125 [3.175] - 0.125 [-3.175]

SCALE:1:10

	NAME	DATE
DRAWN	R. Rubio	11/01/16
CHECKED	R. Rubio	11/01/16
ENG APPR.	R. Rubio	11/01/16
MFG APPR.	C. Leal	11/01/16



SIZE	DWG. NO.	SHEET 1 OF 1
A	Vtop Oslo 36.5x18.75 4in	REV: 0