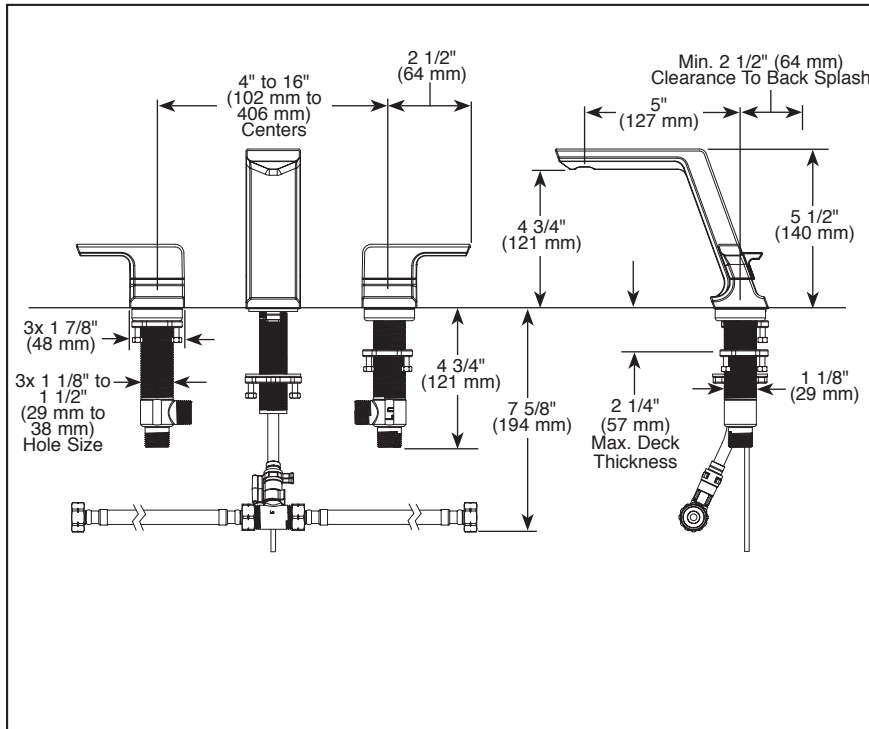


3599LF-▲MPU

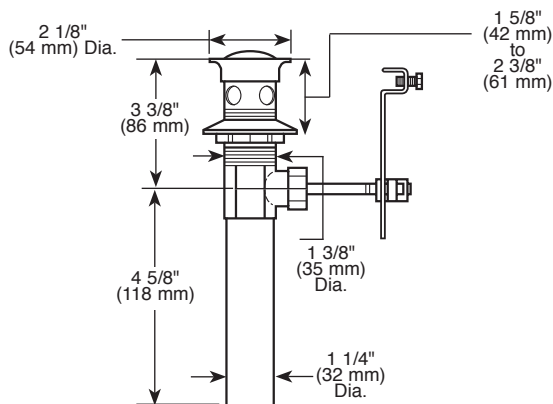


Submitted Model No.: _____

Specific Features: _____



RP26533▲
Metal Pop-Up



▲ Designate proper finish suffix



see what Delta can do™

LAVATORY FAUCETS

- Pivotal™ Bath Collection
- Two Handle Widespread Deck Mount

STANDARD SPECIFICATIONS:


- Maximum 1.2 gpm @ 60 psi, 4.5 L/min @ 414 kPa
- Three hole mount
- Solid brass fabricated end valves
- 1/4 turn stops
- Red/blue indicator markings
- Models with suffix "MPU" have metal drain with pop-up type fitting with plated flange and stopper
- Solid brass fabricated spout

WARRANTY

- Lifetime limited warranty on parts (other than electronic parts and batteries) and finishes; or, for commercial users, for 5 years from date of purchase.
- 5 year limited warranty on electronic parts (other than batteries); or, for commercial users, for 1 year from the date of purchase. No warranty is provided on batteries.



COMPLETE VALVE COMPLIES WITH:

- ASME A112.18.1 / CSA B125.1
- ASME A112.18.2 / CSA B125.2
- ASME A112.18.6
-  Indicates compliance to ICC/ANSI A117.1
- EPA WaterSense®
- Verified compliant with .25% weighted average Pb content regulations.

Delta reserves the right (1) to make changes in specifications and materials, and (2) to change or discontinue models, both without notice or obligation. Dimensions are for reference only. See current full-line price book or www.deltafaucet.com for finish options and product availability.

DSP-L-3599LF-MPU Rev. A

Delta Faucet Company

55 E. 111th Street, Indianapolis, IN 46280
350 South Edgeware Road, St. Thomas, ON N5P 4L1
© 2017 Delta Faucet Company