

30”W Large 2-Door Cube

MODEL # A3906

Adult Assembly is Required.

Before proceeding with the assembly, please read the instructions carefully. Unpack all the components and place them on a smooth surface to avoid scratching or damaging your new furniture. Identify all the parts and components by comparing them with the Assembly Instruction. Please contact FOREMOST® Customer Service via [e-mail:customerservice@foremostgroups.com](mailto:customerservice@foremostgroups.com) or call 1-800-443-1410 for parts. Please reference the item number and part description. Do not use this product if parts are damaged, missing or broken.

Remember to tighten all of the hardware, and DO NOT climb on finished product.



WARNING: keep plastic bags and small parts away from children



WARNING: safely discard all packaging materials

CLEANING CARE

Dust using a lint free cloth.

Clean the surface using a damp cloth and mild dish washing liquid if necessary.

DO NOT use any cleaning product containing alcohol or ammonia.

DO NOT use strong solvents, bleach, or abrasive materials as they may damage the finish.

www.foremostgroups.com



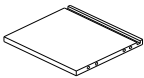
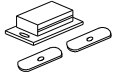
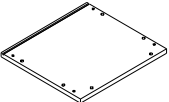

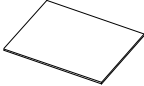

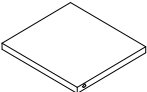
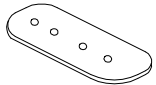


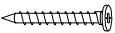


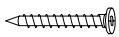
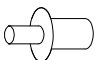
Page 1 of 4

WARRANTY

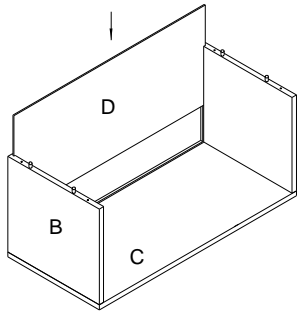
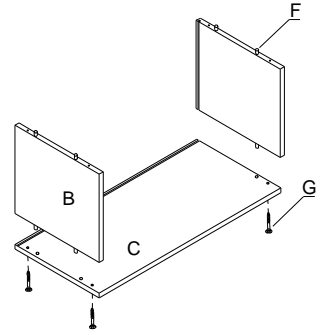
Each cube manufactured by Foremost Groups Inc. is covered by a one (1) Year Limited Warranty. We warrant our products to be free from defects in material or workmanship for a period one (1) year from the date of original purchase.

Failure caused by unreasonable or abusive use. Furniture that were clearance items, display models or items purchased in an "as is" condition, freight damage, furniture damaged by acts of nature, vandalism, fire, abuse, lack of proper care and maintenance, or improper assembly; hardware against corrosion or rusting; purchased or replacement parts. Also excluded: loss of use of time and inconvenience, money, travel, packaging or any other consequential or incidental damages. In no event shall Foremost Groups Inc. responsibility the value of the replacement product. Warranty is to the original purchaser when items are purchased from one of our authorized retailers and is not transferrable. All warranty claims must be submitted with a dated register receipt within the warranty period. Should replacement of the warranted item be unavailable, Foremost Groups Inc. reserve the right to substitute items of our choice similar in style, color and quality. For quality control purposes and verification, we reserve the right to request photographs of the damaged item(s). The terms of our warranties are subject to change without notice.

PART LIST

ITEM	DESCRIPTION	QTY	PART	ITEM	DESCRIPTION	QTY	PART
A	Top Panel 30"x15"x3/4"	1		I2	Hinge (mobile)	2	
B	Side Panel 14-7/8"x13-5/8" "x3/4"	2		J	Magnet Magnet panel	1 2	
C	Bottom Panel 30"x15"x3/4"	1		K	Wood Screws 1/2"	2	
D	Back Panel 29"x14"x1/8"	1		L	Door Handle	2	
E	Door 13-3/8"x14"x3/4"	2		M	Bracket 2-7/8"x3/4"	2	
F	Wood Dowel Φ1/4"x13/16"	8		N	Screws 1/2"	8	
G	Wood Screws 1-4/8"	8		O	Wood Dowel Φ5/16"x3/8"	4	
H	Cap Φ3/8"x1/4"	4		P	Handle Screw 1-3/8"	4	
I1	Hinge (fixed)	2					

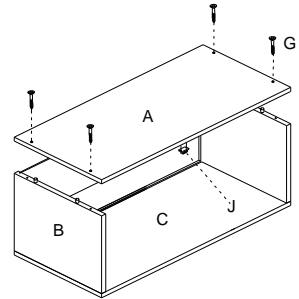
1. Insert wood dowels (F) into the pre-drilled holes on both ends of side panels (B) and attach side panels (B) to bottom panel (C). and fasten with wood screws (G) in to the bottom panel (C) to connect it to the side panels (B). Make sure it is tighten securely. See illustration(1).



(2) Slide back panel(D) through the grooves on side panels (B), Make sure to insert it all the way down, till it reaches the bottom panel (C). See illustration(2).

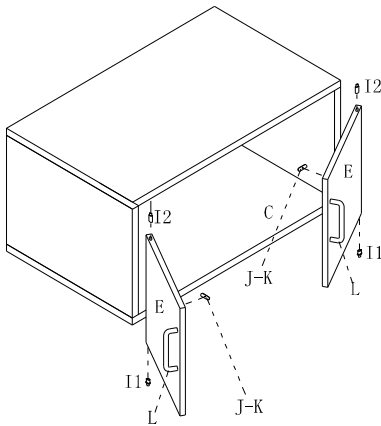
3 Attach magnet (J) to the top panel (A) with wood screws (K). Attach top panel (A) with wood screws (G).

See illustration(3).



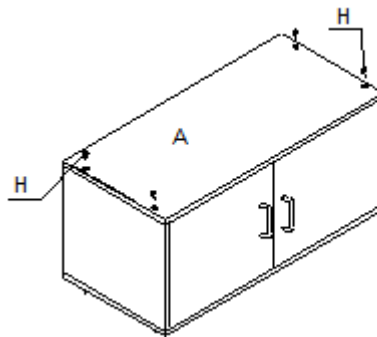
4. Attach magnet (J) to the upper left side of door (E) with wood screws (K). Install fixed hinge (I1) into the lower right side of door (E) by aligning it with the holes on bottom panel(C). Install mobile hinge (I2) into the upper right side of the door (E) by aligning it with the holes on top panel (A) .Install the door handle (L) See illustration(4).

(4)



5. Attach caps (H) to top panel(A). See illustration(5).

(5)



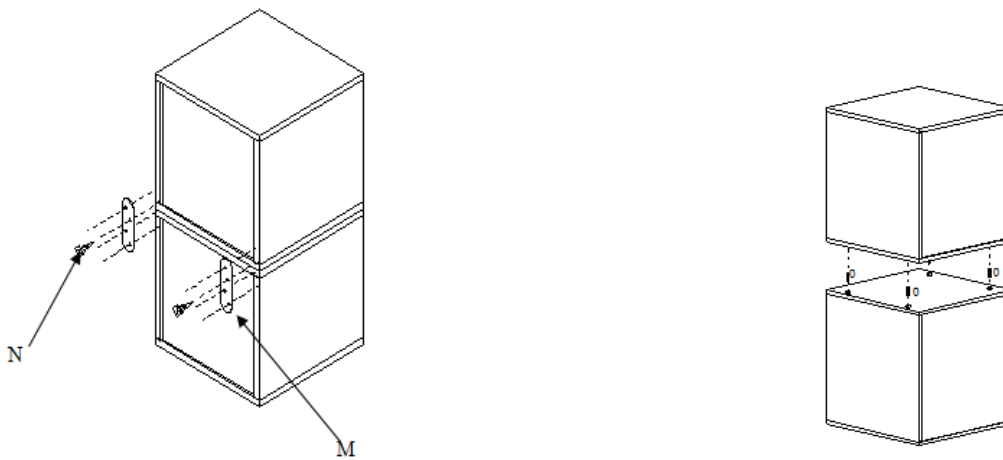
6. Customers may connect the cubes in the following three ways (see illustration (6)):

Option 1: Attach brackets (M) to the back of the hollow core cube with screws (N) to connect it to other cubes and stabilize them.

Option 2: Remove the four caps (H) on the surface of the lower cube and make sure the wood screws are tightened securely. Put four wood dowels (O) in the pre-drilled holes and then put another cube on the lower one as the picture indicated.

Option 3: Customers could connect the cubes by applying the above two ways at the same time.

(6).



Thank you for purchasing this FOREMOST® furniture.

Should you have any questions about your furniture, we would like to address the concern quickly. Our trained staff is ready to help you with quick, efficient service.

Customer Service
FOREMOST GROUPS, INC.
906 Murray Road East Hanover NJ 07936 USA
Toll Free Number: 1-800-443-1410
[E-mail: customerservice@foremostgroups.com](mailto:customerservice@foremostgroups.com)

www.foremostgroups.com

Page 4 of 4

©2013 Foremost Groups, Inc. All Rights Reserved.

9132013