

TrimmerPlus®

Operator's Manual

Power Broom Attachment BR720

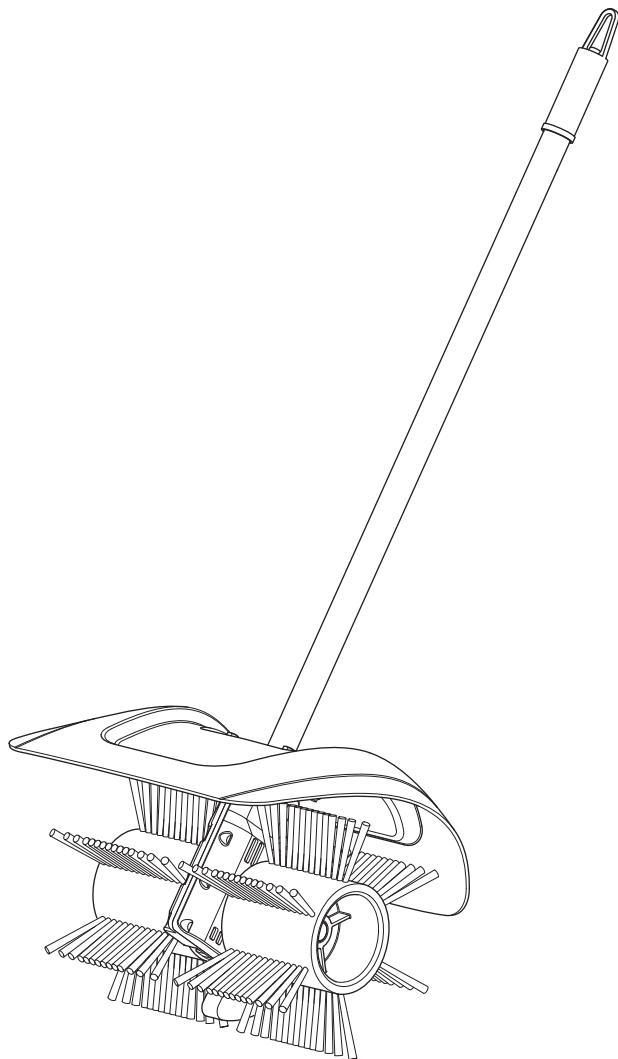


TABLE OF CONTENTS

Service	1
Safety	2
Know Your Unit	5
Specifications	5
Assembly	6
Operation	7
Maintenance	8
Cleaning and Storage	9
Warranty	10

SAVE THESE INSTRUCTIONS

SERVICE

DO NOT RETURN THIS UNIT TO THE RETAILER. PROOF OF PURCHASE WILL BE REQUIRED FOR WARRANTY SERVICE.

For assistance regarding the assembly, controls, operation or maintenance of the unit, please call the Customer Support Department at **1-800-345-8746** in the United States or **1-800-668-1238** in Canada. Additional information about the unit can be found on our website: **www.trimmerplus.com** (U.S.) or **www.trimmerplus.ca** (Canada).

For service, please call the Customer Support Department to obtain a list of authorized service dealers near you. Service on this unit, both within and after the warranty period, should only be performed by an authorized and approved service dealer. When servicing, use only identical replacement parts.


All information, illustrations, and specifications in this manual are based on the latest product information available at the time of printing. We reserve the right to make changes at any time without notice.


Copyright© 2012 MTD SOUTHWEST INC, All Rights Reserved.


SAFETY

The purpose of safety symbols is to attract your attention to possible dangers. The safety symbols, and their explanations, deserve your careful attention and understanding. The safety warnings do not by themselves eliminate any danger. The instructions or warnings they give are not substitutes for proper accident prevention measures.

SYMBOL	MEANING
--------	---------

	DANGER: Signals an EXTREME hazard. Failure to obey a safety DANGER signal WILL result in serious injury or death to yourself or to others.
--	--

	WARNING: Signals a SERIOUS hazard. Failure to obey a safety WARNING signal CAN result in serious injury to yourself or to others.
--	---


	CAUTION: Signals a MODERATE hazard. Failure to obey a safety CAUTION signal MAY result in property damage or injury to yourself or to others.
--	---

NOTE: Advises you of information or instructions vital to the operation or maintenance of the equipment.

Read the operator's manual and follow all warnings and safety instructions. Failure to do so can result in serious injury to the operator and/or bystanders.


• IMPORTANT SAFETY INSTRUCTIONS •

READ ALL INSTRUCTIONS BEFORE OPERATING

	WARNING: When using the unit, all safety rules must be followed. Please read these instructions before operating the unit in order to ensure the safety of the operator and any bystanders. Please keep these instructions for later use.
--	--

- Carefully read and understand the operator's manual of the unit that powers this attachment.
- Read the instructions carefully. Be familiar with the controls and proper use of the unit.
- Do not operate this unit when tired, ill or under the influence of alcohol, drugs or medication.
- Children must not operate the unit. Teens must be accompanied and guided by an adult.
- All guards and safety attachments must be installed properly before operating the unit.
- Inspect the unit before use. Replace damaged parts. Check for fuel leaks. Make sure all fasteners are in place and secure. Replace parts that are cracked, chipped, or damaged in any way. Do not operate the unit with loose or damaged parts.
- Carefully inspect the area before starting the unit. Remove all debris and hard or sharp objects such as glass, wire, etc.
- Be aware of the risk of injury to the head, hands and feet.
- Clear the area of children, bystanders and pets; keep them outside a 50-foot (15 m) radius, at a minimum. Even then, they are still at risk from thrown objects. Encourage bystanders to wear eye protection. If you are approached, stop the unit immediately.

SAFETY WARNINGS FOR GAS UNITS

	WARNING: Gasoline is highly flammable and its vapors can explode if ignited. Take the following precautions:
---	---

- Store fuel only in containers specifically designed and approved for the storage of such materials.
- Always stop the engine and allow it to cool before filling the tank. Never remove the fuel tank cap or add fuel when the engine is hot. Always loosen the fuel tank cap slowly to relieve any pressure in the tank before fueling.
- Always mix and add fuel in a clean, well-ventilated outdoor area where there are no sparks or flames. **DO NOT** smoke.
- Never operate the unit without the fuel cap securely in place.
- Avoid creating a source of ignition for spilled fuel. Wipe up any spilled fuel from the unit immediately, before starting the unit. Move the unit at least 30 ft. (9.1 m) from the fueling source and site before starting the engine. **DO NOT** smoke.
- Never start or run the unit inside a closed room or building. Breathing exhaust fumes can kill. Operate this unit only in a well ventilated outdoor area.

SAFETY WARNINGS FOR ELECTRIC UNITS



WARNING: To reduce the risk of electrical shock, use only extension cords approved for outdoor use, such as an extension cord of cord type SW-A, SOW-A, STW-A, STOW-A, SJW-A, SJOW-A, SJTW-W or SJTOW-A. Extension cords are available from your local retailer. Use only round-jacketed extension cords approved for outdoor use.

- **CORD SETS:** Make sure your cord set is in good condition. When using a cord set, be sure to use a cord that is heavy enough to carry the current that your unit will draw. An undersized cord set will cause a drop in line voltage resulting in loss of power and overheating. See the operator's manual for the unit that will power this attachment for the recommended cord size.
- Inspect all extension cords and the unit power connection periodically. Look closely for deterioration, cuts or cracks in the insulation. Also inspect the connections for damage. Replace the cords if any defects or damage appear.
- Prevent disconnection of the power head from the extension cord during operation by using a plug-receptacle retaining strap, connector, or by making a knot (Fig. A).
- Avoid dangerous environments. Never operate your unit in damp or wet conditions. Moisture is a shock hazard.
- Do not use the unit in the rain. Do not use in or around water.
- Do not handle the plug or unit with wet hands or standing on any wet surfaces.
- Do not leave the unit plugged in when not in use, changing attachments or while being serviced.

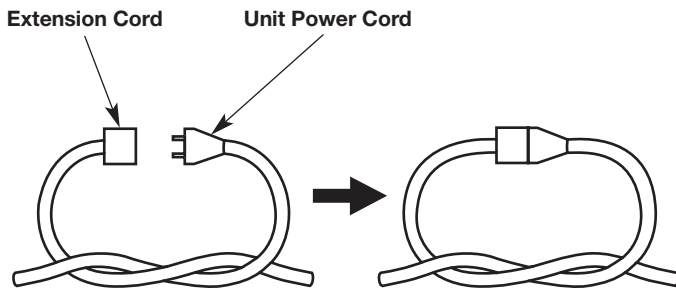


Fig. A

WHILE OPERATING

- Wear safety glasses or goggles that meet current ANSI Z87.1 standards and are marked as such. Wear ear/hearing protection when operating this unit. Wear a face or dust mask if the operation is dusty.
- Wear heavy long pants, boots, gloves and a long sleeve shirt. Do not wear loose clothing, jewelry, short pants, sandals or go barefoot. Secure hair above shoulder level.
- Make sure the attachment is not in contact with anything before starting the unit.
- Use the unit only in daylight or good artificial light.
- Use the right tool. Only use this tool for its intended purpose.
- Always hold the unit with both hands when operating. Keep a firm grip on both handles or grips.
- Do not overreach. Always keep proper footing and balance. Take extra care when working on steep slopes or inclines.
- Keep hands, face, and feet away from all moving parts. Do not touch or try to stop moving parts.

- Do not operate the unit faster than the speed needed to do the job. Do not run the unit at high speed when not in use.
- Use extreme caution when reversing or pulling the unit towards you.
- Do not force the unit. It will do a better, safer job when used at the intended rate.
- Always stop the unit when operation is delayed or when walking from one location to another.
- If you strike or become entangled with a foreign object, stop the unit immediately and check for damage. Do not operate before repairing damage. Do not operate the unit with loose or damaged parts.
- Use only original equipment manufacturer (OEM) replacement parts and accessories for this unit. These are available from your authorized service dealer. Use of any other parts or accessories could lead to serious injury to the user, or damage to the unit, and void the warranty.
- Keep the unit clean. Carefully remove vegetation and other debris that could block moving parts.
- If the unit starts to vibrate abnormally, stop the unit immediately. Inspect the unit for the cause of the vibration. Vibration is generally an indicator of trouble.


OTHER SAFETY WARNINGS



- All service, other than the maintenance procedures described in this manual, should be performed by a authorized service dealer.
- Before inspecting, servicing, cleaning, storing, transporting or replacing any parts on the unit:
 1. Stop the unit.
 2. Make sure all moving parts have stopped.
 3. Allow the unit to cool.
 4. For gas-powered units, disconnect the spark plug wire. For electric-powered units, disconnect the unit from the power source.
- Never store the unit with fuel in the tank, inside a building where fumes may reach an open flame (pilot lights, etc.) or sparks (switches, electrical motors, etc.).
- Be sure to secure the unit while transporting.
- Store the unit in a dry place, secured or at a height to prevent unauthorized use or damage. Keep out of the reach of children.
- Never douse or squirt the unit with water or any other liquid. Keep handles dry, clean and free from debris. Clean after each use, see *Cleaning and Storage* instructions.
- Keep these instructions. Refer to them often and use them to instruct other users. If you loan this unit to others, also loan them these instructions.

SAVE THESE INSTRUCTIONS

• SAFETY & INTERNATIONAL SYMBOLS •

This operator's manual describes safety and international symbols and pictographs that may appear on this product. Read the operator's manual for complete safety, assembly, operating and maintenance and repair information.

SYMBOL	MEANING
	<ul style="list-style-type: none"> • SAFETY ALERT SYMBOL Indicates danger, warning or caution. May be used in conjunction with other symbols or pictographs.
	<ul style="list-style-type: none"> • READ OPERATOR'S MANUAL WARNING: Read the operator's manual(s) and follow all warnings and safety instructions. Failure to do so can result in serious injury to the operator and/or bystanders.
	<ul style="list-style-type: none"> • WEAR EYE AND HEARING PROTECTION WARNING: Thrown objects and loud noise can cause severe eye injury and hearing loss. Wear eye protection meeting current ANSI Z87.1 standards and ear protection when operating this unit. Use a full face shield when needed.

SYMBOL	MEANING
	<ul style="list-style-type: none"> • THROWN OBJECTS AND ROTATING PARTS CAN CAUSE SEVERE INJURY WARNING: Small objects can be propelled at high speed, causing injury. Keep away from rotating parts.
	<ul style="list-style-type: none"> • KEEP BYSTANDERS AWAY WARNING: Keep all bystanders, especially children and pets, at least 50 feet (15 m) from the operating area.
	<ul style="list-style-type: none"> • POWER BROOMS – ROTATING BRUSHES CAN CAUSE SEVERE INJURY WARNING: Stop the engine/motor and allow all moving parts to stop before installing or removing any parts or attachments, or before cleaning or performing any maintenance. Keep hands and feet away from moving parts.

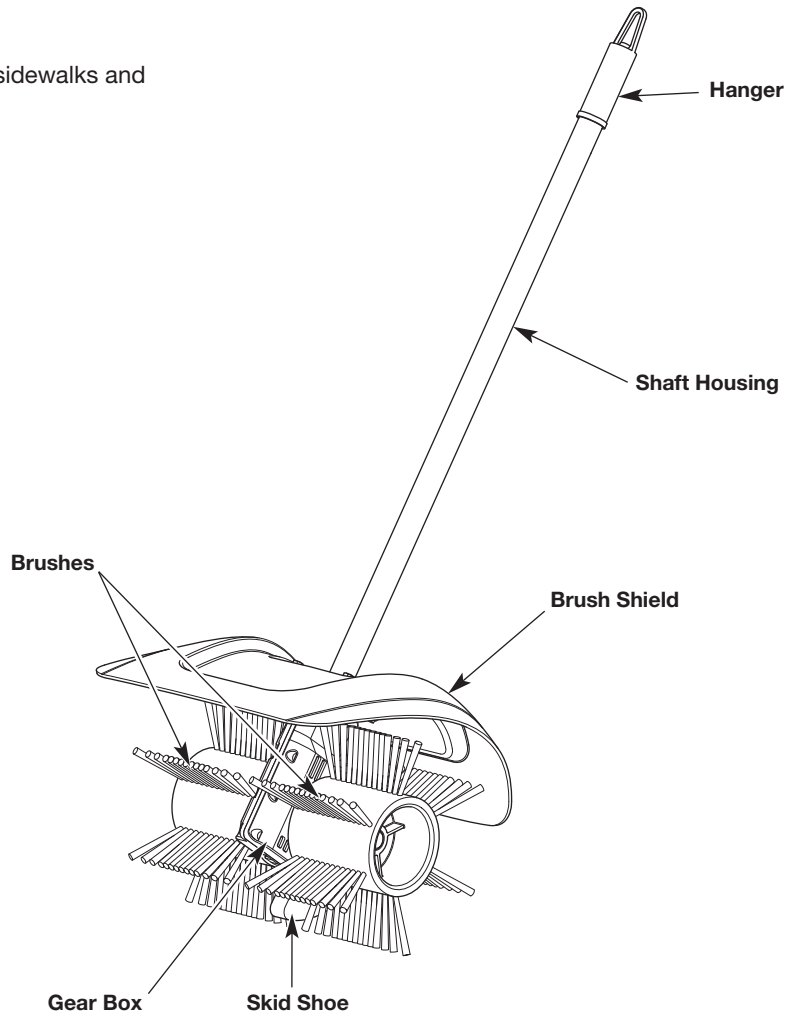
KNOW YOUR UNIT

APPLICATIONS

As a power brush:

- Sweeping dirt, grass, snow or other debris from sidewalks and driveways.

NO ASSEMBLY TOOLS REQUIRED



SPECIFICATIONS*

Approximate Unit Weight (attachment only)	9 - 10 lbs. (4.1 - 4.5 kg)
Clearing Path Width	12 inches (30.5 cm)

* All specifications are based on the latest product information available at the time of printing. We reserve the right to make changes at any time without notice.

ASSEMBLY

OPERATING THE COUPLER

The coupler enables the use of various optional attachments.

WARNING: Before using any attachment, read and understand the manual that came with the attachment. Follow all safety information contained within.

WARNING: To avoid serious personal injury and damage to the unit, shut the unit off before removing or installing an attachment.

NOTE: To make installing or removing the attachment easier, place the unit on the ground or on a work bench.

Installing the Attachment

NOTE: Remove the protective cap and gray spacer from the upper and lower shafts prior to assembling the attachment.

1. Turn the knob counterclockwise to loosen (Fig. 1).
2. While firmly holding the attachment, push it straight into the coupler until the release button snaps firmly into the primary hole (Fig. 3).

NOTE: Aligning the release button with the guide recess will help installation (Fig. 2).

3. Turn the knob clockwise to tighten (Fig. 1).

NOTE: Do not tighten the nut (Fig. 2).

CAUTION: Before operating the unit, make sure the release button is fully snapped into the primary hole (Fig. 3) and the knob (Fig. 1) is securely tightened.

CAUTION: The release button should be snapped into the primary hole only. Using the wrong hole could lead to personal injury or damage to the unit.

For decorative edging with a string trimmer attachment, lock the release button into the 90° edging hole (Fig. 1).

Removing the Attachment

1. Turn the knob counterclockwise to loosen (Fig. 1).
2. Press and hold the release button (Fig. 2).
3. While firmly holding the upper shaft housing, pull the attachment straight out of the coupler (Fig. 3).

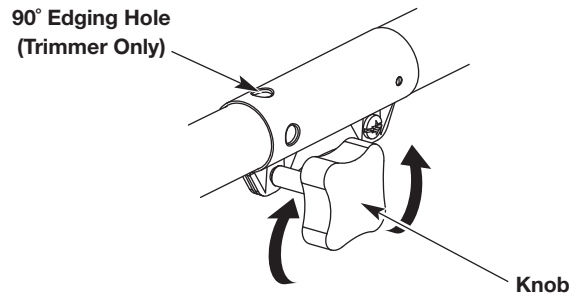


Fig. 1

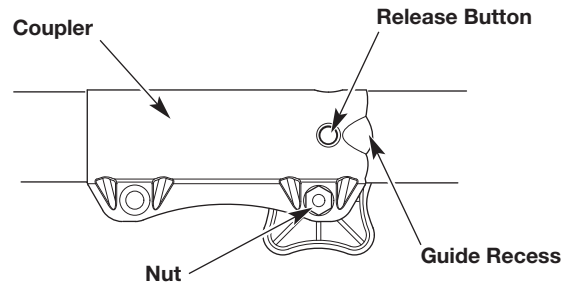


Fig. 2

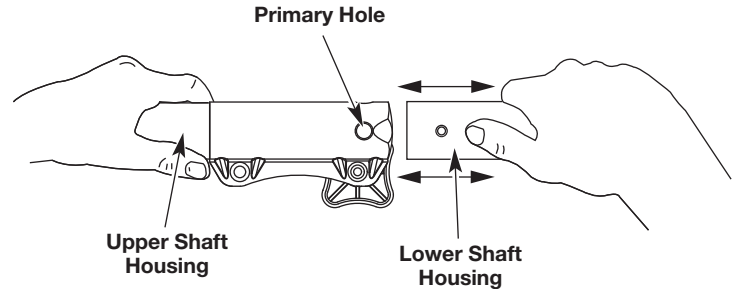


Fig. 3

OPERATION

HOLDING THE UNIT



WARNING: Always wear eye, hearing, hand, foot and body protection to reduce the risk of injury when operating this unit.

- Stand in the operating position (Fig. 4).
- Hold the shaft grip with the right hand. Keep the right arm slightly bent.
- Hold the handle with the left hand. Keep the left arm straight.
- Hold the unit at waist level.



Fig. 4

TIPS FOR BEST RESULTS

1. Move the unit to the work area prior to starting the engine/motor.



CAUTION: To prevent serious personal injury, never pick-up or carry the unit while the engine/motor is running.

2. Start the unit.
3. Hold the unit firmly with both hands and slowly lower the unit until the skid shoe makes contact with the ground.
4. Slowly increase the engine/motor speed to become familiar with the handling of the unit.
5. Advance with the unit at a moderate speed to sweep debris forward (Fig. 4). Optionally, it may be desirable to angle the power broom slightly to the left in order to direct debris to side.



WARNING: To prevent serious personal injury, use extreme caution when reversing or pulling the unit towards you.

MAINTENANCE



WARNING: To prevent serious injury, never perform maintenance or repairs while the unit is running. Always allow the unit to cool before servicing or repairing the unit. For gas-powered units, disconnect the spark plug wire to prevent the unit from starting accidentally. For electric-powered units, disconnect the unit from the power source to prevent the unit from starting accidentally.

NOTE: Some maintenance procedures may require special tools or skills. If you are unsure about these procedures, take the unit to an authorized service dealer.

REPLACING THE BRUSH HUBS AND SKID SHOE



WARNING: To prevent serious personal injury, always wear heavy gloves when handling the brushes.

Both brush hubs and the skid shoe should be replaced at the same time, as they will wear evenly through normal use.

Removing the Old Brush Hubs

1. Make sure the unit is off.
2. Tip the unit back so that it rests upon the shaft grip.

NOTE: To aid the removal process, it may be necessary to wash dirt off the brush hubs and related hardware.

3. While holding a brush bolt in place with a 1/2 inch wrench, use another 1/2 inch wrench to loosen the corresponding brush nut (Fig. 5).
4. Remove the brush bolt and brush nut. Slide the brush hub off the output shaft (Fig. 6).
5. Repeat steps 3 and 4 for the opposite side.

Removing the Old Skid Shoe

1. Use a 3/8 inch wrench to remove the two skid shoe nuts. Remove the skid shoe from the gear box (Fig. 7).

Installing the New Skid Shoe

1. Clean the gear box and output shafts.
2. Place the new skid shoe onto the two mounting screws on the gear box (Fig. 7).
3. Place the two skid shoe nuts onto the mounting screws. Use a 3/8 inch wrench to tighten the skid shoe nuts securely (Fig. 7).

Installing the New Brush Hubs

1. Apply a light machine oil to the output shafts.
2. Slide a new brush hub onto an output shaft (Fig. 6).
3. Rotate the brush hub to align the hole in the brush hub with the hole in the output shaft (Fig. 6).
4. Insert a brush bolt through the aligned holes. Place a brush nut onto the brush bolt (Fig. 6).
5. While holding the brush bolt in place with a 1/2 inch wrench, use another 1/2 inch wrench to tighten the corresponding brush nut securely (Fig. 5).
6. Repeat steps 2 through 5 for the opposite side.

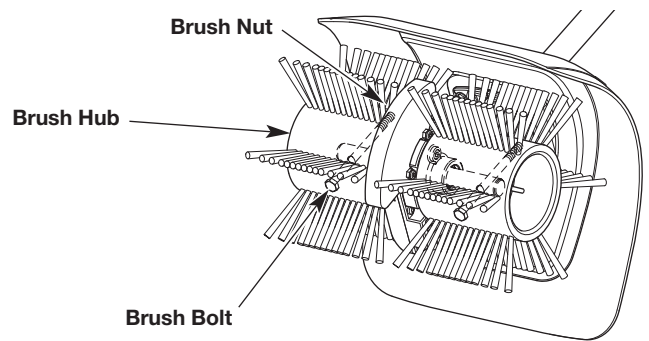


Fig. 5

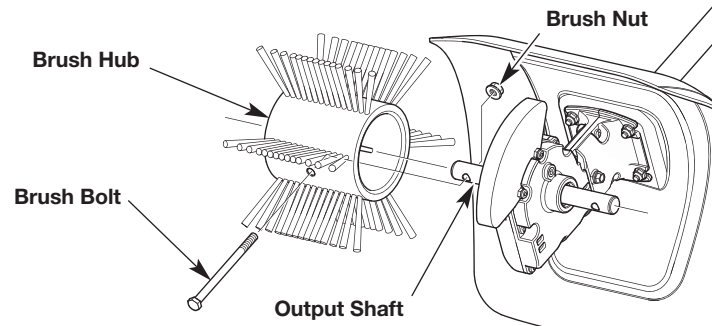


Fig. 6

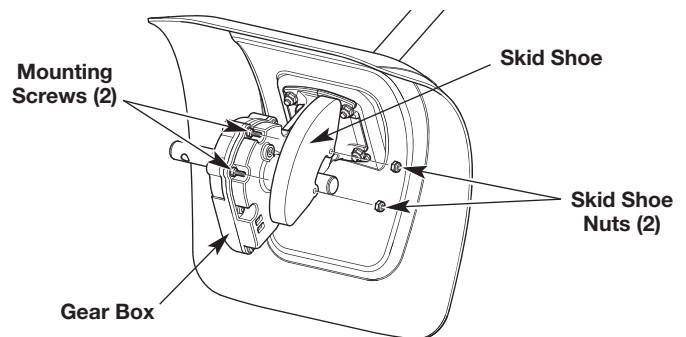


Fig. 7

CLEANING AND STORAGE

CLEANING



WARNING: To avoid serious personal injury, always stop the unit and allow it to cool before cleaning or maintaining the unit.

Use a small brush to clean the outside of the unit. Do not use strong detergents. Household cleaners that contain aromatic oils such as pine and lemon, and solvents such as kerosene, can damage plastic. Wipe off any moisture with a soft cloth.

STORAGE

- Never store a fueled unit where fumes may reach an open flame or spark.
- Allow the engine to cool before storing.
- Lock up the unit to prevent unauthorized use or damage.
- Store the unit in a dry, well-ventilated area.
- Store the unit out of the reach of children.

Long-term Storage

- Thoroughly clean the unit and inspect it for any loose or damaged parts. Repair or replace damaged parts and tighten loose screws, nuts or bolts.

MANUFACTURER'S LIMITED WARRANTY FOR:

TrimmerPlus®

The limited warranty set forth below is given by MTD LLC (MTD) with respect to new merchandise purchased and used in the United States, its possessions and territories.

MTD warrants this product against defects in material and workmanship for a period of two (2) years commencing on the date of original purchase and will, at its option, repair or replace, free of charge, any part found to be defective in material or workmanship. This limited warranty shall only apply if this product has been operated and maintained in accordance with the Operator's Manual furnished with the product, and has not been subject to misuse, abuse, commercial use, neglect, accident, improper maintenance, alteration, vandalism, theft, fire, water or damage because of other peril or natural disaster. Damage resulting from the installation or use of any accessory or attachment not approved by MTD for use with the product(s) covered by this manual will void your warranty as to any resulting damage. This warranty is limited to ninety (90) days from the date of original retail purchase for any MTD product that is used for rental or commercial purposes, or any other income-producing purpose.

HOW TO OBTAIN SERVICE: Warranty service is available, WITH PROOF OF PURCHASE THROUGH YOUR LOCAL AUTHORIZED SERVICE DEALER. To locate the dealer in your area, visit our website at www.trimmerplus.com or www.trimmerplus.ca, check for a listing in the Yellow Pages, call **1-800-345-8746** or **1-800-668-1238** in Canada, or write to P.O. Box 361131, Cleveland, OH 44136-0019. No product returned directly to the factory will be accepted unless prior written permission has been extended by the Customer Service Department of MTD.

This limited warranty does not provide coverage in the following cases:

- A. Tune-ups - Spark Plugs, Carburetor Adjustments, Filters
- B. Wear items - Bump Knobs, Outer Spools, Cutting Line, Inner Reels, Starter Pulley, Starter Ropes, Drive Belts, Saw Chains, Guide Bars, Cultivator Tines, Blades.
- C. MTD does not extend any warranty for products sold or exported outside of the United States of America, its possessions and territories, except those sold through MTD's authorized channels of export distribution.

MTD reserves the right to change or improve the design of any MTD Product without assuming any obligation to modify any product previously manufactured.

No implied warranty, including any implied warranty of merchantability or fitness for a particular purpose, applies after the applicable period of express written warranty above as to the parts as identified. No other express warranty or guaranty, whether written or oral, except as mentioned above, given by any person or entity, including a dealer or retailer, with respect to any product shall bind MTD. During the period of the Warranty, the exclusive remedy is repair or replacement of the product as set forth above. (Some states do not allow limitations on how long an implied warranty lasts, so the above limitation may not apply to you.)

The provisions as set forth in this Warranty provide the sole and exclusive remedy arising from the sales. MTD shall not be liable for incidental or consequential loss or damages including, without limitation, expenses incurred for substitute or replacement lawn care services, for transportation or for related expenses, or for rental expenses to temporarily replace a warranted product. (Some states do not allow limitations on how long an implied warranty lasts, so the above limitation may not apply to you.)

In no event shall recovery of any kind be greater than the amount of the purchase price of the product sold. Alteration of the safety features of the product shall void this Warranty. You assume the risk and liability for loss, damage, or injury to you and your property and/or to others and their property arising out of the use or misuse or inability to use the product.

This limited warranty shall not extend to anyone other than the original purchaser, original lessee or the person for whom it was purchased as a gift.

How State Law Relates to this Warranty: This warranty gives you specific legal rights, and you may also have other rights which vary from state to state.

To locate your nearest service dealer, dial **1-800-345-8746** in the United States or **1-800-668-1238** in Canada.

MTD LLC

P.O. Box 361131
Cleveland, OH 44136-0019

TrimmerPlus®

Manuel de l'opérateur

Accessoire de balai motorisé BR720

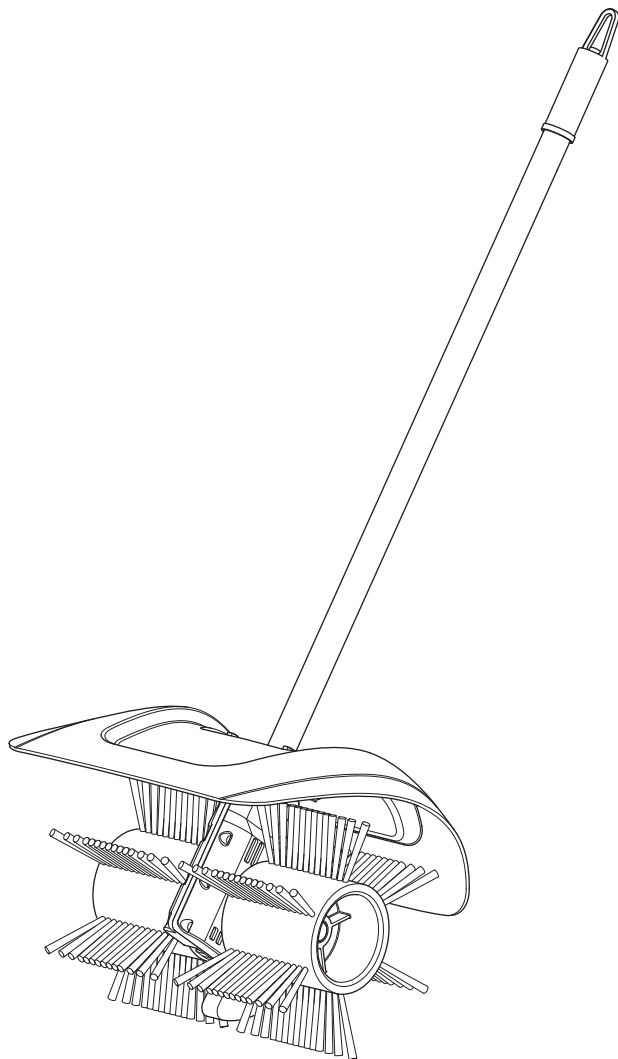


TABLE DES MATIÈRES

Service	11
Sécurité	12
Familiarisez-vous avec votre outil	15
Spécifications	15
Assemblage	16
Utilisation	17
Entretien	18
Nettoyage et entreposage	19
Garantie	20

CONSERVEZ CES INSTRUCTIONS

SERVICE

NE RAMENEZ PAS CET APPAREIL CHEZ LE REVENDEUR. UNE PREUVE D'ACHAT SERA EXIGÉE POUR AVOIR RECOURS À LA GARANTIE.

Pour obtenir de l'aide concernant l'assemblage, les commandes, l'utilisation ou l'entretien de cet appareil, veuillez contacter le service à la clientèle au **1-800-345-8746** (États-Unis) ou au **1-800-668-1238** (Canada). Pour obtenir des informations supplémentaires sur cet appareil, visitez le site Internet : **www.trimmerplus.com** (É.-U.) ou **www.trimmerplus.ca** (Canada).

Pour profiter du service technique, veuillez appeler le service à la clientèle pour obtenir une liste des centres de réparation agréés les plus proches. Les réparations de cet appareil doivent être confiées uniquement à un centre de réparation agréé, à la fois pendant et après la période de garantie. Lors d'une réparation, utilisez uniquement des pièces de rechange identiques.

Toutes les informations, illustrations et spécifications contenues dans ce manuel tiennent compte des dernières informations techniques disponibles au moment de mettre sous presse. Nous nous réservons le droit d'y apporter des modifications à tout moment, sans préavis.
Copyright © 2012 MTD SOUTHWEST INC., Tous droits réservés.

SÉCURITÉ

L'objectif de ces symboles de sécurité est d'attirer votre attention sur des dangers potentiels. Ces symboles de sécurité et leurs explications méritent que vous les lisiez attentivement et les compreniez bien. À eux seuls, les avertissements de sécurité n'éliminent aucun danger. Les consignes ou avertissements de sécurité ne remplacent pas les mesures appropriées de prévention des accidents.

SIGNIFICATION DES SYMBOLES


	DANGER : Signale un risque EXTRÊME. Le non-respect d'une consigne d'un signal de DANGER ENTRAÎNERA des blessures graves voire mortelles pour vous-même ou pour les autres.
	AVERTISSEMENT : Signale un risque GRAVE. Le non-respect d'une consigne d'un signal d'AVERTISSEMENT de sécurité PEUT entraîner des blessures graves pour vous-même ou pour les autres.
	ATTENTION : Signale un risque MOYEN. Le non-respect d'une consigne d'un signal d'ATTENTION POURRAIT entraîner des dommages matériels ou des blessures graves pour vous-même ou pour les autres.

REMARQUE : Vous donne des informations ou des instructions capitales pour l'utilisation ou l'entretien de l'équipement.

Lisez le manuel de l'utilisateur et suivez toutes les consignes de sécurité et de prévention. Tout manquement peut entraîner des blessures graves pour l'utilisateur et/ou pour les personnes à proximité.

• CONSIGNES DE SÉCURITÉ IMPORTANTES •


LISEZ TOUTES LES INSTRUCTIONS AVANT L'UTILISATION

	AVERTISSEMENT : Lors de l'utilisation de l'appareil, respectez toutes les consignes de sécurité. Veuillez lire ces consignes avant d'utiliser l'appareil afin de garantir votre sécurité et celle des personnes à proximité. Conservez-les pour vous y référer ultérieurement.
--	---

- Lisez la notice attentivement et assurez-vous de bien comprendre le fonctionnement de l'appareil qui alimente cet accessoire.
- Lisez attentivement les instructions. Familiarisez-vous avec les commandes et la marche à suivre pour une bonne utilisation de l'appareil.
- N'utilisez pas cet appareil lorsque vous êtes fatigué, malade, ou sous l'influence de l'alcool, de drogues, ou de médicaments.
- Les enfants ne peuvent pas utiliser cet appareil. Les adolescents doivent être accompagnés et guidés par un adulte.
- Toutes les protections et tous les dispositifs de sécurité doivent être installés correctement avant l'utilisation de l'appareil.
- Inspectez l'appareil avant utilisation. Remplacez les pièces endommagées. Assurez-vous qu'il n'y a pas de fuites de carburant. Assurez-vous que toutes les attaches sont en place et solidement fixées. Remplacez les pièces fissurées, ébréchées ou endommagées. N'utilisez pas l'appareil avec des pièces endommagées ou desserrées.
- Inspectez attentivement la zone d'utilisation avant de démarrer cet appareil. Retirez tous les débris et objets durs ou tranchants tels que du verre, des câbles, etc.
- Soyez conscient des risques de blessure à la tête, aux mains et aux pieds.

- Faites quitter la zone d'utilisation aux enfants, aux personnes à proximité et aux animaux familiers de la zone d'utilisation; au minimum, faites les reculer de 15 m (50 pieds). Il existe néanmoins un risque de projectile pour les personnes à proximité. Encouragez les personnes à proximité à porter des lunettes de sécurité. Si quelqu'un s'approche de vous, arrêtez l'appareil immédiatement.

AVERTISSEMENTS DE SÉCURITÉ POUR LES APPAREILS À ESSENCE

	AVERTISSEMENT : L'essence est extrêmement inflammable et ses vapeurs peuvent exploser si on y met le feu. Veuillez prendre les précautions suivantes:
---	--

- Stockez uniquement le carburant dans des conteneurs prévus spécifiquement à cet effet et homologués pour le stockage de telles substances.
- Coupez toujours le moteur et laissez-le refroidir avant de remplir le réservoir. Ne retirez jamais le bouchon du réservoir de carburant et ne remplissez jamais ce dernier lorsque le moteur est chaud. Dévissez lentement le bouchon du réservoir de carburant afin de réduire la pression dans le réservoir avant de le remplir.
- Mélangez et ajoutez toujours le carburant en extérieur, dans une zone propre, bien aérée et dépourvue de toute source d'étincelles ou de flammes. NE fumez PAS.
- Ne démarrez jamais l'appareil sans avoir bien revissé le bouchon du réservoir de carburant.

- Évitez tout ce qui pourrait enflammer le carburant renversé. Tout carburant qui s'est échappé de l'appareil doit être immédiatement essuyé, avant de démarrer l'appareil. Éloignez l'appareil d'au moins 9,1 m (30 pieds) de la source et du site de ravitaillement en carburant avant de démarrer le moteur. NE fumez PAS.
- L'appareil ne doit pas être démarré ou utilisé à l'intérieur d'un espace ou d'un bâtiment clos. Inhaler les fumées du pot d'échappement peut provoquer la mort. Utilisez cet appareil uniquement en extérieur, dans une zone bien aérée.

AVERTISSEMENTS DE SÉCURITÉ CONCERNANT LES UNITÉS ÉLECTRIQUES



AVERTISSEMENT : Pour réduire le risque de décharge électrique, utilisez uniquement des rallonges approuvées pour une utilisation à l'extérieur, comme une rallonge de type SW-A, SOW-A, STW-A, STOW-A, SJW-A, SJOW-A, SJTW-W ou SJTOW-A. Les rallonges sont disponibles auprès de votre revendeur local. Utilisez uniquement des rallonges à gaine ronde approuvées pour une utilisation à l'extérieur.

- **ENSEMBLES DE CORDON :** Assurez-vous que votre cordon est en bon état. Lorsque vous utilisez un cordon, assurez-vous d'utiliser un cordon dont la capacité est suffisante pour supporter le courant de fonctionnement de l'unité. Un cordon à la capacité insuffisante causerait une baisse de tension entraînant une perte de puissance et une surchauffe. Consultez le manuel d'utilisation de l'unité qui alimentera cet accessoire pour connaître les tailles de cordon recommandées.
- Inspectez périodiquement toutes les rallonges et la connexion d'alimentation de l'unité. Observez attentivement toute détérioration, coupure ou fissure de l'isolation. Vérifiez également les connexions pour voir si elles présentent des dommages. Remplacez les cordons si vous y trouvez des défauts ou des dommages.
- Évitez de débrancher la partie moteur de la rallonge en cours de fonctionnement en utilisant une sangle de retenue pour prise, un connecteur ou en faisant un nœud (Fig. A).
- Évitez les environnements dangereux. Ne faites jamais fonctionner votre appareil dans un environnement humide ou mouillé. L'humidité constitue un risque d'électrocution.
- N'utilisez pas l'appareil sous la pluie. N'utilisez pas dans l'eau ou à proximité de l'eau.
- Ne manipulez pas la prise ou l'appareil avec les mains mouillées ou en vous tenant sur des surfaces mouillées.
- Ne laissez pas l'appareil branché lorsqu'il n'est pas utilisé, lorsque vous changez les accessoires ou durant son entretien.

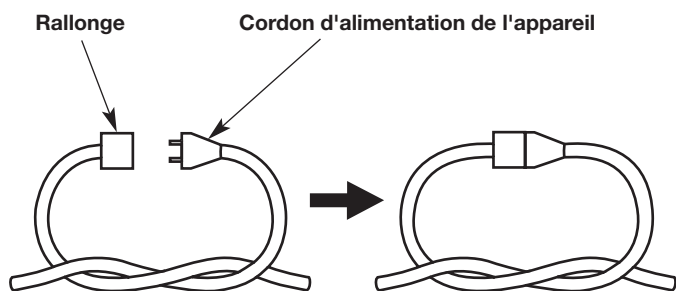


Fig. A

PENDANT L'UTILISATION

- Portez des lunettes de sécurité conformes aux normes ANSI Z87.1 en vigueur, lesquelles doivent être indiquées sur les lunettes mêmes. Portez une protection auditive lorsque vous utilisez cet appareil. Portez un masque de protection pour le visage ou anti-poussière si vous travaillez dans un endroit poussiéreux.
- Portez un pantalon long et épais, des bottes, des gants et une chemise à manches longues. Ne portez pas de vêtements amples, de bijoux, de pantalons courts, de sandales et ne marchez pas les pieds nus. Relevez les cheveux au-dessus des épaules.
- Assurez-vous que l'accessoire n'est pas en contact avec tout autre élément avant de démarrer l'appareil.
- Utilisez l'appareil uniquement à la lumière du jour ou sous un éclairage artificiel satisfaisant.
- Utilisez le bon outil. N'employez cet outil que pour l'usage pour lequel il a été prévu.
- Tenez toujours l'appareil à deux mains lorsque vous l'utilisez. Tenez fermement les deux poignées ou prises.
- N'essayez pas d'atteindre des espaces trop éloignés. Assurez-vous de toujours garder une position stable et un bon équilibre. Faites extrêmement attention lorsque vous travaillez sur des pentes raides ou des plans très inclinés.
- Gardez les mains, le visage et les pieds éloignés des parties en mouvement. Ne touchez pas et n'essayez pas d'arrêter l'une quelconque des parties mobiles.
- Ne faites pas tourner l'appareil à une vitesse supérieure à celle qui est nécessaire pour effectuer le travail. Ne faites pas tourner l'appareil à haut régime lorsque vous ne l'utilisez pas.
- Soyez extrêmement prudent lorsque vous retournez l'appareil ou le tirez vers vous.
- Ne forcez pas l'appareil. L'appareil sera plus efficace et plus sûr si vous l'utilisez à la vitesse pour laquelle il a été conçu.
- Arrêtez toujours l'appareil lorsque l'utilisation est interrompue ou lorsque vous vous déplacez d'un endroit à l'autre.
- Si l'appareil heurte ou s'emmêle avec un objet, arrêtez l'appareil immédiatement et vérifiez qu'il n'a pas été endommagé. N'utilisez pas l'appareil avant d'avoir réparé les dommages. N'utilisez pas l'appareil avec des pièces endommagées ou desserrées.
- Utilisez uniquement les pièces de rechange et accessoires du fabricant d'origine pour cet appareil. Vous pouvez vous les procurer auprès de votre concessionnaire agréé. L'utilisation de pièces ou d'accessoires autres pourrait entraîner des blessures graves pour l'utilisateur ou endommager l'appareil et annuler votre garantie.
- L'appareil doit rester propre. Retirez avec précaution la végétation et autres débris qui pourraient bloquer les pièces mobiles.
- Si l'appareil commence à vibrer de façon anormale, arrêtez-le immédiatement. Examinez l'appareil pour trouver la cause de la vibration. Une vibration indique généralement un problème.

AUTRES AVERTISSEMENTS DE SÉCURITÉ

- Toutes les réparations, autres que les procédures de maintenance décrites dans ce manuel, doivent être effectuées par un centre de réparations agréé.
- Avant d'inspecter, d'entretenir, de nettoyer, de ranger, de transporter ou de remplacer une pièce quelconque de l'appareil :
 1. Arrêtez l'appareil.
 2. Assurez-vous que toutes les pièces mobiles sont arrêtées.
 3. Laissez l'appareil refroidir.
 4. Pour les appareils alimentés à l'essence, débranchez le fil de la bougie. Pour les appareils fonctionnant à l'électricité, débranchez la source d'alimentation de l'appareil.

- N'entreposez jamais l'appareil ayant encore du carburant dans le réservoir à l'intérieur d'un bâtiment où les vapeurs peuvent entrer en contact avec une source de flammes nues (lampes témoin, etc.) ou d'étincelles (interrupteurs, moteurs électriques, etc.).
- Assurez-vous de bien arrimer l'appareil lorsque vous le transportez.
- Entreposez l'appareil dans un endroit sec, sécurisé ou en hauteur pour éviter tout usage non autorisé et pour éviter qu'il soit endommagé. Gardez toujours l'appareil hors de la portée des enfants.
- Ne mouillez ou n'arrosez jamais l'appareil avec de l'eau ou tout autre liquide. Conservez les poignées sèches et propres. Nettoyez l'appareil après chaque utilisation ; consultez les instructions de *Nettoyage et rangement*.
- Conservez ces instructions. Consultez-les fréquemment et utilisez-les pour donner des consignes aux autres utilisateurs. Si vous prêtez cet appareil à quelqu'un, incluez également ces instructions.

CONSERVEZ CES INSTRUCTIONS

• SYMBOLES INTERNATIONAUX ET DE SÉCURITÉ •

Ce manuel de l'utilisateur décrit les symboles et pictogrammes de sécurité internationaux qui peuvent apparaître sur cet appareil. Lisez ce manuel d'utilisation pour une information complète sur la sécurité, l'assemblage, l'utilisation, l'entretien et les réparations.

SIGNIFICATION DES SYMBOLES

	<ul style="list-style-type: none"> • SYMBOLE D'ALERTE DE SÉCURITÉ Indique un danger, un avertissement ou une mise en garde. Peut être utilisé de concert avec d'autres symboles ou pictogrammes.
	<ul style="list-style-type: none"> • LISEZ LE MANUEL DE L'UTILISATEUR AVERTISSEMENT : Lisez le(s) manuel(s) de l'utilisateur et suivez toutes les consignes de sécurité et de prévention. Tout manquement peut entraîner des blessures graves pour l'utilisateur et/ou pour les personnes à proximité.
	<ul style="list-style-type: none"> • PORTEZ UNE PROTECTION OCULAIRE ET AUDITIVE AVERTISSEMENT : Les objets projetés et le bruit peuvent entraîner des lésions oculaires graves et des pertes auditives. Portez toujours des lunettes de sécurité conformes aux normes ANSI Z87.1 en vigueur et des protections auditives lorsque vous utilisez cet appareil. Protégez-vous le visage avec un masque intégral au besoin.

SIGNIFICATION DES SYMBOLES

	<ul style="list-style-type: none"> • LES OBJETS PROJETÉS ET LES PIÈCES ROTATIVES PEUVENT CAUSER DES BLESSURES GRAVES AVERTISSEMENT : De petits objets peuvent être propulsés à grande vitesse et entraîner des blessures. Tenez-vous à l'écart des pièces rotatives.
	<ul style="list-style-type: none"> • ÉLOIGNEZ LES PERSONNES SE TROUVANT À PROXIMITÉ AVERTISSEMENT : Faites reculer les personnes se trouvant à proximité, en particulier les enfants et les animaux domestiques, d'au moins 15 m (50 pieds) de la zone de travail.
	<ul style="list-style-type: none"> • BALAIS MOTORISÉS — LES BROSSES ROTATIVES PEUVENT CAUSER DES BLESSURES GRAVES AVERTISSEMENT : Arrêtez le moteur et laissez les pièces mobiles s'arrêter avant de les installer ou de les enlever ou avant de les nettoyer ou d'effectuer un entretien quelconque. Gardez les mains et les pieds éloignés des pièces mobiles.

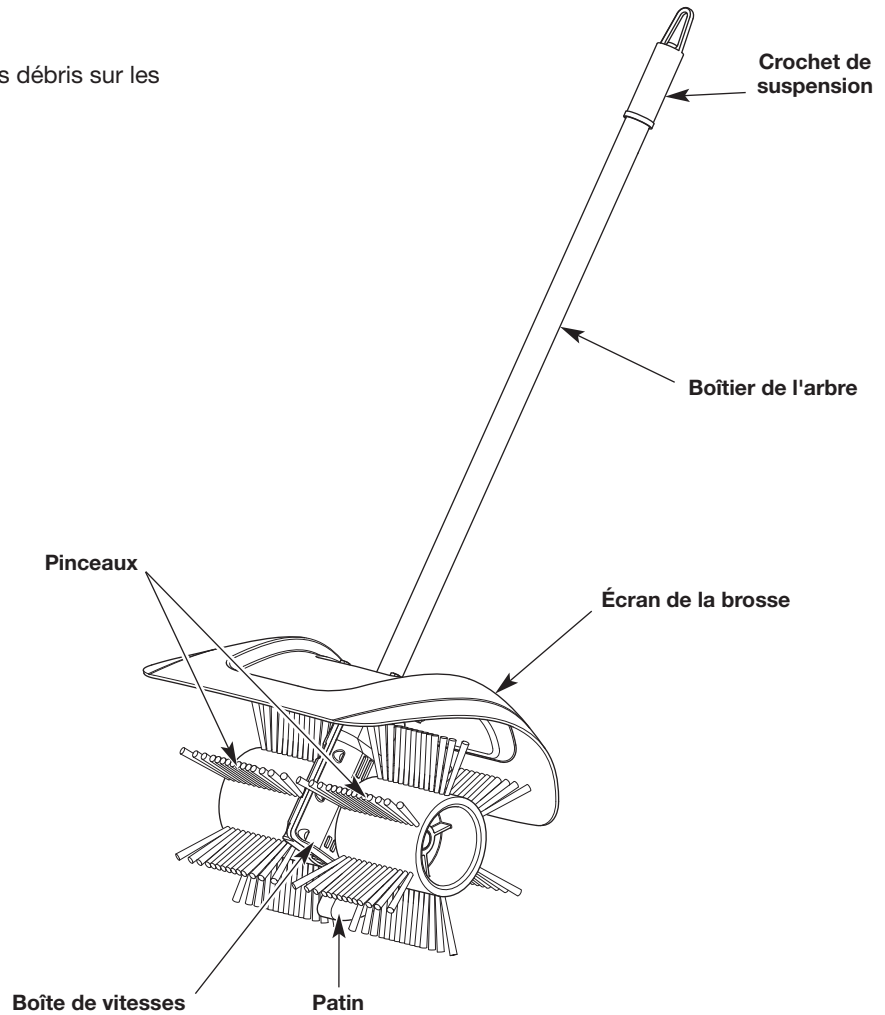
FAMILIARISEZ-VOUS AVEC VOTRE APPAREIL

APPLICATIONS

Comme brosse motorisée :

- Balayer la saleté, l'herbe, la neige ou d'autres débris sur les trottoirs et les entrées.

AUCUN OUTIL NÉCESSAIRE POUR L'ASSEMBLAGE



SPÉCIFICATIONS*

Poids approximatif (accessoire uniquement)	4,1 à 4,5 kg (9 à 10 lb)
Couloir dégagé	30,5 cm (12 po)

* L'ensemble des spécifications est basé sur les toutes dernières informations disponibles sur le produit à l'impression de ce manuel. Nous nous réservons le droit d'apporter des modifications à tout moment sans avis préalable.

UTILISATION DU COUPLEUR

Le coupleur permet l'utilisation de différents accessoires en option.



AVERTISSEMENT : Avant d'utiliser un accessoire, lire et comprendre le manuel livré avec l'accessoire. Respectez toutes les consignes de sécurité qu'il contient.



AVERTISSEMENT : pour éviter toute blessure grave ou dommage, arrêtez l'appareil avant de démonter ou d'installer un accessoire.

REMARQUE : pour faciliter l'installation ou le démontage de l'accessoire, placez l'appareil sur le sol ou sur un établi.

Installation de l'accessoire

REMARQUE : retirez le chapeau de protection et l'entretoise grise des arbres supérieur et inférieur afin de monter l'accessoire.

1. Tournez le bouton dans le sens horaire inverse pour le desserrer (Fig. 1).
2. Tout en tenant fermement l'accessoire, poussez-le tout droit dans le coupleur jusqu'à ce que le bouton de déclenchement s'enclenche correctement dans le trou primaire (Fig. 3).

REMARQUE : l'alignement du bouton de déclenchement avec l'évidement de guidage facilitera l'installation (Fig. 2).

3. Tournez le bouton dans le sens horaire pour le serrer (Fig. 1).

REMARQUE : Ne pas serrer l'écrou (Fig. 2).



ATTENTION : Avant d'utiliser l'appareil, s'assurer que le bouton de déverrouillage est entièrement enclenché dans l'orifice principal (Fig. 3) et que la poignée (Fig. 1) est bien serrée.



ATTENTION : Le bouton de déclenchement doit être enclenché dans l'orifice principal uniquement. L'utilisation du mauvais orifice pourrait provoquer des blessures graves ou endommager l'appareil.

Pour une bordure décorative réalisée avec un accessoire taille-bordures, verrouiller le bouton de déclenchement dans l'orifice de bordure à 90° (Fig. 1).

Démontage de l'accessoire

1. Tournez le bouton dans le sens horaire inverse pour le desserrer (Fig. 1).
2. Appuyez et maintenez enfoncé le bouton de déclenchement (Fig. 2).
3. Tout en tenant fermement le tube de l'arbre supérieur, tirez l'accessoire en ligne droite pour le détacher du coupleur (Fig. 3).

Orifice de bordure à 90°
(Tondeuse seulement)

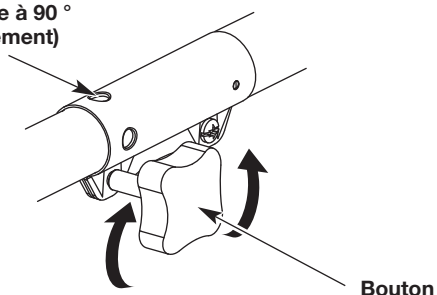


Fig. 1

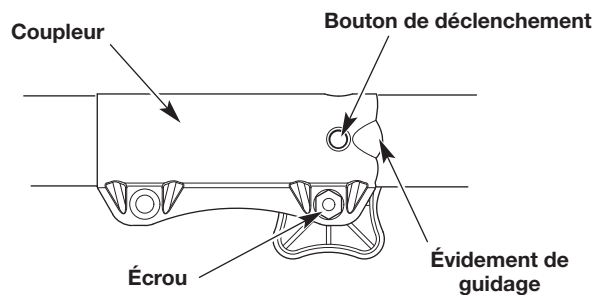


Fig. 2

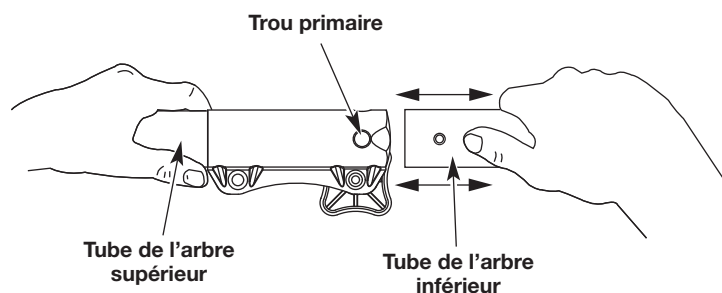


Fig. 3

COMMENT TENIR L'APPAREIL



AVERTISSEMENT : Portez toujours des lunettes de sécurité, des protecteurs antibruit et des protections pour les mains, le corps et les pieds pour réduire les risques de blessures lors de l'utilisation de l'appareil.

- Tenez-vous droit dans la position d'utilisation (Fig. 4).
- Tenez la prise de l'arbre de la main droite. Gardez le bras droit légèrement plié.
- Tenez la poignée avec la main gauche. Gardez le bras gauche bien droit.
- Tenez l'appareil à hauteur de votre taille.

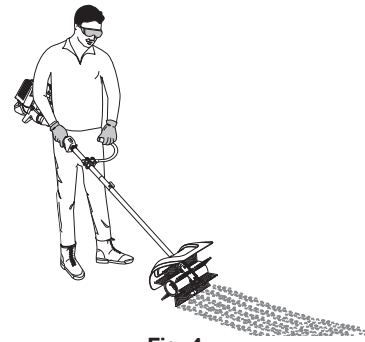


Fig. 4

CONSEILS POUR OBTENIR LES MEILLEURS RÉSULTATS

1. Déplacez l'appareil dans la zone de travail avant de le démarrer.



ATTENTION : Pour éviter de graves blessures, ne ramassez ou transportez jamais l'appareil lorsque le moteur est en marche.

2. Démarrez l'appareil.
3. Maintenez l'appareil fermement avec les deux mains et abaissez-le lentement jusqu'à ce que le patin entre en contact avec le sol.
4. Augmentez doucement la vitesse du moteur pour vous familiariser avec le maniement de l'appareil.
5. Avancez à une vitesse modérée avec l'unité pour balayer les débris vers l'avant (Fig. 4). En option, il peut être souhaitable d'incliner le balai motorisé légèrement vers la gauche afin de diriger les débris vers le côté.



AVERTISSEMENT : Pour éviter des blessures graves, soyez très prudent en renversant ou en tirant l'appareil vers vous.



AVERTISSEMENT : Afin d'éviter les blessures graves, n'effectuez jamais de réparation ou n'entretenez jamais l'appareil lorsqu'il est en fonctionnement. Laissez toujours l'appareil refroidir avant de le réparer. Pour les appareils alimentés à l'essence, débranchez le fil de la bougie pour empêcher qu'il ne démarre accidentellement. Pour les appareils électriques, débranchez l'appareil de la source d'alimentation pour l'empêcher de démarrer accidentellement.

REMARQUE : Certaines procédures d'entretien nécessitent des compétences ou des outils particuliers. Si vous n'êtes pas sûr de ces procédures, confiez l'appareil à un centre de réparations agréé.

REPLACEMENT DES MOYEUX DE LA BROSE ET DU PATIN



AVERTISSEMENT : Pour éviter des blessures graves, portez toujours des gants épais lorsque vous manipulez les brosses.

Les moyeux de la brosse et le patin doivent être remplacés en même temps, car ils s'useront uniformément dans le cadre d'une utilisation normale.

Retrait des anciens moyeux de la brosse

1. Assurez-vous que l'appareil est éteint.
2. Inclinez l'unité vers l'arrière de manière à ce qu'elle repose sur la prise du manche.

REMARQUE : Pour faciliter le processus de suppression, il peut s'avérer nécessaire de laver la saleté des moyeux de la brosse et de son matériel connexe.

3. Tout en maintenant le boulon de la brosse en place avec une clé de 1/2 po, utilisez une autre clé de 1/2 po pour desserrer l'écrou correspondant (Fig. 5).
4. Retirez le boulon et l'écrou de la brosse. Faites glisser les moyeux de brosse hors de l'arbre de sortie (Fig. 6).
5. Répétez les étapes 3 et 4 pour le côté opposé.

Retrait de l'ancien patin

1. Utilisez une clé 3/8 po pour enlever les deux écrous du patin. Retirez le patin de la boîte à engrenages (Fig. 7).

Installation du nouveau patin

1. Nettoyez la boîte à engrenages et les arbres de sortie.
2. Placez le nouveau patin sur les deux vis de fixation de la boîte à engrenage (Fig. 7).
3. Placez les deux écrous du patin sur les vis de fixation. Utilisez une clé 3/8 po pour serrer les écrous du patin de façon sécuritaire. (Fig. 7).

Installation des moyeux de la nouvelle brosse

1. Appliquez de l'huile mécanique fluide sur les arbres de sortie.
2. Faites glisser un nouveau moyeu de brosse sur l'arbre de sortie (Fig. 6).
3. Faites tourner le moyeu de brosse pour aligner l'orifice du moyeu de brosse avec l'orifice de l'arbre de sortie (Fig. 6).
4. Insérez un boulon de brosse à travers les orifices alignés. Placez un écrou sur le boulon à brosse (Fig. 6).
5. Tout en maintenant le boulon de la brosse en place avec une clé de 1/2 po, utilisez une autre clé de 1/2 po pour serrer l'écrou correspondant (Fig. 5).
6. Répétez les étapes 2 à 5 pour le côté opposé.

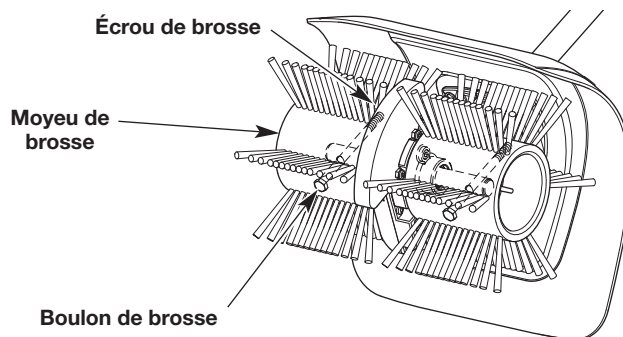


Fig. 5

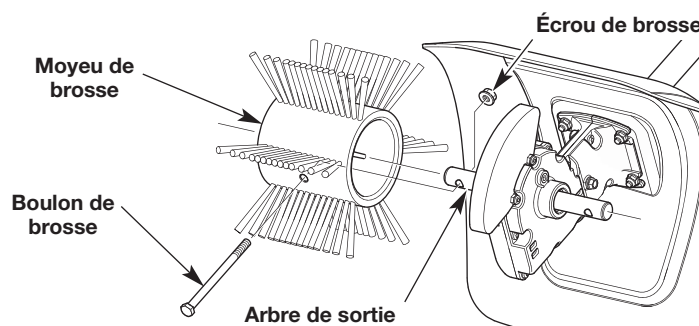


Fig. 6

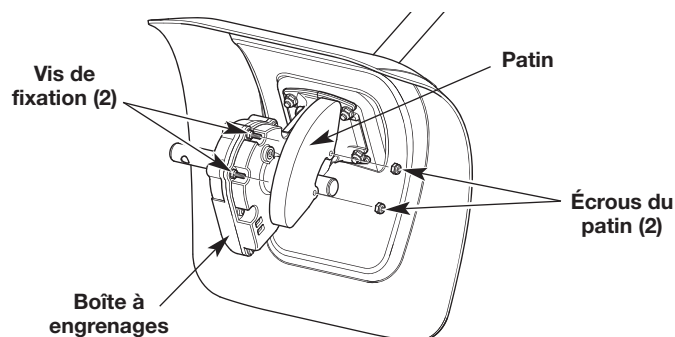


Fig. 7

NETTOYAGE



AVERTISSEMENT : Afin d'éviter des blessures graves, arrêtez toujours l'appareil et laissez-le refroidir avant tout nettoyage ou entretien.

Utilisez une petite brosse pour nettoyer l'extérieur de l'appareil. N'utilisez pas de détergents agressifs. Des produits d'entretien ménagers contenant des huiles aromatiques, telles que le pin ou le citron, et des solvants tels que le kérosène, peuvent endommager le plastique. Essuyez toute trace d'humidité avec un chiffon doux.

ENTREPOSAGE

- N'entrez jamais un appareil à moteur à essence là où les vapeurs peuvent entrer en contact avec une source de flammes ou d'étincelles.
- Laissez le moteur refroidir avant d'entreposer l'appareil.
- Rangez l'appareil sous clef pour éviter tout usage non autorisé et pour éviter qu'il soit endommagé.
- Entrez l'appareil dans un endroit sec et bien aéré.
- Entrez l'appareil hors de la portée des enfants.

Entreposage de longue durée

- Nettoyez soigneusement l'appareil et inspectez-le méticuleusement pour vérifier s'il n'y a pas de pièces détachées ou endommagées. Réparez ou remplacez les pièces endommagées et serrez tous les boulons, écrous et vis desserrés.

TrimmerPlus®

La garantie limitée énoncée ci-après est accordée par MTD LLC (« MTD ») et s'applique aux produits neufs achetés et utilisés aux États-Unis, ses possessions et territoires.

MTD garantit ce produit contre tout défaut de pièces et de main d'œuvre pendant une période de deux (2) ans à compter de la date d'achat initiale et s'engage à titre gratuit à réparer ou à remplacer, à sa discrétion, toute pièce présentant un défaut de pièces et de main d'œuvre. Cette garantie limitée s'applique uniquement si le produit a été utilisé et entretenu conformément aux instructions du manuel de l'opérateur livré avec le produit, et qu'il n'a pas fait l'objet d'une utilisation inadéquate, abusive, commerciale ou négligente, d'un accident, d'un entretien inapproprié, d'une modification, d'un acte de vandalisme, d'un vol, d'un incendie, d'une inondation ou d'un dommage découlant d'une catastrophe naturelle ou autre. Tout dommage découlant de l'installation ou de l'utilisation d'une pièce ou d'un accessoire non approuvé par MTD avec le(s) produit(s) couvert(s) dans le présent manuel annulera la garantie quant aux dommages qui en résulteraient. La présente garantie est limitée à quatre-vingt-dix (90) jours à compter de la date d'achat initiale d'un produit MTD utilisé à des fins locatives ou commerciales, ou toute utilisation produisant des revenus.

OBTENTION DU SERVICE DE GARANTIE : le service de garantie est disponible SUR PRÉSENTATION D'UNE PREUVE D'ACHAT AUPRES DE VOTRE CENTRE DE RÉPARATION LOCAL AGREE. Pour trouver le revendeur le plus proche, visitez notre site Internet sur www.trimmerplus.com ou www.trimmerplus.ca, consultez les pages jaunes, téléphonez au **1-800-345-8746** ou **1-800-668-1238** au Canada, ou adressez un courrier à P.O. Box 361131, Cleveland, OH 44136-0019. Aucun produit retourné directement à l'usine ne sera accepté si le service à la clientèle de MTD n'a pas accordé une autorisation préalable et écrite au client.

Cette garantie limitée ne s'applique pas dans les cas suivants :

- A. Mises au point : bougies, réglages du carburateur, filtres
- B. Éléments d'usure : boutons de butée, bobines extérieures, fil de coupe, moulins, poulie du démarreur, câbles de démarreur, courroies d'entraînement, chaînes de scie, barres de guidage, couteaux de cultivateur, lames.
- C. MTD n'accorde aucune garantie pour les produits vendus ou exportés des États-Unis d'Amérique, ses possessions et territoires, à l'exception des produits vendus par le biais du réseau agréé de distribution à l'exportation de MTD.

MTD se réserve le droit de modifier ou d'améliorer la conception de ses produits sans pour autant assumer l'obligation de modifier tout produit de fabrication plus ancienne.

Aucune garantie implicite, y compris toute garantie de qualité marchande ou d'adéquation à un usage particulier, n'est valable après la période applicable de la garantie expresse et écrite ci-dessus concernant les pièces qui sont identifiées. Aucune autre garantie expresse, écrite ou orale, à l'exception de celle mentionnée ci-dessus, accordée par toute personne ou entité, y compris un revendeur ou un distributeur, concernant tout produit ne peut engager MTD. Pendant la période de garantie, l'unique recours est la réparation ou le remplacement du produit dans les conditions énoncées ci-dessus. (Certains états n'autorisent pas la limitation de la durée d'une garantie implicite ; de ce fait, les limitations ci-dessus peuvent ne pas vous concerner.)

Les dispositions énoncées dans la présente garantie constituent le recours unique et exclusif inhérent à la vente. MTD ne sera pas tenu responsable des pertes ou dommages accessoires ou indirects, y compris sans aucune limite, les dépenses découlant de l'utilisation de services de remplacement ou de substitution pour l'entretien de votre pelouse, du transport ou des dépenses associées, ou de la location permettant le remplacement temporaire d'un produit garanti. (Certains états n'autorisent pas la limitation de la durée d'une garantie implicite ; de ce fait, les limitations ci-dessus peuvent ne pas vous concerner.)

Aucun recouvrement de quelque nature qu'il soit ne pourra dépasser le prix d'achat du produit vendu. Toute modification des dispositifs de sécurité du produit annulera cette garantie. Vous assumez le risque et la responsabilité résultant d'une perte, d'un dommage ou d'un préjudice que vous et vos biens et /ou que d'autres personnes et leurs biens pourront encourir du fait de l'utilisation normale ou abusive ou de l'incapacité à utiliser ce produit.

Cette garantie limitée ne doit en aucun cas inclure toute personne autre que l'acheteur d'origine, le preneur initial ou la personne à laquelle le produit a été offert.

Rapport de cette garantie avec les lois de chaque état : la présente garantie vous confère certains droits juridiques spécifiques, et vous pouvez bénéficier d'autres droits qui varient d'un état à l'autre.

Pour trouver le centre de réparation le plus proche, composez le **1-800-345-8746** aux États-Unis ou le **1-800-668-1238** au Canada.

MTD LLC

P.O. Box 361131
Cleveland, OH 44136-0019

TrimmerPlus®

Manual del Operador

Accesorio de escoba motorizada BR720

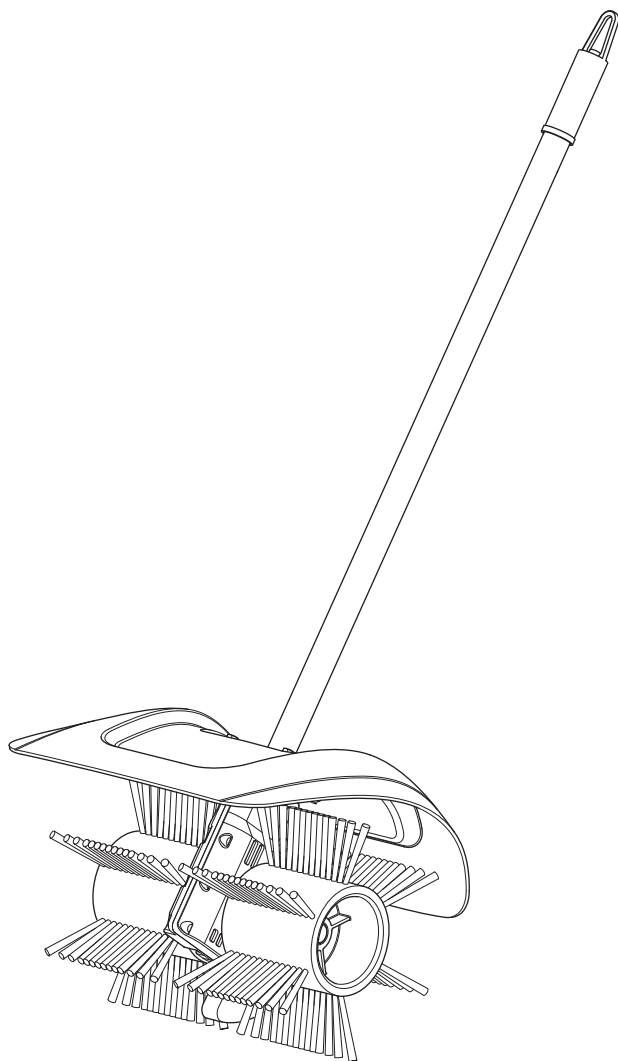


TABLA DE CONTENIDO

Servicio21
Seguridad22
Conozca su unidad25
Especificaciones25
Ensamblaje26
Operación27
Mantenimiento28
Limpieza y almacenamiento29
Garantía32

CONSERVE ESTAS INSTRUCCIONES

SERVICIO

NO DEVUELVA ESTA UNIDAD AL DISTRIBUIDOR. SE EXIGIRÁ COMPROBANTE DE COMPRA PARA LAS REPARACIONES Y EL MANTENIMIENTO QUE CUBRE LA GARANTÍA.

Por ayuda en relación con el montaje, los controles, el funcionamiento o el mantenimiento de la unidad, llame al Departamento de Asistencia al Cliente al **1-800-345-8746** en los Estados Unidos o al **1-800-668-1238** en Canadá. Se puede encontrar información adicional sobre la unidad en nuestro sitio web: **www.trimmerplus.com** (EE. UU.) o **www.trimmerplus.ca** (Canadá).

Por reparaciones y mantenimiento, llame al Departamento de Asistencia al Cliente a fin de obtener la lista de distribuidores de servicio autorizados de su zona. La reparación y el mantenimiento de la presente unidad, tanto dentro del período de la garantía como después de él, sólo debe realizarlos un distribuidor de servicio autorizado y aprobado. Cuando le dé servicio use únicamente piezas de reemplazo idénticas.

Toda la información, las ilustraciones y las especificaciones contenidas en este manual se basan en la información más reciente disponible en el momento de impresión del manual. Nos reservamos el derecho de hacer cambios en cualquier momento sin aviso previo. Copyright © 2012 MTD SOUTHWEST INC. Todos los derechos reservados.

SEGURIDAD

El propósito de los símbolos de seguridad es llamar la atención sobre posibles peligros. Los símbolos de seguridad y sus explicaciones merecen toda su atención y comprensión. Las advertencias de seguridad no eliminan de por sí ningún peligro. Las instrucciones o advertencias que dan no sustituyen las medidas adecuadas de prevención de accidentes.

Lea el manual del operador y siga todas las advertencias e instrucciones de seguridad. No hacerlo puede ocasionar lesiones graves al operador y/o a las personas presentes.

SÍMBOLO SIGNIFICADO

	PELIGRO: Indica un peligro EXTREMO. El no obedecer una señal de seguridad de PELIGRO TRAERÁ COMO CONSECUENCIA que usted u otras personas puedan sufrir lesiones graves o la muerte.
	ADVERTENCIA: Indica un peligro GRAVE. El no obedecer una señal de ADVERTENCIA de seguridad PUEDE conducir a que usted u otras personas sufran graves lesiones.
	PRECAUCIÓN: Indica un peligro MODERADO. El no obedecer una señal de PRECAUCIÓN de seguridad PUEDE conducir a daños a la propiedad o a que usted u otras personas se lesionen.

NOTA: Indica información o instrucciones de vital importancia para la operación o el mantenimiento del equipo.

• INSTRUCCIONES DE SEGURIDAD IMPORTANTES •

LEA TODAS LAS INSTRUCCIONES ANTES DE OPERAR LA UNIDAD

ADVERTENCIA: Al usar la unidad deben seguirse todas las normas de seguridad. Lea estas instrucciones antes de operar la unidad a fin de garantizar la seguridad del operador y de cualquier otra persona presente. Guarde estas instrucciones para poder usarlas más adelante.

- Lea cuidadosamente y entienda el manual del operador de la unidad que impulsa a este acople.
- Lea detenidamente las instrucciones. Familiarícese con los controles y el uso adecuado de la unidad.
- No opere esta unidad si está cansado, enfermo o bajo los efectos del alcohol, drogas o medicamentos.
- Los niños no deben operar la unidad. Los adolescentes deben estar acompañados y supervisados por un adulto.
- Todos los accesorios de protección y seguridad deben estar instalados adecuadamente antes de comenzar a operar la unidad.
- Inspeccione la unidad antes de utilizarla. Reemplace las piezas dañadas. Verifique que no haya fugas de combustible. Asegúrese de que todos los sujetadores estén en su sitio y asegurados. Cambie las piezas rajadas, melladas o dañadas de cualquier forma. No opere la unidad si hay piezas flojas o dañadas.
- Inspeccione cuidadosamente el área antes de encender la unidad. Elimine todos los escombros y los objetos duros o filosos tales como cristales, alambres, etc.
- Tenga en cuenta el riesgo de lesiones a la cabeza, las manos y los pies.

- Aleje a los niños, personas presentes y animales domésticos del área; manténgalos fuera de un radio de 50 pies (15 m) como mínimo. Aún así es posible que se arriesguen a ser golpeados por los objetos lanzados. Sugiera a los presentes usar protección para los ojos. Si alguien se le acerca, pare la unidad inmediatamente.

ADVERTENCIAS DE SEGURIDAD PARA UNIDADES DE GASOLINA

ADVERTENCIA: La gasolina es sumamente inflamable y, de prenderse, sus vapores pueden hacer explosión. Tome las siguientes precauciones:

- Almacene el combustible solo en los recipientes diseñados y aprobados específicamente para estos materiales.
- Pare siempre el motor y deje que se enfríe antes de llenar el tanque. Nunca quite la tapa del tanque de combustible ni eche combustible cuando el motor esté caliente. Antes de llenar el tanque, siempre afloje la tapa lentamente para disipar la presión del mismo.
- Mezcle o eche siempre el combustible en un área exterior bien ventilada y limpia, donde no haya chispas ni llamas. NO fume.
- No opere nunca la unidad si la tapa del combustible no está bien asegurada en su lugar.
- Evite el peligro de incendio debido a combustible derramado. Limpie de inmediato todo combustible derramado de la unidad antes de encenderla. Antes de arrancar el motor, aleje la unidad a una distancia de 30 pies (9.1 m) como mínimo del lugar de abasto de combustible. NO fume.

- No arranque ni use nunca la unidad dentro de una habitación o edificio cerrados. Inhalar los gases de escape puede ser fatal. Opere esta unidad solamente en un área exterior bien ventilada.

ADVERTENCIAS DE SEGURIDAD PARA LAS UNIDADES ELÉCTRICAS



ADVERTENCIA: Para reducir el riesgo de descarga eléctrica, use sólo cables de extensión aprobados para uso en exteriores, como un cable de extensión con cable tipo SW-A, SOW-A, STW-A, STOW-A, SJW-A, SJOW-A, SJTW-W o SJTOW-A. Puede adquirir cables de extensión en su distribuidor local. Use sólo cables de extensión de camisa cilíndrica aprobados para su uso al exterior.

- **JUEGOS DE CABLES:** Verifique que su juego de cable esté en buenas condiciones. Cuando use un juego de cables, verifique que el cable que usa es lo suficientemente grueso para conducir la corriente que consumirá la unidad. Un juego de cables de menor calibre puede causar una caída de voltaje en la línea y ocasionar la pérdida de energía y recalentamiento. Vea el manual del operador de la unidad que le dará electricidad a este accesorio para saber la medida recomendada para el cable.
- Inspeccione todos los cables de extensión y la conexión eléctrica de la unidad con frecuencia. Observe en detalle si existe deterioro, cortes o grietas en el aislamiento. Inspeccione también si existen daños en las conexiones. Cambie los cables si encuentra algún defecto o daño.
- Evite que el cabezal motorizado se desconecte del cable de extensión durante la operación usando una correa de sujeción en el receptáculo o enchufe, un conector, o hágale un nudo (Fig. A).
- Evite los ambientes peligrosos. No opere nunca su unidad en ambientes húmedos ni mojados. La humedad representa un peligro de descarga eléctrica.
- No use la unidad bajo la lluvia. No la use dentro del agua ni alrededor de ella.
- No toque el enchufe ni la unidad con las manos mojadas ni parado sobre superficies mojadas.
- Do not leave the unNo deje la unidad enchufada cuando no se utilice, esté cambiando los accesorios o mientras se le está dando mantenimiento.

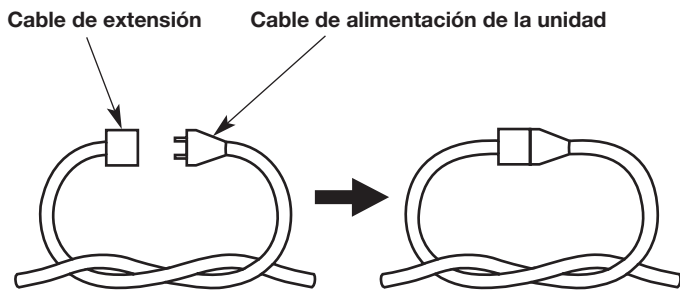


Fig. A

AL OPERAR LA UNIDAD

- Use gafas o lentes de seguridad que cumplan con las normas actuales ANSI Z87.1 y estén marcados como tales. Use siempre protección para los oídos al operar esta unidad. Si la operación levanta polvo, lleve puesta una máscara facial o contra el polvo.
- Use pantalones largos y gruesos, botas, guantes y camisa de mangas largas. No use ropa holgada, alhajas, pantalones cortos, sandalias ni ande descalzo. Asegure su cabello por encima del nivel de los hombros.
- Antes de arrancar la unidad, asegúrese de que la cuchilla no haga contacto con ningún objeto.
- Use la unidad únicamente a la luz del día o con buena luz artificial.
- Use la herramienta correcta. Use esta herramienta solamente con el propósito previsto.
- Sostenga siempre la unidad con ambas manos al operarla. Agarre firmemente ambos mangos o empuñaduras.
- No intente alcanzar demasiado lejos. Mantenga siempre una posición y equilibrio adecuados. Tenga mucho cuidado cuando esté trabajando en pendientes pronunciadas o inclinadas.
- Mantenga las manos, la cara y los pies lejos de todas las partes móviles. No toque o trate de detener las piezas móviles.
- No opere la unidad a una velocidad mayor que la necesaria para recortar bordes. No opere la unidad a alta velocidad cuando no esté recortando bordes.
- Tenga mucho cuidado cuando invierta o mueva la unidad hacia usted.
- No fuerce el equipo. El mismo trabajará mejor y con mayor seguridad si lo utiliza a la velocidad para la que ha sido diseñado.
- Pare siempre la unidad cuando posponga el trabajo o mientras camine entre diferentes zonas de corte.
- Si golpea o se enreda con un objeto extraño, pare de inmediato la unidad y verifique si hay algún daño. No ponga a funcionar el equipo sin reparar el daño. No opere la unidad si hay piezas flojas o dañadas.
- Use únicamente para esta unidad las piezas de repuesto y accesorios del fabricante original. Estas se encuentran disponibles en su distribuidor de servicio autorizado. El uso de cualquier pieza o accesorio no autorizado podría causar lesiones graves al usuario o daños a la unidad y anular la garantía.
- Mantenga limpia la unidad. Quite con cuidado cualquier resto de vegetación u otros residuos que puedan bloquear las piezas móviles.
- Si la unidad comienza a vibrar anormalmente, deténgala de inmediato. Inspeccione la unidad para encontrar la causa de la vibración. Generalmente, la vibración es un indicador de problemas.

OTRAS ADVERTENCIAS DE SEGURIDAD

- Todas las tareas de reparación, con excepción de los procedimientos de mantenimiento que se describen en este manual, deben ser realizados por un distribuidor de servicio autorizado.
- Antes de inspeccionar, dar mantenimiento, limpiar, guardar, transportar o reemplazar cualquier pieza de la unidad:
 1. Detenga la unidad.
 2. Asegúrese de que todas las piezas móviles estén detenidas.
 3. Espere a que la unidad se enfríe.
 4. Para las unidades que funcionan con gasolina, desconecte el cable de la bujía. Para las unidades que funcionan con electricidad, desconecte la unidad de la alimentación eléctrica.
- No guarde nunca la unidad con combustible en el tanque ni dentro de una edificación en la que los gases puedan ponerse en contacto con una llama expuesta (luces piloto, etc.) o chispas (interruptores, motores eléctricos, etc.).




- Cerciórese de asegurar bien la unidad al transportarla.
- Guarde la unidad en un lugar seco, bajo llave o en alto, a fin de evitar su uso no autorizado o daño. Manténgala fuera del alcance de los niños.
- No moje ni rocíe la unidad con agua ni con ningún otro líquido. Mantenga los mangos secos, limpios y sin suciedades. Limpie la unidad después de cada uso, consulte las instrucciones de *Limpieza y almacenamiento*.
- Guarde estas instrucciones. Consúltelas con frecuencia y utilícelas para instruir a otros usuarios. Si le presta esta unidad a alguien, préstele también estas instrucciones.

GUARDE ESTAS INSTRUCCIONES




• SÍMBOLOS INTERNACIONALES Y DE SEGURIDAD •

Este manual del operador describe símbolos y pictografías internacionales y de seguridad que posiblemente aparezcan en este producto. Lea el manual del operador para informarse bien sobre la seguridad, ensamblaje, operación, mantenimiento y reparación.

SÍMBOLO SIGNIFICADO

	<ul style="list-style-type: none"> • SÍMBOLO DE ALERTA DE SEGURIDAD Indica peligro, advertencia o precaución. Puede utilizarse junto a otros símbolos o pictografías.
	<ul style="list-style-type: none"> • LEA EL MANUAL DEL OPERADOR ADVERTENCIA: Lea el o los manuales del operador y siga todas las advertencias e instrucciones de seguridad. No hacerlo puede ocasionar lesiones graves al operador y/o a las personas presentes.
	<ul style="list-style-type: none"> • USE PROTECCIÓN PARA LOS OJOS Y OÍDOS ADVERTENCIA: Los objetos lanzados y el ruido fuerte pueden ocasionar lesiones graves a los ojos y pérdida de la audición. Al operar esta unidad, use protección para los ojos que cumpla con la normas ANSI Z87.1 y protección para los oídos. De ser necesario, use un protector facial completo.

SÍMBOLO SIGNIFICADO

	<ul style="list-style-type: none"> • LOS OBJETOS QUE SON ARROJADOS POR EL AIRE Y LAS PARTES ROTATORIAS PUEDEN PROVOCAR LESIONES GRAVES ADVERTENCIA: Los objetos pequeños pueden ser lanzados a gran velocidad y ocasionar lesiones. Manténgase alejado de las partes rotatorias.
	<ul style="list-style-type: none"> • MANTENGA ALEJADOS A LOS PRESENTES ADVERTENCIA: Mantenga a todos los presentes, especialmente a los niños y animales domésticos, a una distancia de al menos 50 pies (15 m).
	<ul style="list-style-type: none"> • ESCOBAS MOTORIZADAS – LOS CEPILLOS ROTATORIOS PUEDEN CAUSAR LESIONES GRAVES ADVERTENCIA: Apague el motor y deje que todas las partes rotatorias se detengan antes de instalar o extraer cualquier parte o accesorio o antes de limpiar o realizar cualquier tarea de mantenimiento. Mantenga las manos y los pies alejados de las partes rotatorias.

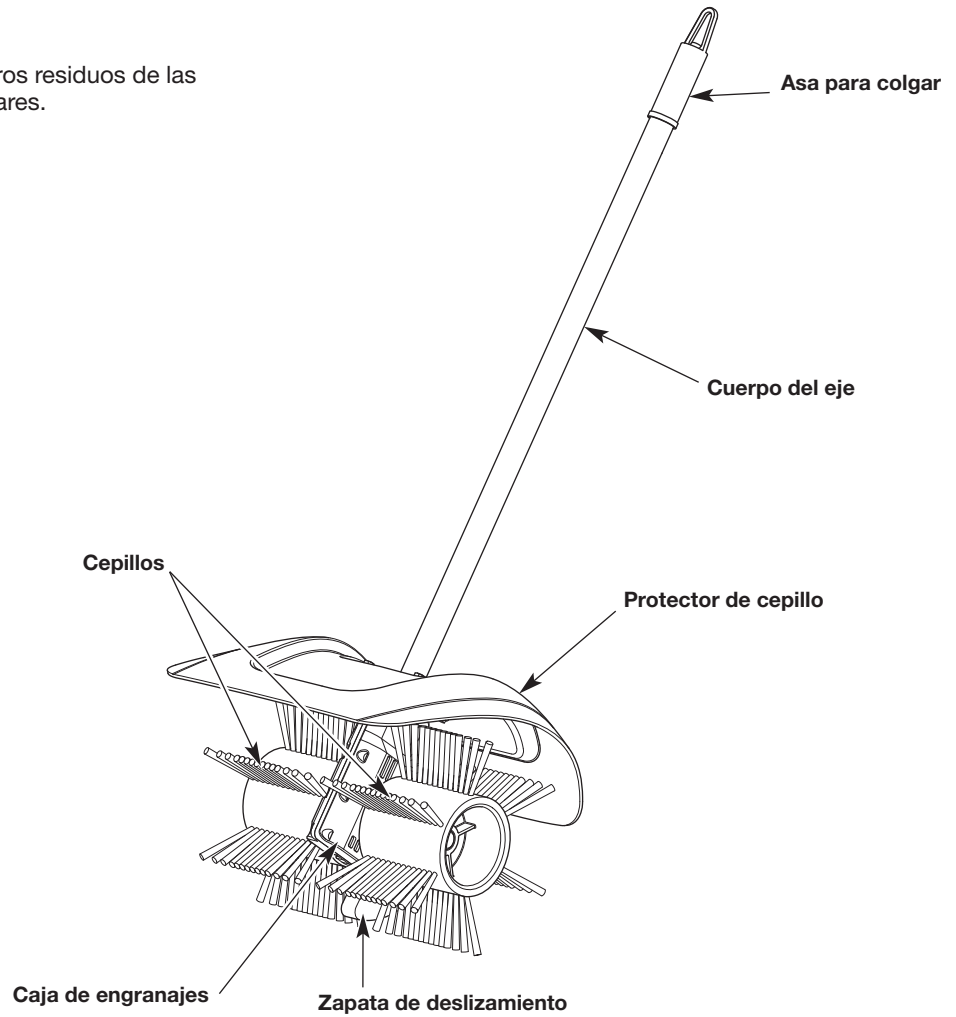
CONOZCA SU UNIDAD

USOS

Como escoba motorizada:

- Barre la suciedad, el césped, la nieve u otros residuos de las veredas y los caminos de entrada particulares.

NO SE REQUIERE DE HERRAMIENTAS PARA EL ENSAMBLAJE



ESPECIFICACIONES*

Peso aproximado de la unidad (sólo el accesorio)	9 - 10 libras (4.1 - 4.5 kg)
Ancho del trayecto de limpieza	12 pulgadas (30,5 cm)

* Todas las especificaciones se basan en la información del producto más reciente disponible en el momento de la impresión. Nos reservamos el derecho de hacer cambios en cualquier momento, sin previo aviso.

FUNCIONAMIENTO DEL ACOPLADOR

El acoplador permite el uso de varios accesorios opcionales.

	ADVERTENCIA: Antes de comenzar a utilizar cualquiera de los accesorios, lea y comprenda el manual que viene con dicho accesorio. Tenga en cuenta toda la información de seguridad que incluye.
--	---

	ADVERTENCIA: A fin de evitar lesiones personales graves y daños a la unidad, apáguela antes de extraer o instalar un accesorio.
--	--

NOTA: Para facilitar la instalación o la extracción de los accesorios, ubique la unidad en el suelo o sobre un banco de trabajo.

Instalación del accesorio

NOTA: Retire la tapa de protección y el espaciador gris de los ejes superior e inferior antes de ensamblar el accesorio.

1. Gire la perilla en el sentido contrario a las agujas del reloj para aflojarla (Fig. 1).
2. Mientras sujeta con firmeza el accesorio, empújelo en línea recta dentro del acoplador hasta que el botón de liberación entre a presión y quede firme dentro del orificio principal (Fig. 3).

NOTA: La alineación del botón de liberación con el embutimiento de guía ayudará en la instalación (Fig. 2).

3. Gire la perilla en el sentido de las agujas del reloj para ajustar (Fig. 1).

NOTA: No ajuste demasiado la tuerca (Fig. 2).

	PRECAUCIÓN: Antes de utilizar esta unidad, asegúrese de que el botón de liberación entre a presión completamente dentro del orificio principal (Fig. 3) y que la perilla (Fig. 1) quede bien ajustada.
--	---

	PRECAUCIÓN: Este botón de liberación debe colocarse a presión solamente en el orificio principal. Si se utiliza un orificio equivocado, se podrían producir lesiones personales o daños a la unidad.
--	---

Para un reborde decorativo con un accesorio de recorte, trabe el botón de liberación en el orificio de recorte de bordes de 90° (Fig. 1).

Extracción del accesorio

1. Gire la perilla en el sentido contrario a las agujas del reloj para aflojarla (Fig. 1).
2. Oprima y mantenga apretado el botón de liberación (Fig. 2).
3. Mientras sujeta firmemente el alojamiento del eje superior, tire del accesorio de manera recta para sacarlo del acoplador (Fig. 3).

Orificio de recorte de bordes de 90°
(recortadora únicamente)

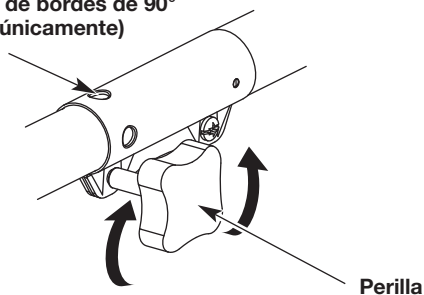


Fig. 1

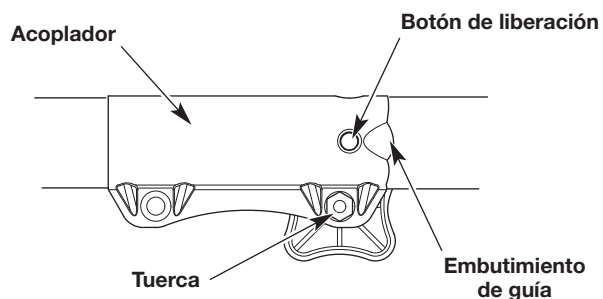


Fig. 2

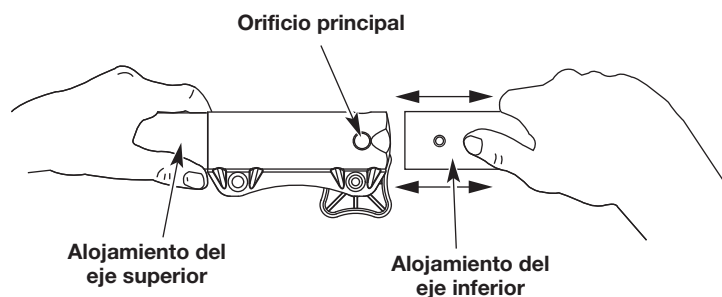


Fig. 3

SUJETAR LA UNIDAD



ADVERTENCIA: Al operar esta unidad, lleve siempre puesta protección para los ojos, oídos, pies y cuerpo a fin de reducir el riesgo de lesiones.

- Párese en la posición de operación (Fig. 4).
- Sostenga la empuñadura del eje con la mano derecha. Mantenga el brazo derecho ligeramente flexionado.
- Sujete el mango con la mano izquierda. Mantenga el brazo izquierdo recto.
- Sujete la unidad a la altura de la cintura.



Fig. 4

RECOMENDACIONES PARA MEJORES RESULTADOS

1. Mueva la unidad al área de trabajo antes de arrancar el motor.



PRECAUCIÓN: Para evitar lesiones personales graves, nunca levante o transporte la unidad mientras el motor está funcionando.

2. Arranque la unidad.
3. Sostenga firmemente la unidad con ambas manos y bájela lentamente hasta que la zapata de deslizamiento esté en contacto con el piso.
4. Aumente gradualmente la velocidad del motor para familiarizarse con el manejo de la unidad.
5. Avance con la unidad a una velocidad moderada para barrer los residuos hacia adelante (Fig. 4). Opcionalmente, puede ser conveniente inclinar levemente el cepillo eléctrico a la izquierda para correr los residuos hacia el costado.



ADVERTENCIA: Para evitar graves lesiones personales, tenga mucho cuidado cuando invierta o gire la unidad hacia usted.



ADVERTENCIA: Para evitar lesiones graves, no haga nunca ningún mantenimiento ni reparación con la unidad funcionando. Siempre deje que la unidad se enfríe antes de darle mantenimiento o repararla. Para las unidades que funcionan con gasolina, desconecte el cable de la bujía para prevenir que la unidad se encienda por accidente. Para las unidades que funcionan con electricidad, desconecte la unidad de la alimentación eléctrica para prevenir que la unidad se encienda por accidente.

NOTA: Es posible que algunos procedimientos de mantenimiento requieran herramientas o habilidades especiales. Si no está seguro acerca de estos procedimientos, lleve la unidad a un distribuidor de servicio autorizado.

REEMPLAZO DE LOS CUBOS DEL CEPILLO Y LA ZAPATA DE DESLIZAMIENTO



ADVERTENCIA: Para evitar lesiones personales graves, use siempre guantes gruesos para manipular los cepillos.

Los cubos del cepillo y la zapata de deslizamiento deben ser reemplazados al mismo tiempo, debido a que se desgastan de manera pareja durante el uso normal.

Extracción de los cubos de cepillo viejos

1. Asegúrese de que la unidad esté apagada.
2. Recueste la unidad de modo que descansa en la empuñadura del eje.

NOTA: Para ayudar al proceso de extracción, limpie la suciedad de los cubos de cepillo y las piezas relacionadas.

3. Cuando use una llave de 1/2 pulgada para mantener un perno en el lugar, use otra llave de 1/2 pulgada para aflojar la tuerca de cepillo correspondiente (Fig. 5).
4. Retire el perno y la tuerca del cepillo. Saque el cubo del cepillo deslizándolo fuera del eje de salida (Fig. 6).
5. Repita los pasos 3 y 4 para el lado contrario.

Extracción de la zapata de deslizamiento vieja

1. Use una llave de 3/8 pulgadas para retirar las dos tuercas de la zapata de deslizamiento. Retire la zapata de deslizamiento de la caja de engranajes (Fig. 7).

Instalación de la zapata de deslizamiento nueva

1. Limpie la caja de engranajes y los ejes de salida.
2. Coloque la zapata de deslizamiento nueva sobre los dos tornillos de montaje en la caja de engranajes (Fig. 7).
3. Coloque las dos tuercas de la zapata de deslizamiento sobre los tornillos de montaje. Use una llave de 3/8 pulgada para ajustar bien las tuercas de la zapata (Fig. 7).

Instalación de los cubos de cepillo nuevos

1. Aplique a los ejes de salida un aceite liviano de máquina.
2. Coloque un cubo de cepillo nuevo en un eje de salida (Fig. 6).
3. Rote el cubo para alinear el orificio del cubo de cepillo con el orificio del eje de salida (Fig. 6).
4. Inserte a través de los orificios alineados un perno de cepillo. Coloque una tuerca de cepillo en el perno del cepillo (Fig. 6).
5. Cuando use una llave de 1/2 pulgada para mantener un perno en el lugar, use otra llave de 1/2 pulgada para ajustar bien la tuerca de cepillo correspondiente (Fig. 5).
6. Repita los pasos 2 a 5 para el lado contrario.

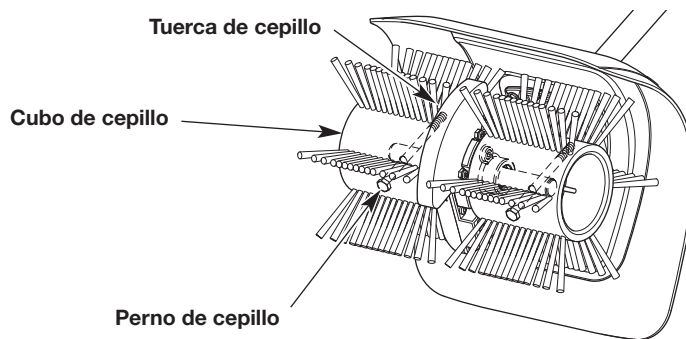


Fig. 5

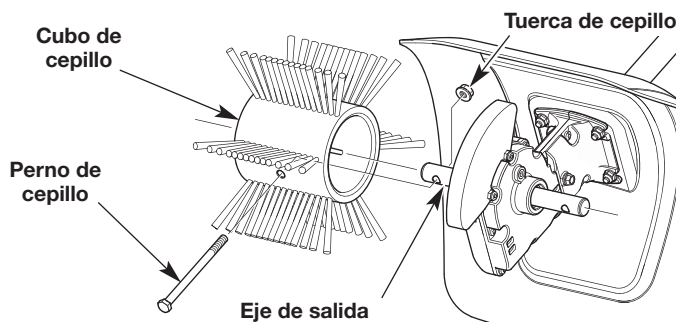


Fig. 6

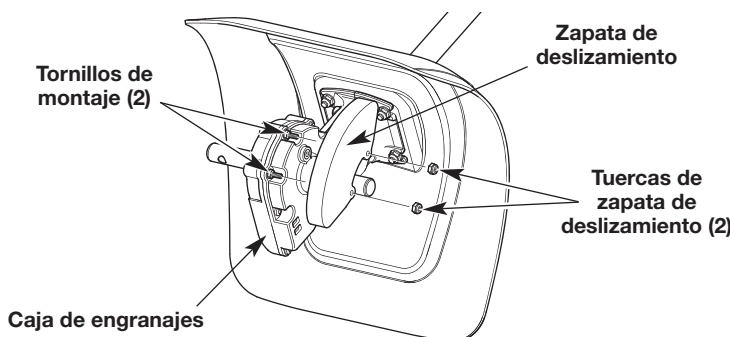


Fig. 7

LIMPIEZA



ADVERTENCIA: Para evitar lesiones personales graves, apague siempre la unidad y deje que se enfríe antes de limpiarla o darle mantenimiento.

Use un cepillo pequeño para limpiar la unidad por fuera. No utilice detergentes fuertes. Los limpiadores caseros que contienen aceites esenciales, por ejemplo, de pino y limón, y los solventes como el queroseno, pueden dañar el plástico. Seque la humedad con un paño suave.

ALMACENAMIENTO

- No guarde nunca la unidad con combustible en el tanque en un lugar en el que los gases puedan ponerse en contacto con una llama expuesta o chispas.
- Espere a que el motor se enfríe para guardar la unidad.
- Guarde la unidad bajo llave para evitar su uso no autorizado o daño.
- Guarde la unidad en un lugar seco y bien ventilado.
- Guarde la unidad fuera del alcance de los niños.

Almacenamiento a largo plazo

- Limpie bien la unidad y compruebe que no haya piezas sueltas o dañadas. Repare o reemplace las piezas dañadas y apriete los tornillos, tuercas o pernos flojos.

GARANTÍA LIMITADA DEL FABRICANTE PARA:

TrimmerPlus®

La garantía limitada que se extiende a continuación es otorgada por la empresa MTD LLC (MTD) y cubre mercaderías nuevas compradas y utilizadas en los Estados Unidos, sus posesiones y territorios.

MTD garantiza este producto por defectos materiales y de fabricación por un período de dos (2) años a partir de la fecha de la compra original y reparará o cambiará sin cargo cuando lo considere pertinente todas las piezas con defectos materiales o de fabricación. Esta garantía limitada sólo se aplicará si el producto ha sido operado y mantenido de acuerdo con las instrucciones del Manual del Operador que se proporciona con el producto y no ha sido sujeto a uso inapropiado, abuso, uso comercial, abandono, accidente, mantenimiento incorrecto, alteración, vandalismo, robo, incendio, inundación o algún daño debido a otro peligro o desastre natural. El daño resultante por la instalación o el uso de accesorios o uniones no aprobados por MTD para su uso con el(los) producto(s) incluido(s) en este manual anulará la garantía en lo que respecta a esos daños. La presente garantía se limita a noventa (90) días a partir de la fecha de la compra minorista original por cualquier producto MTD que se utiliza para fines comerciales o de alquiler, o para cualquier otro objetivo lucrativo.

CÓMO SOLICITAR Y OBTENER SERVICIO TÉCNICO: El servicio de la garantía está disponible, CON PRUEBA DE COMPRA A TRAVÉS DEL DISTRIBUIDOR LOCAL AUTORIZADO PARA EL MANTENIMIENTO. Para ubicar a un distribuidor en su área, visite nuestro sitio web en www.trimmerplus.com o www.trimmerplus.ca, consulte un listado en las Páginas Amarillas, llame al **1-800-345-8746** o al **1-800-668-1238** en Canadá, o escriba a P.O. Box 361131, Cleveland, OH 44136-0019. No se aceptará ningún producto que sea enviado directamente a la fábrica sin que haya una previa autorización por escrito emitida por el Departamento de Asistencia al Cliente de MTD.

Esta garantía limitada no suministra cobertura en los siguientes casos:

- A. Puestas a punto – Bujías, ajustes al carburador, filtros
- B. Artículos de desgaste – Perillas de impacto, bobinas exteriores, hilo de corte, carretes interiores, polea de arranque, cuerdas de arranque, correas de transmisión, motosierras, barras de guía, dientes de la cultivadora, cuchillas.
- C. MTD no extiende ninguna garantía para los productos vendidos o exportados fuera de los Estados Unidos de América, sus posesiones y territorios, excepto para aquellos vendidos a través de los canales autorizados de distribución de exportaciones de MTD.

MTD se reserva el derecho a cambiar o mejorar el diseño de cualquier Producto MTD sin asumir ningún tipo de obligación de modificar ningún producto fabricado previamente.

No se otorgan garantías implícitas, incluidas las garantías implícitas de comerciabilidad o de adecuación para un propósito determinado, después del período de garantía escrita expresa aplicable anteriormente mencionado para las piezas identificadas. MTD no se verá comprometido por ninguna otra garantía expresa, oral o escrita sobre un producto, excepto la mencionada anteriormente, extendida por personas físicas o personas jurídicas, incluidos los distribuidores o los minoristas. Durante el plazo de la garantía el único recurso es la reparación o el reemplazo del producto como se indicó anteriormente. (Algunos estados no permiten las limitaciones a la duración de las garantías implícitas por lo que la limitación antes mencionada puede no serle de aplicación.)

Las disposiciones incluidas en esta garantía proveen el recurso único y exclusivo que surge de las ventas. MTD no será responsable por pérdidas o daños incidentales o directos, incluyendo sin límites los gastos incurridos para los servicios de cuidado del pasto de reemplazo o cambio, los gastos de transporte o los gastos relacionados, o los gastos de alquiler para reemplazar de manera transitoria un producto bajo garantía. (Algunos estados no permiten las limitaciones a la duración de las garantías implícitas por lo que la limitación antes mencionada puede no serle de aplicación.)

En ningún caso se obtendrá una compensación mayor al monto del precio de compra del producto adquirido. La alteración de las características de seguridad del producto anulará esta garantía. Usted asume el riesgo y la responsabilidad por las pérdidas, daños o lesiones que sufra Usted y sus bienes y / o otras personas y sus bienes como consecuencia del uso, del uso incorrecto o de la imposibilidad de uso de este producto.

Esta garantía limitada alcanza solamente al comprador original, al arrendatario original o a la persona que recibió el producto de regalo.

Relación de la ley estadual con esta garantía: Esta garantía le otorga derechos legales específicos, pero usted podría gozar de otros derechos que varían en cada estado.

Para ubicar su distribuidor de servicio más cercano, marque **1-800-345-8746** en los Estados Unidos o **1-800-668-1238** en Canadá.

MTD LLC

P.O. Box 361131

Cleveland, OH 44136-0019