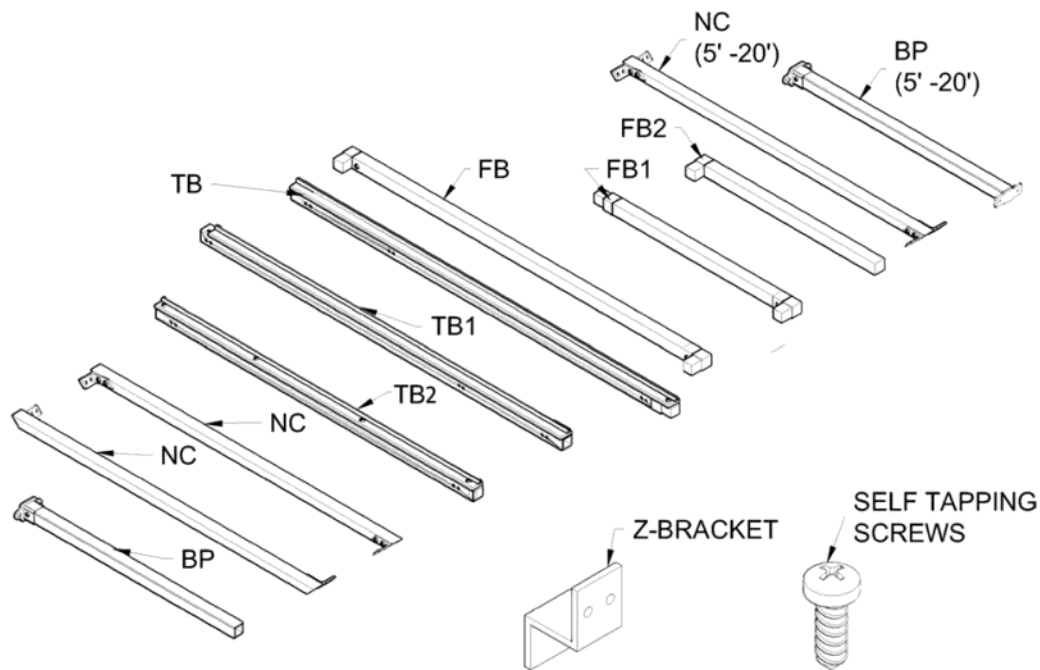
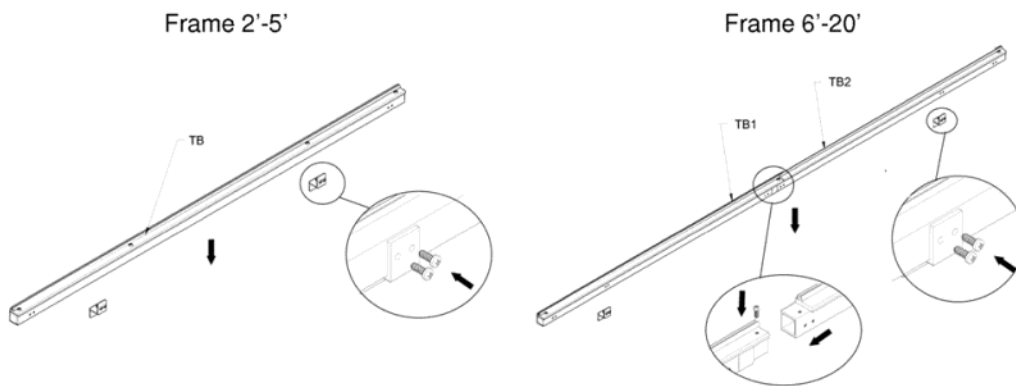


STEP 1: Separate all of the parts, so they will be easy to assemble.

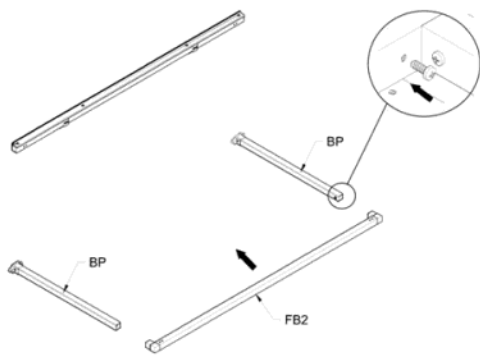


STEP 2: The Top Bar (TB) must be installed first. Mount Provided Z-Brackets to surface, and insert TB into brackets. The C-Channel must be close to the wall. Before installing the TB you must make sure that there is enough space below to install BP. (Please see the chart below for the height measurements)

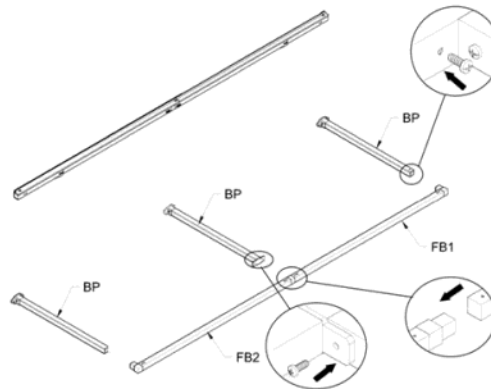


STEP 3: Insert the L shaped plastic ends of the Front Bar (FB) in to Left and Right Black Projection Bar (BP) and then secure them with self-tapping screws. The Velcro on the front bar (FB) faces towards you. **Note: On earlier models, the Velcro will be on top of the front bar (FB), Pay close attention to the black angle ends.*

Frame 2'-5'

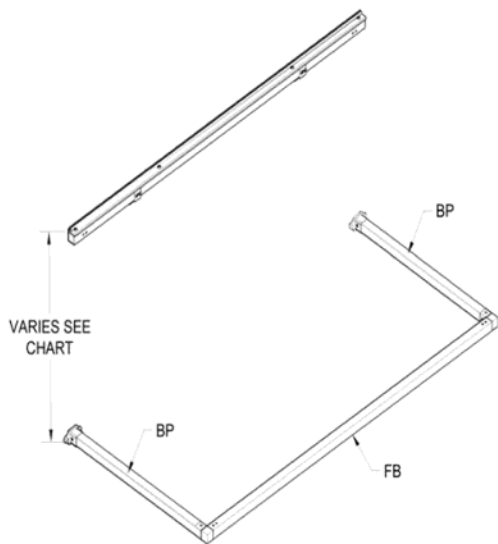


Frame 6'-20'

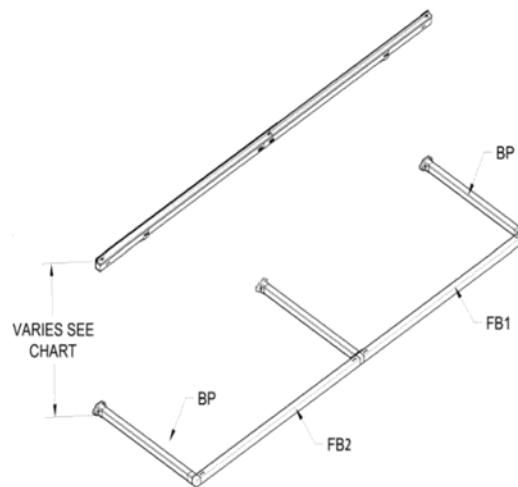


STEP 4: Install the BP & FB structure to the mounting surface. The space between the top of the (TB) and the bottom of the (BP) is indicated on sheet 5.

Frame 2'-5'



Frame 6'-20'

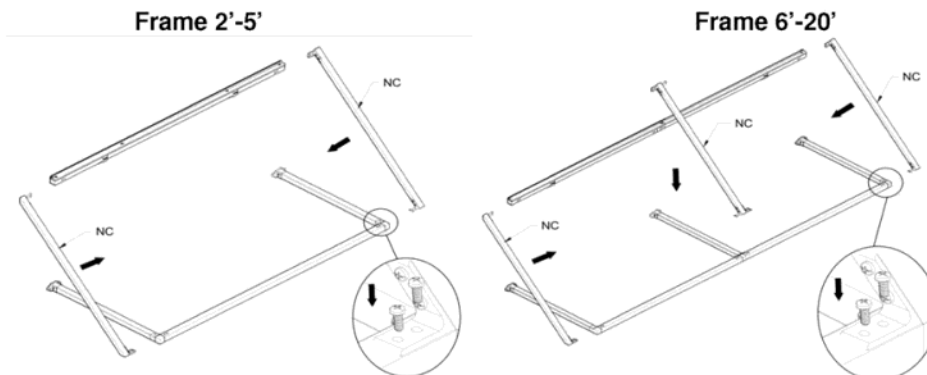


***all the sizes are in inches

Model	Space between TB and BP in inches	Height incl. Valance	Projection	Model	Space between TB and BP in inches	Height incl. Valance	Projection
RR22	24	31	24	RR22-NV	24	24	24
CR32	36	44	24	CR32-NV	36	36	24
CR33	36	44	36	CR33-NV	36	36	36
CR34	36	44	48	CR34-NV	36	36	48
CR43	48	56	36	CR43-NV	48	48	36
CR44	48	56	48	CR44-NV	48	48	48
ER2442	18	24	42	ER2442-NV	24	24	42
ER12	12	18	24	ER12-NV	12	12	24
ER1836	12	18	36	ER1836-NV	18	18	36
EE1230	8	12	30	EE1230-NV	12	12	30
ER1030	10	16	30	ER1030-NV	16	16	30
ER23	18	24	36	ER23-NV	24	24	36
ER24	18	24	48	ER24-NV	24	24	48

STEP 5: Install the NC (left and right) with arrow facing upwards. Secure them with self-tapping screws, The holes on the (FB) and (TB) are pre-drilled. Make sure that the Velcro on NCs is facing inwards.

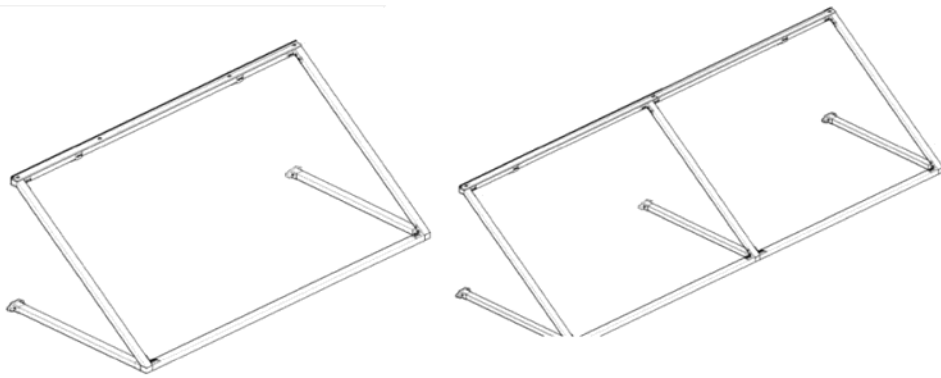
Note: If the awning is larger than 4' (52.5") wide then you must install additional (NCs) and (BPs) to complete the frame assembly and installation.



The Frame for The Dallas Retro® is complete.

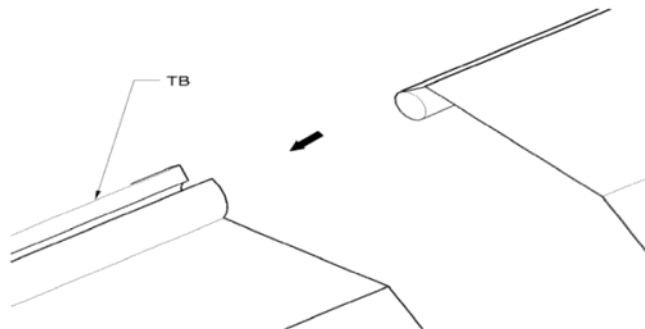
Frame 2'-5'

Frame 6'-20'



INSTALLING THE COVER

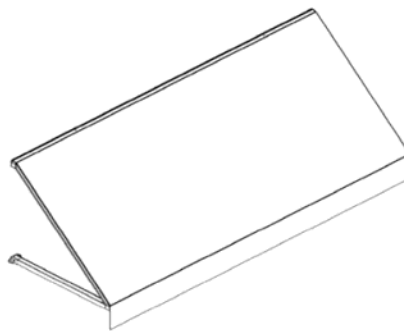
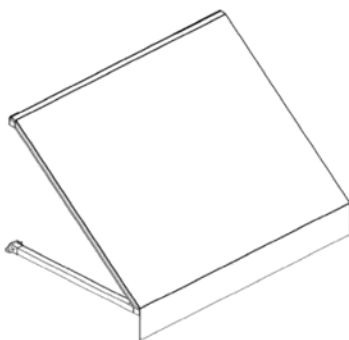
STEP 6: Slide the tubing at the top of the fabric cover into the C-Channel on the top of (TB).



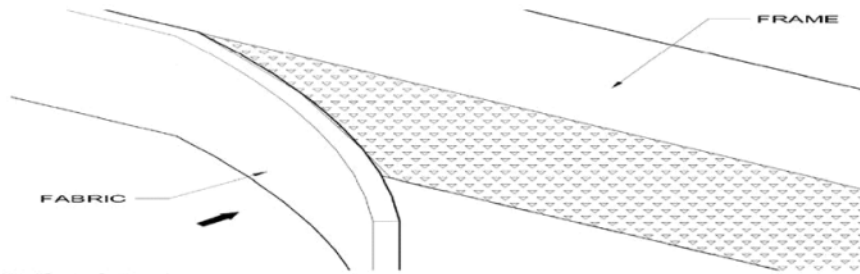
STEP 7: Pull the remainder of fabric over the frame with the valance hanging down below the (NC) and (FB) bars.

Frame 2'-4'

Frame 5'-7'



STEP 8: Once you are satisfied with the position of the cover, Pull the tabs snugly and attach them to the pre-installed Velcro tape on the bars.



CLEANING & CARE

NORMAL WEAR & TEAR:

The weather in certain regions of the country contributes to wear and tear of the awnings. If you live in these areas (High maintenance areas: FL, TX, NM, AZ, NV or high altitude areas) weather conditions (including sun) can take a toll. Normal wear and tear is not covered in our warranty and should be expected. Damages caused by improper anchoring, strong winds, snow or ice are not considered defects. We offer replacement fabric at affordable prices.

CLEANING & CARE:

Awnings should be cleaned at least once a year in low maintenance areas or twice a year in high maintenance areas (see high maintenance areas above). Cleaning consists of brushing off debris with broom, brushing on a non-detergent cleaning compound (such as a solution of 1 part vinegar to 1 part water), allowing the awnings to sit for 20 minutes, and then rinsing. Remember that your awning is an exterior product, You'll need to clean your awning to preserve and extend its beauty and life. Please refer to the cleaning and care chart below if you acquire a stain from one of the ingredients on the list.

CLEANING CHART FOR TYPICAL AWNING STAINS

STAIN	RECOMMENDED CLEANING SOLUTIONS
CHARCOAL	Vacuum, then liquid detergent
CHEWING GUM	Acetone
SODA	Liquid detergent
CAR GREASE	Acetone
IRON RUST	Oxalic or citrus acids, water
MILDEW	1 cup of bleach and ¼ mild soap per gallon of water
OIL	Acetone
PAINT (LATEX) WET	Liquid detergent, water
PAINT (LATEX) DRIED	Paint, oil or grease remover
PAINT (OIL OR LACQUER)	Paint, oil or grease remover
SUNTAN LOTION	Pine Power® or pine oil detergent
TREE SAP	Turpentine, liquid detergent