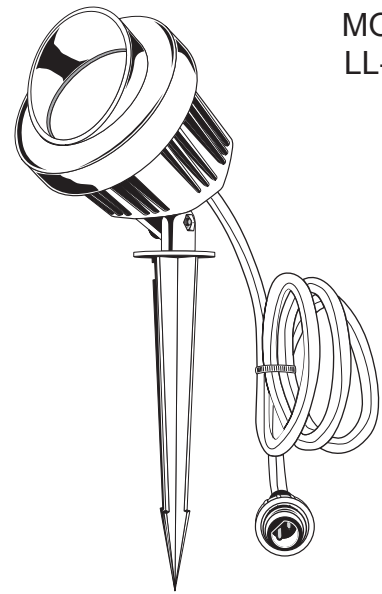
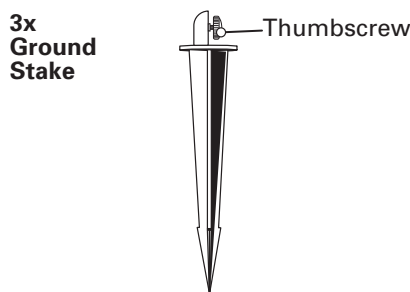
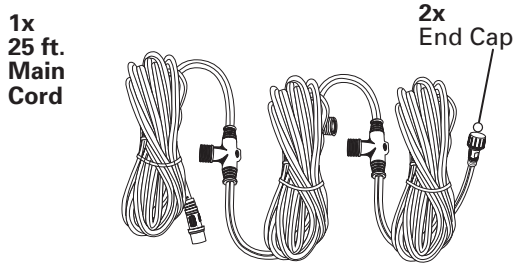
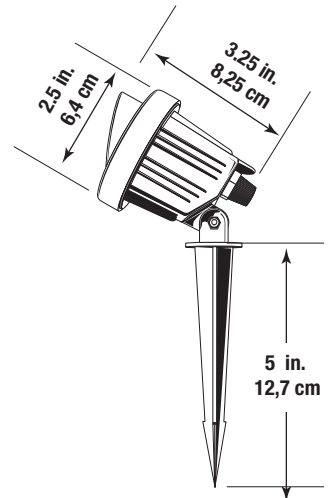
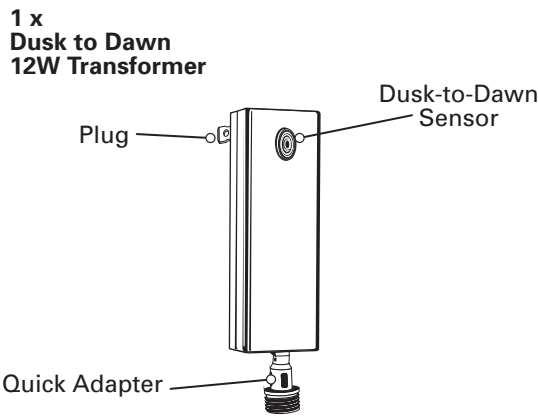
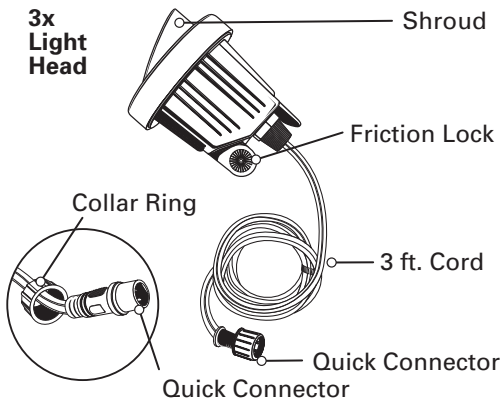


LED Low Voltage 25 ft. Linkable Spotlight Kit with 12W Dusk to Dawn Transformer



PACKAGE CONTENTS



⚠️ WARNINGS

- ⚠️ **WARNING:** Do NOT look directly at LED light sources.
- ⚠️ **WARNING:** DO NOT use with extension cords near water or wherever water may accumulate.
- ⚠️ **WARNING:** ONLY use in a GFCI protected outlet for outdoor utilizations.
- ⚠️ **WARNING:** Avoid using this product in the immediate vicinity of highly flammable materials, liquids and gases.
- ⚠️ **WARNING:** DO NOT alter or disassemble any of the parts of this fixture. It is completely enclosed and does not contain replaceable or serviceable parts.
- ⚠️ **WARNING:** This product has a polarized plug (one contact blade is wider than the other) as a feature to reduce the risk of electric shock. The plug is fashioned to only fit in a grounded outlet one way. If it does not fit, contact a qualified electrician. Never use with an extension cord unless plug can be fully inserted. **DO NOT ALTER THE PLUG OR CORD.**

LED Facts:

Lumens: 300 (100 each head)
Color Temperature: 5000K
CRI: 80
Efficacy (Lumens Per Watt): 90
Rated Watts: 4.5W (Total Kit)
LED Life: 50,000 hours
Operating temperature: -13° to 122°F (-25° to 50° C)
Beam Angle: 80°
Power Factor: 0.7

Product Features:

Link Up to 12 Watts Total, (8) 100 Lumen Spotlights
Operating Voltage: 120v
Quick connect with movable heads
Cord Type: 18/2 SPT-2W
Total cord length: 25 ft.

This fixture is IP65 rated and therefore is suitable for indoor and outdoor use in wet locations.

SAFETY AND PRECAUTIONS

1. Suitable for indoor and outdoor wet locations.
2. Do **NOT** look directly at LED light sources.
3. The LED modules used in this fixture are not serviceable.
4. **This product is inspected prior to shipping.** Do not use if product is cracked, broken or missing parts.
5. Suitable for use in operating environments ranging between -13° to 122°F (-25° to 50° C). Lifetime of this product may be reduced with prolonged exposure to extreme temperatures.
6. Do not anchor cord with staples, nails, or similar objects to avoid puncture and damage to the cord.
7. Do not cover this product as the covering may cause the lights to overheat or ignite.
8. Do not use if there is any damage to the light or cord insulation. Inspect periodically.
9. Do not install the lighting near flammable liquids.
10. Do not install on doors or gates where repeated flexing can occur.
11. For outdoor installation, a Ground Fault Interrupting Circuit (GFCI) outlet must be used.
12. Do not hang objects from cords.
13. Do not use dimmers or in-line cord switches.
14. Ensure all connections and the cap on the last segment of cord is tightly secured to prevent water entry.
15. Unplug cord from outlet prior to adding additional strands.

ADDITIONAL WARNINGS

This device complies with Part 15 of the FCC rules. Operation is subject to the following two conditions: (1) This device may not cause harmful interference, and (2) this device must accept any interference received, including interference that may cause undesired operation. Warning: Changes or modifications to this unit not expressly approved by the party responsible for compliance could void the user's authority to operate the equipment.

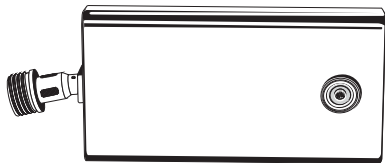
The user is cautioned that any changes or modifications not expressly approved by the party responsible for compliance could void the user's authority to operate the equipment. Note: This equipment has been tested and found to comply with the limits for a Class B digital device, pursuant to Part 15 of the FCC rules. These limits are designed to provide reasonable protection against harmful interference in a residential installation. This equipment generates, uses and can radiate radio frequency energy and, if not installed and used in accordance with the instructions, may cause harmful interference to radio communications. However, there is no guarantee that the interference will not occur in a particular installation. If this equipment does cause harmful interference to radio or television reception, which can be determined by turning the equipment off and on, the user is encouraged to try to correct the interference by one or more of the following measures:

- 1) Reorient or relocate the receiving antenna.
- 2) Increase the separation between the equipment and receiver.
- 3) Connect the equipment into an outlet on a circuit different from that of the receiver.
- 4) Consult the dealer or an experienced radio/TV technician for help.

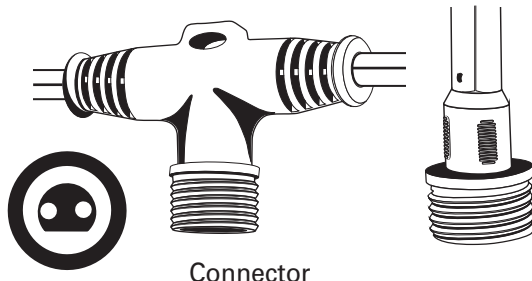
INSTALLATION

1. The dusk to dawn timer should be plugged into a GFCI protected outlet, but do not plug in the dusk-to-dawn transformer until the installation is complete (Fig. 1).

(Fig. 1)



2. Each connection is made up of a connector (Fig. 3) and quick connector (Fig. 4). The quick connectors and connectors are only designed to connect one way.



(Fig. 3)

Connector

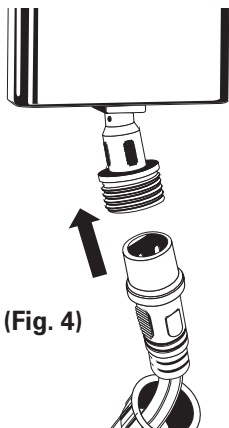


(Fig. 4)

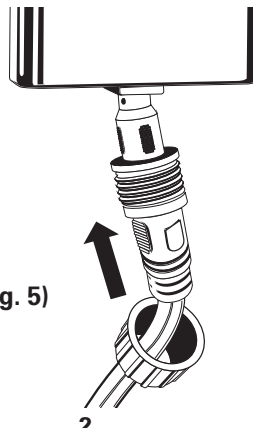
Quick Connector

Check all connections, make sure they are all on tight to prevent water from entering the connections

3. Attach the 25 ft. main cord to the dusk to dawn timer (Fig. 4). Fully insert the connector into the quick connector (Fig. 5). Tighten the collar ring firmly to keep water out (Fig. 6). Unroll the cord and connect the light heads and place in desired location.

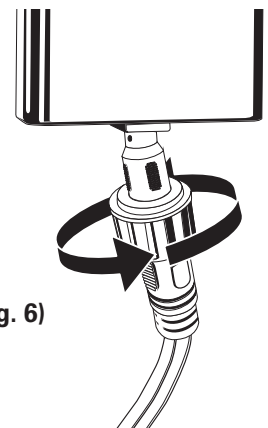


(Fig. 4)



(Fig. 5)

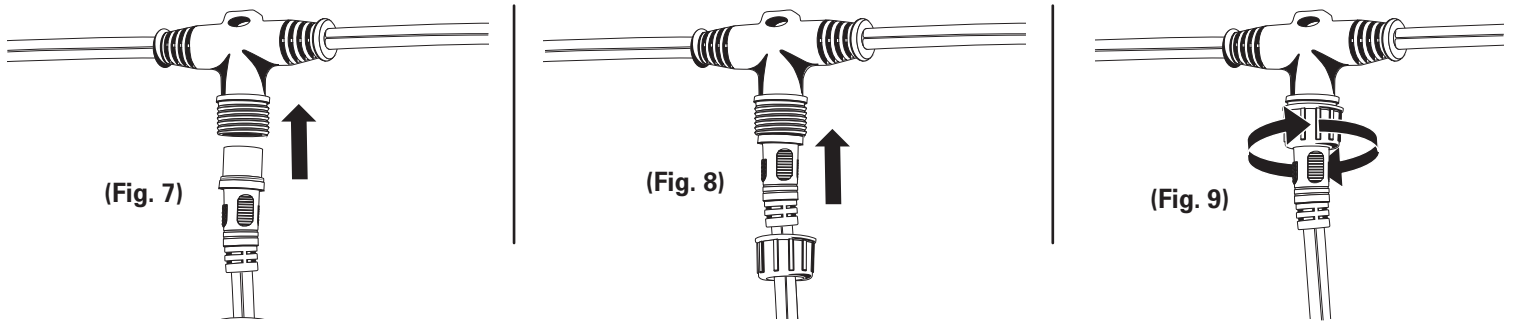
2



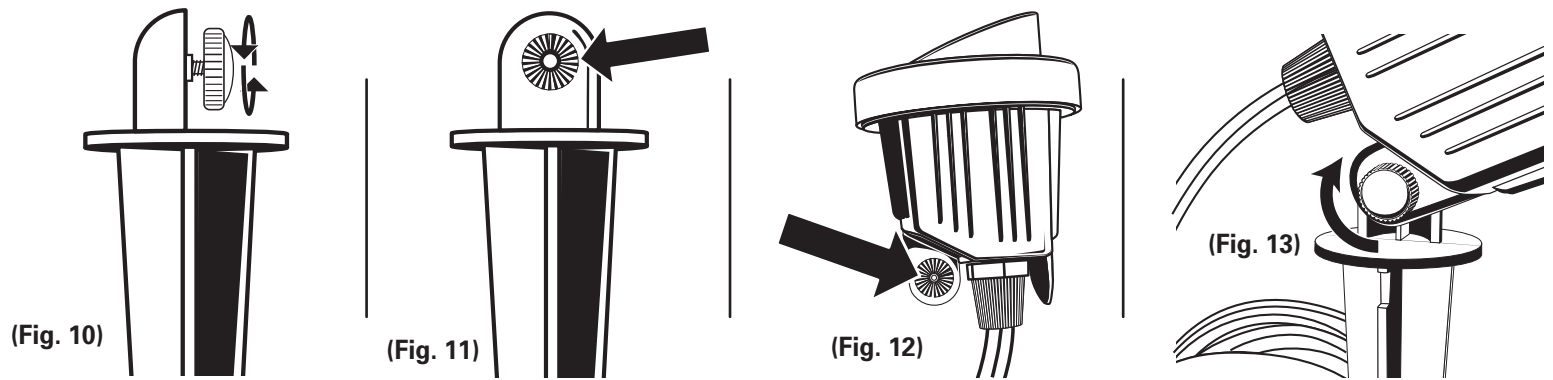
(Fig. 6)

INSTALLATION (Continued)

4. Attach the light heads to the main cord. There are 3 connectors spaced along the length of the main cord. Plug in the quick connectors from the light heads into the connectors in the main cord (Fig. 7). Fully insert the quick connectors into the power adapters (Fig. 8). Tighten the collar ring firmly to keep water out (Fig. 9).

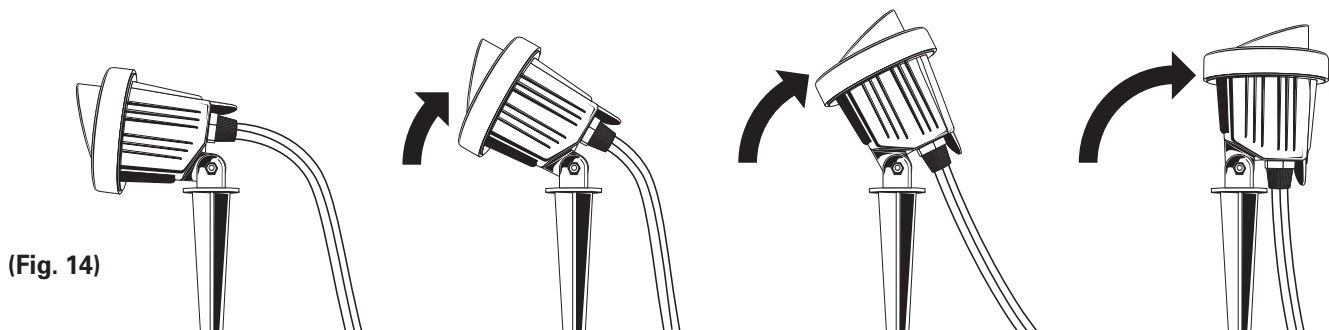


5. Remove the thumbscrews from the stakes (Fig. 10). Line up the flat side of the ground stake with the friction lock (Fig. 11) against the friction lock on the back of the light head (Fig. 12). Fasten both pieces together with the thumb screw (Fig. 13).



Push stakes into ground and aim light.

6. The light heads can be positioned from horizontal to straight up (Fig. 14). Loosen the thumbscrew to reposition the light head to the proper angle.



7. An end cap must be securely attached at the end of the main cord (Fig. 15) (The dusk to dawn transformer is ready to be plugged in).

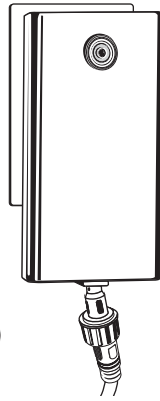


INSTALLING ADDITIONAL UNITS

1. Up to (8) 100 Lumen Spotlights (12 Watts total) can be hooked up to transformer (**The Transformer cannot exceed 12W**). An end cap must be securely attached at the end of the cord before plugging in.

INSTALLATION (Continued)

1. The lights will automatically turn on at dusk and off at dawn (Fig. 16).



(Fig. 16)

CLEANING INSTRUCTIONS

Using a soft cloth, clean the fixture using a mild, non-abrasive glass cleaner. DO NOT use solvents. DO NOT use cleaners containing abrasive agents. NEVER spray liquid cleaner directly onto the light or LED.

TROUBLESHOOTING GUIDE

Problem	Probable Cause	Solution
Light comes on during the daylight hours.	1. Fixture is located in a shaded area; dusk-to-dawn sensor is detecting darkness.	1. Shine a light at the dusk-to-dawn sensor. If the landscape light immediately shuts off, then the fixture is located in an area that is too dark to allow enough light to enter the sensor. The light will need to be relocated.
Light cycles ON and OFF continuously (strobe light effect).	1. Dusk-to-dawn sensor is detecting reflected light from the landscape light.	1. Change the position of the light head. Reposition light away from the reflecting surface. 2. Place a small piece of black electrical tape over the bottom half of the dusk-to-dawn sensor. 3. Move the light to a different location where the results are better.
Circuit breaker trips or fuse blows when light is turned on.	1. Discontinue use immediately.	1. Call customer service at 303.652.6164 . 2. Call an electrician.
Individual light goes out.	1. Loose connection. 2. Damaged light or cord.	1. Check connection. 2. Discontinue use immediately. Call customer service at 303.652.6164 .

3 YEAR LIMITED WARRANTY

This product is guaranteed against failure due to factory defects in materials or workmanship for three (3) years from the date of purchase. This warranty is non-transferable and applies only to the original owner. Proof of purchase is required for repair or replacement. This warranty does not cover normal wear of parts or damage resulting from any misuse of the product. Misuse of the product includes, but is not limited to: washing the product, using in extreme weather conditions, opening the product, or trying to remodel the product. Important: this warranty is only valid if the product has been purchased through an authorized reseller.



CUSTOMER SERVICE

For questions regarding this product, please contact us at **303.652.6164**, M-F 7am - 4pm MT or e-mail us at info@stonepointledlighting.com.