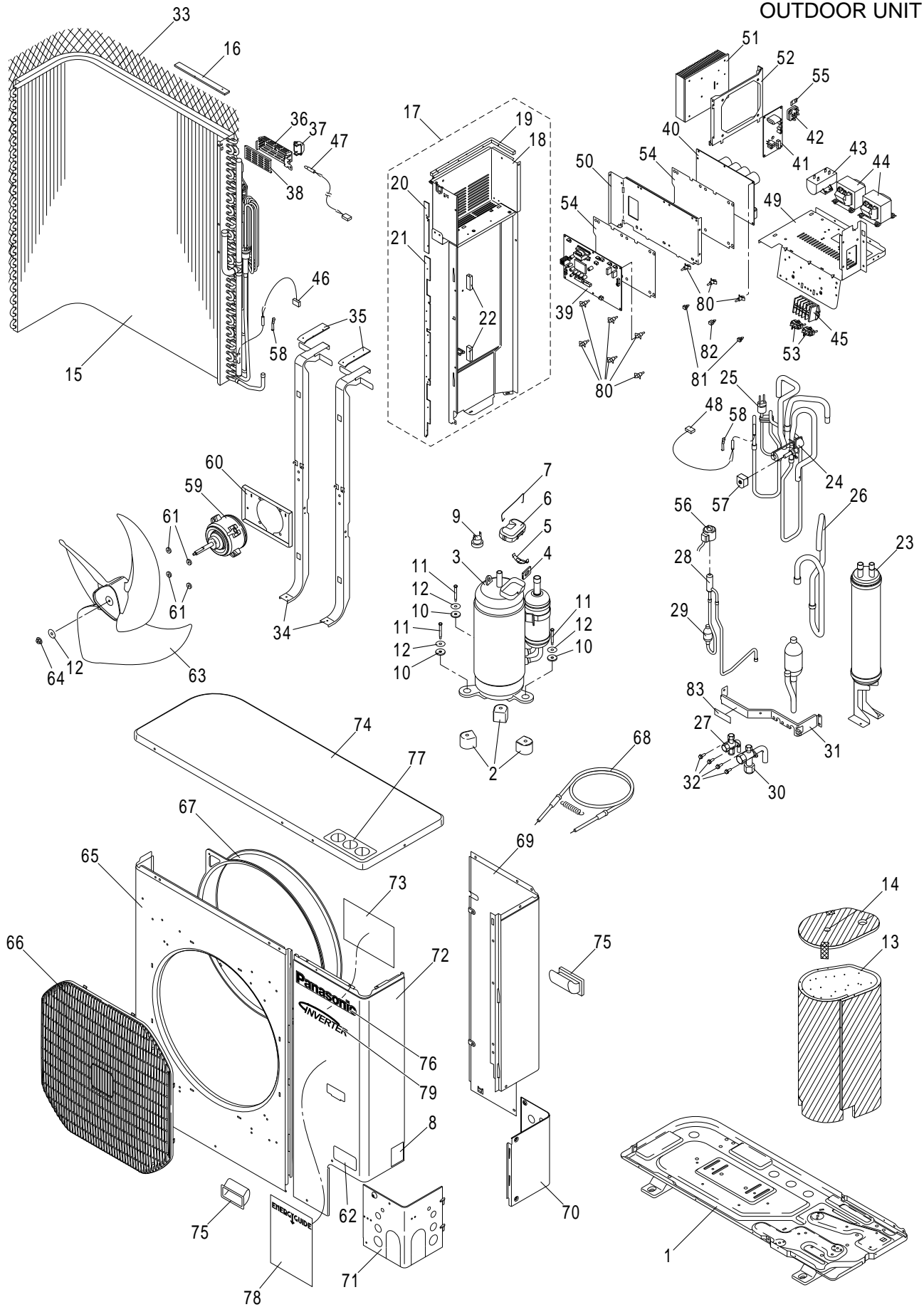


CU-KE36NKU
OUTDOOR UNIT



ATTENTION!

To ensure correct parts supply, please let us know the following,

Part No. when you make service parts order:

1.Part No. 2.Description 3.Q'ty 4.Volts-Hz-Ph 5.Product Mode No.

CU-KE36NKU
OUTDOOR UNIT

KeyNo.	Part No.	Description	Model Number	Q'ty	Reference No.	
1	CV6233134833	Bottom Plate Ass'y		1	8520220290803	
2	CV6230772564	Cushion Rubber		3	8542231813200	
3	CV6233104768	Compressor	C-9RVN273H0H	1	222BB80868380	
4	CV6231695190	Eyelet Rubber Lead Wire		1	8012530412600	
5	CV6260400222	Plate Protector	SUS301-CSP	1	8012530212500	
6	CV6260400826	Cap Terminal Cover		1	8012619510700	
7	CV6260400512	Clip		1	8012534010500	
8	CV6233136158	Label		1	8526442366100	
*	9	CV6231915793	Thermostat	CS-7L110	1	4233960062
10	CV6231834650	Spacer		3	8542234922000	
11	CV6233036656	Bolt Special		3	8542234820700	
12	CV6230954960	Washer Special		4	8542135513300	
13	CV6233134864	Insulation		1	8522247686600	
14	CV6233050423	Snd Ins Compr		1	8542242237700	
15	CV6233134857	Heat Exch Cond Ass'y		1	8520411944100	
16	CV6233193496	Packing		1	8542237007510	
17	CV6233134932	Partition Plate Ass'y		1	85202209512H1	
18	CV6233134925	Partition Plate Ass'y		1	8520220951223	
19	CV6233134918	Packing		1	8522252870510	
20	CV6233134901	Packing		1	8522252870610	
21	CV6233134895	Packing		1	8522252870710	
22	CV6233134888	Packing		2	8542233695020	
23	CV6233134871	Accumulator Ass'y		1	8540451754701	
*	24	CV6231932165	Solenoid Valve Ass'y	STF-03U1G	1	8520450922900
*	25	CV6233134956	Sw K	ACB-4UB3002W	1	8FA0525706400
26	CV6233134949	Tube Ass'y		1	8520420771400	
27	CV6231811958	Valve Ass'y 3/8 in.		1	8540450432300	
28	CV6231859929	Elec Exp Valve Ass'y	UKV-25D46	1	8520452417400	
29	CV6231018968	Strainer Ass'y		1	8540452213100	
30	CV6233050065	Valve Ass'y 5/8 in.		1	8540450629900	
31	CV6233129358	Support valve		1	8542412933601	
32	CV6232005509	Screw Special		4	8262127017101	
33	CV6233129686	Guard		1	8542111330600	
34	CV6233129723	Support Fan Motor		2	8542251643401	
35	CV6233135014	Packing		2	8542237018310	
36	CV6233139524	Mounting Thermostat		1	8522530333801	
37	CV6233134994	Mounting Thermostat		1	8522530333511	
38	CV6233139517	Mounting Plate		1	8522238531701	
*	39	CV6233135304	Controller Ass'y	CR-CH3682-F	1	8FA0528224900
*	40	CV6233193502	P.C.B. Ass'y	POW-CH3082-B2	1	8FA0517265600

NOTE: Metal and plastic parts will be supplied basically with necessary heat insulation pads or packing. Each key number with an asterisk (*) means the recommended service parts.

ATTENTION!

To ensure correct parts supply, please let us know the following,

Part No. when you make service parts order:

1.Part No. 2.Description 3.Q'ty 4.Volts-Hz-Ph 5.Product Mode No.

CU-KE36NKU
OUTDOOR UNIT

KeyNo.	Part No.	Description	Model Number	Q'ty	Reference No.	
41	CV6233136172	P.C.B. Ass'y	HIC-CH3072R-C1-SRV	1	8549953605767	
42	CV6233136165	Diode	DBA500G-SRV	1	8549953605768	
*	43	CV6231812320	Fixed Capacitor	230V/40uF	1	1FA4C1A009200
*	44	CV6231545303	Reactor	R902A2-T	2	1FA4L5C002800
*	45	CV6233135052	Terminal Base	HP-T3041-C2F3-L1	1	1FA4J3A042800
*	46	CV6233135038	Thermistor Ass'y	TKS334B	1	8FA0525948900
*	47	CV6233135045	Thermistor Ass'y	PT2M-51H-S6-1	1	8FA0525949000
*	48	CV6233135021	Thermistor Ass'y	TKS335B	1	8FA0525949100
49	CV6233135113	Elec. Component Box Ass'y		1	8520530164401	
50	CV6233135106	Elec.Component Box		1	8522530775701	
51	CV6233135090	Cooler	A6063S-T5	1	8522412726801	
52	CV6233135083	Mounting Plate		1	8522238530311	
53	CV6231407595	Clip Wire		2	8522530416700	
54	CV6233135076	Sheet		2	8522532852300	
55	CV6231916004	Mounting Plate		1	8542236206801	
*	56	CV6233050096	Magnetic Coil	UKV-A074	1	1FA4L8A044300
*	57	CV6233135281	Magnetic Coil	STF-01AQ503UA1	1	8FA0525132700
58	CV6231696487	Mounting Thermostat		2	8522530324801	
*	59	CV6233139531	Fan Motor	SIC-71FW-D8120-4	1	1FA4M4A018800
60	CV6233129433	Support Fan Motor		1	8542251643601	
61	CV6233050263	Washer Special		4	8542135521900	
62	CV6231611497	Label		1	8542135895900	
63	CV6233135120	Propeller Fan Ass'y		1	8542253915702	
64	CV6380126705	Funa 6	SUS305-WSA	1	3927506010	
65	CV6233135229	Front Panel		1	8542111628013	
66	CV6233135212	Guard		1	8542111330510	
67	CV6233135205	Nozzle		1	8542452316210	
*	68	CV6233135199	Heater K	3269883	1	8FA0525507100
69	CV6233135182	Rear Panel		1	85421103396H2	
70	CV6233135175	Cover Plate		1	8542113343223	
71	CV6233135168	Cover Plate		1	8542234287423	
72	CV6233135151	Front Panel		1	85421116282H2	
73	CV6233193533	Elec. Wiring Diagram		1	8FA2525115200	
74	CV6233135236	Top Panel		1	85421112472H2	
75	CV6231741125	Knob		2	8542131113124	
76	CV6233162478	Badge		1	8542135433001	
77	CV6233188911	Caution Label		1	8546575944300	
78	CV6233190655	Ftc Tag		1	8526445925900	
79	CV6233189857	Badge		1	8542135433500	
80	CV6230971677	Spacer		9	8512536603800	

NOTE: Metal and plastic parts will be supplied basically with necessary heat insulation pads or packing. Each key number with an asterisk (*) means the recommended service parts.

ATTENTION!

To ensure correct parts supply, please let us know the following,

Part No. when you make service parts order:

1.Part No. 2.Description 3.Q'ty 4.Volts-Hz-Ph 5.Product Mode No.

CU-KE36NKU
OUTDOOR UNIT

KeyNo.	Part No.	Description	Model Number	Q'ty	Reference No.
81	CV6230964068	Spacer		2	8512536603300
82	CV6231927949	Spacer		1	8512536607600
83	CV6233193526	Caution Label		1	8546575950500
	CV6233187099	Construction Notes		1	8526419058700

NOTE: Metal and plastic parts will be supplied basically with necessary heat insulation pads or packing.
Each key number with an asterisk (*) means the recommended service parts.