



NCT IS 025-A22

English

NCT IS 025-A22

Original operating instructions

Contents

| | | |
|-----------|--|-----------|
| 1 | Information about the documentation | 1 |
| 1.1 | About this documentation | 1 |
| 1.2 | Explanation of symbols used | 2 |
| 1.2.1 | Warnings | 2 |
| 1.2.2 | Symbols in the documentation | 2 |
| 1.2.3 | Symbols in the illustrations | 2 |
| 1.3 | Symbols on the power tool | 2 |
| 1.3.1 | Symbols | 2 |
| 1.4 | Product information | 3 |
| 1.5 | Declaration of conformity | 3 |
| 2 | Safety | 3 |
| 2.1 | General power tool safety warnings | 3 |
| 2.2 | Additional safety instructions applicable to cutting tools | 5 |
| 2.3 | Battery use and care | 5 |
| 3 | Description | 5 |
| 3.1 | Product overview | 5 |
| 3.2 | Intended use | 6 |
| 3.3 | Possible misuse | 6 |
| 3.4 | Lithium-ion battery status display | 6 |
| 3.5 | Items supplied | 6 |
| 4 | Cutting tool | 6 |
| 4.1 | Battery | 7 |
| 5 | Operation | 7 |
| 5.1 | Preparations at the workplace | 7 |
| 5.2 | Charging the battery | 7 |
| 5.3 | Inserting the battery | 7 |
| 5.4 | Removing the battery | 7 |
| 5.5 | Changing the cutting edges | 8 |
| 5.6 | Assemble Hilti retaining leash (optional) | 8 |
| 5.7 | Dismantle the Hilti retaining leash (optional) | 9 |
| 5.8 | Cutting | 9 |
| 6 | Care and maintenance | 10 |
| 7 | Transport and storage of cordless tools | 10 |
| 8 | Troubleshooting | 10 |
| 8.1 | The cutting tool is not in working order. | 11 |
| 8.2 | The cutting tool is in working order. | 11 |
| 9 | Disposal | 11 |
| 10 | Manufacturer's warranty | 11 |

1 Information about the documentation

1.1 About this documentation

- Read this documentation before initial operation or use. This is a prerequisite for safe, trouble-free handling and use of the product.
- Observe the safety instructions and warnings in this documentation and on the product.
- Always keep the operating instructions with the product and make sure that the operating instructions are with the product when it is given to other persons.

1.2 Explanation of symbols used

1.2.1 Warnings

Warnings alert persons to hazards that occur when handling or using the product. The following signal words are used:



DANGER !

- Draws attention to imminent danger that will lead to serious personal injury or fatality.



WARNING !

- Draws attention to a potential threat of danger that can lead to serious injury or fatality.



CAUTION !

- Draws attention to a potentially dangerous situation that could lead to slight personal injury or damage to the equipment or other property.

1.2.2 Symbols in the documentation

The following symbols are used in this document:

| | |
|--|---|
| | Read the operating instructions before use. |
| | Instructions for use and other useful information |
| | Dealing with recyclable materials |
| | Do not dispose of electric equipment and batteries as household waste |

1.2.3 Symbols in the illustrations

The following symbols are used in illustrations:

| | |
|--|---|
| | These numbers refer to the corresponding illustrations found at the beginning of these operating instructions |
| | The numbering reflects the sequence of operations shown in the illustrations and may deviate from the steps described in the text |
| | Item reference numbers are used in the overview illustrations and refer to the numbers used in the product overview section |
| | This symbol is intended to draw special attention to certain points when handling the product. |


1.3 Symbols on the power tool

1.3.1 Symbols

The following symbols are used:

| | |
|--|--|
| | Risk of cutting injury! |
| | Wear protective glasses! |
| | Wireless data transfer |
| | Hilti Li-ion battery type series used. Observe the information given in the section headed In-tended use . |

1.4 Product information

 products are designed for professional users and only trained, authorized personnel are permitted to operate, service and maintain the products. This personnel must be specifically informed about the possible hazards. The product and its ancillary equipment can present hazards if used incorrectly by untrained personnel or if used not in accordance with the intended use.

The type designation and serial number are printed on the rating plate.

- ▶ Write down the serial number in the table below. You will be required to state the product details when contacting Hilti Service or your local Hilti organization to inquire about the product.

Product information

| | |
|--------------|----------------|
| Cutting tool | NCT IS 025-A22 |
| Generation | 01 |
| Serial no. | |

1.5 Declaration of conformity

We declare, on our sole responsibility, that the product described here complies with the applicable directives and standards. A copy of the declaration issued by the certification department can be found at the end of this documentation.

The technical documentation is filed here:

Hilti Entwicklungsgesellschaft mbH | Tool Certification | Hiltistrasse 6 | 86916 Kaufering, Germany

2 Safety

2.1 General power tool safety warnings

⚠ WARNING Read all safety warnings, instructions, illustrations and specifications provided with this power tool. Failure to follow all instructions listed below may result in electric shock, fire and/or serious injury. **Save all warnings and instructions for future reference.**

The term "power tool" in the warnings refers to your mains-operated (corded) power tool or battery-operated (cordless) power tool.

Work area safety

- ▶ **Keep work area clean and well lit.** Cluttered or dark areas invite accidents.
- ▶ **Do not operate power tools in explosive atmospheres, such as in the presence of flammable liquids, gases or dust.** Power tools create sparks which may ignite the dust or fumes.
- ▶ **Keep children and bystanders away while operating a power tool.** Distractions can cause you to lose control.

Electrical safety

- ▶ **Power tool plugs must match the outlet. Never modify the plug in any way. Do not use any adapter plugs with earthed (grounded) power tools.** Unmodified plugs and matching outlets will reduce risk of electric shock.
- ▶ **Avoid body contact with earthed or grounded surfaces, such as pipes, radiators, ranges and refrigerators.** There is an increased risk of electric shock if your body is earthed or grounded.
- ▶ **Do not expose power tools to rain or wet conditions.** Water entering a power tool will increase the risk of electric shock.
- ▶ **Do not abuse the cord. Never use the cord for carrying, pulling or unplugging the power tool. Keep cord away from heat, oil, sharp edges or moving parts.** Damaged or entangled cords increase the risk of electric shock.
- ▶ **When operating a power tool outdoors, use an extension cord suitable for outdoor use.** Use of a cord suitable for outdoor use reduces the risk of electric shock.
- ▶ **If operating a power tool in a damp location is unavoidable, use a residual current device (RCD) protected supply.** Use of an RCD reduces the risk of electric shock.

Personal safety

- ▶ **Stay alert, watch what you are doing and use common sense when operating a power tool. Do not use a power tool while you are tired or under the influence of drugs, alcohol or medication.** A moment of inattention while operating power tools may result in serious personal injury.
- ▶ **Use personal protective equipment. Always wear eye protection.** Protective equipment such as a dust mask, non-skid safety shoes, hard hat or hearing protection used for appropriate conditions will reduce personal injuries.

- ▶ **Prevent unintentional starting.** Ensure the switch is in the off-position before connecting to power source and/or battery pack, picking up or carrying the tool. Carrying power tools with your finger on the switch or energising power tools that have the switch on invites accidents.
- ▶ **Remove any adjusting key or wrench before turning the power tool on.** A wrench or a key left attached to a rotating part of the power tool may result in personal injury.
- ▶ **Do not overreach. Keep proper footing and balance at all times.** This enables better control of the power tool in unexpected situations.
- ▶ **Dress properly. Do not wear loose clothing or jewellery. Keep your hair and clothing away from moving parts.** Loose clothes, jewellery or long hair can be caught in moving parts.
- ▶ **If devices are provided for the connection of dust extraction and collection facilities, ensure these are connected and properly used.** Use of dust collection can reduce dust-related hazards.
- ▶ **Do not let familiarity gained from frequent use of tools allow you to become complacent and ignore tool safety principles.** A careless action can cause severe injury within a fraction of a second.

Power tool use and care

- ▶ **Do not force the power tool. Use the correct power tool for your application.** The correct power tool will do the job better and safer at the rate for which it was designed.
- ▶ **Do not use the power tool if the switch does not turn it on and off.** Any power tool that cannot be controlled with the switch is dangerous and must be repaired.
- ▶ **Disconnect the plug from the power source and/or remove the battery pack, if detachable, from the power tool before making any adjustments, changing accessories, or storing power tools.** Such preventive safety measures reduce the risk of starting the power tool accidentally.
- ▶ **Store idle power tools out of the reach of children and do not allow persons unfamiliar with the power tool or these instructions to operate the power tool.** Power tools are dangerous in the hands of untrained users.
- ▶ **Maintain power tools and accessories. Check for misalignment or binding of moving parts, breakage of parts and any other condition that may affect the power tool's operation. If damaged, have the power tool repaired before use.** Many accidents are caused by poorly maintained power tools.
- ▶ **Keep cutting tools sharp and clean.** Properly maintained cutting tools with sharp cutting edges are less likely to bind and are easier to control.
- ▶ **Use the power tool, accessories and tool bits etc. in accordance with these instructions, taking into account the working conditions and the work to be performed.** Use of the power tool for operations different from those intended could result in a hazardous situation.
- ▶ **Keep handles and grasping surfaces dry, clean and free from oil and grease.** Slippery handles and grasping surfaces do not allow for safe handling and control of the tool in unexpected situations.

Battery tool use and care

- ▶ **Recharge only with the charger specified by the manufacturer.** A charger that is suitable for one type of battery pack may create a risk of fire when used with another battery pack.
- ▶ **Use power tools only with specifically designated battery packs.** Use of any other battery packs may create a risk of injury and fire.
- ▶ **When battery pack is not in use, keep it away from other metal objects, like paper clips, coins, keys, nails, screws or other small metal objects, that can make a connection from one terminal to another.** Shorting the battery terminals together may cause burns or a fire.
- ▶ **Under abusive conditions, liquid may be ejected from the battery; avoid contact. If contact accidentally occurs, flush with water. If liquid contacts eyes, additionally seek medical help.** Liquid ejected from the battery may cause irritation or burns.
- ▶ **Do not use a battery pack or tool that is damaged or modified.** Damaged or modified batteries may exhibit unpredictable behaviour resulting in fire, explosion or risk of injury.
- ▶ **Do not expose a battery pack or tool to fire or excessive temperature.** Exposure to fire or temperature above 265 °F may cause explosion.
- ▶ **Follow all charging instructions and do not charge the battery pack or tool outside the temperature range specified in the instructions.** Charging improperly or at temperatures outside the specified range may damage the battery and increase the risk of fire.

Service

- ▶ **Have your power tool serviced by a qualified repair person using only identical replacement parts.** This will ensure that the safety of the power tool is maintained.
- ▶ **Never service damaged battery packs.** Service of battery packs should only be performed by the manufacturer or authorized service providers.

2.2 Additional safety instructions applicable to cutting tools

Personal safety

- ▶ Use the product only if it is in perfect working order.
- ▶ Never tamper with or modify the tool in any way.

Electrical safety

- ▶ Before use of the power tool, all live cables or other items carrying electric voltage within the area in which the user is working are to be switched off. If this is not possible, the corresponding safety precautions for working in the proximity of live cables or equipment must be implemented and observed.
- ▶ Do not cut through live cables, i.e. cables carrying electricity. The tool must be considered to be uninsulated and must therefore be used in conjunction with personal protective equipment (protective gloves, protective footwear, protective clothing, etc.) of a type suitable to provide protection for yourself and other persons in the vicinity. The tool may be operated on insulated platforms.

Power tool use and care

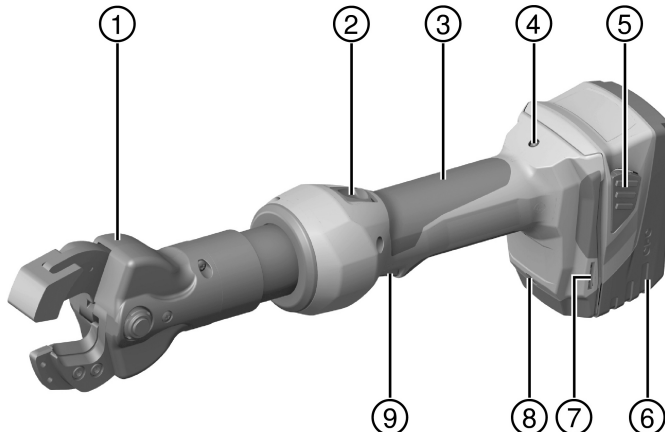
- ▶ After approx. 100 consecutive cutting operations, switch the power tool off and allow it to cool down for about 15 minutes. Overheating can lead to damage to the power tool.

2.3 Battery use and care

- ▶ Observe the special regulations and instructions applicable to the transport, storage and use of Li-ion batteries.
- ▶ Do not expose batteries to high temperatures, direct sunlight or fire.
- ▶ Do not disassemble, crush or incinerate batteries and do not subject them to temperatures over 80 °C.
- ▶ Do not use or charge batteries that have suffered mechanical impact, have been dropped from a height or show signs of damage. In this case, always contact your **Hilti Service**.
- ▶ If the battery is too hot to touch it may be defective. In this case, place the product in a non-flammable location, well away from flammable materials, where it can be kept under observation and allowed to cool down. In this case, always contact your **Hilti Service**.

3 Description

3.1 Product overview



- | | | | |
|---|---|---|---|
| ① | Cutting head | ⑥ | Battery |
| ② | Manual piston return switch | ⑦ | Slot on both sides to fasten the Hilti retaining leash |
| ③ | Casing | ⑧ | White LED to illuminate the working area |
| ④ | Servicing and fault indicator (red LED) | ⑨ | Control switch |
| ⑤ | Battery release button | | |

3.2 Intended use

The product described is a cordless (battery-powered) electro-hydraulic cutting tool. It is designed for cutting through cables made of copper (Cu), aluminum (Al) and steel (e.g. ACSR). Before use of the power tool, all live cables or other items carrying electric voltage within the area in which the user is working must be switched off. If this is not possible, the corresponding safety precautions for working in the proximity of live cables or equipment must be implemented and observed.

- ▶ Use only **Hilti** lithium-ion batteries of the B 22 series with this product.
- ▶ Use only **Hilti** battery chargers of the C4/36 series for charging these batteries.

3.3 Possible misuse

- Do not use this hand-held product clamped in a fixed position or as a stationary device.
- Do not use the product in heavy rain or under water.

3.4 Lithium-ion battery status display

The charge state of the Li-ion battery and malfunctions of the product are indicated by the indicator of the Li-ion battery. The charge status of the Li-ion battery is indicated after one of the two battery release buttons is short-pressed.

| Status | Meaning |
|------------------|----------------------------------|
| 4 LEDs light up. | • State of charge: 75 % to 100 % |
| 3 LEDs light. | • State of charge: 50 % to 75 % |
| 2 LEDs light. | • State of charge: 25 % to 50 % |
| 1 LED lights. | • State of charge: 10 % to 25 % |
| 1 LED flashes. | • State of charge: < 10 % |



Battery state of charge cannot be displayed while the control switch is pressed and for up to 5 seconds after releasing the control switch. If the LEDs of the charge state indicator flash, follow the instructions in the 'Troubleshooting' section.

3.5 Items supplied

Cutting tool, operating instructions.

Other system products approved for use with this product can be found at your local **Hilti Store** or online at: www.hilti.group.

4 Cutting tool

| | NCT IS 025-A22 |
|--|---|
| Rated voltage | 21.6 V |
| Weight | 3.4 kg (7.5 lb) |
| Max. cable diameter | 25 mm (1.0 in) |
| Max. cutting capacity | <ul style="list-style-type: none"> • 557 kcmil ACSR (Eagle), 3/8" guy wire (EHS) • Cu/Al cable, 1" (25 mm) outside diameter |
| Storage temperature | -20 °C ... 70 °C (-4 °F ... 158 °F) |
| Ambient temperature for operation | -17 °C ... 60 °C (1 °F ... 140 °F) |

4.1 Battery

| | |
|---------------------------------------|--|
| Battery operating voltage | 21.6 V |
| Ambient temperature for operation | -17 °C ... 60 °C (1 °F ... 140 °F) |
| Storage temperature | -20 °C ... 40 °C (-4 °F ... 104 °F) |
| Battery charging starting temperature | -10 °C ... 45 °C (14 °F ... 113 °F) |

5 Operation

5.1 Preparations at the workplace

CAUTION

Risk of injury by inadvertent starting!

- ▶ Before inserting the battery, make sure that the product is switched off.
- ▶ Remove the battery before making any adjustments to the power tool or before changing accessories.

Observe the safety instructions and warnings in this documentation and on the product.

5.2 Charging the battery

1. Before charging the battery, read the operating instructions for the charger.
2. Make sure that the contacts on the battery and the contacts on the charger are clean and dry.
3. Use an approved charger to charge the battery.

5.3 Inserting the battery

CAUTION

Risk of injury by short circuit or falling battery!

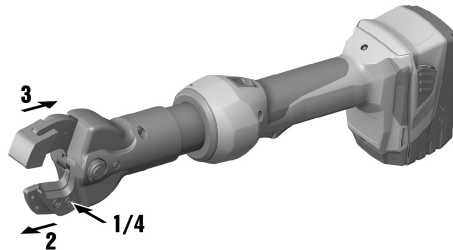
- ▶ Before inserting the battery, make sure that the contacts on the battery and the contacts on the product are free of foreign matter.
- ▶ Make sure that the battery always engages correctly.

1. Charge the battery fully before using it for the first time.
2. Push the battery into the battery holder until it engages with an audible click.
3. Check that the battery is seated securely.

5.4 Removing the battery

1. Press the release buttons on the battery.
2. Pull the battery out of its holder in the device.

5.5 Changing the cutting edges



1. Unscrew the cutting edge securing screws.
2. Ease the old cutting edges forward and out of the product.
3. Insert the new cutting edges into the product.
4. Tighten the cutting edge securing screws.

5.6 Assemble Hilti retaining leash (optional)

ATTENTION

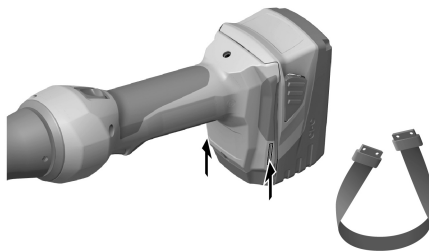
Damage to the product and / or the retaining leash. Incorrect handling can result in damage to the product and/or retaining leash.

- ▶ Do not use a metal chain as a retaining leash. Do not use retaining leashes longer than 6 ft (2 m).



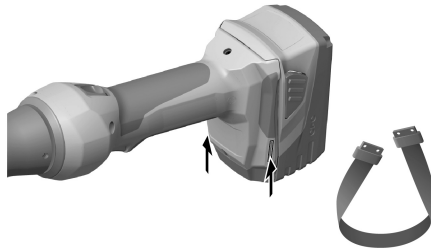
To avoid damage and injury, when working at a height it is advisable to use the **Hilti** retaining strap. The retaining strap allows a securing cord or leash to be attached.

When working with the product, you must comply with national regulations for working at heights.



1. Remove the battery.
2. Insert the two tabs on the retaining leash into the slots on each side of the base.
3. Secure the retaining leash with the screws supplied.
4. Refit the battery.

5.7 Dismantle the Hilti retaining leash (optional)



1. Remove the battery.
2. Remove the two retaining strap securing screws.
3. Pull the two retaining strap tabs out of the slots in the base and remove the retaining strap.
4. Refit the battery.

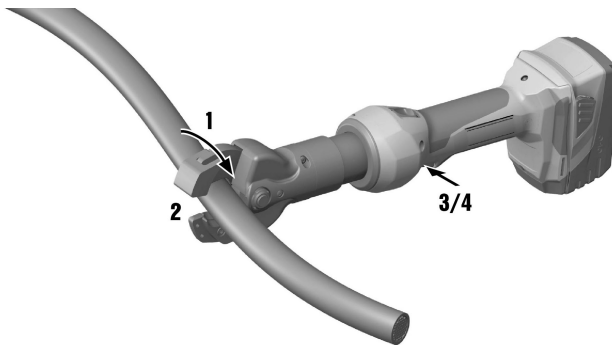
5.8 Cutting

WARNING

Risk of injury! Risk of serious injury during the cutting operation.

- ▶ During the cutting operation great care must be taken to ensure that the hands and fingers are kept well clear of the cutting head.

For cutting in tight spaces or where access is difficult, the cutting head can be rotated through 350° about its longitudinal axis.



1. Rotate the cutting head to the desired working position.
2. Place the cable to be cut in the cutting head or, respectively, guide the cutting head into position around the cable to be cut.

Always make sure that the cable to be cut is fully inserted into the cutting head.
Do not exceed the maximum cutting capacity.
Do not attempt to cut a cable that cannot be inserted fully into the cutting head.

3. Press the control switch.
4. Keep the control switch pressed until the cutting head begins to release the pressure. This is accompanied by a clearly audible "pop".
 - When the cut has been made, the product returns automatically to its initial position.

6 Care and maintenance

WARNING

Risk of injury with battery inserted !

- ▶ Always remove the battery before carrying out care and maintenance tasks!
-

Care and maintenance of the tool

- Carefully remove stubborn dirt.
- Clean the air vents carefully with a dry brush.
- Use only a slightly damp cloth to clean the casing. Do not use cleaning agents containing silicone as these can attack the plastic parts.

Care of the Li-ion batteries

- Keep the battery free from oil and grease.
- Use only a slightly damp cloth to clean the casing. Do not use cleaning agents containing silicone as these may attack the plastic parts.
- Avoid ingress of moisture.

Maintenance

- Check all visible parts and controls for signs of damage at regular intervals and make sure that they all function correctly.
 - Do not operate the product if signs of damage are found or if parts malfunction. Have it repaired immediately by **Hilti Service**.
 - After cleaning and maintenance, fit all guards or protective devices and check that they function correctly.
-



To help ensure safe and reliable operation, use only genuine Hilti spare parts and consumables. Spare parts, consumables and accessories approved by Hilti for use with the product can be found at your local **Hilti Store** or online at: www.hilti.group.

7 Transport and storage of cordless tools

Transport

CAUTION

Accidental starting during transport !

- ▶ Always transport your products with the batteries removed!
-
- ▶ Remove the battery.
 - ▶ Never transport batteries in bulk form (loose, unprotected).
 - ▶ Check the tool and batteries for damage before use after long periods of transport.

Storage

CAUTION

Accidental damage caused by defective or leaking batteries !

- ▶ Always store your products with the batteries removed!
-
- ▶ Store the tool and batteries in a place that is as cool and dry as possible.
 - ▶ Never store batteries in direct sunlight, on heating units or behind a window pane.
 - ▶ Store the tool and batteries in a place where they cannot be accessed by children or unauthorized persons.
 - ▶ Check the tool and batteries for damage before use after long periods of storage.

8 Troubleshooting

If the trouble you are experiencing is not listed in this table or you are unable to remedy the problem by yourself, please contact **Hilti Service**.

8.1 The cutting tool is not in working order.

| Malfunction | Possible cause | Action to be taken |
|---|--|---|
| The LEDs on the battery indicate nothing. | The battery is not correctly inserted. | ▶ Push the battery in until it engages with a double click. |
| | The battery is discharged. | ▶ Change the battery and charge the empty battery. |
| | The battery is too hot or too cold. | ▶ Allow the battery to cool down or to warm up to room temperature. |
| 1 LED on the battery blinks. | The battery is discharged. | ▶ Change the battery and charge the empty battery. |
| | The battery is too hot or too cold. | ▶ Allow the battery to cool down or to warm up to room temperature. |
| 4 LEDs on the battery blink. | Product momentarily overloaded. | ▶ Allow the product to cool down. |
| Red LED => lights continuously and a warning tone is emitted. | Technical problem. | ▶ Incorrect operation is possible! Contact Hilti Service . |
| Red LED => blinks at short intervals and a warning tone is emitted. | The state of charge of the battery is too low to allow a complete operating cycle. | ▶ Change the battery and charge the empty battery. |
| Red LED => lights briefly and no warning tone is emitted. | Product overheated. | ▶ Allow the product to cool down. |

8.2 The cutting tool is in working order.

| Trouble or fault | Possible cause | Action to be taken |
|---|--|---|
| The battery runs down more quickly than usual. | Very low ambient temperature. | ▶ Allow the battery to warm up slowly to room temperature. |
| The battery does not engage with an audible double click. | The retaining lugs on the battery are dirty. | ▶ Clean the retaining lugs and refit the battery. |
| Red LED => lights continuously and a warning tone is emitted. | Technical problem. | ▶ Incorrect operation is possible! Contact Hilti Service . |

9 Disposal

Most of the materials from which **Hilti** tools and appliances are manufactured can be recycled. The materials must be correctly separated before they can be recycled. In many countries, your old tools, machines or appliances can be returned to **Hilti** for recycling. Ask **Hilti Service** or your Hilti representative for further information.

Battery disposal

Improper disposal of batteries can result in health hazards from leaking gases or fluids.

- ▶ DO NOT send batteries through the mail!
- ▶ Cover the terminals with a non-conductive material (such as electrical tape) to prevent short circuiting.
- ▶ Dispose of your battery out of the reach of children.
- ▶ Dispose of the battery at your **Hilti Store**, or consult your local governmental garbage disposal or public health and safety resources for disposal instructions.



- ▶ Do not dispose of power tools, electronic equipment or batteries as household waste!

10 Manufacturer's warranty

- ▶ Please contact your local **Hilti** representative if you have questions about the warranty conditions.

This Product is Certified
Ce produit est homologué
Producto homologado por
Este produto está registrado





Hilti Corporation
LI-9494 Schaan
Tel.:+423 234 21 11
Fax:+423 234 29 65
www.hilti.group



2164701



Hilti Connect