

PROXXON

SERVICE AND REPAIR

Your device does not work properly? Please read the operating instructions again carefully. If the unit is in fact defective, please send it to:

Prox-Tech, Inc.
Attn.: PROXXON Service Center
2555 Tate Blvd. S.E.
Hickory, NC 28601

Please make sure, that your tool is **carefully packaged** and include a copy of your **dated proof of purchase**. You will help us to react even quicker, if you describe the problem in short and please **don't forget to include your name, address and daytime telephone number**. We will respond in a prompt and reliable manner.

Spare Parts

You can also order any necessary **spare parts** from our Service Center at the above address. Please check the **article-number** of the tool concerned on the nameplate of the tool and define the part needed by using the **explosion drawing** in the manual that came with the tool. **Every part has a specific number** (5 digit-XX). Please provide us with this number when ordering.

For any further information call us toll free at **1-877-PROXXON** (1-877-776 9966) or visit us on the web at www.proxxon.com/us.

Made in Luxemburg
Distributed in the U. S. by **Prox-Tech, Inc.**

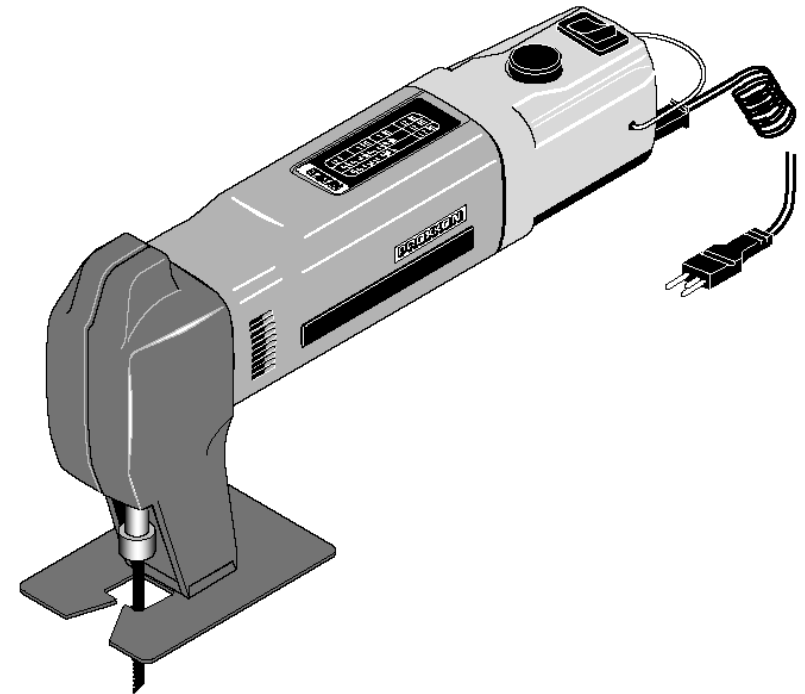
LIMITED WARRANTY OF PROXXON POWER TOOLS FOR HOME USE

Prox-Tech, Inc., ("Seller") warrants to the original purchaser only, that all PROXXON consumer power tools will be free from defects in material or workmanship for a period of two years from the date of purchase. Seller's sole obligation and your exclusive remedy under this limited warranty and, to the extent permitted by law, any warranty or condition implied by law, shall be the repair or replacement of parts, without charge, which are defective in material or workmanship and which have not been misused, carelessly handled, or misrepaired by persons other than Seller or Authorized Service Station. In the event of a failure of a product to conform to this written warranty, please refer to the Service and Repair section on the back of this manual and take action accordingly. This Limited Warranty does not apply to accessory items such as circular saw blades, drill bits, router bits, jigsaw blades, sanding belts, grinding wheels and other related items. Damage to the product resulting from tampering, accident, abuse, negligence, unauthorized repairs or alterations, unapproved attachments or other causes unrelated to problems with material or workmanship are not covered by this warranty. Any implied warranties shall be limited in duration to two years from date of purchase. Some states in the U.S. and some Canadian provinces do not allow limitations on how long an implied warranty lasts, so the above limitation may not apply to you. In no event shall seller be liable for any incidental or consequential damages (including but not limited to liability for loss of profits) arising from the sale or use of this product. Some states in the U.S. and some Canadian provinces do not allow the exclusion or limitation of incidental or consequential damages; so the above limitation or exclusion may not apply to you. This limited warranty gives you specific legal rights, and you may also have other rights, which vary from state to state in the U.S., province to province in Canada and from country to country. This limited warranty applies only to PROXXON power tools sold within the United States of America, Canada, the commonwealth of Puerto Rico and Mexico. For warranty coverage within other countries contact your local PROXXON Importer.

We reserve the right to make further alterations for the purpose of technical progress.

PROXXON

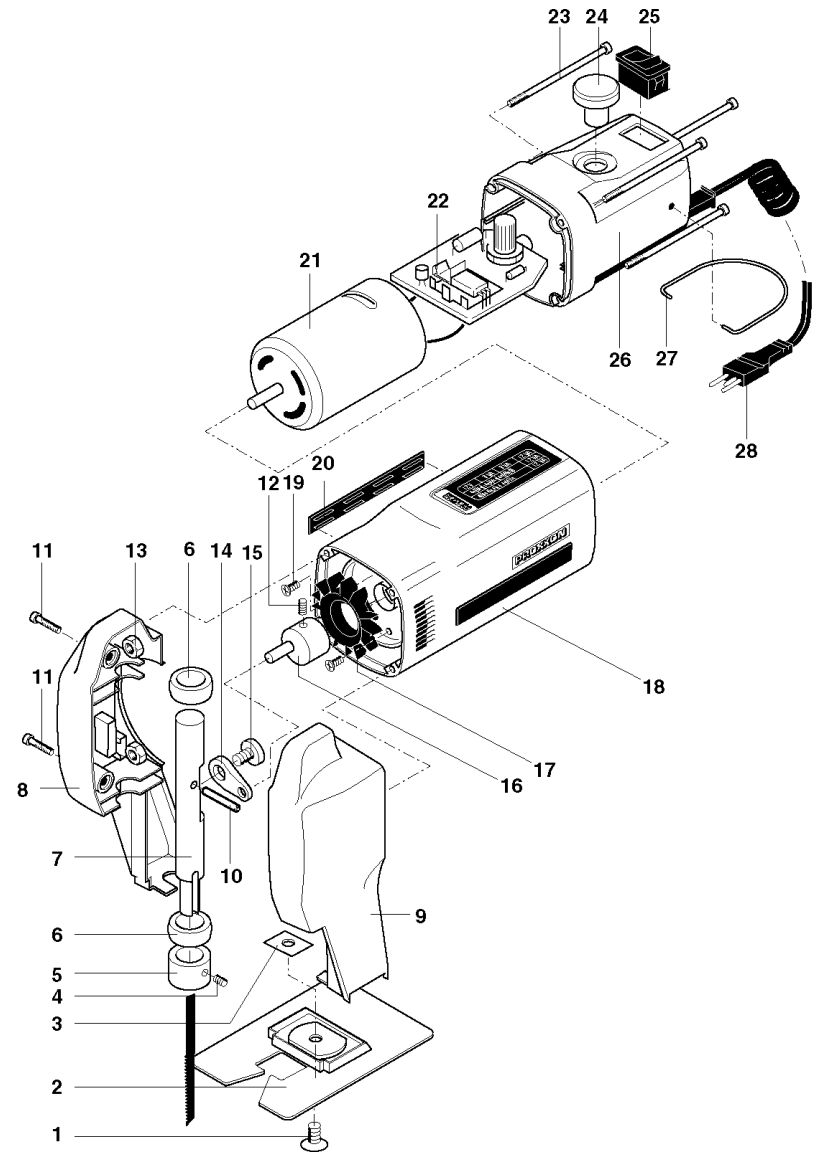
MICROMOT Jigsaw STS 12/E



Manual MICROMOT Jigsaw STS 12/E

Spare part list:

- 28 534-01 screw
- 28 534-02 saw table
- 28 534-03 press nut
- 28 534-04 set screw
- 28 534-05 collar
- 28 534-06 cup and ball bearing
- 28 534-07 push rod
- 28 534-08 housing, left
- 28 534-09 housing, right
- 28 534-10 pin
- 28 534-11 housing screw
- 28 534-12 set screw
- 28 534-13 nut
- 28 534-14 con-rod
- 28 534-15 eccentric screw
- 28 534-16 eccentric shaft
- 28 534-17 fan
- 28 534-18 motor housing incl. protection parts
- 28 534-19 motor fastening screw
- 28 534-20 protection strip, loose
- 28 534-21 motor
- 28 534-22 speed control
- 28 534-23 housing screw
- 28 534-24 control knob
- 28 534-25 switch
- 28 534-26 rear housing cap
- 28 534-27 hook
- 28 534-28 power supply cord incl. plug and grommet



General:

This very lightweight and powerful machine is ideal for curved cuts in wood up to 3/8" (10 mm), circuit boards up to 7/64" (3 mm) and non-ferrous metals up to 3/32" (2,5 mm) thickness. Its weight makes it easy to handle and thus allows for precise control of the cutting action.

Legend (fig. 1):

1. speed control knob
2. plug for connection for power supply (AC adapter)
3. on/off switch
4. saw table
5. piston
6. saw blade

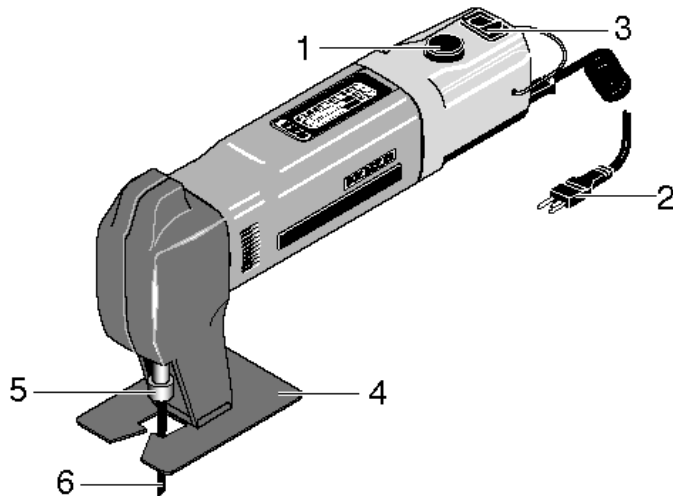


Fig. 1

Technical Data:

- Voltage: 2 – 18 Volt
- Direct current (DC) motor, 5 poles, current consumption max. 100 W.
- Electronic speed control for strokes from 2,000 – 5,000/min, stroke: 15/64" (6 mm)
- Noise development max.70 dB (A)
- Cutting depth: in wood up to 3/8" (10 mm), in circuit-boards up to 7/64" (3 mm), in non-ferrous metal up to 3/32" (2,5 mm).
- Housing made of fiberglass reinforced Nylon.
- 3 1/4" (100 cm) spiral cord.

Note:

The electronic speed-control is thyristor-regulated. Therefore it works only, when the unit is connected to non stabilized power supplies (e.g. all PROXXON MICROMOT power supplies). When connecting the unit to a battery, it will run full speed, only.

Power Supplies for Jigsaw STS 12/E:

For operating this unit we recommend PROXXON MICROMOT power supplies NG 2/S or NG 5/E or other power supply units with a minimum capacity of 2.0 A (24 VA).

Inserting and changing the saw blade (fig. 2):

Do not connect the saw to the power supply before inserting the blade and remove the plug from the adapter, when changing the saw blade during operation!

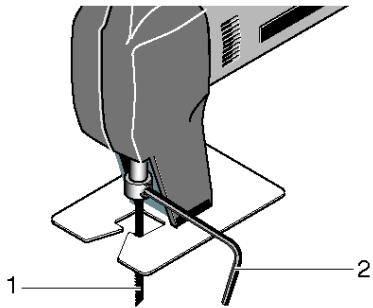


Fig. 2

Insert the saw blade **1** into the slot of the piston and tighten the clamping screw **2**, using the included Allen key.

Working with the unit (see fig. 3):

Connect the jigsaw to the chosen power source (see above) and switch it on via the rocker switch **2**:

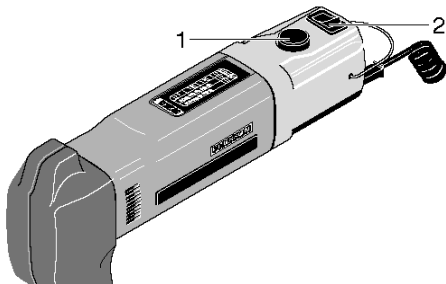


Fig. 3

A material oriented speed/stroke can be adjusted by turning the control knob **1**. Use higher speeds for wood, aluminum, brass and circuit boards, lower speeds for plastics, specially thin materials and very delicate work pieces.

Important: Only sharp and faultless saw blades will guarantee adequate cutting results. Please make sure to replace worn out saw blades in time and verify you have the appropriate saw blade, when working with different types of material.

Safety regulations:

- Do not lay down machine on your workbench while running.
- Do not leave running machine unattended.
- Let children only operate the unit, if under supervision of adults.
- Wear safety goggles.
- Make sure that the work piece is always securely fastened.
- Do not force the unit. Let the saw blade do the work!
- Store saw blades securely.
- Unplug the tool before carrying out any work on the unit.
- In any case ensure that the switch is set to the off position in order to prevent the unit from starting up again accidentally or unexpectedly.

Maintenance:

Lubricate the piston at regular intervals (after approx. 30 minutes of operation) with one drop of machine oil (see fig. 4).

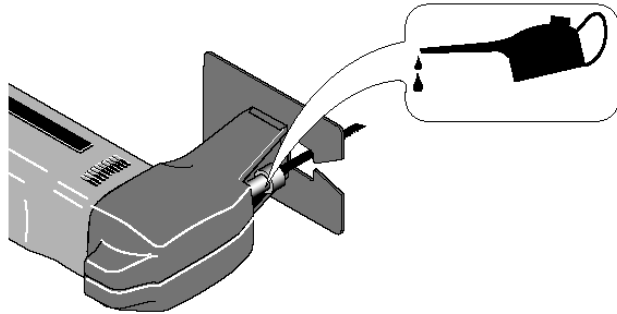


Fig. 4

Try to keep the unit as clean as possible. Other maintenance work is not necessary.