



Refrigerator

User manual

Free Standing Appliance

SAMSUNG

Contents

Safety information	4
Important safety symbols and precautions:	5
State of California Proposition 65 Warning (US only)	5
Severe warning signs for transportation and site	5
Critical installation warnings	6
Installation cautions	8
Critical usage warnings	8
Usage cautions	12
Cleaning cautions	13
Critical disposal warnings	14
1. Regulatory Notice	15
Installation	17
Refrigerator at a glance	17
Step-by-step installation	19
Operations	35
User interface	35
Samsung Smart Home	45
SMART GRID Function (Demand Response)	48
Recommendations for voice recognition	52
Dispenser panel	53
Special features	55
Maintenance	61
Handling and care	61
Cleaning	71
Replacement	73

Troubleshooting	76
General	76
Do you hear abnormal sounds from the refrigerator?	80
Samsung Smart Home	82
Smart Grid	83
LCD	84
Warranty (USA)	85
WARRANTY ON SAMSUNG REFRIGERATOR	85

Safety information

- Before using your new Samsung Refrigerator, please read this manual thoroughly to ensure that you know how to operate the features and functions that your new appliance offers safely and efficiently.
- This appliance is not intended for use by persons (including children) with reduced physical, sensory, or mental capabilities, or those who lack experience and knowledge, unless they have been given supervision or instruction concerning the use of the appliance by a person responsible for their safety.
- Because the following instructions cover various models, the characteristics of your refrigerator may differ slightly from the refrigerator described in this manual.
- If you have any question, contact us at 1-800-SAMSUNG or find help and information online at www.samsung.com.
- R-600a or R-134a is used as a refrigerant. Check the compressor label on the rear of the appliance or the rating label inside the fridge to see which refrigerant is used for your refrigerator. If this product contains flammable gas (Refrigerant R-600a), contact your local authority in regard to safe disposal of this product.
- It is hazardous for anyone other than an Authorized Service Person to service this appliance.
- In order to avoid the creation of a flammable gas-air mixture if a leak in the refrigerating circuit occurs, the size of the room in which the appliance may be sited depends on the amount of refrigerant used.
- Never start up an appliance showing any signs of damage. If in doubt, consult your dealer. The room must be 35.3 ft³ in size for every 8 g of R-600a refrigerant inside the appliance.
The amount of refrigerant in your particular appliance is shown on the identification plate inside the appliance.
- The installation location should not be exposed to direct sunlight and not placed near any electric appliance or heat source, e.g. stove, oven or hob, radiator, etc.
- If you use two products side by side, for safety reason, be sure to use certified products in explosive gas atmospheres.
- Refrigerant squirting out of the pipes could ignite or cause an eye injury. When refrigerant leaks from the pipe, avoid any naked flames and move anything flammable away from the product and ventilate the room immediately.
 - Failing to do so may result in fire or explosion.

Important safety symbols and precautions:

Please follow all safety instructions in this manual. This manual uses the following safety symbols.

WARNING

Hazards or unsafe practices that may result in **severe personal injury, property damage, and/or death.**

CAUTION

Hazards or unsafe practices that may result in **severe personal injury and/or property damage.**

NOTE

Useful information that helps users understand or benefit from the refrigerator.

These warning signs are here to prevent injury to you and others.

Please follow them carefully.

After reading this section, keep it in a safe place for future reference.

State of California Proposition 65 Warning (US only)

WARNING : This product contains chemicals known to the State of California to cause cancer and birth defects or other reproductive harm.

Severe warning signs for transportation and site

WARNING

- When transporting and installing the appliance, care should be taken to ensure that no parts of the refrigerating circuit are damaged.
 - Refrigerant leaking from the pipe work could ignite or cause an eye injury. If a leak is detected, avoid any naked flames or potential sources of ignition and air the room in which the appliance is standing for several minutes.
 - This appliance contains a small amount of isobutane refrigerant (R-600a), a natural gas with high environmental compatibility that is, however, also flammable. When transporting and installing the appliance, care should be taken to ensure that no parts of the refrigerating circuit are damaged.



Safety information

Critical installation warnings

WARNING

- Do not install the refrigerator in a damp location or place where it may come in contact with water.
 - Deteriorated insulation on electrical parts may cause an electric shock or fire.
- Do not place this refrigerator in direct sunlight or expose it to the heat from stoves, room heaters, or other appliances.
- Do not plug several appliances into the same multiple power strip. The refrigerator should always be plugged into its own individual electrical outlet which has a voltage rating that matches the voltage listed on the refrigerator's rating plate.
 - This provides the best performance and also prevents overloading of house wiring circuits, which could overheat the wires and cause a fire hazard.
- If the wall socket is loose, do not insert the power plug.
 - There is a risk of electric shock or fire.
- Do not use a power cord that has cracks or abrasion damage along its length or at either end.
- Do not bend the power cord excessively or place heavy objects on it.
- Do not pull or excessively bend the power cord.
- Do not twist or tie the power cord.
- Do not hook the power cord over a metal object, place a heavy object on the power cord, insert the power cord between objects, or push the power cord into the space behind the appliance.
- When moving the refrigerator, be careful not to roll over or damage the power cord.
 - This may result in an electric shock or fire.
- Never unplug your refrigerator by pulling on the power cord. Always grip the plug firmly and pull straight out from the outlet.
 - Damage to the cord may cause a short-circuit, fire, and/or electric shock.
- Do not store explosive substances such as aerosol cans with a flammable propellant in this appliance.
- Do not install this appliance near a heater or flammable material.
- Do not install this appliance in a location where gas may leak.
 - This may result in an electric shock or fire.
- This refrigerator must be properly located and installed in accordance with the instructions in this manual before you use it.
- Connect the power plug in the proper position with the cord hanging down.
 - If you connect the power plug upside down, the wire can get cut off and cause a fire or electric shock.



-
- Make sure that the power plug is not crushed or damaged by the back of the refrigerator.
 - Keep the packing materials out of reach of children.
 - There is a risk of death from suffocation if a child puts the packing materials on his or her head.
 - The appliance must be positioned so that the plug is accessible after installation.
 - Failing to do so may result in an electric shock or fire due to electric leakage.
 - Do not install this appliance in a humid, oily or dusty location, or in a location exposed to direct sunlight or to water (rain drops).
 - Deteriorated insulation on electrical parts may cause an electric shock or fire.
 - If large amounts of dust or water enter the refrigerator, disconnect the power plug and contact a Samsung Electronics service center.
 - Otherwise there is a risk of fire.
 - Do not stand on top of the appliance or place objects (such as laundry, lighted candles, lighted cigarettes, dishes, chemicals, metal objects, etc.) on the appliance.
 - This may result in an electric shock, fire, problems with the product, or injury.
 - You need to remove all the protective plastic film before you initially plug the product in.
 - Children should be supervised to ensure that they do not play with the snap rings used for door adjustment or the water tube clips.
 - There is risk of death by suffocation if a child swallows a snap ring or water tube clip. Keep the snap rings and water tube clips out of children's reach.
 - The refrigerator must be safely grounded.
 - Always make sure that you have grounded the refrigerator before attempting to investigate or repair any part of the appliance. Power leakages can cause severe electric shock.
 - Never use gas pipes, telephone lines, or other potential lightning attractors as an electrical ground.
 - You must ground the refrigerator to prevent any power leakages or electric shocks caused by current leakage from the refrigerator.
 - Current leakage may result in an electric shock, fire, explosion, or problems with the product.
 - Improper use of the grounding plug can result in a risk of electric shock. If it is necessary to use an extension cord, use only a 3-wire extension cord that has a 3-blade grounding plug and a 3-slot receptacle that will accept the plug on the appliance. The marked rating of the extension cord should be AC 115-120 V, 10 A, or more. If a grounding adapter is used, make sure the receptacle box is fully grounded.

Safety information

- Plug the power plug into the wall socket firmly. Do not use a damaged power plug, damaged power cord, or loose wall socket.
 - This may result in an electric shock or fire.
- If the power cord is damaged, have it replaced immediately by the manufacturer or one of its service agents.
- Only a qualified technician or service company should be allowed to change the fuse in the refrigerator.
 - Failing to do so may result in an electric shock or personal injury.

Installation cautions

CAUTION

- Allow sufficient space around the refrigerator and install it on a flat surface.
 - Keep the ventilation space in the appliance enclosure or mounting structure clear of obstructions.
- After you have installed the refrigerator and turned it on, allow the appliance to stand for 2 hours before loading it with food.
- It is strongly recommended you have a qualified technician or service company install the refrigerator.
 - Failing to do so may result in an electric shock, fire, explosion, problems with the product, or injury.
- Overloading one door may make the refrigerator fall, causing physical injury.

Critical usage warnings

WARNING

- Do not insert the power plug into a wall socket with wet hands.
 - This may result in an electric shock.
- Do not store articles on the top of the appliance.
 - When you open or close the door, the articles may fall and cause personal injury and/or material damage.
- Do not insert hands, feet, or metal objects (such as chopsticks, etc.) into the bottom or the back of the refrigerator.
 - This may result in an electric shock or injury.
 - Any sharp edges may cause a personal injury.

- Do not touch the inside walls of the freezer or products stored in the freezer with wet hands.
 - This may cause frostbite.
- Do not put a container filled with water on the refrigerator.
 - If spilled, there is a risk of fire or electric shock.
- Do not keep volatile or flammable objects or substances (benzene, thinner, propane gas, alcohol, ether, LP gas, and other such products) in the refrigerator.
 - This refrigerator is for storing food only.
 - This may result in fire or explosion.
- Children should be supervised to ensure that they do not play with the appliance.
 - Keep fingers out of “pinch point” areas. Clearances between the doors and cabinet are necessarily small. Be careful when you open the doors if children are in the area.
- Do not let children hang on the door or door bins. A serious injury may occur.
- Do not let children go inside the refrigerator. They could become trapped.
- Do not insert your hands into the area under the appliance.
 - Any sharp edges may cause personal injury.
- Do not store pharmaceutical products, scientific materials, or temperature sensitive products in the refrigerator.
 - Products that require strict temperature controls must not be stored in the refrigerator.
- Do not place or use electrical appliances inside the refrigerator/freezer, unless they are of a type recommended by the manufacturer.
- If you smell smoke, pull out the power plug immediately, and then contact a Samsung Electronics service center.
- If large amounts of dust or water enter the refrigerator, disconnect the power plug and contact your Samsung Electronics service center.
 - Otherwise there is a risk of fire.
- Do not let children step on a drawer.
 - The drawer may break and cause them to slip.
- Do not leave the doors of the refrigerator open while the refrigerator is unattended and do not let children enter the refrigerator.
- Do not allow babies or children go into a drawer.
 - It can cause death from suffocation by entrapment or personal injury.
- Do not overfill the refrigerator with food.
 - When you open the door, an item may fall out and cause personal injury or material damage.
- Do not spray volatile material such as insecticide onto the surface of the appliance.
 - As well as being harmful to humans, it may also result in an electric shock, fire, or problems with the product.



Safety information

- Never put fingers or any objects into the water dispenser outlet, ice chute, or ice maker bucket.
 - It may cause a personal injury or material damage.
- Do not use or place any substances sensitive to temperature such as flammable sprays, flammable objects, dry ice, medicine, or chemicals near or inside the refrigerator.
- Do not use a hair dryer to dry the inside of the refrigerator. Do not place a lighted candle in the refrigerator to remove bad odors.
 - This may result in an electric shock or fire.
- Fill the water tank and ice cube trays with potable water only (tap water, mineral water, or purified water).
 - Do not fill the tank with tea, juice, or a sports drink. They can damage the refrigerator.
- Do not stand on top of the appliance or place objects (such as laundry, lighted candles, lighted cigarettes, dishes, chemicals, metal objects, etc.) on the appliance. This may result in an electric shock, fire, problems with the product, or injury. Do not put a container filled with water on the appliance.
 - If spilled, there is a risk of fire or electric shock.
- Do not use mechanical devices or any other means to accelerate the defrosting process, other than those recommended by the manufacturer.
- Do not damage the refrigerant circuit.
- Never stare directly at the UV LED lamp for long periods of time.
 - This may result in eye strain due to the ultraviolet rays.
- Do not put a fridge shelf into the refrigerator upside down. The shelf stopper will not work.
 - The glass shelf could fall and cause personal injury.
- Keep fingers out of “pinch point” areas. Clearances between the doors and cabinet are necessarily small. Be careful when you open the doors if children are in the area.
- If a gas leak is detected, avoid any naked flames or potential sources of ignition, and air the room in which the appliance is standing for several minutes.
 - Do not touch the appliance or power cord.
 - Do not use a ventilating fan.
 - A spark may result in an explosion or fire.
- Use only the LED Lamps provided by the manufacturer or its service agents.
- Bottles should be stored tightly together so that they do not fall over or out.
- This product is intended only for the storage of food in a domestic environment.
- Never put fingers or any objects into the water dispenser outlet, ice chute, or ice maker bucket.
 - This can cause a personal injury or material damage.



-
- Do not attempt to repair, disassemble, or modify the refrigerator yourself.
 - Unauthorized modifications can cause safety problems. To reverse an unauthorized modification, we will charge the full cost of parts and labor.
 - Do not use any fuse (such as cooper, steel wire, etc.) other than a standard fuse.
 - If your refrigerator needs to be repaired or reinstalled, contact your nearest Samsung service center.
 - Failing to do so may result in an electric shock, fire, problems with the product, or injury.
 - If the interior or exterior LED lamp has gone out, contact your nearest Samsung service center.
 - If the refrigerator emits a burning smell or smoke, unplug the refrigerator immediately and contact a Samsung service center.
 - Failing to do so may result in an electric or fire hazards.
 - Pull the power plug out of the socket before changing the interior lamps of the refrigerator.
 - Otherwise, there is a risk of electric shock.
 - If you experience difficulty changing a non-LED light, contact a Samsung service center.
 - If the product is equipped with LED lamps, do not disassemble the Lamp Covers and LED lamps yourself.
 - Contact a Samsung service center.
 - Plug the power plug into the wall socket firmly.
 - Do not use a damaged power plug, damaged power cord, or loose wall socket.
 - This may result in an electric shock or fire.



Safety information

Usage cautions

CAUTION

- Do not re-freeze frozen foods that have thawed completely.
- Use only the ice maker provided with the refrigerator.
- To get the best performance from the product:
 - Do not place food too close to the vents at the rear of the refrigerator as this can obstruct free air circulation in the refrigerator compartment.
 - Wrap food up properly or place it in airtight containers before putting it into the refrigerator.
 - Please observe maximum storage times and expiration dates of frozen goods.
- Do not put glass containers or bottles or carbonated beverages into the freezer.
 - The container may freeze and break, and this may result in injury.
- Service Warranty and Modification.
 - Any changes or modifications performed by a 3rd party on this finished appliance are not covered under Samsung warranty service, nor is Samsung responsible for safety issues that result from 3rd party modifications.
- Do not block the air vents inside the refrigerator.
 - If the air vents are blocked, especially with a plastic bag, the refrigerator can be over cooled. If a cooling period lasts too long, the water filter may break and cause water leakage.
- If the refrigerator is disconnected from the power supply, you should wait for at least five minutes before plugging it back in.
- If large amounts of water enter the refrigerator, pull out the power plug and contact a Samsung service center.
- Do not strike or apply excessive force to any glass surface.
 - Broken glass may result in a personal injury and/or property damage.
- Fill the water tank and ice cube trays with potable water only (tap water, mineral water, or purified water).
 - Do not fill the tank with tea, juice, or a sports drink. They can damage the refrigerator.
- If the refrigerator is flooded, shut off the power to the refrigerator and contact your nearest Samsung service center.
 - There is a risk of electric shock or fire.



Cleaning cautions

CAUTION

- Do not spray water directly on the inside or outside of the refrigerator.
 - There is a risk of fire or electric shock.
- Do not use a hair dryer to dry the inside of the refrigerator.
- Do not place a lighted candle in the refrigerator to remove bad odors.
 - This may result in an electric shock or fire.
- Do not spray cleaning products directly on the display.
 - Printed letters on the display may come off.
- If any foreign substance such as water has entered the appliance, unplug the power plug and contact your nearest Samsung service center.
 - Failing to do so may result in an electric shock or fire.
- Use a clean, dry cloth to remove any foreign matter or dust from the power plug blades. Do not use a wet or damp cloth when cleaning the plug.
 - Otherwise, there is a risk of fire or electric shock.
- Do not clean the appliance by spraying water directly onto it.
- Do not use benzene, thinner, or Clorox (bleach) to clean the refrigerator.
 - They may damage the surface of the appliance and may cause a fire.
- Never put fingers or any objects into the dispenser outlet.
 - This can cause a personal injury or material damage.
- Before cleaning or performing maintenance, unplug the appliance from the wall socket.
 - Failing to do so may result in an electric shock or fire.

Safety information

Critical disposal warnings

WARNING

- **DANGER** : Risk of child entrapment. Before you throw away your old refrigerator or freezer:
 - Take off the doors and door latch.
 - Leave the shelves in place so that children cannot easily climb inside.
 - Children trapped inside a refrigerator can hurt themselves or suffocate to death.
- Please dispose of the packaging material from this product in an environmentally friendly manner.
- Ensure that none of the pipes on the back of the refrigerator are damaged prior to disposal.
- R-600a or R-134a is used as a refrigerant. Check the compressor label on the rear of the appliance or the rating label inside the fridge to see which refrigerant is used for your refrigerator. If this refrigerator contains flammable gas (Refrigerant R-600a), contact your local authority in regard to the safe disposal of this product.
- When disposing of this refrigerator, remove the door/door seals and door latch so that small children or animals cannot become trapped inside. Children should be supervised to ensure that they do not play with the appliance.
 - If trapped inside, the child could be injured or suffocate to death.
- Cyclopentane is used in the insulation. The gases in the insulation material require a special disposal procedure. Please contact your local authorities in regard to the environmentally safe disposal of this product.
- Keep all packaging materials well out of the reach of children, as packaging materials can be dangerous to children.
 - If a child places a bag over his or her head, the child could suffocate.

1. Regulatory Notice

1.1 FCC Notice

FCC CAUTION:

Any changes or modifications not expressly approved by the party responsible for compliance could void the user's authority to operate the equipment.

Contains Transmitter Module FCC ID: A3LWCM730Q

This device complies with Part 15 of FCC Rules. Operation is Subject to the following two conditions:

- (1) This device may not cause harmful interference, and
- (2) This device must accept any interference received including interference that cause undesired operation.

For products available in the US and Canadian markets, only channels 1~11 are available. You cannot select other channels.

FCC STATEMENT:

This equipment has been tested and found to comply within the limits for a Class B digital device, pursuant to part 15 of the FCC Rules. These limits are designed to provide reasonable protection against harmful interference in a residential installation.

This equipment generates, uses, and can radiate radio frequency energy and, if not installed and used in accordance with the instructions, may cause harmful interference to radio communications. However, there is no guarantee that interference will not occur in a particular installation. If this equipment does cause harmful interference to radio or television reception, which can be determined by turning the equipment off and on, the user is encouraged to try to correct the interference by one or more of the following measures:

- Reorient or relocate the receiving antenna
- Increase the separation between the equipment and receiver
- Connect the equipment to an outlet that is on a different circuit than the receiver.
- Consult the dealer or an experienced radio/TV technician for help.

FCC RADIATION EXPOSURE STATEMENT:

This equipment complies with FCC radiation exposure limits set forth for an uncontrolled environment.

This equipment should be installed and operated so there is at least 8 inches (20 cm) between the radiator and your body. This device and its antennas must not be co-located or operated in conjunction with any other antenna or transmitter except in accordance with FCC multi-transmitter product procedures.

Safety information

1.2 IC Notice

Contains Transmitter Module IC: 649E-WCM730Q

The term “IC” before the radio certification number only signifies that Industry Canada technical specifications were met. Operation is subject to the following two conditions : (1) this device may not cause interference, and (2) this device must accept any interference, including interference that may cause undesired operation of the device.

This Class B digital apparatus complies with Canadian ICES-003.

Cet appareil numérique de la classe B est conforme à la norme NMB-003 du Canada.

For products available in the US and Canadian markets, only channels 1~11 are available. You cannot select other channels.

IC RADIATION EXPOSURE STATEMENT:

This equipment complies with IC RSS-102 radiation exposure limits set forth for an uncontrolled environment. This equipment should be installed and operated so there is at least 8 inches (20 cm) between the radiator and your body. This device and it's antennas must not be co-located or operated in conjunction with any other antenna or transmitter except in accordance with FCC multi-transmitter product procedures.

SAVE THESE INSTRUCTIONS

Installation

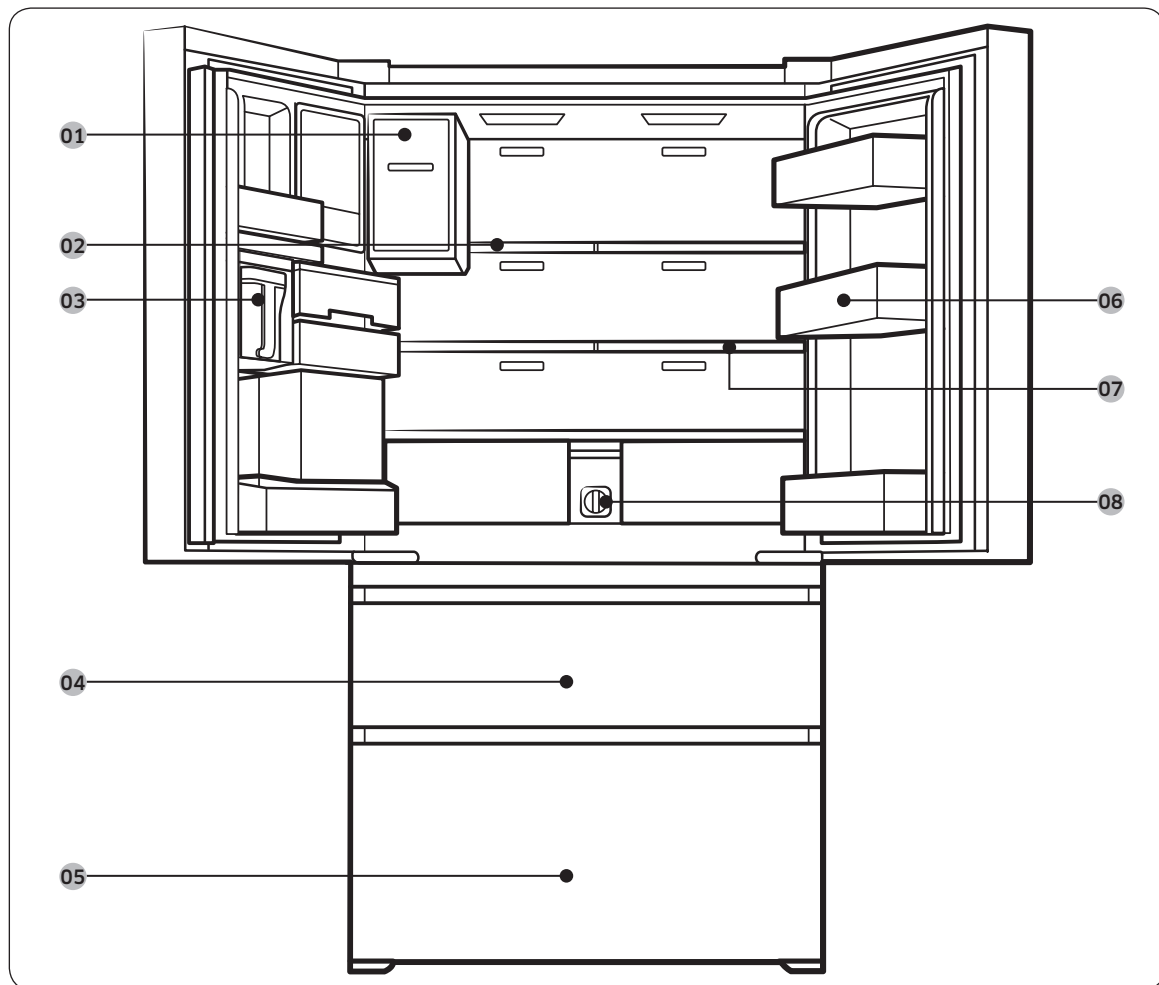
Follow these instructions carefully to ensure a proper installation of this refrigerator and to prevent accidents before using it.

⚠ WARNING

- Use the refrigerator only for its intended purpose as described in this manual.
- Any servicing must be performed by a qualified technician.
- Dispose of the product packaging material in compliance with the local regulations.
- To prevent electric shock, unplug the power plug before servicing or replacing parts.

Refrigerator at a glance

The actual refrigerator and provided component parts of your refrigerator may differ from the illustrations in this manual, depending on the model and the country.



Installation

01 Auto Ice Maker

03 Water tank (Auto Water Fill)

05 Freezer

07 2-Step Foldable Shelf

02 1-Step Foldable Shelf

04 FlexZone™

06 Door bins

08 Water filter

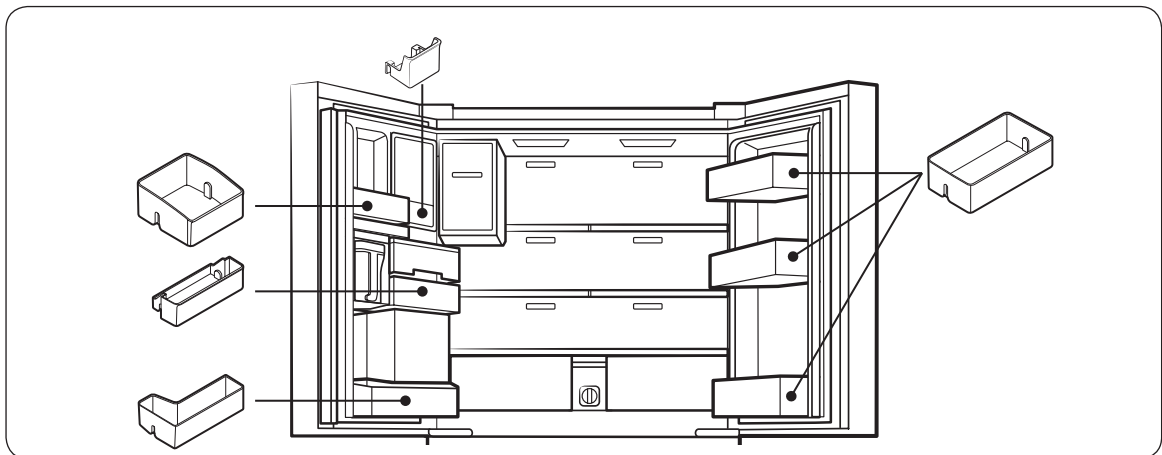
* applicable models only

NOTE

- For energy efficiency, keep all shelves, drawers, and baskets in their original positions.
- When closing the door, make sure the vertical hinged section is in the correct position to avoid scratching the other door.
- If the vertical hinged section is reversed, put it back into the correct position, and then close the door.
- Moisture may form at times on the vertical hinged section.
- If you close a door forcefully, the other door may open.
- When a door opens, the interlock switch automatically disables the auger motor of the ice maker for safety reasons.
- If the internal or external LED lamp is out of order, contact a local Samsung service center.

Door bins

Your refrigerator ships with door bins of different types and sizes. If the door bins for your refrigerator were packaged separately, use the figure below to help you position the bins properly.



Step-by-step installation

STEP 1 Select a site

Select a site that:

- Has a solid, level surface without carpeting or flooring that may obstruct ventilation
- Is away from direct sunlight
- Has adequate room for opening and closing the door
- Is away from any heat sources
- Provides room for maintenance and servicing
- Has a temperature range between 50 °F (10 °C) and 109 °F (43 °C)

⚠ CAUTION

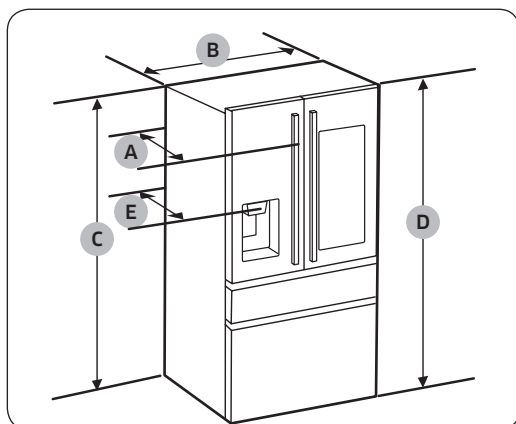
- If your refrigerator is equipped with an ice maker, secure extra space at the rear of the refrigerator for the water line connection.
- When you install the refrigerator next to a fixed wall, you must secure a minimum clearance of 3 3/4" (95 mm) from the wall to allow the door to swing open.

📄 NOTE

To facilitate moving your refrigerator to its final location, be sure to measure the width and height of doorways, thresholds, ceilings, stairways, and anything else that needs to be taken into consideration to ensure you can move your refrigerator safely. The following diagram illustrates the exact height and depth (factory specifications) of your refrigerator.

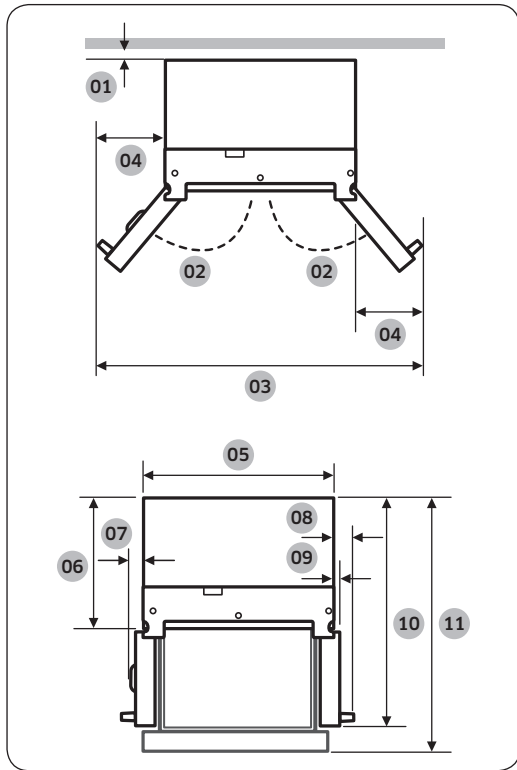
Clearance

See the pictures and table below for space requirements for installation.



Model	RF23M857*** RF23M858***	RF23M859***
Depth "A"	-	30 3/4" (781 mm)
Width "B"	35 3/4" (908 mm)	35 3/4" (908 mm)
Height "C"	68 7/8" (1749 mm)	68 7/8" (1749 mm)
Overall Height "D"	70" (1777 mm)	70" (1777 mm)
Depth "E"	29 1/4" (741 mm)	29 1/4" (741 mm)

Installation



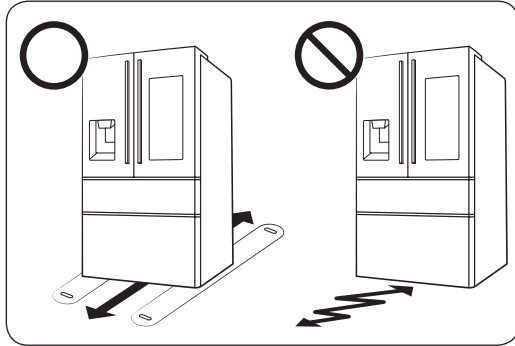
Model	RF23M857*** RF23M858***	RF23M859***
01	2" (50 mm)	2" (50 mm)
02	125°	125°
03	58" (1474 mm)	60 5/8" (1540 mm)
04	11 1/8" (283 mm)	12 3/8" (316 mm)
05	35 3/4" (908 mm)	35 3/4" (908 mm)
06	24" (610 mm)	24" (610 mm)
07	2 1/2" (64 mm)	2 1/2" (64 mm)
08	-	4 1/8" (104 mm)
09	1 3/4" (45.4 mm)	1 3/4" (45.4 mm)
10	43 1/8" (1095.5 mm)	43 1/8" (1095.5 mm)
11	45" (1143 mm)	45" (1143 mm)

NOTE

The measurements in the table above may differ slightly from the actual measurements, depending on the measuring and rounding method.

STEP 2 Flooring

If the refrigerator cannot pass through the entrance due to its size, see **STEP 3 Door removal** for entrance.



NOTE

To prevent floor damage, make sure the front levelling legs are in the upright position.

- The surface you install the refrigerator must support a fully loaded refrigerator.
- To protect the floor, put a large piece of cardboard along the path to the refrigerator's final installation location.
- Once the refrigerator is in its final position, do not move it unless necessary to protect the floor. If you have to move the refrigerator, place thick paper or cloth such as old carpets along the path of movement.

Installation

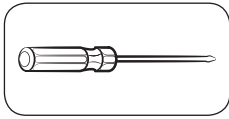
STEP 3 Door removal for entrance

If the refrigerator cannot pass through the entrance to your home or kitchen due to its size, follow these instructions to remove and then re-install the refrigerator's doors. If you do not need to remove the doors, go to page 29 to continue the installation procedure.

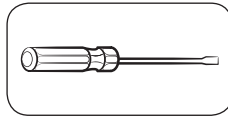
WARNING

Unplug the power cord of the refrigerator before removing the doors.

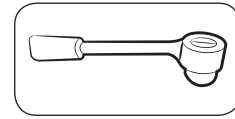
Tools required (not provided)



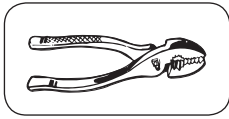
Phillips screwdriver



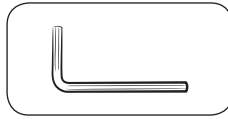
Flat-head screwdriver



Socket wrench $\frac{3}{8}$ " (10 mm)

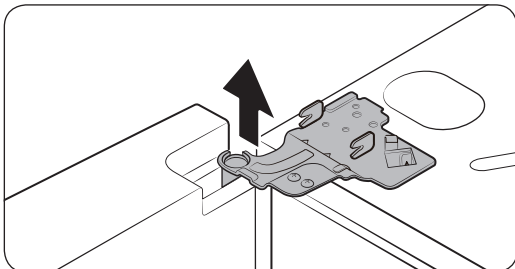
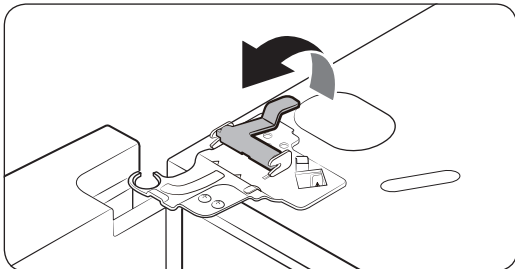
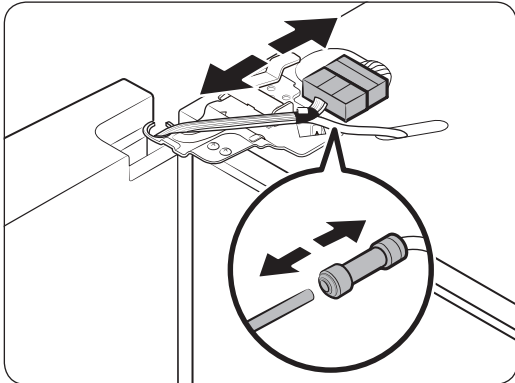
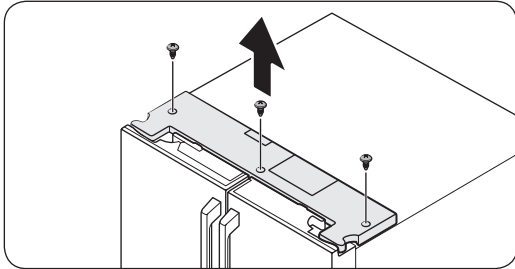


Pliers



Allen wrench $\frac{1}{4}$ " (5 mm)

Detach the fridge doors



1. With the door opened, remove the screws from the **top cover**.

2. Disconnect the wires and the water tube from the left-side door. Do the following sequentially:

- Decouple the **connector**.
- While holding down one end of the water line coupler, disconnect the **water tube**.

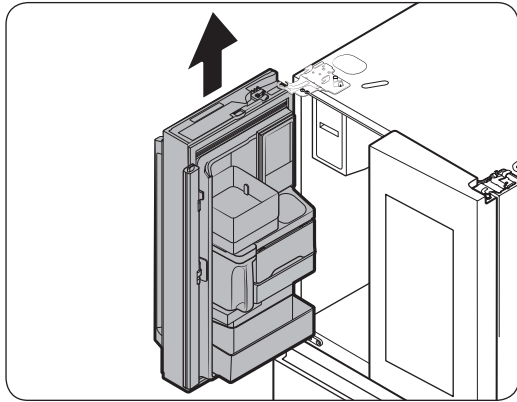
CAUTION

Keep the water tube clips out of children's reach.

3. Remove the top hinges.

- Pull and remove the **hinge lever**.
- Then, remove the **door hinge**.
- Repeat this step on the other side.

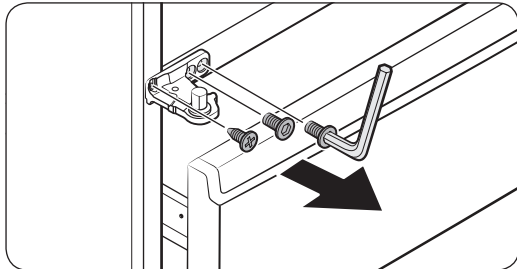
Installation



4. Lift straight up to remove the door.
 - Repeat this step on the other side.

⚠ CAUTION

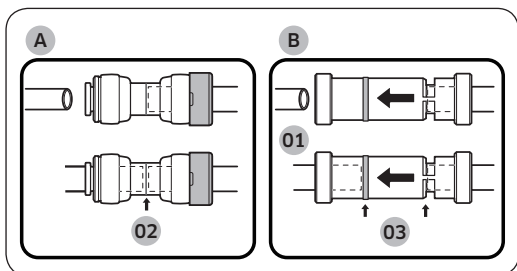
Do not remove both doors simultaneously. Make sure to remove one door at a time. Otherwise, any of the doors may fall and cause physical injury.



5. Remove the middle hinge.
 - Remove the **screw** from the hinge using a Phillips screwdriver.
 - Remove 1 **hex-head bolts** from the hinge using an Allen wrench ($\frac{1}{4}$ ", 5 mm).
 - Remove the **middle hinge**.
 - Repeat this step on the other side.

To reattach the fridge door

After you have moved the refrigerator to its final location, reattach the doors by following the removal instructions in reverse order.

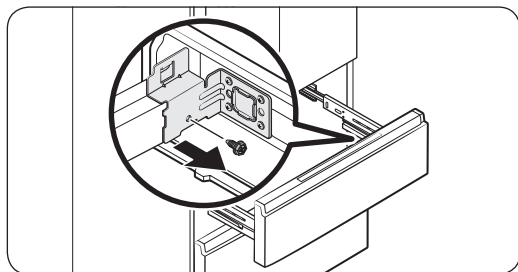
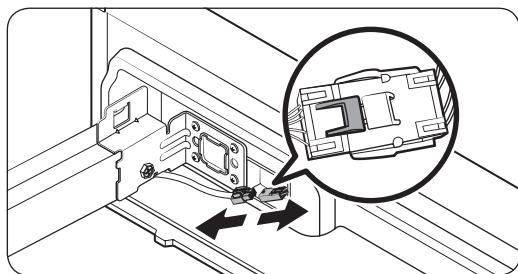
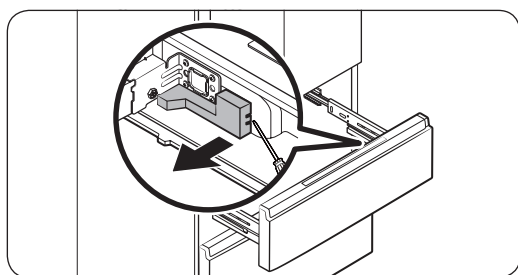
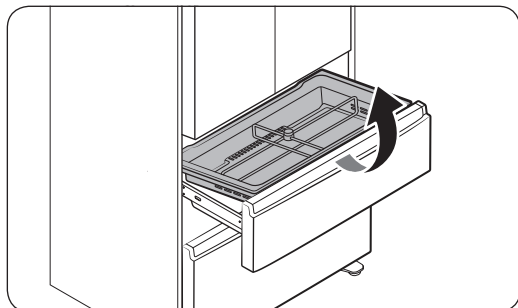


- 01 Dispenser
- 02 Center of transparent coupler
- 03 Guidelines

⚠ CAUTION

To prevent water leaks from the dispenser, the water line must be fully connected. Make sure both tubes of the water line are inserted fully to the center of transparent coupler (A) or the guidelines (B).

Detach the FlexZone™ drawer



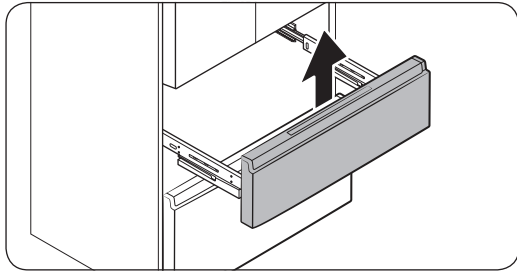
1. Lift up to remove the FlexZone™ basket.

2. Remove the **wire cover** with harness using a flat-head screwdriver.

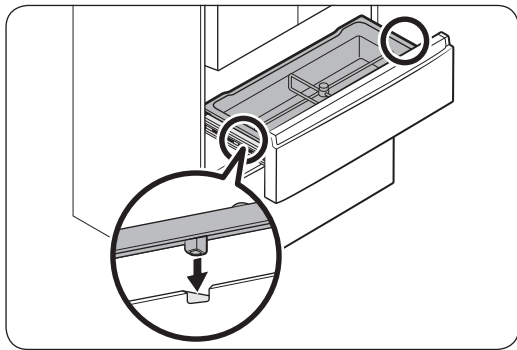
3. Press the **locking tab** to disconnect the wire connector.

4. Remove the hex-head bolt from each side using a socket wrench ($\frac{3}{8}$ " , 10 mm) or a screwdriver.

Installation



5. Lift up to remove the **drawer front of the FlexZone™** from the rail assembly.



⚠ CAUTION

- Use caution when removing the rail assembly, which may fall off causing damage to the floor.
- Make sure to put the FlexZone™ drawer in place after removing or mounting the FlexZone™ basket. The FlexZone™ drawer may not open or close if the freezer drawer is not in place.
- Do not store too much food in the FlexZone™ drawer. This prevents the FlexZone™ drawer from closing properly, resulting in frost buildup.

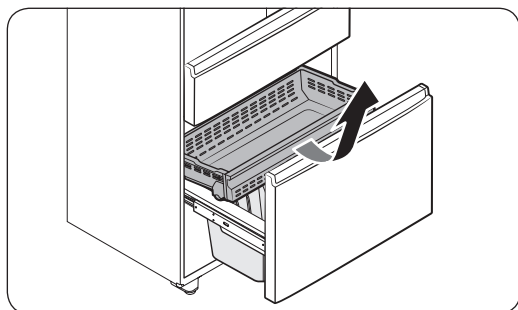
To reattach the FlexZone™ drawer

After you have moved the refrigerator to its final location, reattach the FlexZone™ drawer by following the removal instructions in reverse order.

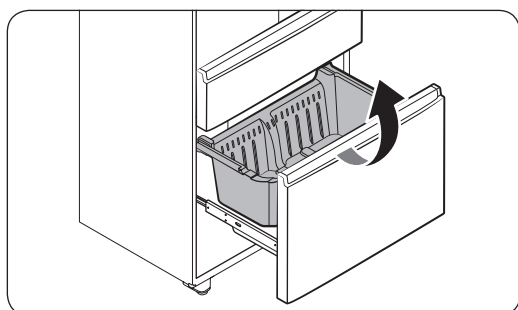
⚠ CAUTION

If the FlexZone™ or the indicator does not operate properly, make sure the connectors are connected properly.

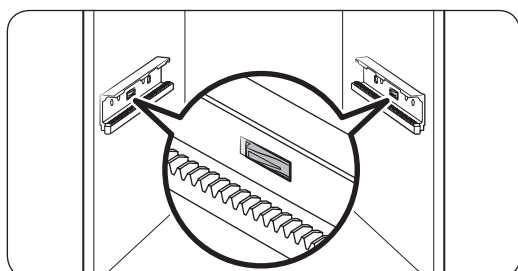
Detach the freezer drawer



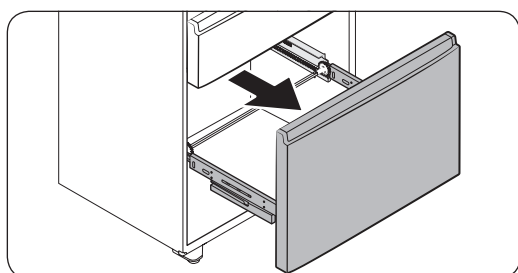
1. Push the **upper basket** to the end, and then pull up to remove.



2. Pull up to remove the **lower basket** from the rail assembly.

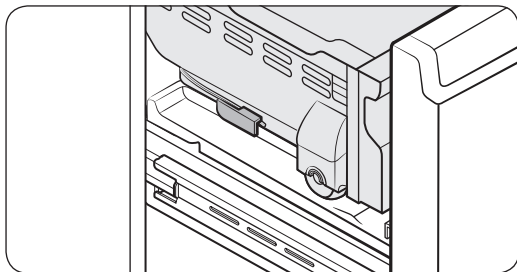
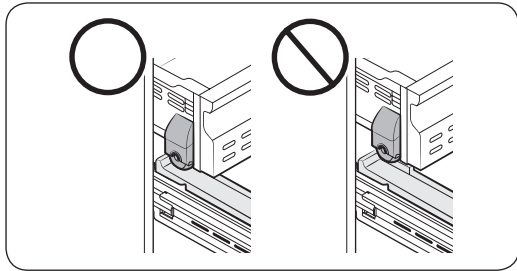
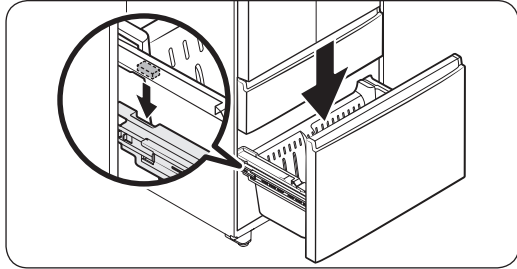


3. Press down the hooks to unlock the rail assembly.



4. While holding the upper area of the **drawer front of the freezer**, slide out all the way to remove the freezer drawer from the rail assembly.

Installation



⚠ CAUTION

- Make sure you mount the freezer baskets in the right position. Otherwise, the drawer will not open or close properly, which causes frost to build up.
- Do not store too much food in the freezer baskets. This prevents the freezer drawer from closing properly, resulting in frost buildup.
- While the lower basket is fully open, put the upper basket into the freezer drawer. Make sure the wheels of the upper basket are on the end of the rails of the lower basket.
- Put the wheels of the upper basket on the end of the rails of the lower basket. Then, slide the upper basket all the way to the front.
- Be careful not to scratch or dent the rail assembly.

To reattach the freezer drawer

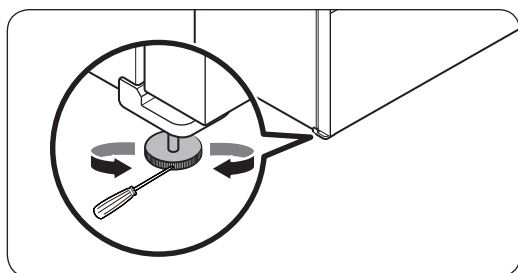
After you have moved the refrigerator to its final location, reattach the freezer drawer by following the removal instructions in reverse order.

STEP 4 Levelling the refrigerator

CAUTION

- The refrigerator must be levelled on a flat, solid floor. Failing to do so can cause damage to the refrigerator or physical injury.
- Levelling must be performed with the refrigerator empty. Make sure no food items are inside the refrigerator.
- Also, open the freezer drawer and remove the lower basket.
- For safety reasons, adjust the refrigerator so that the front is a little higher than the rear.

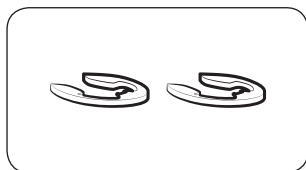
Level the refrigerator using the special screws (levellers) on the front legs. Use a flat-head screwdriver to turn the levellers.



- To adjust the height on one side: Insert a flat-head screwdriver into a notch in the leveller on that side. (left or right) Turn the leveller clockwise to raise the refrigerator. Turn it counterclockwise to lower. Repeat on the other side.

Installation

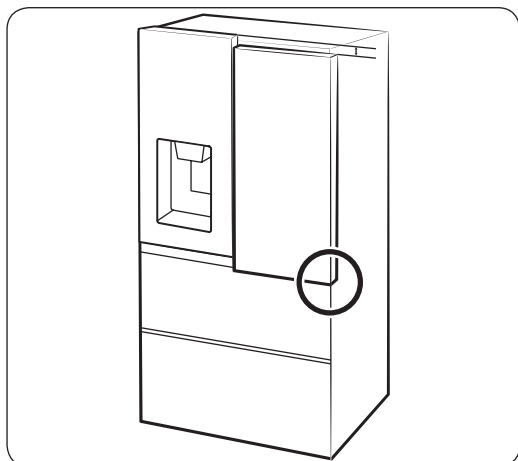
STEP 5 Adjust the door height and the door gap



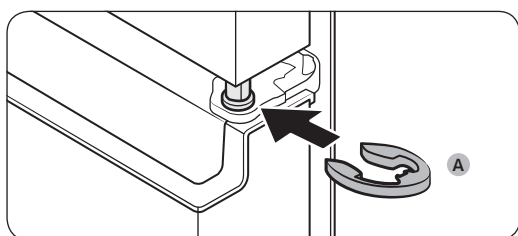
Snap rings

The height of a door can be adjusted using the provided snap rings, which come in 4 different sizes (1 mm, 1.5 mm, 2 mm, and 2.5 mm).

To adjust the height of a door



1. Check the height difference between the doors, and then raise and hold the door with the lower height.



2. Insert a suitable-sized snap ring (A) between the door and the hinge as shown.

CAUTION

- Insert only one snap ring. If you insert two or more snap rings, the rings may slip out or make a rubbing noise.
- Keep the snap rings out of children's reach and keep them for future use.
- Do not raise the door too much. The door can contact and damage the top cover.

STEP 6 Connect the water dispenser line

A water dispenser with a filter is one of the helpful features on your new refrigerator. To help promote better health, the water filter removes unwanted particles from your water. However, it does not sterilize or destroy microorganisms. You may need to purchase a water purifying system to do that.

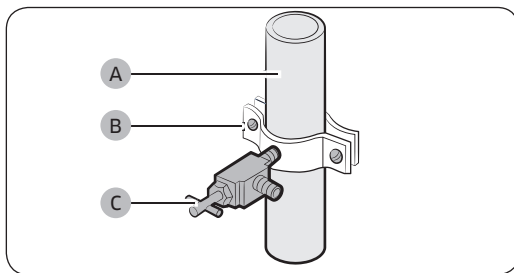
The water line also connects to the ice maker. For the ice maker to operate properly, water pressure of 20-125 psi is required.

If the refrigerator is installed in an area with low water pressure (below 20 psi), you can install a booster pump to compensate for the low pressure.

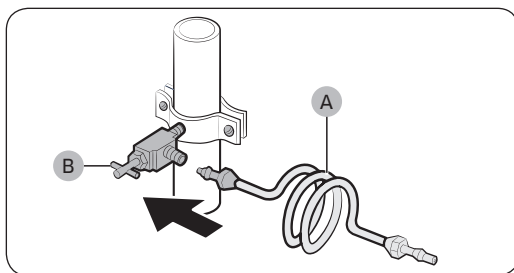
After you have connected the water line, make sure the water storage tank inside the refrigerator is properly filled. To do this, press the water dispenser lever until water runs from the water outlet.

NOTE

- Water line installation kits are available at extra cost from your retailer. We recommend using a water line installation kit that contains copper tubing and a 1/4" (6 mm) compression nut.
- Use the new hose-sets supplied with the appliance only. Do not re-use an old hose set.



1. Shut off the main water source.
2. Insert the pipe clamp (B) and the shutoff valve (C) into the cold water line (A).



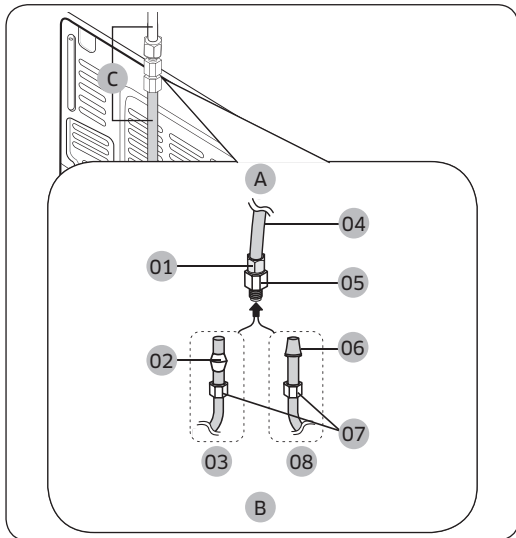
3. Connect the water line installation kit (A) to the shutoff valve (B).

Installation

Connect the water supply line to the refrigerator

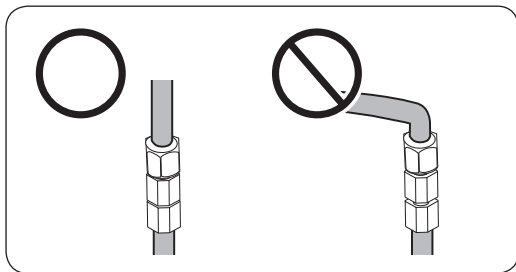
There are several items you must purchase to complete this connection. You may find these items sold as a kit at your local hardware store.

Copper Tubing	<ul style="list-style-type: none"> • 1/4" copper tubing • 1/4" compression nut (1 pc) • Ferrule (2 pc)
Plastic Tubing	<ul style="list-style-type: none"> • 1/4" plastic tubing → Molded end (Bulb) • 1/4" compression nut (1 pc)



- A. Refrigerator
- B. Household water supply line
- C. Water Line: must be kept straight.

- 01 Compression Nut (1/4") (Assembled)
- 02 Ferrule (Not supplied)
- 03 Copper tubing (Not supplied)
- 04 Plastic Tubing (Assembled)
- 05 Compression Fitting (Assembled)
- 06 Molded end (Bulb)
- 07 Compression nut (B) (1/4") (Not supplied)
- 08 Plastic Tubing (A) (Not supplied)



NOTE

If you have to relocate the refrigerator after connecting the **water line (C)**, make sure the joined section of the water line must be straight.

1. Connect the household water line to the assembled compression fitting.
 - If you are using copper tubing, slip the **compression nut (B)** (not supplied) and **ferrule** (not supplied) on the copper tubing (not supplied) as shown.
 - If you are using **plastic tubing (A)**, insert the molded end (Bulb) of the **plastic tubing (A)** into the compression fitting.

CAUTION

- If you use **plastic tubing (A)**, do not use it without the molded end (Bulb).
 - Leaving the water line disconnected may cause the water valve to produce a buzzing sound over time. If this is the case, make sure that the ice making function is turned “OFF” and do not attempt to use the water dispenser.
2. Tighten the **compression nut (B)** onto the **compression fitting**. Do not over-tighten the **compression nut (B)**.
 3. Turn the water on and check for any leakage. If you find water drops or leakage in the connection areas, turn off the main water supply. Check the connections and, if necessary, tighten.
 4. Flush 1 gallon of water through the filter before drinking or using the water from the refrigerator. (Flush approximately 6 minutes.) To flush, press a large glass or cup against the water dispenser lever. Fill the glass, empty it, and then repeat.
 5. After you turn on the refrigerator, let the ice maker make ice for 1 to 2 days. Over that period of time, throw out the first 1 or 2 buckets of ice the ice maker makes to ensure all impurities have been removed from the water line.

NOTE

Only connect the water line to a potable water source.

- If you have to repair or disassemble the water line, cut off $\frac{1}{4}$ “ of the plastic tubing to make sure you get a snug, leak-free connection.
- You can test the water line quickly using a paper cup. Under normal conditions, the water dispenser can fill a $5\frac{3}{4}$ oz. (170 cc) cup in about 10 seconds.

STEP 7 Initial settings

By completing the following steps, the refrigerator should be fully functioning.

1. Plug the power cord into the wall socket to turn the refrigerator on.
2. Open the door, and check if the interior light lights up.
3. Set the temperature to the coldest setting, and wait for about an hour. Then, the freezer will be slightly chilled, and the motor should be running smoothly.
4. Wait until the refrigerator reaches the set temperature. Now the refrigerator is ready for use.

Installation

STEP 8 Final check

When installation is complete, confirm that:

- The refrigerator is plugged into an electrical outlet and grounded properly.
- The refrigerator is installed on a flat, level surface with a reasonable clearance from walls and cabinets.
- The refrigerator is level and is sitting firmly on the floor.
- The door opens and closes freely, and the interior light turns on automatically when you open the door.

Operations

User interface

NOTE

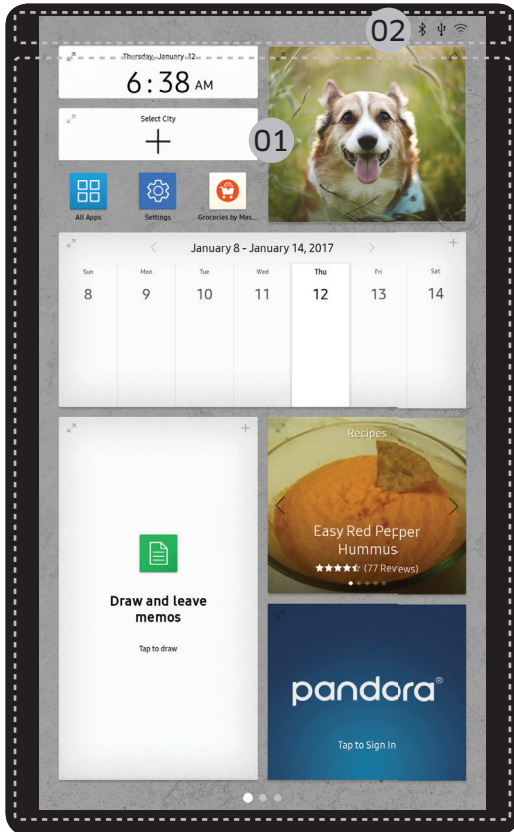
- For detailed information about the refrigerator's functions, and apps, see the on-screen user manual available on the LCD display of your refrigerator.
- The content of apps and widgets, or their design is subject to change. Support for apps and widgets may be discontinued without notice, depending on the content provider's policy.
- Underage transactions with the services must be supervised by adults.
- The PANDORA apps are only available in the United States.



01 Home screen
02 Task bar

Operations

01 Home screen



01 Apps & Widgets

- Tap a desired app or widget to launch it.
- Tap and hold an app or widget to enter Edit mode. A grid appears. In Edit mode, you can drag and drop an app or widget to a new position on the grid. When you move the app or widget to a new grid location, the location turns blue if it is available. If it is not available, it turns red.
- You can add an app or widget that has been removed from the All Apps list.

02 Status bar

- **Bluetooth** (⌘): Indicates Bluetooth connection status.
- **USB** (ψ): Indicates USB connection status.
- **Remote Management** (Ⓜ): Turns on when Remote Management is enabled and running.

NOTE

The refrigerator supports USB memory that is formatted in the FAT32 or exFAT file systems. NTFS is not supported. Be sure to convert NTFS to FAT32 or exFAT before use.

- **Network** (⊡): Indicates network connection status in 5 levels (Off, 1-4).

02 Task bar

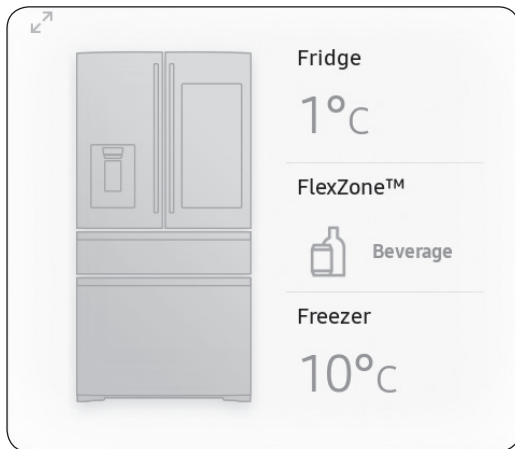


01 Microphone	Tap to turn on or off the voice recognition function. The microphone icon turns red when it is turned off.
02 Menu	Tap to display the menus available.
03 Home	<ul style="list-style-type: none">• Tap to open the Home screen.• Tap and hold to open the Task Manager. See the Task Manager section for details.
04 Return	Tap to return to the previous screen.
05 Notification	Tap to display the Quick Panel.

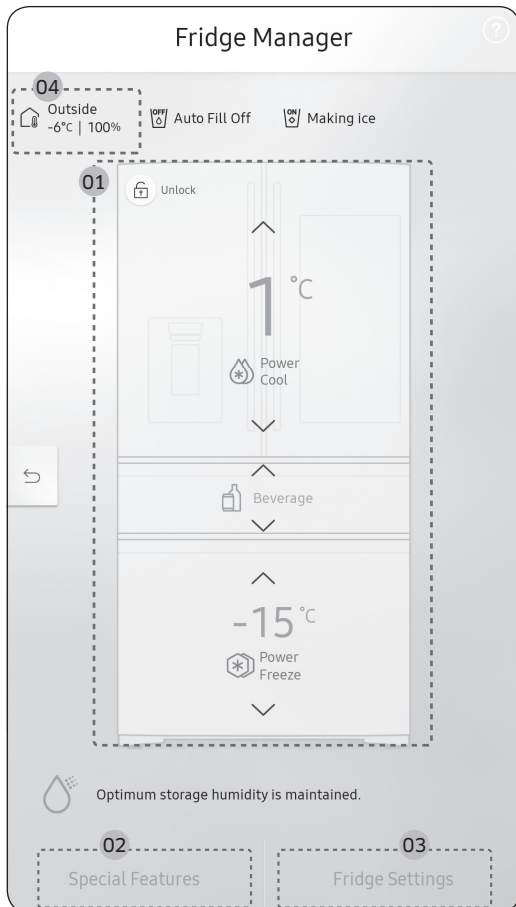
Operations

Fridge Manager

To access Fridge Manager, swipe the Home screen to the left, and then tap the **Fridge Manager** widget.



- On the Fridge Manager widget, the current fridge and freezer temperatures as well as active special functions are displayed.
- For detailed settings, tap the widget to open the Fridge Manager.



The Fridge Manager is a graphical representation of your refrigerator. The top half represents the refrigerator compartment, the bottom left the freezer compartment, and the bottom right the FlexZone. The temperature or mode settings for each are displayed over each section.

Fridge Manager At a Glance

01 Temperature

Change the set temperature in the fridge, freezer, and FlexZone. You can also turn on and turn off the refrigerator's Power Cool function and the freezer's Power Freeze function.

- Power Freeze speeds up the freezing process at maximum fan speed. The freezer keeps running at full speed for several hours and then returns to the previous temperature.
- To freeze large amounts of food, activate Power Freeze for at least 20 hours before putting food in the freezer.

NOTE

Using Power Freeze or Power Cool increases power consumption. Make sure you turn it off to return to the previous temperature if you do not intend to use it.

02 Special Features

View a short explanation of some of the refrigerator's special features.

03 Fridge Settings

Change many of the fridge's settings including settings for ice making, the door alarm, and the temperature units (°F or °C). See the next page for details.

04 External Conditions

Displays the external (ambient) temperature and humidity.

NOTE

The displayed conditions may differ from the actual temperature and humidity.

Operations

5. Auto Water Fill Status



Displays the status of the Auto Water Fill function.


6. Ice Maker Status

Displays the operation status of the Ice Maker.

NOTE

Also displayed is the **Ice Off** (ice making off) indicator at the top, center. When the indicator displays **Ice Off**, the refrigerator's ice maker is turned off.

Ice Maker	Turns the icemaker on and off. Tap and drag the button to turn on or off. Note that if the ice bucket is full of ice, the refrigerator will not start making ice when you drag the button to On. Instead, displays the Ice Making Off indicator on the main screen.
Auto Water Fill	Turns the Auto Water Fill function on and off. Tap and drag the button to turn on or off. Open the left door of the fridge, and then insert the water tank. Close the door. The water tank starts filling with water up to the max line some time later.  NOTE <ul style="list-style-type: none"> • By default, Auto Water Fill is disabled. Enable this function after you have installed the water line. • If you open the door or push the dispenser lever, this function is stopped temporarily. • While the water tank fills with water, the mood light on the dispenser panel stays lit.
Dispenser Lock	Turns the ice and water dispensers on and off. Tap and drag the button to turn on or off.
Door Alarm	The door alarm sounds if you leave the door open. Tap and drag the button to turn on or off.
Temp. Unit	Switch the temperature scale between Celsius and Fahrenheit. Touch °F or °C to change the scale.
Water Filter	Provides a water filter replacement tutorial and lets you reset the water filter replacement indicator. Tap to open.  NOTE After installing the water filter, tap Water Filter , and then tap RESET . Tapping RESET re-initializes the function that measures the time remaining until the water filter needs to be replaced again.
Self Check	Self Check is a self diagnoses function. Tap to open. Tap START to run.

Demand Response	Works with the Smart Grid energy saving manager. Tap to open. Tap and drag the button to turn on or off. See the Smart Grid section in this manual for more information.
Energy Saver	<p>Turns the Energy Saver mode on and off. Tap and drag the button to turn on or off. By default, the Energy Saver mode is enabled.</p> <p> NOTE</p> <p>If condensation or water drops form on or around the doors, turn the Energy Saver mode off.</p>
Cooling Off	<p>Cooling Off mode (also called Shop mode), is designed for use by retailers when they are displaying refrigerators on the shop floor.</p> <p>In Cooling Off mode, the refrigerator's fan motor and lights work normally, but the compressors do not run, and the refrigerator and freezer do not get cold. If Cooling Off is turned on, all cooling controls will turn to OFF on the Fridge Manager.</p> <p>Tap and drag the button to turn on or off.</p>

Operations

Settings

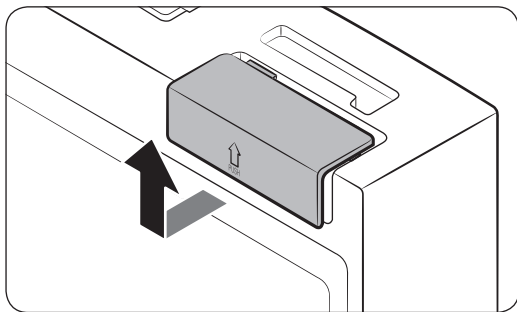
Display	<ul style="list-style-type: none"> You can set the screen brightness, wallpapers, auto wake-up, motion detector, and theme, duration and start time of the screen saver.
Sound	<ul style="list-style-type: none"> Set the volume and equalizer and turn on or turn off the touch sound.
Wi-Fi	<ul style="list-style-type: none"> Turn on or turn off a Wi-Fi connection. The current Wi-Fi network is listed first in the access point (AP) list.
Bluetooth	<ul style="list-style-type: none"> Up to 4 recently paired Bluetooth devices are listed. To add a new device when 4 paired devices are listed, first unpair a paired device from the device list. Available devices are Bluetooth-enabled headsets, headphones, and speakers.
Voice	<ul style="list-style-type: none"> Set language of the Voice function and turn on or turn off voice feedback and voice wakeup.
Profiles	<ul style="list-style-type: none"> You can add, edit, or delete a profile.
Parental Controls	<ul style="list-style-type: none"> Enable or disable restrictions on Family Hub features and apps.
Language	<ul style="list-style-type: none"> Select a preferred language. Available languages depend on the sales region.
Date and Time	<ul style="list-style-type: none"> Make sure the Auto update function is on with a proper Wi-Fi network connection. Open the fridge door and locate the display reset button on the inner side of the door. Press the button and press again to reset the display. Then, the date and time will be synced by the time server. You can change the time zone through the Time zone menu.
About Device	<ul style="list-style-type: none"> Make sure the Software Update function is on with a proper Wi-Fi network connection. When updates are available, the Update button becomes active. When updates are complete, the refrigerator restarts automatically. Legal information displays the Open Source License Agreement. Tap the list item to open the Open Source Announcement.
Easy Connection	<ul style="list-style-type: none"> Easy Connection can be used with Samsung Smartphone apps, and allows you to connect your device to the same home Wi-Fi network that your smartphone is connected to.

Device Authentication	<ul style="list-style-type: none"> • Device Authentication can be used with Samsung Smart TV apps where the privacy information on the refrigerator can be shared to the TV. • Availability of this function depends on the device model.
Clean screen mode	<ul style="list-style-type: none"> • Turn on so you can clean the screen without activating any apps.
Accessibility	<ul style="list-style-type: none"> • Set to turn on or off the screen reader function for blind and low-vision users.
Online Manual	<ul style="list-style-type: none"> • The online manual will walk you through various menus and apps that the refrigerator provides directly on the display.
Factory Reset	<ul style="list-style-type: none"> • Tap Reset to restart the refrigerator in Factory Data Reset mode. All user data will be removed permanently. Data that will be removed includes account information, memos, photos, and user settings. <p>⚠ CAUTION Once factory reset is complete, no user data can be recovered.</p>
Remote Management	<ul style="list-style-type: none"> • Use Remote Management to allow a service representative to remotely diagnose problems and provide solutions. • Remote Management requires a Wi-Fi connection. • The Remote Management menu does not appear on models that do not support Remote Management.

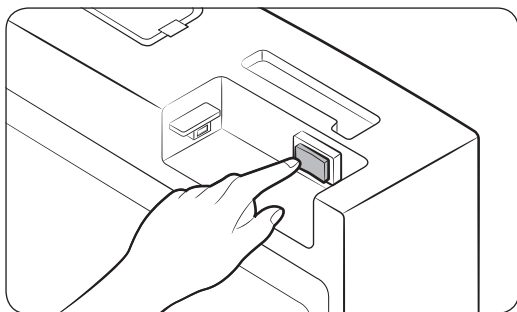
Operations

Display reset (applicable models only)

If the display is not working correctly, try resetting the display. This may resolve the problem.



1. Open the right-side fridge door and locate the switch cover on the top right corner of the door.
2. Push up the cover to reveal the power switch.



3. Turn the switch off, and then turn it on again.
4. Reinsert the switch cover to the end until you hear a clicking sound.

Samsung Smart Home

Installation

Visit the Google Play Store, Galaxy Apps, or Apple App Store and search for “Samsung Smart Home”. Download and install the Samsung Smart Home app provided by Samsung Electronics to your smart device.

NOTE

- The Samsung Smart Home app is designed for Android 4.0 (ICS) or higher, or iOS 8.0 or higher, and is optimized for Samsung smartphones (Galaxy S and Galaxy Note series).
- For improved performance, the Samsung Smart Home app is subject to change without notice or discontinued support according to the manufacturer’s policy.
- Recommended encryption systems include WPA/TKIP and WPA2/AES. Any newer or non-standard Wi-Fi authentication protocols are not supported.
- Wireless networks may be affected by the surrounding wireless communication environment.
- If your Internet service provider has registered the MAC address of your PC or modem for identification, your Samsung Smart Refrigerator may fail to connect to the Internet. If this happens, contact your Internet service provider for technical assistance.
- The firewall settings of your network system may prevent your Samsung Smart Refrigerator from accessing the Internet. Contact your Internet service provider for technical assistance. If this symptom continues, contact a local Samsung service center or retailer.
- To configure the wireless access point (AP) settings, see the user manual of the AP (router).
- Samsung Smart Refrigerators support both Wi-Fi 2.4 GHz with IEEE 802.11 b/g/n and Soft-AP protocols. (IEEE 802.11 n is recommended.)
- Unauthorized Wi-Fi wireless routers may fail to connect to applicable Samsung Smart Refrigerators.

Operations

Samsung account

You are required to register your Samsung account to use the app. If you don't have a Samsung account, follow the app's onscreen instructions to create a free Samsung account.

Getting started

1. Run the Samsung Smart Home app and log in with your Samsung account. iPhone users are required to provide the login information each time they access the app.
2. Select **Add Device** and then tap **Refrigerator**.
3. Follow the onscreen instructions to provide the necessary information about the router, and then tap **Next**.
4. On the display of the refrigerator, access **Settings**, and then select **Easy Connection**.
5. When device registration is complete, the refrigerator icon will appear on the Samsung Smart Home app.
6. Tap the refrigerator icon to open the refrigerator page.

Refrigerator app

Integrated control

You can monitor and control your refrigerator at home and on the go.

- Tap the **refrigerator** icon in Samsung Smart Home to open the Refrigerator page.
- Check the operation status or notifications related to your refrigerator, and then change options or settings if necessary.

NOTE

Some options or settings of the refrigerator may not be available for remote control.

Category	Item	Description
Monitoring	Fridge temperature	Displays the current temperature setting of the fridge.
	Freezer temperature	Displays the current temperature setting of the freezer.
	FlexZone™ settings	Displays the settings of the FlexZone™.
	Diagnosis	Detects abnormal operations of the refrigerator.
	Energy monitoring	Checks the accumulated power consumption of the refrigerator for the last 180 days.
Functions	Ice making	You can turn the ice making function on or off, and check the current settings of the function.
		You can also check the status and progress of ice making.
	Power Cool	You can turn Power Cool on or off, and check the current settings.
	Power Freeze	You can turn Power Freeze on or off, and check the current settings.
Alarms	Abnormally high temperature	This alarm is triggered when the fridge, the freezer, or the FlexZone™ has abnormally high temperatures.
	Door opening	This alarm is triggered if the fridge door, the freezer drawer, or the FlexZone™ drawer is open for a specific time.
	Auto Water Fill overflowing	If the Auto Water Fill function senses an overflow, it triggers this alarm to let you know the status of the overflow.
	Water filter replacement	This alarm reminds you that the water filter must be replaced.
View Inside		You can check the inner view of the refrigerator, and use different labels to register item-specific storage periods and keep track of them for managerial purposes.
Shopping List		You can create and edit a shopping list to your needs.

Operations

SMART GRID Function (Demand Response)

When the refrigerator operates in SMART GRID (Demand Response) mode, the Energy Management Refrigerator function can control energy usage or delay the operation of some functions to save money when energy prices or demand are the highest.

NOTE

- You can deactivate the SMART GRID (Demand Response) function at any time using the Override On/Off function.
- To use the SMART GRID (Demand Response) function, you need a separate contract with your electric utility company.

In addition, to use the Smart Grid (Demand Response) function, you must register for the service with your electric company. The company must have an EMS (Energy Management System) that supports SEP (Smart Energy profile).

Using the SMART GRID (Demand Response) Function

This feature monitors energy prices and demand information from your utility company and sends notifications to the refrigerator to run high energy consuming tasks during off-peak times when electricity costs and demand are lower.

If the refrigerator receives a control signal from the utility company, the refrigerator will display the **DAL** (L3) ~ **TALR** (L4) levels on the refrigerator display and control the power consumption according to the level.

Exception condition: The **DAL** and **TALR** control signals from a utility company work as long as product performance is maintained.

If the refrigerator receives the SMART GRID (Demand Response) signal (**DAL** or **TALR**), the refrigerator will operate in Delay Appliance Load or Temporary Appliance Load Reduction mode.

- Delay Appliance Load (L3): The refrigerator responds to a **DAL** signal by providing a moderate load reduction for the duration of the delay period. This function controls functions that consume a lot of energy such as adjusting the Cooling system, running the defrost cycle, and making ice.
 - **DAL** mode is automatically deactivated after it lasts for the amount of time stipulated by the **DAL** signal (max. 4.5 hours) or when the Override function is turned on.

-
- Temporary Appliance Load Reduction (L4): The refrigerator responds to a **TALR** signal by aggressively reducing the load for a short time period. This function reduces energy consumption by stopping the compressor and controlling the functions that consume a lot of energy such as the defrost cycle and making ice.
 - **TALR** (L4) mode is automatically deactivated after it lasts for the received duration (max. 15 minutes), or when the Override function is turned on. The mode is immediately deactivated and the refrigerator returns to the normal state when the door is opened or closed, or the dispenser is used.

To check the MAC address

1. Tap the **Settings** icon on the Home screen.
2. Scroll down to and open **About Device**.
3. The screen displays (among others) the Wi-Fi MAC address.

Override Mode

When you want the refrigerator to ignore the SMART GRID (Demand Response) signal from the utility company, you can activate **OVERRIDE** mode.

When you activate **OVERRIDE** mode, the refrigerator ignores the SMART GRID (Demand Response) signal and is not controlled by the utility company.

Activating and deactivating Override mode

1. Tap the **Fridge Manage** icon.
2. On the bottom of the Fridge Manager screen, tap the **Fridge Settings** icon.
3. Tap **Demand Response**.
4. Slide the **DAL/TALR override** button to the **ON** or **OFF** position.

NOTE

- Alternatively, you can activate or deactivate **OVERRIDE** mode using the Samsung Smart Home app and the Energy Management function. See the next page.

Operations

Using the Energy Management Function

The Energy Management function enables you to control and monitor your Energy Management refrigerator using the Smart Home app for your convenience.

NOTE

- To use the Energy Management refrigerator functions, you have to install the corresponding app first.
1. Operational Status
 - You can check the DR and Override status.
 2. Energy Consumption Reporting
 - Shows the accumulated power consumption. Power consumption data is updated every 5 minutes.

NOTE

The energy consumption report may differ from the power consumption specifications of the product depending on the operating environment and the quantity and type of stored food.

3. Delay Defrost Capability
 - The Delay Defrost Capability function saves energy by delaying the defrost operation to a time specified by the user. You can configure the time, and this function will save energy during the specified period in a 24 hour cycle. If the time is not set, the function works with the default time settings. The default time settings are below:
 - 6 am to 10 am: November 1st to April 30th.
 - 3 pm to 7 pm: May 1st to October 31st.

To change the time setting for the Delay Defrost Capability

You can change the time setting for the Delay Defrost Capability on the app.

Provision for Open Access to the Connected Product Requirements

1. SGIP Open Standards (Smart Energy Profile 2.0 - <http://www.csep.org/>)
 - Energy Consumption Reporting
 - Demand Response
2. Samsung OPEN API
 - Operational Status, User Settings & Messages
 - ICE Maker Status: GET /devices/0/fridge/iceMaker
 - Door Open Alarm: GET /devices/0/Door/openState
 - DR Status: GET /devices/0/drlc
 - Delay Defrost Capability
 - Set Schedule of the Defrost Delay: POST /devices/0/fridge/defrostreservations
 - Get Schedule of the Defrost Delay : GET /devices/0/fridge/defrostreservations
 - Delete Schedule of the Defrost Delay: DELETE /devices/0/fridge/defrostreservations/<<id>>
 - Defrost Delay On/OFF: PUT /devices/0/fridge

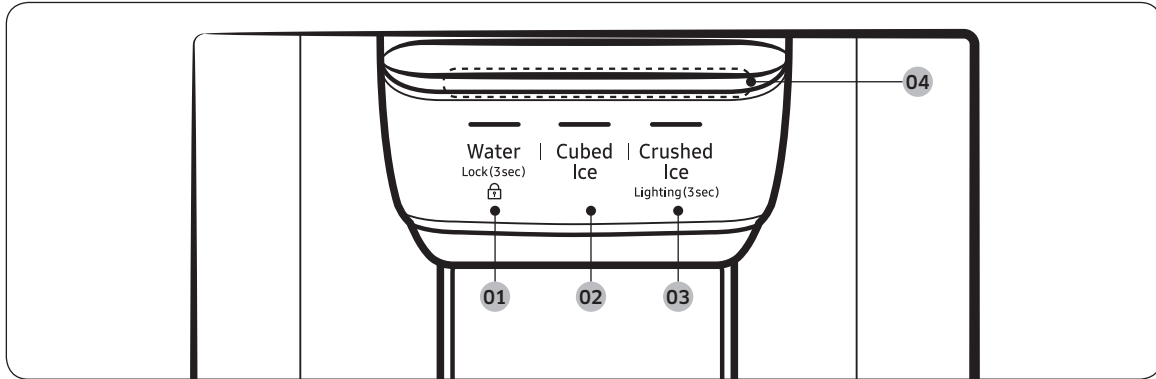
Operations

Recommendations for voice recognition

Around the 'MIC' marked area of the refrigerator's display is a built-in microphone.

- Speak loud and clear towards the built-in microphone within 1 m from the refrigerator's display.
- Voice recognition may not be triggered or enabled at distances over 1 m or with low voices.
- Speak clearly at a regular pace. Reduce ambient noises, such as from the living-room TV.

Dispenser panel



01 Water / Lock

02 Cubed Ice

03 Crushed Ice / Lighting

04 Dispenser mood light

01 Water / Lock (3 sec)

Water	To dispense chilled water, press Water . The corresponding indicator turns on.
Lock (Dispenser panel / Dispenser lever)	To prevent use of the dispenser panel buttons and the dispenser lever, press and hold Water for more than 3 seconds. If you press and hold the button again for more than 3 seconds, the dispenser lock will be deactivated.

02 Cubed Ice

Cubed Ice	Press Cubed Ice to dispense cubed ice. The corresponding indicator turns on.
-----------	---

Operations

03 Crushed Ice / Lighting (3 sec)

Crushed Ice	Press Crushed Ice to dispense crushed ice. The corresponding indicator turns on.
Lighting	By default, the dispenser lamp turns on only when the dispenser is used. To keep the dispenser lamp turning on, press and hold Crushed Ice for 3 seconds. To turn the lamp off, press and hold Crushed Ice for 3 seconds again.

04 Dispenser mood light

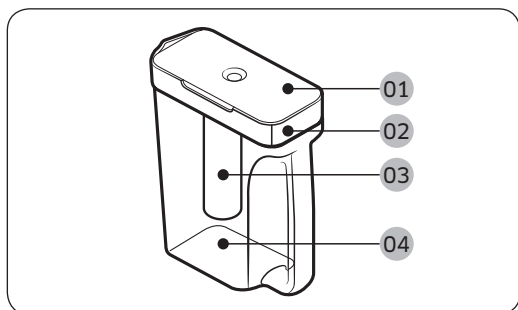
The **Dispenser mood light** lights up in the following conditions:

- When you push the dispenser lever with the dispenser lock disabled
 - Push the dispenser lever and the dispenser mood light turns on. Release the lever and the light turns off after a some time.
- While the water tank is being filled with water with the Auto Water Fill function turned on
 - The dispenser mood light stays lit.

Special features

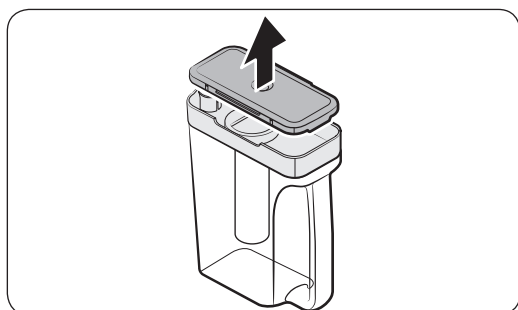
Water tank (Auto Water Fill)

The Auto Water Fill function lets you brew cold steeped ice tea in your refrigerator.

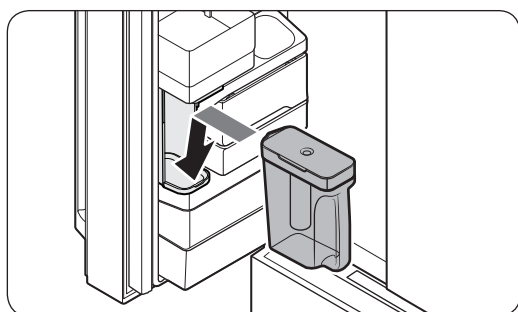


- 01 Lid
- 02 Sealed mouth
- 03 Infuser
- 04 Body

To fill the water tank



1. Grasp a handle groove of the **sealed mouth**, and then pull up to open the lid.
2. Insert tea leaves to your taste into the infuser.



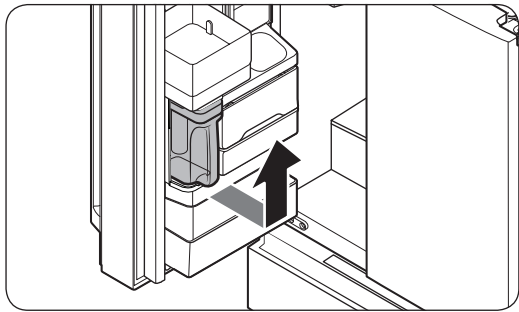
3. Enable the Auto Water Fill function on the main panel. Open the left door of the fridge door, and then mount the water tank onto the holder. Push it straight in as shown in the illustration on the left.

CAUTION

Make sure the infuser fits in the water tank holder.

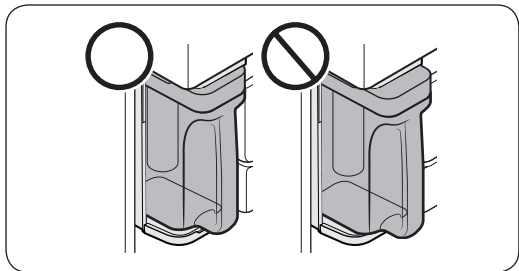
4. Close the door. The infuser will start to fill with chilled water some time later.

Operations

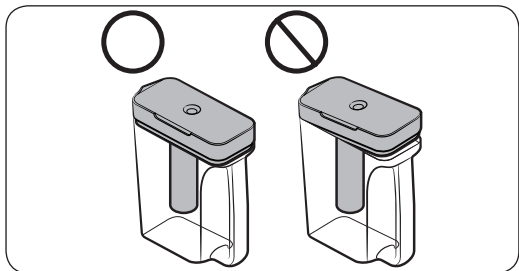


5. To dispense tea, open the door and detach the water tank. Pull it straight out.

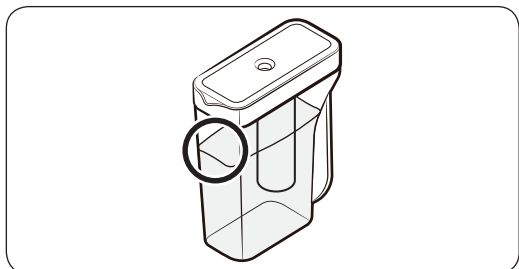
⚠ CAUTION



To prevent the water tank from tipping over or leaking, make sure the water tank fits in the water tank holder.

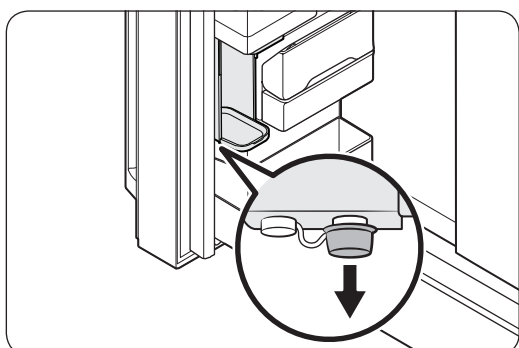


To prevent the water tank from spilling over or leaking, make sure the **sealed mouth** is properly inserted.



NOTE

- If the front side (specifically marked area) of the water tank has too much moisture, the water tank may not fully fill. Remove the moisture, and then try again.
- Auto Water Fill will stop supplying water for the water tank if the water tank does not fill after a certain amount of time. If this happens, check if the water line is properly connected. Remove and reinsert the water tank, and then try again.



NOTE

- Wipe around the infuser holder if the infuser overflows or leaks.
- Water drops off if the rubber cap is opened.
- If there is a leak, a warning message appears and "**Overflowing**" displays on the Auto Water Fill Status. In case of a leak, open the rubber cap to drain the water. The "Overflowing" status will then change. However, if the "Overflowing" status remains, there could be a system failure. Contact your local Samsung service center.

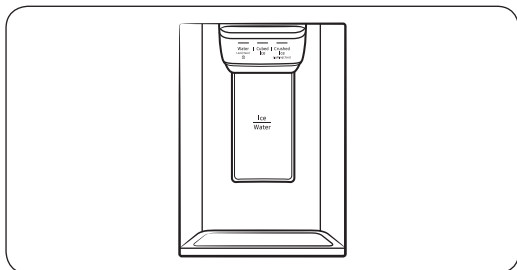
Water/Ice dispenser

Using the dispenser, you can dispense water with or without ice.

The water dispenser offers 3 options: chilled water, cubed ice, and crushed ice. To dispense chilled water, press **Water** on the dispenser panel. Put a water glass under the dispenser, and then push the dispenser lever.

Operations

To dispense water with ice



1. With the Ice Maker enabled, press **Cubed Ice** or **Crushed Ice** to select the ice type.
2. Put a water glass under the dispenser, and then push the **dispenser lever** with the glass. Ice will be dispensed from the dispenser.
3. Press **Water** to select water.
4. Push the **dispenser lever** with the glass. Water will be dispensed from the dispenser.

NOTE

- The dispenser will stop dispensing if you keep pushing the dispenser lever for about 1 minute. To dispense more water, release and push the lever again.
- Make sure the glass is in line with the dispenser to prevent the dispensed water from spilling out.
- If you do not use the water dispenser for 2-3 days, the dispensed water may have an abnormal smell or taste. This is not a system failure. Discard the first 1-2 glasses of water.

Ice maker

The refrigerator has a built-in ice maker that automatically dispenses ice so that you can enjoy filtered water with cubed or crushed ice.

Ice making

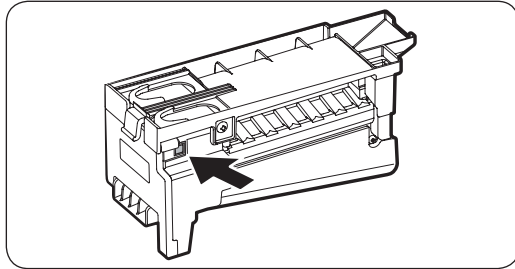
After you have installed your refrigerator and plugged it in, follow these instructions to ensure proper ice making and to keep the ice bucket full of ice:

1. Let the refrigerator operate for at least 24 hours to ensure optimal performance.
2. Dispense the first 4 to 6 ice cubes into a glass.
3. Wait another 8 hours and dispense another 4 to 6 ice cubes.
4. Then, wait another 16 hours and dispense the first glass-full of ice.

NOTE

- If you consume all the ice at once, you must wait 8 hours before dispensing the first 4 to 6 cubes. This ensures that the ice bucket is filled with ice properly.
- Ice cubes generated rapidly may look white, which is normal.

Diagnosis



If ice does not dispense, first check the ice maker.

1. Press **Test** on the side of the ice maker. You will hear a chime (ding-dong) when you press the button.
2. You will hear another chime if the ice maker is operating properly.

⚠ CAUTION

- If the ice making chime rings repeatedly, contact your waterline installer or a local Samsung service center.
- Do not press **Test** repeatedly after the ice tray is filled with ice or water. Water may overflow or ice may jam.
- Do not put food in the ice bucket. The frozen food may damage the ice maker, especially when you open or close the door.
- When the refrigerator recovers power after a power failure, the ice bucket may contain a mix of melted and jammed ice cubes, which can prevent the ice maker from working properly. To prevent this, make sure to empty the ice bucket so the ice bucket can refill with fresh, loose ice cubes.
- Do not put fingers or any objects into the dispenser outlet or the ice maker. This can cause physical injury or property damage.
- When reinserting the ice maker tray, make sure that the tray is properly centered at the entrance. Otherwise, the tray can get stuck.

If You Turn the Ice Maker Off

To turn the ice maker off, tap **Fridge Manager** > **Fridge Settings** > **Ice Making** on the Home screen, and then select **Off**. Make sure to empty the ice bucket. Remaining ice cubes may clump together, making it difficult to remove them.

To remove the ice bucket, see the **Ice bucket** section on page **61**.

📄 NOTE

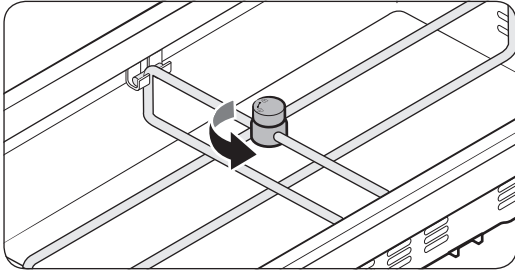
- Removal of the ice bucket does not affect the thermal and mechanical performance of the refrigerator.

Water clouding

Water supplied to the refrigerator flows through a core alkaline filter. During this filtering process, the water pressure of the water increases and the water becomes saturated with oxygen and nitrogen. This causes the water to look misty or cloudy temporarily when dispensed. This is normal and the water will look clear after a few seconds.

Operations

FlexZone™ divider



You can change the divider position. To do this, unlock the divider by turning the divider dial counter clockwise. Then, move the width and height bars as appropriate. When done, turn the dial clockwise to lock the divider.

NOTE

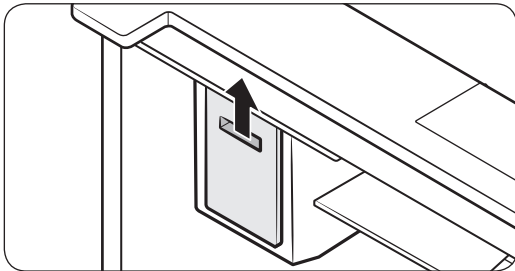
If the divider lock does not function, wipe the bars to remove moisture on them.

Maintenance

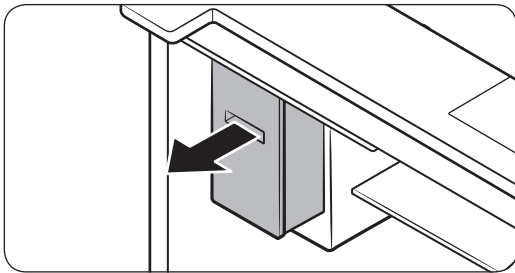
Handling and care

Ice bucket

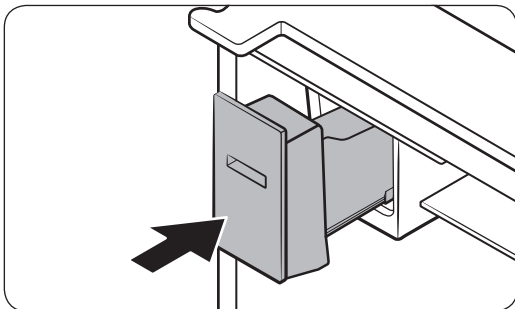
If you do not dispense ice for an extended period, ice may form clumps inside the bucket. If this happens, remove and empty the ice bucket.



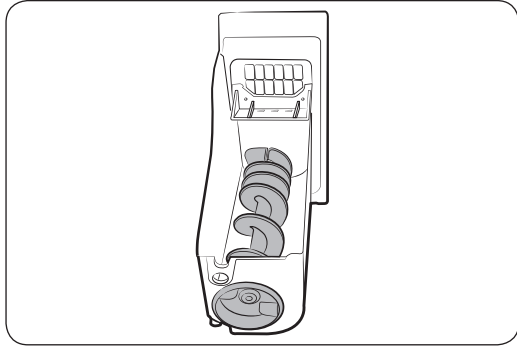
1. While grabbing the handle of the ice bucket, slightly lift up the bucket, and then remove it to the front.



2. Remove the remaining ice cubes and put the ice bucket back into place.



Maintenance



If the ice bucket is not firmly inserted, turn the ice screw 90 degrees, and then try again.

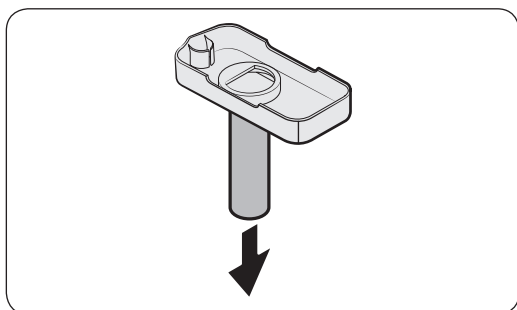
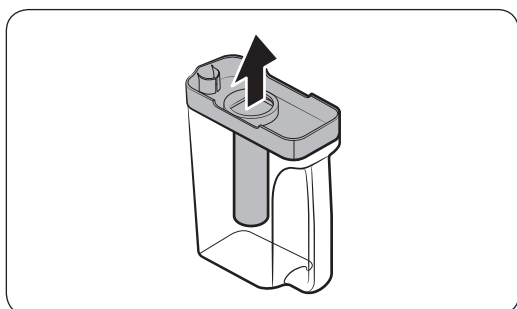
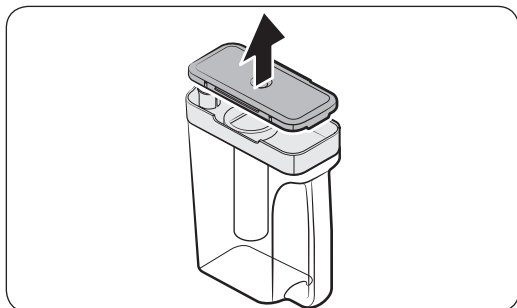
CAUTION

- Do not apply excessive force to the bucket cover. The cover may break.
- Do not forcefully close the door. Water may spill over the ice maker.
- To prevent injury, make sure to clean up any ice or water that has spilled on the floor.
- To prevent accidents or injury, do not let children play with the water dispenser or the ice maker.
- Do not put your hand or an object into the ice chute. This may cause physical injury or product damage.
- Use only the provided ice bucket. Third-party ice buckets may cause a system failure.
- Use only potable water that is connected to the water supply line.

NOTE

- The water pressure required for ice making is between 20 psi and 125 psi.
- Noise from the ice maker as it produces ice during the ice making process is normal.
- While the door is open, neither the ice maker nor the water dispenser operates.

Auto Water Fill



1. Grasp a handle groove of the **sealed mouth**, and then pull up to remove.

2. Grasp both sides of the **sealed mouth**, and then lift to remove.

3. While slightly twisting the **infuser**, pull it out of the sealed mouth.

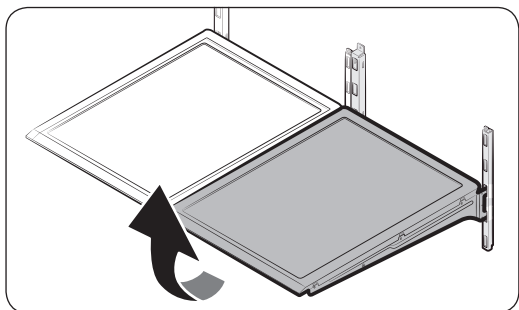
4. Clean the **infuser** with neutral agents and running water. Rinse and dry well.

5. Reassemble the Auto Water Fill in the reverse order of disassembly.

Maintenance

Fridge shelves

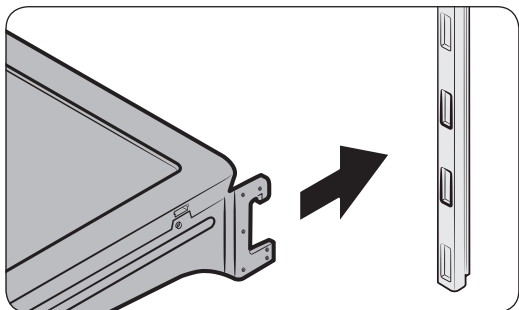
The appearance of the shelves differs by model.



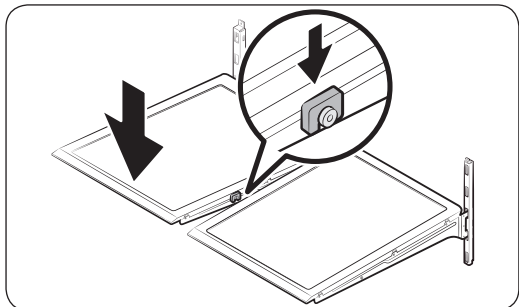
- To remove a shelf, fully open the corresponding door. Hold the front of the shelf, and then gently lift up and slide out.

NOTE

Do not lift up the shelf fully when removing or reinserting the shelf. The rear wall of the fridge room can be dented.



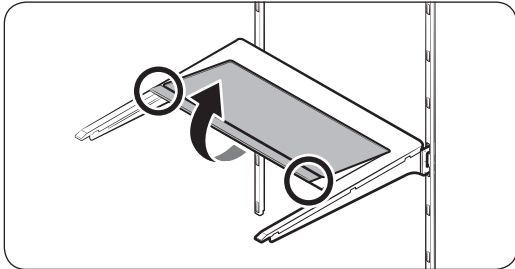
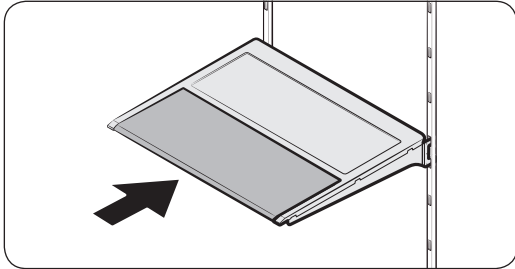
- To reinsert, hold the shelf at an angle so the front is higher than the back, and then insert the top hook into the top shelf notch. Then, lower the shelf and insert the bottom shelf hook into the bottom shelf notch.



CAUTION

- The tempered glass shelves are heavy. Use caution when removing them.
- The shelf must be inserted correctly. Do not insert upside down.
- Glass containers may scratch the surface of glass shelves.

Foldable shelf

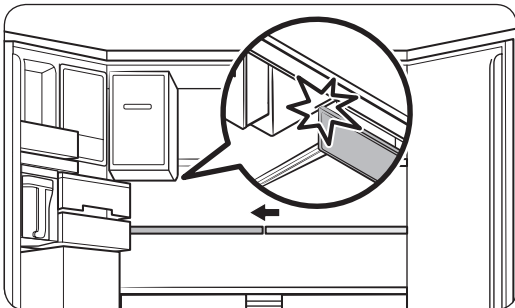


To remove, slide up the front of the shelf so that it folds. Then gently lift up and pull out. To reinsert, place the shelf on the angled frame in the main unit, and then, press down to unfold.

⚠ CAUTION

After sliding the foldable shelf in and folding it, the front of the shelf can be removed for your convenience. If you use the shelf without removing the front of the shelf, be aware that it can separate from the rear portion, be careful of its possible separation.

Recommended foldable shelf location



The foldable shelf folds up from the center, giving you more room for storage.

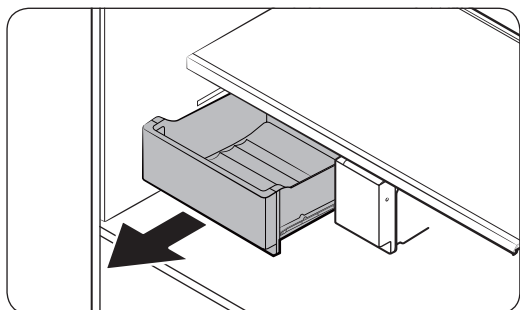
- Insert the shelf in the right side of the fridge. Left side insertion does not allow the shelf to fold completely.
- To fold, push the front area of the shelf inward so that it folds up from the middle.

⚠ CAUTION

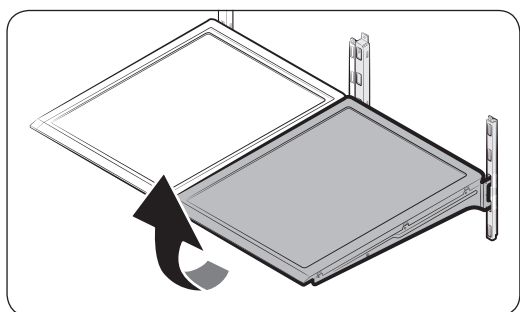
Do not lift up quickly or twist the foldable shelf to take out food under it. It may fall off.

Maintenance

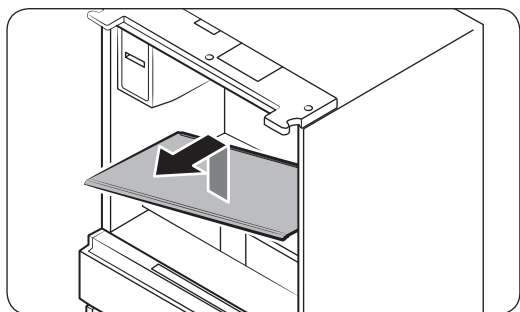
Vegetable shelf



1. Slide out the left-side vegetable drawer.



2. Fully open the door, and then remove the shelf.



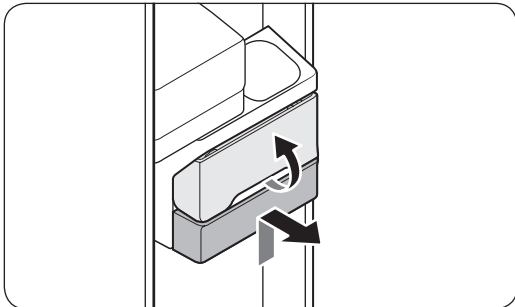
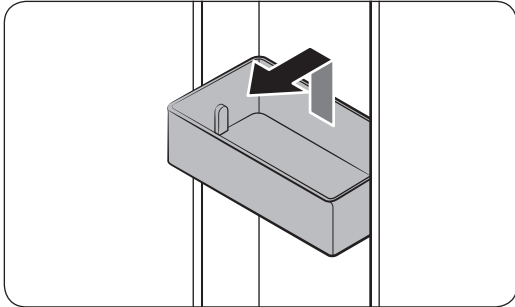
3. While supporting the vegetable shelf with one hand, slide it out with the other hand.

NOTE

To use the space that is opened up after removing the foldable shelf, take out the vegetable shelf.

To reinsert, follow the steps above in the reverse order.

Door bins



- To remove the top **door bin**, hold the front sides of the bin, and then gently lift up to remove.
- To reinsert, insert the **door bin** slightly above its final location making sure that the back of the bin is against the door. Hold the rear of the **door bin** with both hands, and then press down so that it fits snugly.

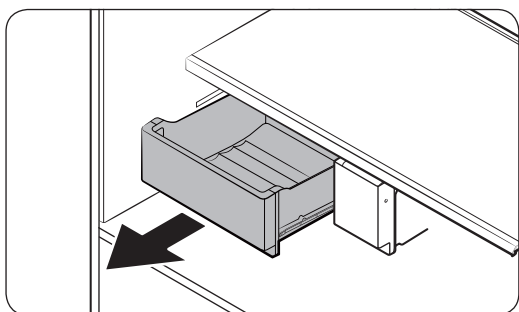
CAUTION

- Do not remove a bin that is filled with food. Empty the bin beforehand.
- Use caution when opening the door if the bottom bin contains larger bottles, which may fall over.
- Do not allow children to play with the bins. Sharp corners of the bin may cause injury.

Maintenance

Fridge drawers

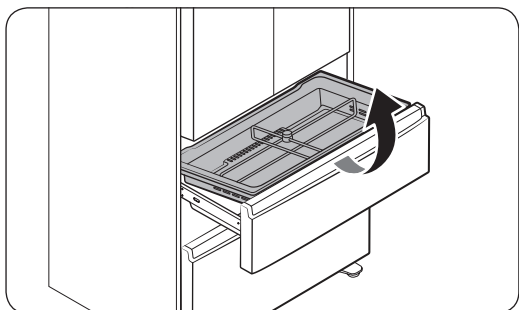
Vegetable / fruit drawers



Gently lift up the front of the drawer and slide out.

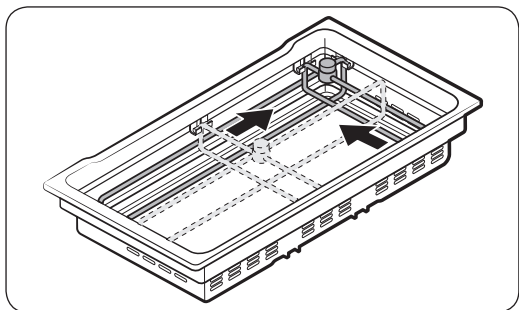
- We recommend that you remove the door bins before removing the drawer. This is to prevent damage to the door bins.
- To reinsert, insert the drawer into the frame rails and then slide inward.

FlexZone™ basket

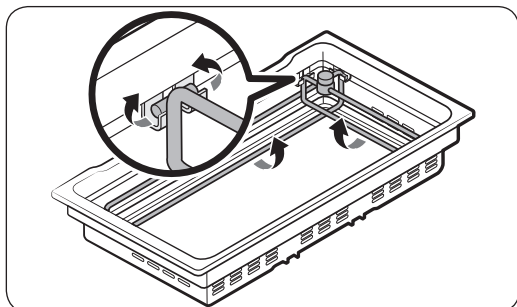


- To remove, fully open the FlexZone™ drawer. Lift up the FlexZone™ basket, and then pull out with both hands.
- To reinsert, fully open the FlexZone™ drawer. While tilting up the front of the basket, insert the rear of the basket into the rail assembly. Lower the front until the basket settles down.
- If the divider lock does not function, wipe the bars to remove moisture on them.

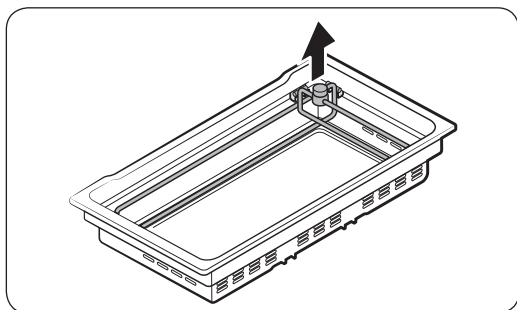
To remove the divider and the metal cooling plate (applicable models only) from the FlexZone™ basket



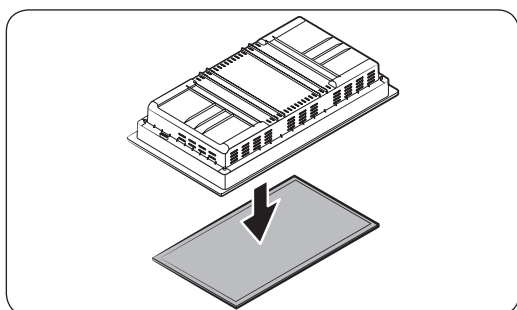
1. Slide the divider to the end as shown.



2. As the divider has the width and length bars, push the lower part of each bar inward to unlock. See the figures for details.



3. Hold the divider and pull up to remove.



4. Turn over the basket to remove the metal cooling plate.

! CAUTION

The basket and the metal cooling plate are heavy. Use caution when handling them. Careless handling may cause personal injury or property damage.

To reinsert the metal cooling plate

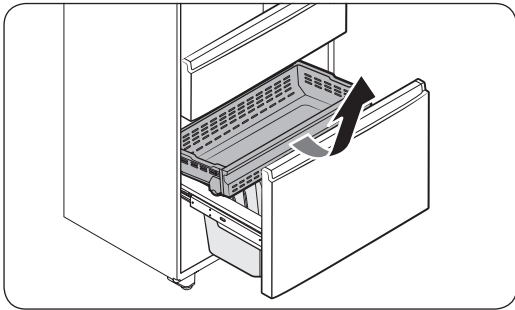
Reinsertion in the reverse order of removal.

Reinsert the divider into the FlexZone™ basket firmly until you hear a clicking sound.

Maintenance

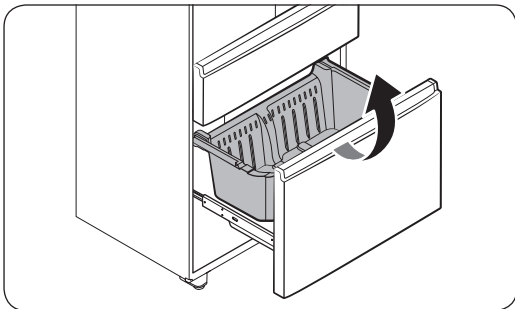
Freezer baskets

Upper basket



- To remove, fully slide open the freezer drawer. Push the **upper basket** to the end, and then pull up to remove.
- To reinsert, align the front wheels of the **upper basket** with the end of the **lower basket**. Slide the **upper basket** to the front.

Lower basket



- To remove, first remove the **upper basket**. Then, tilt up the front of the **lower basket** to pull out.
- To reinsert, put the basket into the **rail assembly** with the rear side first.

CAUTION

- Do not twist the basket when removing or reinserting the basket. The basket can be scratched.
- To prevent physical injury, property damage, or suffocation, keep children away from freezer baskets that have been removed.
- Do not remove the divider.
- Put the wheels of the upper basket on the end of the rails of the lower basket. Then, slide the upper basket all the way to the front. Otherwise, the drawer does not open or close properly, which causes frost to build up.

Cleaning

Interior and exterior

WARNING

- Do not use benzene, thinner, home/car detergent, or Clorox™ to clean the refrigerator. They may damage the surface of the refrigerator and cause a fire.
- Do not spray water onto the refrigerator. This may cause electric shock.

Regularly use a dry cloth to remove all foreign substances such as dust or water from the power plug terminals and contact points.

1. Unplug the power cord.
2. Use a moistened, soft, lint-free cloth or paper towel to clean the refrigerator's interior and exterior.
3. When done, use a dry cloth or paper towel to dry well.
4. Plug in the power cord.

Ice / Water dispenser

CAUTION

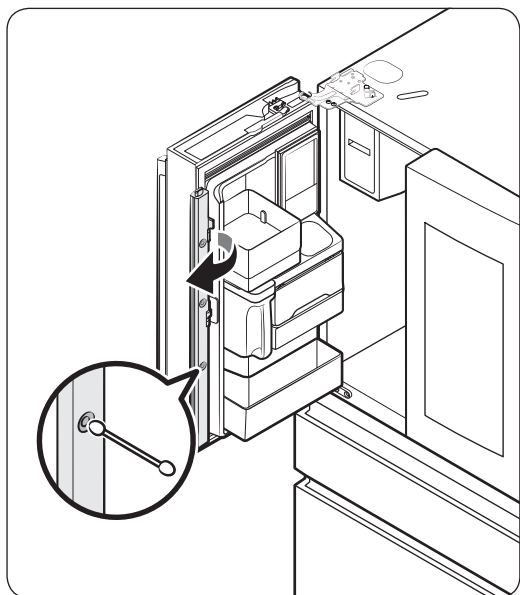
When crushed ice is selected, some residual ice chips may collect in the ice chute. To prevent this, remove the residual ice from the chute using a soft, clean cloth.

Rubber seals

If the rubber seals of a door become dirty, the door may not close properly and reducing refrigerator performance and efficiency. Use a mild detergent and damp cloth to clean the rubber seals. Then, dry well with a cloth.

Maintenance

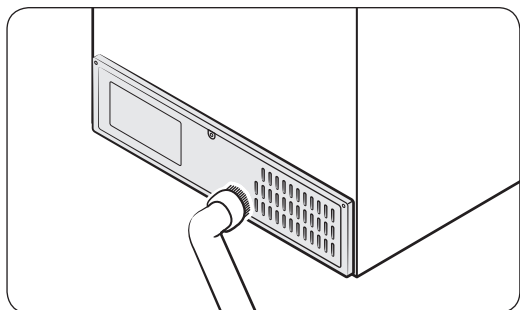
Inner-view camera



NOTE

Use a cotton swab or microfiber cloth to clean the camera on the left-side door of the fridge.

Rear panel



To keep cords and exposed parts of the rear panel free of dirt, vacuum the panel once or twice a year.

CAUTION


Do not remove the rear panel cover. Electric shock may occur.

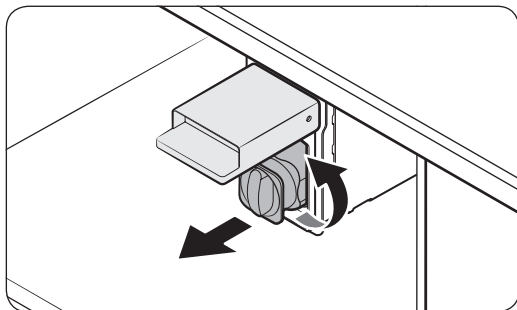
Replacement

Water filter

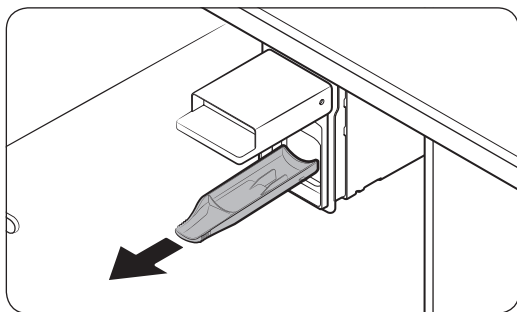
WARNING

- Do not use third-party water filters. Use only Samsung-provided or -approved filters.
- Unapproved filters may leak and damage the refrigerator, causing electric shock. Samsung is not responsible for any damage that may occur from use of third-party water filters.

The Filter Reset indicator () turns red to let you know it is time to replace the water filter. Before replacing the filter, make sure the water supply line is shut off.



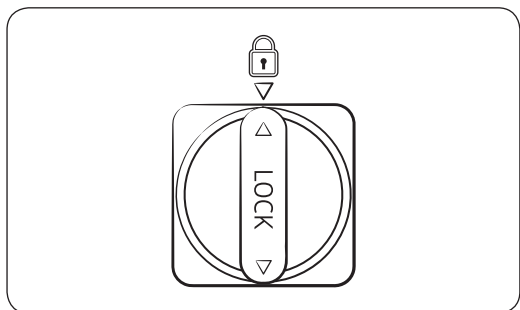
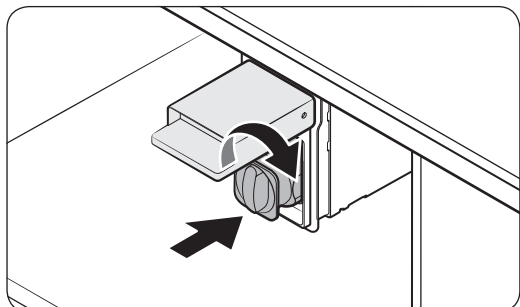
1. While opening the filter cover, turn the knob of the filter cartridge counter clockwise by 90 degrees ($\frac{1}{4}$ turn). The filter cartridge unlocks.
2. Pull out to remove the cartridge.
 - If the water filter is severely contaminated, the cartridge may not be easily removable. In that case, use force to pull it out.
 - To prevent water leaks from the opening, pull the cartridge straight out while removing it.



NOTE

To prevent overflow, empty and dry the water filter tray.

Maintenance



3. Insert a new filter cartridge. Use only Samsung-provided or approved filters.
4. Turn the cartridge knob clockwise to lock into place.
5. On the Home screen, tap **Fridge Manager** > **Fridge Settings** > **Water Filter**, and then select **RESET**. The filter indicator turns off.
6. When you are done replacing the filter, open the water valve and run water through the dispenser for about 7 minutes. This is to remove impurities and air from the water line.

NOTE

- A newly installed filter may cause the water dispenser to spurt water briefly. This is because air has entered the waterline.
- The replacement process may cause the water dispenser to drip for a short period of time. If it drips, simply wipe up any water on the floor with a dry towel.

Reverse osmosis water filtration system

The water pressure of the water supply system to a reverse osmosis water filtration system must be between 35 psi and 120 psi (241 kPa and 827 kPa).

The water pressure of the reverse osmosis water filtration system to the refrigerator's cold water line must be at least 40 psi (276 kPa). If the water pressure is below these specifications:

- Check if the sediment filter in the reverse osmosis system is blocked. Replace the filter if necessary.
- Refill the water tank in the reverse osmosis system with water.
- If your refrigerator has a water filter, it may further reduce the water pressure when used in conjunction with a reverse osmosis system. Remove the water filter.

For more information or servicing, contact a licensed plumbing professional.

Ordering a new filter

To purchase a new water filter, contact a local Samsung service center or visit the web site (www.samsungparts.com).

LED Lamps

To replace the lamps of the refrigerator, contact a local Samsung service center.

WARNING

- The lamps are not user-serviceable. Do not attempt to replace a lamp yourself. This can cause electric shock.

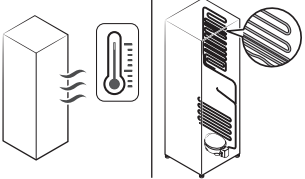
Troubleshooting

Before calling for service, review the checkpoints below. Any service calls regarding normal situations (No Defect Cases) will be charged to users.

General

Temperature

Symptom	Possible causes	Solution
Fridge/freezer does not operate. Fridge/freezer temperature is warm.	<ul style="list-style-type: none"> Power cord is not plugged in properly. 	<ul style="list-style-type: none"> Properly plug in the power cord.
	<ul style="list-style-type: none"> Temperature control is not set correctly. 	<ul style="list-style-type: none"> Set the temperature lower.
	<ul style="list-style-type: none"> Refrigerator is located near a heat source or direct sunlight. 	<ul style="list-style-type: none"> Keep the refrigerator away from direct sunlight or a heat source.
	<ul style="list-style-type: none"> Not enough clearance between refrigerator and nearby walls or cabinets. 	<ul style="list-style-type: none"> Make sure there is a gap of at least 2.5 inches (5 cm) between the refrigerator back and sides and any nearby walls or cabinets.
	<ul style="list-style-type: none"> Energy monitoring mode is activated. 	<ul style="list-style-type: none"> Deactivate Energy monitoring mode.
	<ul style="list-style-type: none"> The refrigerator is overloaded. Food is blocking the refrigerator vents. 	<ul style="list-style-type: none"> Do not overload the refrigerator. Do not allow food to block vents.
Fridge/freezer is over-cooling.	<ul style="list-style-type: none"> Temperature control is not set correctly. 	<ul style="list-style-type: none"> Set the temperature higher.

Symptom	Possible causes	Solution
Interior wall is hot.	<ul style="list-style-type: none"> Refrigerator has heat-proof piping in the interior wall. 	<ul style="list-style-type: none"> To prevent condensation from forming, the refrigerator has heat-proof piping in the front corners. If the ambient temperature rises, this equipment may not work effectively. This is not a system failure. 

Odors

Symptom	Possible causes	Solution
Refrigerator has odors.	<ul style="list-style-type: none"> Spoiled food. 	<ul style="list-style-type: none"> Clean the refrigerator and remove any spoiled food.
	<ul style="list-style-type: none"> Food with strong odors. 	<ul style="list-style-type: none"> Make sure strong smelling food is wrapped airtight.

Frost

Symptom	Possible causes	Solution
Frost around the vents.	<ul style="list-style-type: none"> Food is blocking the vents. 	<ul style="list-style-type: none"> Make sure no food blocks the refrigerator vents.
Frost on interior walls.	<ul style="list-style-type: none"> Door is not closed properly. 	<ul style="list-style-type: none"> Make sure food does not block the door. Clean the door gasket.
Fruits or vegetables are frozen.	<ul style="list-style-type: none"> Fruits or vegetables are stored in the FlexZone. 	<ul style="list-style-type: none"> Do not store most kinds of fruit or vegetables in the FlexZone.

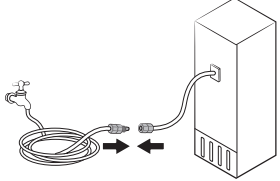
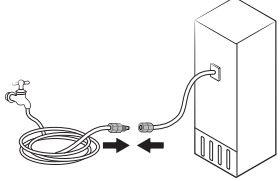
Troubleshooting

Condensation

Symptom	Possible causes	Solution
Condensation forms on the interior walls.	<ul style="list-style-type: none"> If door is left open, moisture enters the refrigerator. 	<ul style="list-style-type: none"> Remove the moisture and do not leave a door open for extended periods of time.
	<ul style="list-style-type: none"> Food with high moisture content. 	<ul style="list-style-type: none"> Make sure food is wrapped airtight.

Water/ice (dispenser models only)

Symptom	Possible causes	Solution
Water flow is weaker than normal.	<ul style="list-style-type: none"> Water pressure is too low. 	<ul style="list-style-type: none"> Make sure the water pressure is between 20 to 120 psi.
Ice maker makes a buzzing sound.	<ul style="list-style-type: none"> The ice maker function is activated, but the water supply to the refrigerator has not been connected. 	<ul style="list-style-type: none"> Check if the Ice Off indicator is lit. If it is, activate the Ice Maker function so that the Ice Off indicator turns off. See Fridge Setting for details.
Ice maker does not make ice.	<ul style="list-style-type: none"> Ice maker has just been installed. 	<ul style="list-style-type: none"> You must wait for 12 hours for the refrigerator to make ice.
	<ul style="list-style-type: none"> Freezer temperature is too high. 	<ul style="list-style-type: none"> Set the freezer temperature below 0 °F (-18 °C) or -4 °F (-20 °C) in warm ambient air.
	<ul style="list-style-type: none"> Dispenser panel Lock is activated. 	<ul style="list-style-type: none"> Deactivate dispenser panel Lock.
	<ul style="list-style-type: none"> Ice maker is off. 	<ul style="list-style-type: none"> Turn on the ice maker.

Symptom	Possible causes	Solution
Ice does not dispense.	<ul style="list-style-type: none"> Ice may jam if the ice dispenser is not used for a long time (approx. 3 weeks). 	<ul style="list-style-type: none"> If you won't be using the refrigerator for a long time, empty the ice bucket and turn off the ice maker.
	<ul style="list-style-type: none"> Ice bucket is not properly inserted. 	<ul style="list-style-type: none"> Make sure the ice bucket is properly inserted.
	<ul style="list-style-type: none"> Water line is not connected properly or water supply is not on. 	<ul style="list-style-type: none"> Check if the water line is installed correctly. Check if the water line stop cock is closed. 
Water does not dispense.	<ul style="list-style-type: none"> Water line is not connected properly or water supply is not on. 	<ul style="list-style-type: none"> Check if the water line is installed correctly. Check if the water line stop cock is closed. 
	<ul style="list-style-type: none"> Dispenser panel Lock is activated. 	<ul style="list-style-type: none"> Deactivate dispenser panel Lock.
	<ul style="list-style-type: none"> A third-party water filter was installed. 	<ul style="list-style-type: none"> Use only Samsung-provided or approved filters. Unapproved filters may leak and damage the refrigerator.
	<ul style="list-style-type: none"> Water filter indicator turns on or blinks. 	<ul style="list-style-type: none"> Replace the water filter. After replacing, reset the filter indicator sensor.

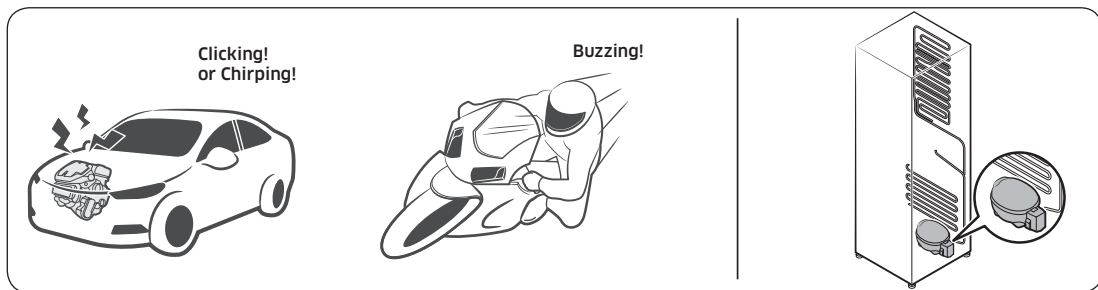
Troubleshooting

Do you hear abnormal sounds from the refrigerator?

Before calling for service, review the checkpoints below. Any service calls related to normal sounds will be charged to the user.

These sounds are normal.

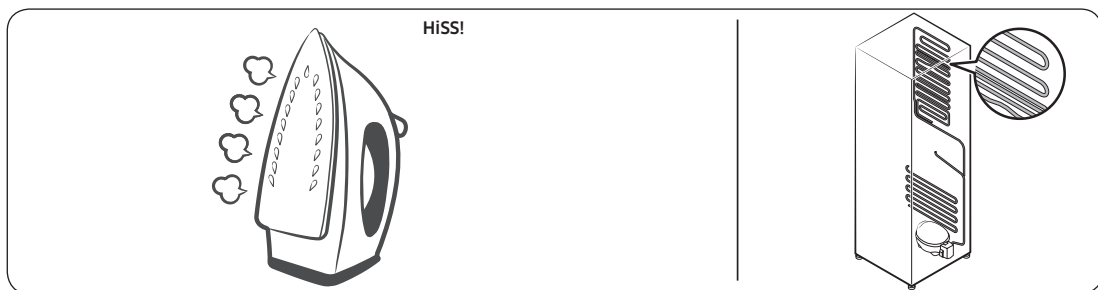
- When starting or ending an operation, the refrigerator may make sounds similar to a car engine ignition. As the operation stabilizes, the sounds will decrease.



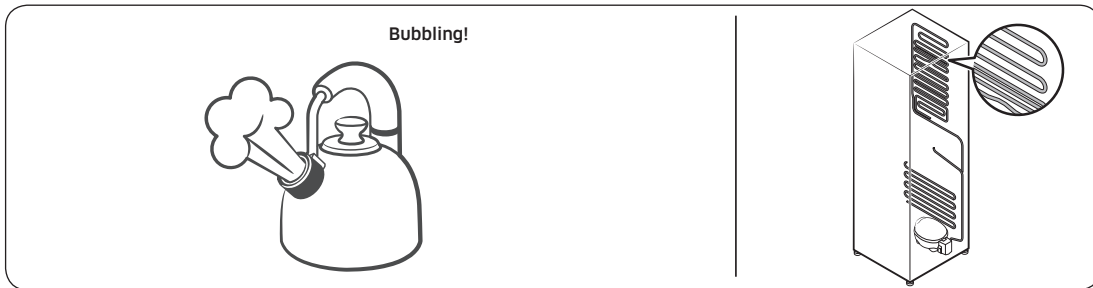
- While the fan is operating, these sounds may occur. When the refrigerator reaches the set temperature, the fan sound will stop.



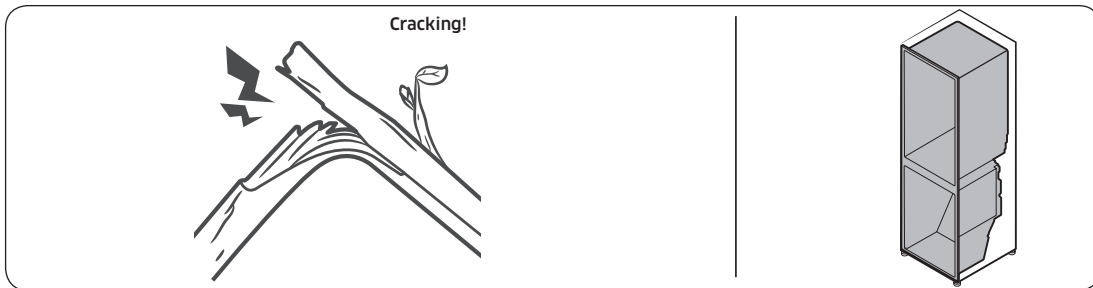
- During a defrost cycle, water may drip on the defrost heater, causing sizzling sounds.



- As the refrigerator cools or freezes, refrigerant gas moves through sealed pipes, causing bubbling sounds.



- As the refrigerator temperature increases or decreases, plastic parts contract and expand, creating knocking noises. These noises occur during the defrosting cycle or when electronic parts are working.



- For ice maker models: When the water valve opens to fill the ice maker, buzzing sounds may occur.
- Due to pressure equalizing when you open and close the refrigerator door, whooshing sounds may occur.

Troubleshooting

Samsung Smart Home

Symptom	Action
Could not find “Samsung Smart Home” in the app market.	<ul style="list-style-type: none">The Samsung Smart Home app is available for smartphones that run Android 4.0 (ICS) or higher, or iOS 8.0 or higher.
The Samsung Smart Home app fails to operate.	<ul style="list-style-type: none">The Samsung Smart Home app is available for applicable models only.The old Samsung Smart Refrigerator app cannot connect with Samsung Smart Home models.
The Samsung Smart Home app is installed but is not connected to my refrigerator.	<ul style="list-style-type: none">You must log into your Samsung account to use the app.Make sure that your router is operating normally.If you have not connected your refrigerator to the Samsung Smart Home App after the app was installed, you must make the connection using the device registration function of the app.
Could not log into the app.	<ul style="list-style-type: none">You must log into your Samsung account to use the app.If you don't have a Samsung account, follow the app's onscreen instructions to create one.
An error message appears when I try to register my refrigerator.	<ul style="list-style-type: none">Easy Connection may fail due to the distance from your access point (AP) or electrical interference from the surrounding environment. Wait a moment and try again.
The Samsung Smart Home app is successfully connected to my refrigerator but does not run.	<ul style="list-style-type: none">Exit and restart the Samsung Smart Home app or disconnect and reconnect the router.Unplug the power cord of the refrigerator, and then plug it in again after 1 minute.

Smart Grid

Symptom	Action
What Do I Need to use the Energy Management and Smart Grid functions?	<p>To use the Smart Grid (Demand Response) and Energy Management functions on your refrigerator, you need the following:</p> <p>Devices</p> <ul style="list-style-type: none"> • A wireless access point (router) • A Samsung Energy Management-supported refrigerator • A smartphone <p>Registration</p> <ul style="list-style-type: none"> • Connect your refrigerator to your home Wi-Fi network. • Register for the EMS service with your electric company. Your electric company must have an EMS (Energy Management System) supporting SEP (Smart Energy profile). <p>App</p> <ul style="list-style-type: none"> • Download the Samsung Smart Home app from the Google Play Store, Apple App Store, or Samsung Galaxy Apps. • Install and run the Samsung Smart Home app on your smartphone.
Why isn't the Energy Management function working normally?	<ul style="list-style-type: none"> • Make sure that your home router is operating normally with proper Internet service and connection. • Make sure that the refrigerator is connected to the AP (router). <p>Checkpoints</p> <ul style="list-style-type: none"> • Connect your smartphone to the router (AP, Access Point), and then check if you can browse the Internet on the smartphone.
Why isn't the Delay Defrost Capability working normally?	<ul style="list-style-type: none"> • Make sure that your home router is operating normally with proper Internet service and connection.

Troubleshooting

LCD

Symptom	Action
Cannot connect to my TV.	<ul style="list-style-type: none">• This refrigerator can connect only with Samsung Smart TV 6400 series or higher models released since 2015. Please check the model name of your TV first.• Network connections may suffer temporary interruptions. Turn your TV off, and then try again.
The inner view picture looks bulged out or incomplete.	<ul style="list-style-type: none">• The edges of the inner view may look bulged out. The bulging is caused by the convex lens of the camera.• The inner view may be incomplete due to the blind spots on the left and right corners or screened depending on the layout of food items. Make sure to place food items in the front center.
The displayed measurement on the Fridge Manager is not correct.	<ul style="list-style-type: none">• The displayed conditions may differ from the actual temperature and humidity.

Warranty (USA)

WARRANTY ON SAMSUNG REFRIGERATOR

LIMITED WARRANTY TO ORIGINAL PURCHASER

This Samsung brand product, as supplied and distributed by Samsung Electronics America, Inc. (Samsung) and delivered new, in the original carton to the original consumer purchaser, is warranted by Samsung against manufacturing defects in materials and workmanship for a limited warranty period of:

One (1) year Parts and Labor on Refrigerator

Five (5) years Parts and Labor on sealed Refrigeration system only*

Ten (10) years Parts and Five (5) years Labor on Digital Inverter Compressor

(*Compressor, evaporator, condenser, drier, connecting tubing)

This limited warranty begins on the original date of purchase, and is valid only on products purchased and used in the United States. To receive warranty service, the purchaser must contact Samsung for problem determination and service procedures. Warranty service can only be performed by a Samsung authorized service center. The original dated bill of sale must be presented upon request as proof of purchase to Samsung or Samsung authorized service center.

Samsung will repair or replace any part found to be defective, at our option and at no charge as stipulated herein, with new or reconditioned parts during the limited warranty period specified above. All replaced parts and products become the property of Samsung and must be returned to Samsung. Replacement parts and products assume the remaining original warranty, or ninety (90) days, whichever is longer.

In-home service will be provided during the warranty labor period subject to availability within the contiguous United States. In-home service is not available in all areas. To receive in-home service, the product must be unobstructed and accessible from floor level to service personnel. If during in-home service repair cannot be completed, it may be necessary to remove, repair and return the product. If in-home service is unavailable, Samsung may elect, at our option, to provide for transportation of our choice to and from a Samsung authorized service center. Otherwise, transportation to and from the Samsung authorized service center is the responsibility of the purchaser.

Warranty (USA)

This limited warranty covers manufacturing defects in materials and workmanship encountered in normal, noncommercial use of this product, and shall not apply to the following, including, but not limited to: damage which occurs in shipment; delivery and installation; applications and uses for which this product was not intended; altered product or serial numbers; cosmetic damage or exterior finish; accidents, abuse, neglect, fire, water, lightning or other acts of nature; use of products, equipment, systems, utilities, services, parts, supplies, accessories, applications, installations, repairs, external plumbing and leaks, external wiring, circuit breakers, fuses or connectors not supplied and authorized by Samsung, or which damage this product or result in service problems; incorrect electrical line voltage, fluctuations and surges; customer adjustments and failure to follow operating instructions, cleaning, maintenance and environmental instructions that are covered and prescribed in the instruction book; loss of food due to spoilage; consumable items including filters and light.

THERE ARE NO EXPRESS WARRANTIES OTHER THAN THOSE LISTED AND DESCRIBED ABOVE, AND NO WARRANTIES WHETHER EXPRESS OR IMPLIED, INCLUDING, BUT NOT LIMITED TO, ANY IMPLIED WARRANTIES OF MERCHANTABILITY OR FITNESS FOR A PARTICULAR PURPOSE, SHALL APPLY AFTER THE EXPRESS WARRANTY PERIODS STATED ABOVE, AND NO OTHER EXPRESS WARRANTY OR GUARANTY GIVEN BY ANY PERSON, FIRM OR CORPORATION WITH RESPECT TO THIS PRODUCT SHALL BE BINDING ON SAMSUNG. SAMSUNG SHALL NOT BE LIABLE FOR LOSS OF REVENUE OR PROFITS, FAILURE TO REALIZE SAVINGS OR OTHER BENEFITS, OR ANY OTHER SPECIAL, INCIDENTAL OR CONSEQUENTIAL DAMAGES CAUSED BY THE USE, MISUSE OR INABILITY TO USE THIS PRODUCT, REGARDLESS OF THE LEGAL THEORY ON WHICH THE CLAIM IS BASED, AND EVEN IF SAMSUNG HAS BEEN ADVISED OF THE POSSIBILITY OF SUCH DAMAGES. NOR SHALL RECOVERY OF ANY KIND AGAINST SAMSUNG BE GREATER IN AMOUNT THAN THE PURCHASE PRICE OF THE PRODUCT SOLD BY SAMSUNG AND CAUSING THE ALLEGED DAMAGE. WITHOUT LIMITING THE FOREGOING, PURCHASER ASSUMES ALL RISK AND LIABILITY FOR LOSS, DAMAGE OR INJURY TO PURCHASER AND PURCHASER'S PROPERTY AND TO OTHERS AND THEIR PROPERTY ARISING OUT OF THE USE, MISUSE OR INABILITY TO USE THIS PRODUCT SOLD BY SAMSUNG NOT CAUSED DIRECTLY BY THE NEGLIGENCE OF SAMSUNG. THIS LIMITED WARRANTY SHALL NOT EXTEND TO ANYONE OTHER THAN THE ORIGINAL PURCHASER OF THIS PRODUCT, IS NONTRANSFERABLE AND STATES YOUR EXCLUSIVE REMEDY.

Some states do not allow limitations on how long an implied warranty lasts, or the exclusion or limitation of incidental or consequential damages, so the above limitations or exclusions may not apply to you. This warranty gives you specific legal rights, and you may also have other rights, which vary from state to state. To obtain warranty service, please contact Samsung at:

SAMSUNG CUSTOMER CARE CENTER

Samsung Electronics America, Inc.

85 Challenger Road

Ridgefield Park, NJ 07660

1-800-SAMSUNG (726-7864)

www.samsung.com/us/support



Scan the QR code* or visit
www.samsung.com/spsn
to view our helpful
How-to Videos and Live Shows

* Requires reader to be installed on your
smartphone

Scan this with your smartphone

Contact SAMSUNG WORLD WIDE

If you have any questions or comments relating to Samsung products, please contact the SAMSUNG Customer Care Center.

Country	Contact Center	Web Site
U.S.A	1-800-SAMSUNG (726-7864) 1-844-SAM-PAYS (726-7297)	www.samsung.com/us/support
CANADA	1-800-SAMSUNG (726-7864)	www.samsung.com/ca/support (English) www.samsung.com/ca_fr/support (French)



DA68-03563D-00



Refrigerador

Manual del usuario

Electrodoméstico independiente

SAMSUNG

Contenido

Información sobre seguridad	3
Símbolos y advertencias de seguridad importantes:	4
Advertencia sobre la State of California Proposition 65 (solo EE.UU.)	4
Señales de advertencia importantes para el transporte y el emplazamiento	4
Advertencias muy importantes para la instalación	5
Precauciones para la instalación	7
Advertencias muy importantes para el uso	7
Precauciones de uso	11
Precauciones para la limpieza	12
Advertencias muy importantes para la eliminación de residuos	13
1. Aviso regulatorio	14
Instalación	16
Descripción breve del refrigerador	16
Instalación paso a paso	18
Funcionamiento	34
Interfaz del usuario	34
Samsung Smart Home	44
Función SMART GRID (respuesta a la demanda)	47
Recomendaciones relativas al reconocimiento de voz	51
Panel del dispensador	52
Funciones especiales	54
Mantenimiento	60
Manipulación y cuidado	60
Limpieza	70
Reemplazo	72
Solución de problemas	75
General	75
¿Se oyen ruidos anómalos procedentes del refrigerador?	80
Samsung Smart Home	82
Smart Grid	83
LCD	84
Garantía (USA)	85
GARANTÍA DEL REFRIGERADOR SAMSUNG	85

Información sobre seguridad

- Antes de utilizar su nuevo refrigerador Samsung, lea detenidamente este manual a fin de aprender a usar las funciones que ofrece de manera segura y eficiente.
- Este electrodoméstico no debe ser utilizado por personas (incluidos niños) con capacidades mentales, sensoriales o físicas reducidas o por personas que carezcan de experiencia y conocimientos, a menos que se encuentren bajo la supervisión o hayan recibido instrucciones de un responsable de su seguridad sobre el uso del refrigerador.
- Debido a que las siguientes instrucciones corresponden a diversos modelos, es posible que las características de su refrigerador difieran ligeramente de las que se describen en este manual.
- Si tiene alguna duda, comuníquese al 1-800-SAMSUNG o encuentre ayuda e información en línea en www.samsung.com.
- Se utiliza R-600a o R-134a como refrigerante. Mire la etiqueta del compresor en la parte posterior del electrodoméstico o la etiqueta de voltaje dentro del refrigerador para constatar qué refrigerante fue utilizado en su refrigerador. Si este producto contiene gas inflamable (Refrigerante R-600a), comuníquese con las autoridades locales para desechar este producto en forma segura.
- Es peligroso que una persona que no sea un técnico de servicio autorizado realice tareas de reparación en este aparato.
- Para evitar la creación de una mezcla de gas-aire inflamable en caso de una pérdida en el circuito del refrigerante, el tamaño del lugar en el que se coloca el refrigerador depende de la cantidad de refrigerante utilizado.
- Nunca debe poner en marcha un electrodoméstico que presente signos de haber sido dañado. Si tiene alguna inquietud, consulte a su distribuidor. El lugar debe tener 35.3 pies³ por cada 8 g de refrigerante R-600a en el electrodoméstico.
La cantidad de refrigerante específica de su electrodoméstico consta en la placa de identificación que se encuentra en el interior.
- La ubicación de instalación no debe estar expuesta a la luz solar directa ni cerca de ningún electrodoméstico o fuente de calor, tales como estufas, hornos u hornillas, radiadores, etc.
- Si coloca dos productos uno junto al otro, por razones de seguridad, asegúrese de utilizar productos certificados en atmósferas de gas explosivas.
- Si el refrigerante sale por los tubos, este podría incendiarse o dañar los ojos. Si hay pérdida de refrigerante del tubo, manténgalo alejado de las llamas, aparte cualquier material inflamable del producto y ventile la habitación inmediatamente.
 - No seguir esta recomendación puede causar riesgos de incendio o explosión.



Información sobre seguridad

Símbolos y advertencias de seguridad importantes:

Sírvase seguir todas las instrucciones de seguridad del presente manual. En el presente manual se utilizan los siguientes símbolos de seguridad.

ADVERTENCIA

Riesgos o prácticas inseguras que pueden causar **graves lesiones personales, daños a la propiedad y/o incluso la muerte.**

PRECAUCIÓN

Riesgos o prácticas inseguras que pueden causar **lesiones personales leves y/o daños materiales.**

NOTA

Información útil que ayuda a los usuarios a comprender u obtener beneficios del refrigerador.

Estas señales de advertencia se incluyen aquí para evitar que usted o terceros sufran lesiones.

Sígalas atentamente.

Después de leer esta sección, consérvela en un lugar seguro para referencia futura.

Advertencia sobre la State of California Proposition 65 (solo EE.UU.)

ADVERTENCIA : Este producto contiene productos químicos reconocidos en el estado de California como capaces de provocar cáncer y defectos de nacimiento u otras afecciones reproductivas.

Señales de advertencia importantes para el transporte y el emplazamiento

ADVERTENCIA

- Al transportar e instalar el electrodoméstico deberá tener cuidado de no dañar ninguna de las piezas del circuito del refrigerante.
 - La pérdida de refrigerante del tubo podría incendiarse o dañar los ojos. Si se detecta una fuga, manténgalo alejado de las llamas o de posibles fuentes de inflamación y ventíle durante varios minutos el ambiente en el que se encuentra la unidad.
 - El electrodoméstico contiene una pequeña cantidad de refrigerante de isobutano (R-600a), un gas natural con alta compatibilidad ambiental, no obstante también inflamable. Al transportar e instalar el electrodoméstico deberá tener cuidado de no dañar ninguna de las piezas del circuito del refrigerante.





Advertencias muy importantes para la instalación

ADVERTENCIA

- No instale el refrigerador en un lugar húmedo o donde pueda entrar en contacto con agua.
 - El aislamiento deficiente de las piezas eléctricas puede provocar una descarga eléctrica o un incendio.
- No exponga este refrigerador a la luz solar directa ni al calor de estufas, calefactores u otros electrodomésticos.
- No enchufe varios electrodomésticos en la misma toma múltiple. El refrigerador debe conectarse siempre a un tomacorriente individual cuyo voltaje nominal coincida con el que se especifica en la placa de voltaje del refrigerador.
 - De esta manera se obtiene el mejor desempeño y también se evita que se sobrecarguen los circuitos del cableado de la casa, lo que podría sobrecalentar los cables y provocar un riesgo de incendio.
- Si el tomacorriente está flojo, no conecte el enchufe.
 - Existe el riesgo de que se produzca una descarga eléctrica o un incendio.
- No utilice un cable de alimentación que esté dañado o gastado en su extensión o en cualquiera de los extremos.
- No doble excesivamente el cable de alimentación ni coloque objetos pesados sobre él.
- No tire del cable de alimentación ni lo doble excesivamente.
- No retuerza ni amarre el cable de alimentación.
- No coloque el cable de alimentación sobre un objeto metálico; no coloque sobre él ningún objeto pesado; no lo coloque entre objetos ni lo empuje hacia el espacio que hay detrás del electrodoméstico.
- Al mover el refrigerador, tenga cuidado de no enroscar ni dañar el cable de alimentación.
 - Esto podría causar una descarga eléctrica o un incendio.
- Nunca desenchufe el refrigerador jalando el cable de alimentación. Siempre sostenga el enchufe con firmeza y jale para extraerlo del tomacorriente.
 - Los daños al cable pueden provocar un cortocircuito, un incendio o una descarga eléctrica.
- No almacene sustancias explosivas como latas de aerosoles con gases propelentes inflamables en este electrodoméstico.
- No instale este electrodoméstico cerca de calefactores o materiales inflamables.
- No instale este electrodoméstico en un lugar donde pueda haber fugas de gas.
 - Esto podría causar una descarga eléctrica o un incendio.
- Antes de usarse, el refrigerador debe ubicarse e instalarse de manera apropiada de acuerdo con las instrucciones de este manual.
- Conecte el enchufe en la posición correcta con el cable colgando hacia abajo.
 - Si conecta el enchufe al revés, el cable puede cortarse y provocar un incendio o una descarga eléctrica.





Información sobre seguridad

- Asegúrese de que el enchufe no esté aplastado ni haya sido dañado por la parte posterior del refrigerador.
- Mantenga los materiales de empaque fuera del alcance de los niños.
 - Existe el riesgo de muerte por asfixia si un niño se coloca los materiales de empaque en la cabeza.
- El electrodoméstico debe colocarse de manera tal que se pueda acceder al enchufe después de la instalación.
 - No seguir esta recomendación puede causar una descarga eléctrica o un incendio debido a una fuga de electricidad.
- No instale este electrodoméstico en un lugar húmedo, engrasado o sucio, o en un sitio con exposición directa al sol o al agua (lluvia).
 - El aislamiento deficiente de las piezas eléctricas puede provocar una descarga eléctrica o un incendio.
- Si ingresaran grandes cantidades de polvo o agua al refrigerador, desenchufe el cable de alimentación y comuníquese con un Centro de Servicio de Samsung Electronics.
 - Si no lo hace, existe el riesgo de que se produzca un incendio.
- No se pare sobre el electrodoméstico ni le coloque objetos encima (tales como ropa, velas o cigarrillos encendidos, platos, productos químicos, objetos metálicos, etc.).
 - Esto podría causar una descarga eléctrica, un incendio, problemas con el producto o lesiones.
- Es necesario quitar toda la película plástica protectora antes de enchufar el producto por primera vez.
- Se deberá vigilar a los niños para asegurarse de que no jueguen con los anillos elásticos utilizados para el ajuste de la puerta o con las grapas del tubo de agua.
 - Existe riesgo de muerte por asfixia si un niño se traga un anillo elástico o una grapa del tubo de agua. Mantenga los anillos elásticos y las grapas del tubo de agua fuera del alcance de los niños.
- El refrigerador debe estar conectado a tierra de manera segura.
 - Siempre asegúrese de haber conectado el refrigerador a tierra antes de intentar examinar o reparar alguna pieza. Las fugas de energía pueden provocar una descarga eléctrica grave.
- Nunca utilice como conexión a tierra tubos de gas, líneas telefónicas ni otras posibles fuentes de atracción de rayos.
 - El refrigerador debe estar conectado a tierra para evitar cualquier fuga de energía o descarga eléctrica provocada por fugas de corriente del refrigerador.
 - La fuga de corriente podría causar descargas eléctricas, incendios, explosiones o problemas con el producto.
 - El uso inapropiado de la conexión a tierra puede traer como consecuencia un riesgo de descarga eléctrica. Si necesita usar un cable de extensión, use solo uno de tres hilos con un enchufe que tenga una tercera punta para el polo a tierra; la toma de corriente deberá tener 3 ranuras para adaptarse al enchufe del electrodoméstico. La potencia indicada en el cable de extensión debe ser CA 115-120 V, 10 A o superior. Si se utiliza un adaptador de tierra, asegúrese de que el receptáculo esté conectado correctamente a tierra.



- Conecte bien el enchufe a la toma de pared. No utilice enchufes o cables de alimentación dañados ni enchufes de pared flojos.
 - Esto podría causar una descarga eléctrica o un incendio.
- Si el cable de alimentación está dañado, solicite su reemplazo de inmediato al fabricante o a uno de los agentes de servicio técnico.
- Únicamente un técnico calificado o compañía de reparaciones debe estar autorizado para cambiar el fusible del refrigerador.
 - No seguir esta recomendación, podría causar una descarga eléctrica o lesiones.

Precauciones para la instalación

PRECAUCIÓN

- Deje espacio suficiente alrededor del refrigerador e instálelo sobre una superficie plana.
 - Mantenga libre de obstáculos el espacio de ventilación en el gabinete o la estructura de montaje del electrodoméstico.
- Una vez que haya instalado el refrigerador y lo haya encendido, permita que funcione durante 2 horas antes de cargarlo con alimentos.
- Se recomienda que el refrigerador sea instalado por un técnico calificado o una compañía de servicios.
 - No seguir esta recomendación puede causar descargas eléctricas, incendios, explosiones, problemas con el producto o lesiones.
- Sobrecargar una de las puertas puede ocasionar la caída del refrigerador y provocar lesiones personales.

Advertencias muy importantes para el uso

ADVERTENCIA

- No conecte el enchufe en un tomacorriente con las manos mojadas.
 - Esto podría causar una descarga eléctrica.
- No coloque objetos en la parte superior de la unidad.
 - Cada vez que abra o cierre la puerta, estos podrían caerse y provocar lesiones personales o daños materiales.
- No coloque las manos, los pies ni objetos metálicos (tales como palillos chinos, etc.) en la parte inferior o posterior del refrigerador.
 - Esto podría causar una descarga eléctrica o lesiones personales.
 - Algunos bordes filosos podrían provocar lesiones personales.



Información sobre seguridad

- No toque las paredes internas del congelador ni los productos almacenados en este con las manos mojadas.
 - Esto puede provocar quemaduras por frío.
- No coloque un recipiente con agua sobre el refrigerador.
 - Si se derrama, existe el riesgo de que se produzca un incendio o una descarga eléctrica.
- No almacene sustancias u objetos volátiles o inflamables (benceno, solvente, gas propano, alcohol, éter, gas LP ni cualquier otro producto de este tipo) en el refrigerador.
 - Este refrigerador se debe utilizar solo para almacenar alimentos.
 - Esto podría causar un incendio o una explosión.
- Se deberá vigilar a los niños para asegurarse de que no jueguen con el electrodoméstico.
 - Aleje los dedos de los puntos de agarre. Los espacios entre las puertas y el gabinete son inevitablemente pequeños. Abra las puertas con cuidado si hay niños cerca.
- No permita que los niños se cuelguen de la puerta ni de los compartimientos de la puerta. Pueden producirse lesiones graves.
- No permita que los niños ingresen al refrigerador. Podrían quedar atrapados.
- No coloque las manos debajo del electrodoméstico.
 - Es posible que algunas puntas filosas le provoquen lesiones.
- No almacene en el refrigerador productos farmacéuticos, materiales científicos ni productos sensibles a la temperatura.
 - No se deben almacenar productos que requieran controles estrictos de temperatura.
- No coloque ni utilice aparatos eléctricos dentro del refrigerador/congelador, a menos que sean del tipo recomendado por el fabricante.
- En caso de sentir olor a humo, desconecte el enchufe de inmediato y comuníquese con un Centro de Servicio de Samsung Electronics.
- Si ingresaran grandes cantidades de polvo o agua al refrigerador, desenchufe el cable de alimentación y comuníquese con el Centro de Servicio de Samsung Electronics.
 - Si no lo hace, existe el riesgo de que se produzca un incendio.
- No permita que los niños se paren sobre un cajón.
 - El cajón se puede romper y los niños pueden caerse.
- No deje las puertas del refrigerador abiertas si el refrigerador no está siendo vigilado y no permita que los niños ingresen en el refrigerador.
- No permita que los bebés ni los niños ingresen al cajón.
 - Esto puede provocar muerte por asfixia debido al encierro o lesiones personales.
- No sobrecargue el refrigerador con comida.
 - Cuando abra la puerta, algún elemento podría caerse y provocar lesiones personales o daños materiales.
- No pulverice material volátil, tal como un insecticida, sobre la superficie del electrodoméstico.
 - Además de ser perjudicial para los seres humanos, puede causar una descarga eléctrica, un incendio o problemas con el producto.



- Nunca coloque los dedos ni otros objetos en el orificio del dispensador de agua, en el recipiente de hielo o en la cubeta de la fábrica de hielo.
 - Esto puede provocar lesiones personales o daños materiales.
- No utilice ni coloque ninguna sustancia sensible a la temperatura, tales como pulverizadores inflamables, objetos inflamables, hielo seco, medicamentos o productos químicos, cerca o dentro del refrigerador.
- No utilice un secador de cabello para secar el interior del refrigerador. No coloque velas encendidas en el refrigerador para eliminar los malos olores.
 - Esto podría causar una descarga eléctrica o un incendio.
- Llene el tanque de agua y la charola para el hielo solamente con agua potable (agua de la llave, agua mineral o agua purificada).
 - No llene el tanque con té, jugo ni bebidas isotónicas. Pueden dañar el refrigerador.
- No se pare sobre el electrodoméstico ni le coloque objetos encima (tales como ropa, velas o cigarrillos encendidos, platos, productos químicos, objetos metálicos, etc.). Esto podría causar una descarga eléctrica, un incendio, problemas con el producto o lesiones. No coloque un recipiente con agua sobre el electrodoméstico.
 - Si se derrama, existe el riesgo de que se produzca un incendio o una descarga eléctrica.
- No utilice dispositivos mecánicos ni cualquier otro medio para acelerar el proceso de descongelamiento que no sean aquellos recomendados por el fabricante.
- No dañe el circuito del refrigerante.
- No mire fijamente la lámpara LED UV durante mucho tiempo.
 - Los rayos ultravioletas podrían dañarle la visión.
- No coloque el estante del refrigerador al revés. El tope del estante no funcionará.
 - El estante de vidrio puede caerse y provocar lesiones.
- Aleje los dedos de los puntos de agarre. Los espacios entre las puertas y el gabinete son inevitablemente pequeños. Abra las puertas con cuidado si hay niños cerca.
- Si se detecta una fuga de gas, evite las llamas o posibles fuentes de ignición y ventile durante varios minutos la habitación en la que se encuentra el electrodoméstico.
 - No toque el electrodoméstico ni el cable de alimentación.
 - No utilice un ventilador.
 - Una chispa puede provocar una explosión o un incendio.
- Utilice solamente lámparas LED proporcionadas por el fabricante o sus agentes de servicio técnico.
- Las botellas se deben almacenar una junto a otra de manera tal que no se tumben ni se caigan.
- Este producto se debe utilizar solo para almacenar alimentos en un entorno doméstico.
- Nunca coloque los dedos ni otros objetos en el orificio del dispensador de agua, en el recipiente de hielo o en la cubeta de la fábrica de hielo.
 - Puede provocar lesiones personales o daños materiales.

Información sobre seguridad

- No intente reparar, desensamblar ni modificar el refrigerador por su cuenta.
 - Las modificaciones que no han sido autorizadas pueden provocar problemas de seguridad. Para revertir una modificación no autorizada, cobraremos el costo completo de las piezas y mano de obra.
- No utilice ningún fusible (tales como los de alambres de acero, de cobre, etc.) que no sea un fusible estándar.
- Si es necesario reparar o volver a instalar el refrigerador, comuníquese con su Centro de Servicio Samsung más cercano.
 - No seguir esta recomendación puede causar una descarga eléctrica, un incendio, problemas con el producto o lesiones.
- Si la lámpara LED interior o exterior se ha apagado, comuníquese con el Centro de Servicio más cercano.
- En caso de sentir olor a quemado o a humo en el refrigerador, desenchúfelo de inmediato y comuníquese con un Centro de Servicio Samsung.
 - No seguir esta recomendación podría causar una descarga eléctrica o un incendio.
- Desenchufe el refrigerador antes de cambiar las lámparas internas.
 - Si no lo hace, existe el riesgo de que se produzca una descarga eléctrica.
- Si le resulta difícil cambiar una luz que no sea de LED, comuníquese con un Centro de Servicio de Samsung.
- Si el producto cuenta con lámparas LED, no desensamble las cubiertas de la lámpara y las lámparas LED usted mismo.
 - Comuníquese con un Centro de Servicio de Samsung.
- Conecte bien el enchufe a la toma de pared.
- No utilice enchufes o cables de alimentación dañados ni enchufes de pared flojos.
 - Esto podría causar una descarga eléctrica o un incendio.

Precauciones de uso

PRECAUCIÓN

- No vuelva a congelar alimentos que se hayan descongelado completamente.
- Utilice solamente la fábrica de hielo del refrigerador.
- Para obtener el mejor desempeño del producto:
 - No coloque alimentos muy cerca de las rejillas de ventilación en la parte posterior del refrigerador, ya que pueden obstruir la libre circulación del aire en el compartimiento del refrigerador.
 - Envuelva los alimentos adecuadamente o colóquelos en recipientes herméticos antes de almacenarlos en el refrigerador.
 - Cumpla con los tiempos máximos de almacenamiento y las fechas de vencimiento de los alimentos congelados.
- No coloque recipientes ni botellas de vidrio ni bebidas carbonatadas en el congelador.
 - El recipiente puede congelarse y romperse, y esto puede ocasionar lesiones.
- Garantía de servicio y modificación.
 - El servicio de garantía de Samsung no cubre los cambios o las modificaciones realizadas por un tercero a este electrodoméstico; Samsung tampoco es responsable de los problemas relacionados con la seguridad que puedan surgir a causa de modificaciones hechas por terceros.
- No obstruya las rejillas de ventilación dentro del refrigerador.
 - Si las rejillas de ventilación están tapadas, en particular con una bolsa de plástico, el refrigerador se puede sobrecongelar. Si el período de enfriamiento es demasiado prolongado, el filtro de agua puede romperse y provocar fugas de agua.
- Si se desconecta el refrigerador del suministro de energía, espere al menos cinco minutos antes de volver a enchufarlo.
- Si entraran grandes cantidades de agua al refrigerador, desenchúfelo y comuníquese con un Centro de Servicio Samsung.
- No golpee ni aplique una fuerza excesiva sobre ninguna superficie de vidrio.
 - Un vidrio roto puede causar lesiones personales o daños materiales.
- Llene el tanque de agua y la charola para el hielo solamente con agua potable (agua de la llave, agua mineral o agua purificada).
 - No llene el tanque con té, jugo ni bebidas isotónicas. Pueden dañar el refrigerador.
- Si el refrigerador se inunda, desconecte la alimentación del refrigerador y comuníquese con el centro de servicios Samsung más cercano.
 - Existe el riesgo de que se produzca una descarga eléctrica o un incendio.



Información sobre seguridad

Precauciones para la limpieza

PRECAUCIÓN

- No pulverice con agua directamente dentro o fuera del refrigerador.
 - Existe el riesgo de que se produzca un incendio o una descarga eléctrica.
- No utilice un secador de cabello para secar el interior del refrigerador.
- No coloque velas encendidas en el refrigerador para eliminar los malos olores.
 - Esto podría causar una descarga eléctrica o un incendio.
- No rocíe productos de limpieza directamente sobre el visor.
 - Las letras impresas en el visor pueden borrarse.
- Si cualquier sustancia extraña, tal como agua, ingresa en el refrigerador, desenchúfelo y comuníquese con su Centro de Servicio Samsung más cercano.
 - No seguir esta recomendación podría causar una descarga eléctrica o un incendio.
- Use un paño seco y limpio para retirar cualquier sustancia extraña o polvo de las clavijas del enchufe. No utilice un paño mojado ni húmedo para limpiar el enchufe.
 - De lo contrario, existe el riesgo de que se produzca un incendio o una descarga eléctrica.
- No limpie el refrigerador rociando agua directamente sobre él.
- No limpie el refrigerador con benceno, disolvente o Clorox (blanqueador).
 - Pueden dañar la superficie del refrigerador y provocar un incendio.
- Nunca coloque los dedos ni otros objetos en la salida del dispensador.
 - Puede provocar lesiones personales o daños materiales.
- Antes de limpiar o realizar el mantenimiento, desenchufe el refrigerador del enchufe de pared.
 - No seguir esta recomendación podría causar una descarga eléctrica o un incendio.



Advertencias muy importantes para la eliminación de residuos

ADVERTENCIA

- **PELIGRO** : Existe el riesgo de que los niños queden encerrados. Antes de desechar su antiguo refrigerador o congelador:
 - Retire las puertas y los pestillos.
 - Deje los estantes en su lugar de manera tal que los niños no puedan trepar fácilmente en el interior.
 - Si algún niño queda atrapado dentro del refrigerador, puede lastimarse o asfixiarse hasta morir.
- Deseche el material de empaque de este producto de forma tal que no resulte nocivo para el medio ambiente.
- Asegúrese de que ninguno de los tubos que se encuentran en la parte trasera del refrigerador estén dañados antes de desecharlos.
- Se utiliza R-600a o R-134a como refrigerante. Mire la etiqueta del compresor en la parte posterior del electrodoméstico o la etiqueta de voltaje dentro del refrigerador para constatar qué refrigerante fue utilizado en su refrigerador. Si este refrigerador contiene gas inflamable (Refrigerante R-600a), comuníquese con las autoridades locales para desechar este producto en forma segura.
- Cuando deseche este refrigerador, retire los burletes y los pestillos de las puertas de manera tal que los niños pequeños o los animales no puedan quedar atrapados en el interior. Se deberá vigilar a los niños para asegurarse de que no jueguen con el electrodoméstico.
 - Si quedan atrapados dentro, los niños pueden lesionarse o sofocarse hasta morir.
- Se utiliza ciclopentano como aislante. Los gases del material de aislamiento requieren un procedimiento especial para desecharlos. Comuníquese con las autoridades locales para desechar este producto de manera que no resulte nocivo para el medio ambiente.
- Mantenga los materiales de empaque fuera del alcance de los niños, ya que pueden ser peligrosos para ellos.
 - Si un niño se coloca una bolsa en la cabeza, puede asfixiarse.



Información sobre seguridad

1. Aviso regulatorio

1.1 Aviso de la FCC (Federal Communications Commission)

PRECAUCIÓN de la FCC:

Todos los cambios y modificaciones que no cuenten con la aprobación expresa de la parte responsable del cumplimiento pueden invalidar la autoridad del usuario para operar el equipo.

Contiene módulo transmisor FCC ID: A3LWCM730Q

Este dispositivo cumple con la sección 15 de las Normas de la FCC. El funcionamiento se encuentra sujeto a las siguientes dos condiciones:

- (1) Este aparato no puede causar interferencia dañina y
- (2) Este aparato debe aceptar la recepción de cualquier interferencia, incluidas aquellas que causen un funcionamiento indeseado.

En los productos disponibles en los mercados de los Estados Unidos y Canadá, solo están disponibles los canales 1 a 11.

No es posible seleccionar otros canales.

DECLARACIÓN DE LA FCC:

Este equipo ha sido sometido a pruebas y se ha determinado que se encuentra dentro de los límites para los dispositivos digitales clase B, de acuerdo con la parte 15 de las Normas de la FCC. Dichos límites han sido diseñados para proporcionar una protección razonable contra la interferencia dañina en una instalación residencial.

Este equipo genera, utiliza y puede irradiar energía de frecuencias de radio y, si no se lo instala y utiliza de acuerdo con las instrucciones, pueden producirse interferencias en las comunicaciones de radio. Sin embargo, no existe garantía alguna de que no habrá interferencia en una instalación determinada. Si el equipo provoca interferencia dañina a la recepción de radio o televisión, que puede determinarse al encender y apagar el equipo, se sugiere que el usuario trate de corregir la interferencia mediante una o más de las siguientes medidas:

- Reorientar o reubicar la antena receptora
- Aumentar la distancia entre el equipo y el receptor
- Conectar el equipo en un tomacorriente que está en un circuito diferente que el receptor.
- Consultar a su distribuidor o a un técnico experimentado en radio/TV para obtener ayuda.

DECLARACIÓN DE LA FCC SOBRE LA EXPOSICIÓN A LA RADIACIÓN:

Este equipo cumple con los límites de exposición a la radiación establecidos por la FCC para un entorno no controlado.

Este equipo debe instalarse y utilizarse con una distancia mínima de 8 pulgadas (20 cm) entre el radiador y su cuerpo. Este aparato y sus antenas no deben ubicarse ni utilizarse junto con ninguna otra antena o transmisor excepto si se cumplen los procedimientos de la FCC para productos transmisores múltiples.



1.2 Aviso de la IC

Contiene módulo de transmisor IC: 649E-WCM730Q

El término "IC" antes del número de certificación de radio solo significa que cumple con las especificaciones técnicas de la Industria de Canadá. El funcionamiento se encuentra sujeto a las siguientes dos condiciones: (1) Este aparato no puede causar interferencia dañina, y (2) este aparato debe aceptar la recepción de cualquier interferencia, incluidas aquellas que puedan causar un funcionamiento indeseado. Este aparato digital Clase B cumple con el ICES-003 de Canadá.

Cet appareil numérique de la classe B est conforme à la norme NMB-003 du Canada.

En los productos disponibles en los mercados de los Estados Unidos y Canadá, solo están disponibles los canales 1 a 11. No es posible seleccionar otros canales.

DECLARACIÓN IC SOBRE LA EXPOSICIÓN A LA RADIACIÓN:

Este equipo cumple con los límites de exposición a la radiación establecidos por la IC RSS-102 para un entorno no controlado. Este equipo debe instalarse y utilizarse con una distancia mínima de 8 pulgadas (20 cm) entre el radiador y su cuerpo. Este aparato y sus antenas no deben ubicarse ni utilizarse junto con ninguna otra antena o transmisor excepto si se cumplen los procedimientos de la FCC para productos transmisores múltiples.

GUARDE ESTAS INSTRUCCIONES

Instalación

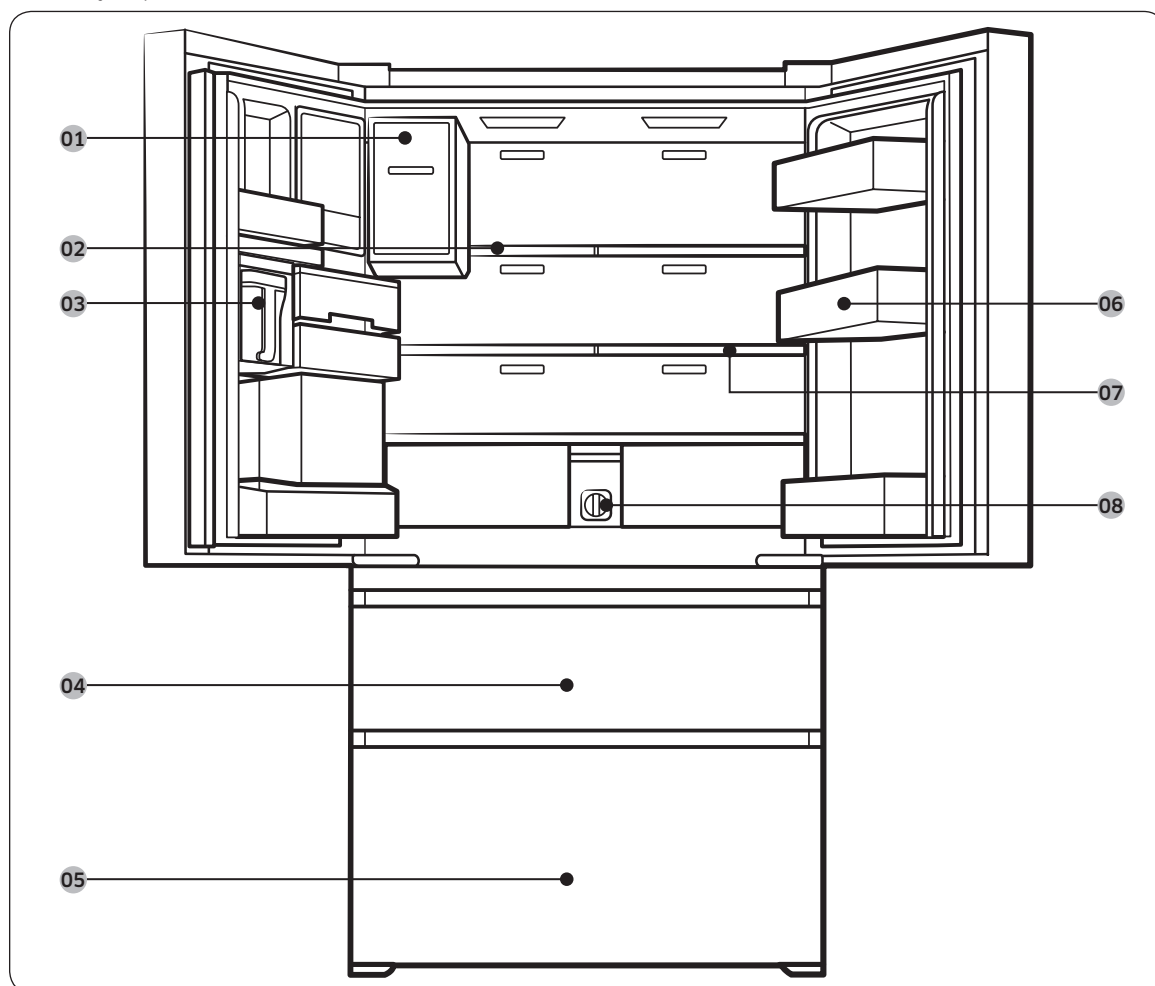
Siga las instrucciones cuidadosamente a fin de garantizar la instalación adecuada del refrigerador y de evitar accidentes antes de utilizarlo.

ADVERTENCIA

- Utilice el refrigerador solamente para su uso previsto como se describe en este manual.
- Todas las reparaciones deben estar a cargo de un técnico calificado.
- Descarte el material de empaque del producto de acuerdo con la normativa local.
- A fin de evitar descargas eléctricas, desconecte el enchufe antes de realizar trabajos de mantenimiento o reemplazo de piezas.

Descripción breve del refrigerador

El refrigerador y los componentes provistos pueden diferir de las ilustraciones en este manual según el modelo y el país.





- | | |
|---|--|
| 01 Fábrica de hielo automática | 02 Estante plegable de 1 posición |
| 03 Tanque de agua (Infusor de autollenado) | 04 FlexZone™ |
| 05 Congelador | 06 Compartimientos de las puertas |
| 07 Estante plegable de 2 posiciones | 08 Filtro de agua |

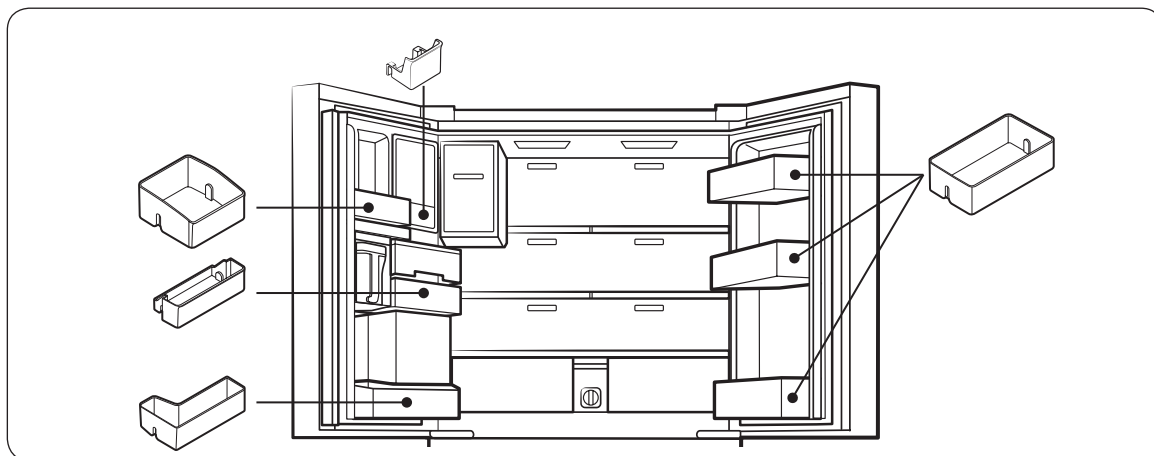
* solo para los modelos correspondientes

NOTA

- Para una mayor eficiencia energética, asegúrese de que todos los estantes, cajones y canastos estén en su posición original.
- Al cerrar la puerta, asegúrese de que la sección de la bisagra vertical se encuentre en la posición correcta para impedir que se raye con la otra puerta.
- Si la sección de la bisagra vertical está invertida, colóquela en la posición correcta y cierre la puerta.
- Algunas veces puede aparecer humedad en esta sección de la bisagra vertical.
- Si cierra una puerta por la fuerza, la otra puerta puede abrirse.
- Cuando se abre una puerta, el disyuntor desactiva automáticamente el motor sinfín de la fábrica de hielo por razones de seguridad.
- Si la lámpara LED interna o externa no funcionan, comuníquese con un centro de servicio Samsung.

Compartimientos de las puertas

Su refrigerador se despacha con compartimientos de las puertas de distintos tipos y tamaños. Si los compartimientos de las puertas de su refrigerador se embalaron por separado, utilice la siguiente figura como guía para colocar los compartimientos correctamente.



Instalación

Instalación paso a paso

PASO 1 Seleccione un lugar

Seleccione un lugar que:

- Tenga una superficie sólida, nivelada sin alfombrado ni pisos que puedan obstruir la ventilación
- Esté alejado de la luz solar directa
- Cuenten con el lugar adecuado para abrir y cerrar la puerta
- Esté alejado de las fuentes de calor
- Cuenten con lugar para realizar mantenimiento y reparaciones
- Cuenten con un rango de temperatura de entre 50 °F (10 °C) y 109 °F (43 °C)

⚠ PRECAUCIÓN

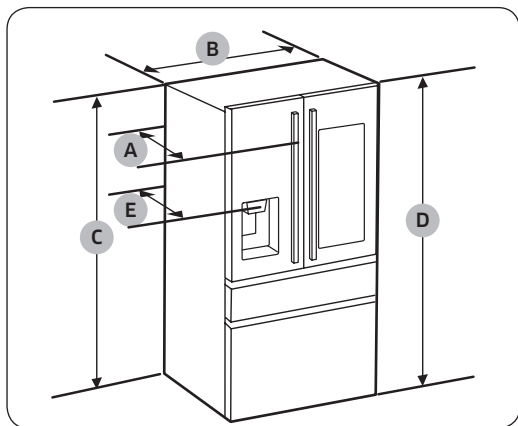
- Si su refrigerador cuenta con una fábrica de hielo, asegúrese de dejar un espacio adicional en la parte posterior del refrigerador para la conexión de la tubería de agua.
- Si se instala el refrigerador junto a una pared fija, debe asegurarse de dejar una distancia mínima de 3 3/4" (95 mm) entre el refrigerador y la pared para poder abrir la puerta.

📄 NOTA

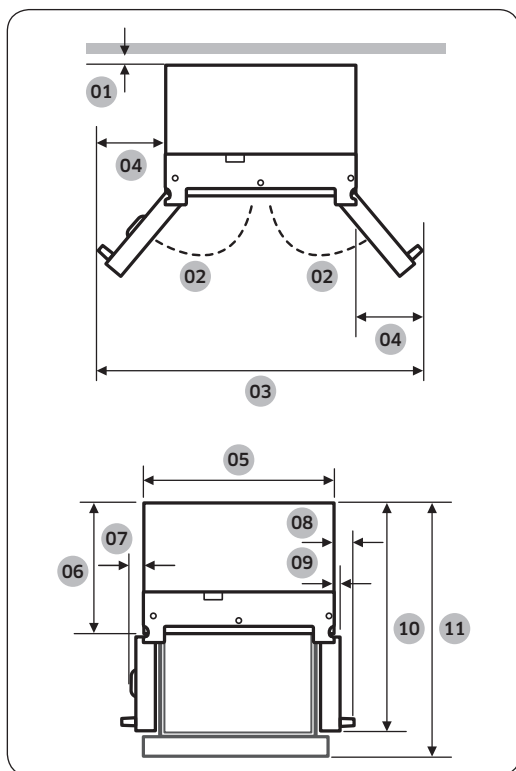
Para facilitar el desplazamiento del refrigerador hasta su ubicación final, asegúrese de medir el ancho y el alto de las entradas, los umbrales, los techos, las escaleras, y todo lo que deba considerarse para garantizar que el refrigerador pueda trasladarse de manera segura. El siguiente diagrama ilustra la altura y la profundidad exactas de su refrigerador (especificaciones de fábrica).

Espacio libre

Consulte las ilustraciones y la tabla que aparece a continuación para conocer los requisitos de espacio para la instalación.



Modelo	RF23M857*** RF23M858***	RF23M859***
Profundidad "A"	-	30 3/4" (781 mm)
Ancho "B"	35 3/4" (908 mm)	35 3/4" (908 mm)
Altura "C"	68 7/8" (1749 mm)	68 7/8" (1749 mm)
Altura total "D"	70" (1777 mm)	70" (1777 mm)
Profundidad "E"	29 1/4" (741 mm)	29 1/4" (741 mm)



Modelo	RF23M857*** RF23M858***	RF23M859***
01	2" (50 mm)	2" (50 mm)
02	125°	125°
03	58" (1474 mm)	60 5/8" (1540 mm)
04	11 1/8" (283 mm)	12 3/8" (316 mm)
05	35 3/4" (908 mm)	35 3/4" (908 mm)
06	24" (610 mm)	24" (610 mm)
07	2 1/2" (64 mm)	2 1/2" (64 mm)
08	-	4 1/8" (104 mm)
09	1 3/4" (45.4 mm)	1 3/4" (45.4 mm)
10	43 1/8" (1095.5 mm)	43 1/8" (1095.5 mm)
11	45" (1143 mm)	45" (1143 mm)

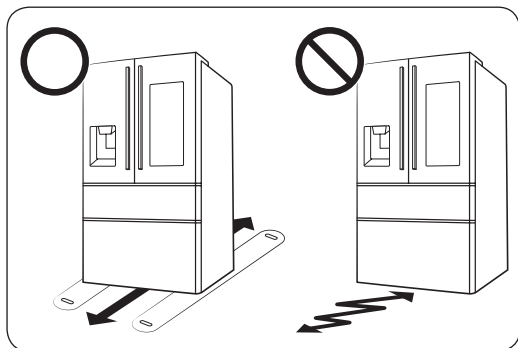
NOTA

Las medidas de la tabla anterior pueden variar ligeramente de las medidas reales según el método de medición y redondeo.

Instalación

PASO 2 Piso

Si el refrigerador no pasa por la puerta por su tamaño, consulte PASO 3 Extracción de la puerta para la entrada.



NOTA

Para evitar que se dañe el piso, asegúrese de que las patas de nivelación delanteras estén en posición vertical.

- La superficie sobre la que se instalará el refrigerador debe soportar un refrigerador completamente cargado.
- A fin de proteger el piso, coloque un trozo de cartón por el recorrido del refrigerador hasta su ubicación final.
- Una vez que el refrigerador esté en su posición final, no lo mueva a menos que sea necesario a fin de proteger el piso. Si debe hacerlo, utilice un papel grueso o tela, como una alfombra vieja, en el recorrido por el que se lo desplazará.

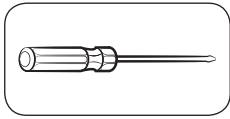
PASO 3 Extracción de la puerta para la entrada

Si el refrigerador no pasa por la entrada de su casa o de la cocina por una cuestión de tamaño, siga estas instrucciones para extraer y colocar nuevamente las puertas del refrigerador. Si no necesita retirar las puertas, vaya a la página 28 para continuar con el procedimiento de instalación.

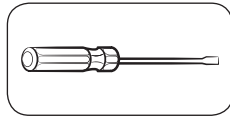
ADVERTENCIA

Desenchufe el cable de alimentación del refrigerador antes de retirar las puertas.

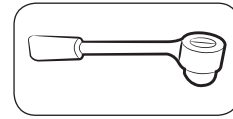
Herramientas necesarias (no provistas)



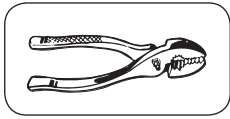
Destornillador Phillips



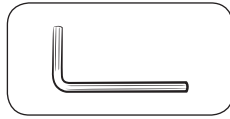
Destornillador plano



Llave de tubo 3/8" (10 mm)



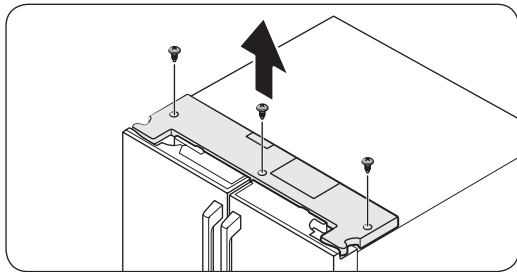
Pinzas



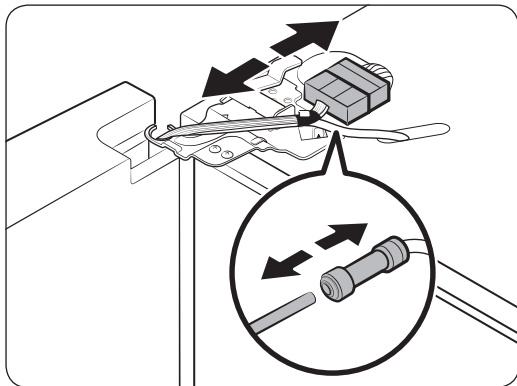
Llave Allen 1/4" (5 mm)

Instalación

Retire las puertas del refrigerador



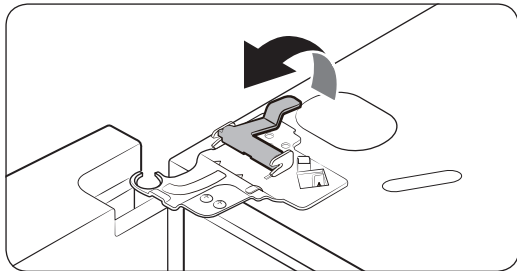
1. Con la puerta abierta, retire los tornillos de la cubierta superior.



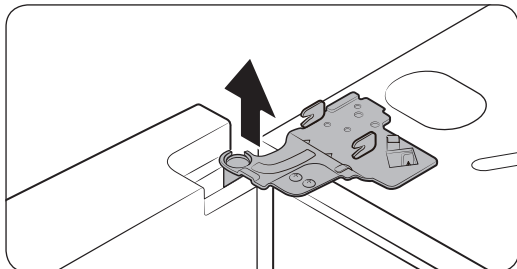
2. Desconecte los cables y el tubo de agua de la puerta izquierda. Haga lo siguiente en orden:
 - Desconecte el **conector**.
 - Sosteniendo un extremo del acoplador de la tubería de agua, desconecte el **tubo de agua**.

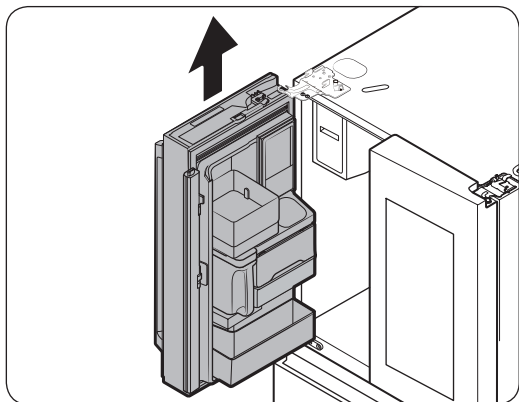
⚠ PRECAUCIÓN

Mantenga las grapas del tubo de agua fuera del alcance de los niños.



3. Retire las bisagras superiores.
 - Tire de la **palanca de la bisagra** y retírela.
 - Luego, retire la **bisagra de la puerta**.
 - Repita este paso del otro lado.

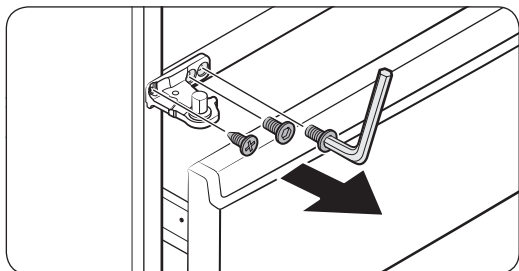




4. Levante la puerta en línea recta para retirarla.
 - Repita este paso del otro lado.

⚠ PRECAUCIÓN

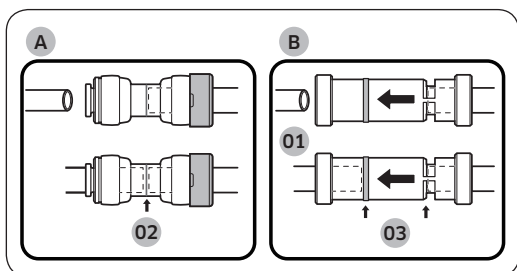
No retire ambas puertas simultáneamente. Asegúrese de retirar una puerta por vez. De lo contrario, alguna podría caerse y provocar lesiones.



5. Retire la bisagra del medio.
 - Retire el **tornillo** de la bisagra usando el destornillador Phillips.
 - Retire **los pernos de cabeza hexagonal** de la bisagra usando una llave Allen ($\frac{1}{4}$ " , 5 mm).
 - Retire la **bisagra del medio**.
 - Repita este paso del otro lado.

Para colocar nuevamente la puerta del refrigerador

Una vez que haya instalado el refrigerador en su ubicación final, vuelva a colocar las puertas siguiendo las instrucciones para retirar las puertas en orden inverso.



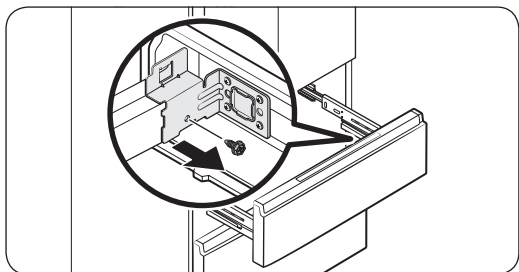
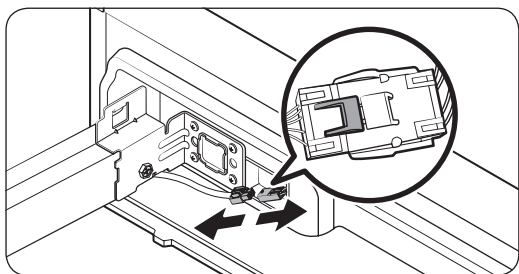
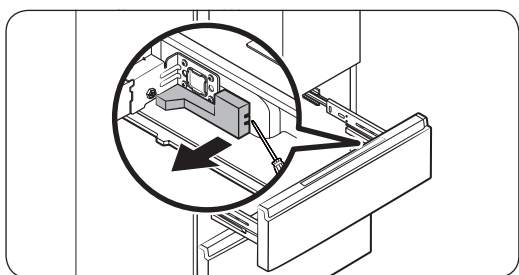
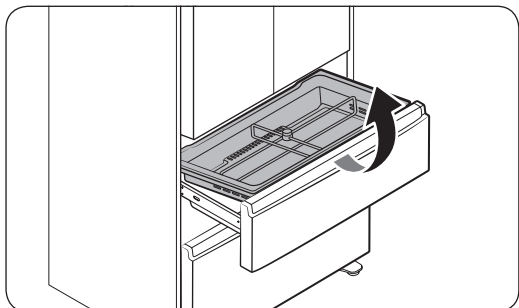
⚠ PRECAUCIÓN

Para evitar fugas de agua del dispensador, la tubería de agua debe estar completamente conectada. Asegúrese de que ambos tubos de la tubería de agua estén insertados completamente en el centro del acoplador transparente (A) o las marcas de guía (B).

- 01 Dispensador
- 02 Centro del acoplador transparente
- 03 Marcas de guía

Instalación

Retire el cajón FlexZone™

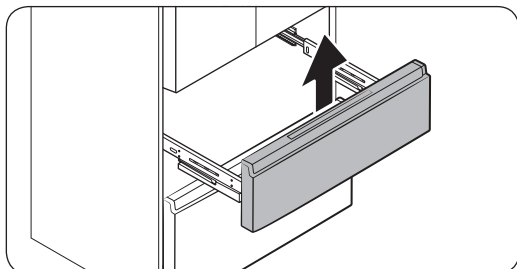


1. Levante la cesta FlexZone™ para retirarla.

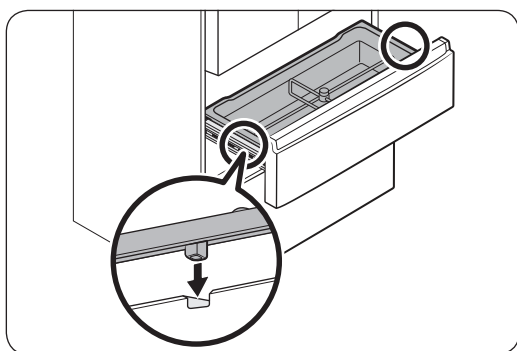
2. Retire la cubierta del cable con arnés con un destornillador plano.

3. Presione la pestaña de bloqueo y desenchufe el conector del cable.

4. Retire el perno de cabeza hexagonal de cada lado con una llave de tubo ($\frac{3}{8}$ ", 10 mm) o un destornillador.



5. Levante el frente del cajón de FlexZone™ para retirarlo del conjunto de riel.



⚠ PRECAUCIÓN

- Tenga cuidado al retirar el conjunto de riel, ya que podría caerse y dañar el piso.
- Asegúrese de colocar el cajón FlexZone™ en su lugar antes de retirar o instalar la cesta FlexZone™. Es posible que el cajón FlexZone™ no se abra o cierre correctamente si el cajón del congelador no está colocado.
- No almacene demasiados alimentos en el cajón FlexZone™. Esto hará que el cajón FlexZone™ no se cierre correctamente y se acumule escarcha.

Para colocar nuevamente el cajón FlexZone™

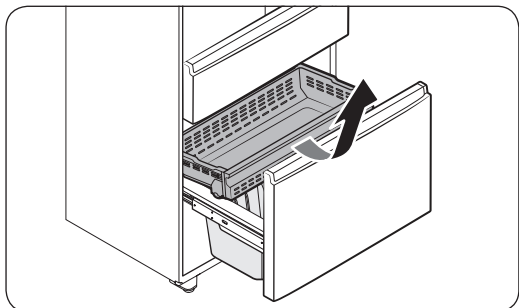
Una vez que haya instalado el refrigerador en su ubicación final, vuelva a colocar el cajón FlexZone™ siguiendo las instrucciones para retirarlo en orden inverso.

⚠ PRECAUCIÓN

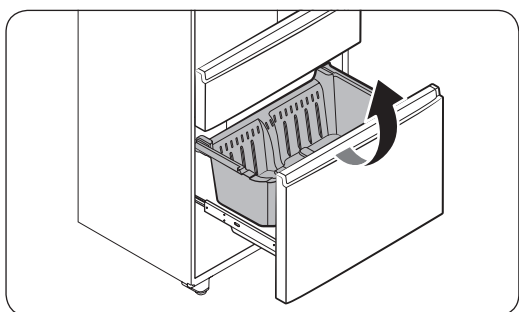
Si el cajón FlexZone™ o el indicador no funcionan adecuadamente, asegúrese de que los conectores estén bien conectados.

Instalación

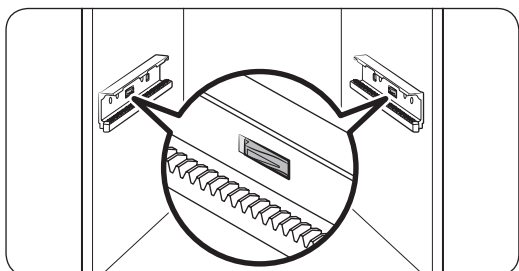
Retire el cajón del congelador



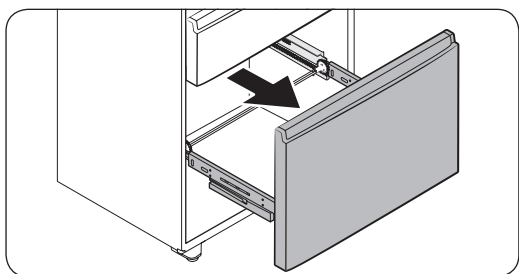
1. Empuje la **cesta superior** hasta el final y luego levántela para quitarla.



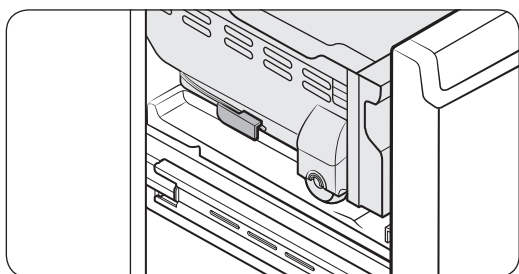
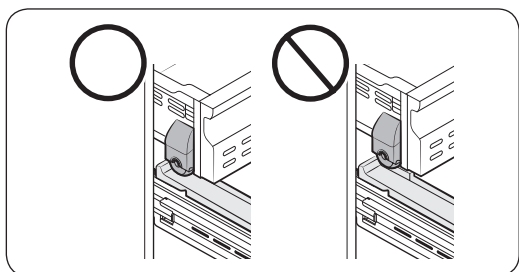
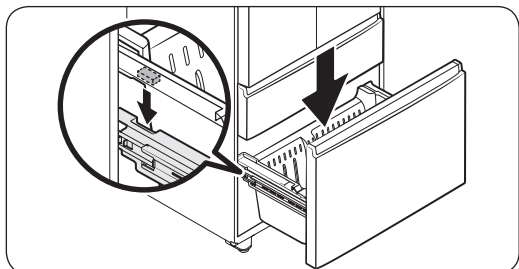
2. Tire de la **cesta inferior** para retirarla del conjunto de riel.



3. Presione los ganchos para desbloquear el conjunto de riel.



4. Mientras sostiene la parte superior del **frente del cajón del congelador**, deslícelo hacia afuera para retirar el cajón del congelador del conjunto de riel.



PRECAUCIÓN

- Asegúrese de instalar las cestas del congelador en la posición correcta. De lo contrario, el cajón no se podrá abrir ni cerrar correctamente, lo que provocará la acumulación de escarcha.
- No almacene demasiados alimentos en las cestas del congelador. Esto hará que el cajón del congelador no se cierre correctamente y se acumule escarcha.
- Con la cesta inferior totalmente abierta, coloque la cesta superior en el cajón del congelador. Asegúrese de que las ruedas de la cesta superior estén en el extremo de los rieles de la cesta inferior.
- Coloque las ruedas de la cesta superior en el extremo de los rieles de la cesta inferior. Luego, deslice la cesta superior completamente hacia adelante.
- Tenga cuidado de no rayar ni abollar el conjunto de riel.

Para colocar nuevamente el cajón del congelador

Una vez que haya instalado el refrigerador en su ubicación final, vuelva a colocar el cajón del congelador siguiendo las instrucciones para retirarlo en orden inverso.

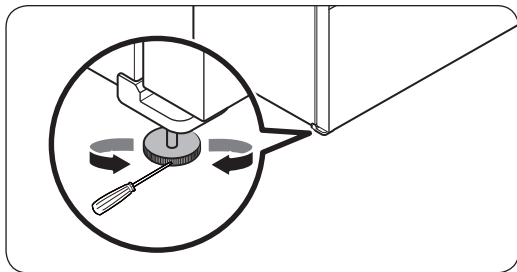
Instalación

PASO 4 Nivelación del refrigerador

⚠ PRECAUCIÓN

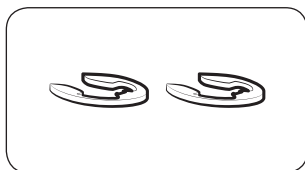
- El refrigerador debe estar sobre un piso plano y sólido. No hacerlo puede provocar daños al refrigerador o lesiones personales.
- La nivelación debe realizarse con el refrigerador vacío. Asegúrese de que no haya alimentos dentro del refrigerador.
- Además, abra el cajón del congelador y extraiga la cesta inferior.
- Por razones de seguridad, ajuste el refrigerador de manera que la parte delantera quede más elevada que la parte trasera.

Nivele el refrigerador usando los tornillos especiales (niveladores) en las patas delanteras. Use un destornillador plano para girar los niveladores.



- Para ajustar la altura de un lado: Inserte un destornillador plano en una muesca del nivelador de ese lado. (izquierda o derecha) Gire el nivelador en el sentido de las agujas del reloj para elevar el refrigerador. Gírelo en el sentido contrario para bajarlo. Repita del otro lado.

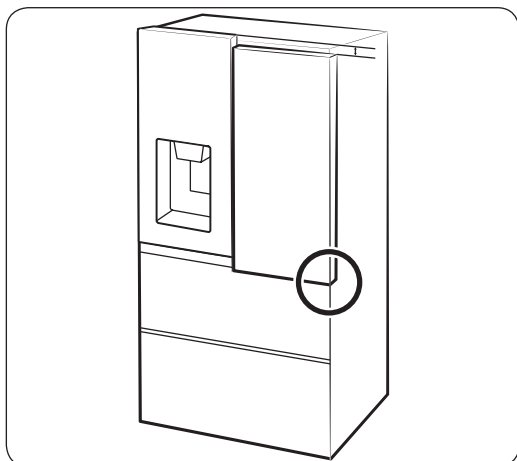
PASO 5 Ajuste de la altura de la puerta y del espacio de la puerta



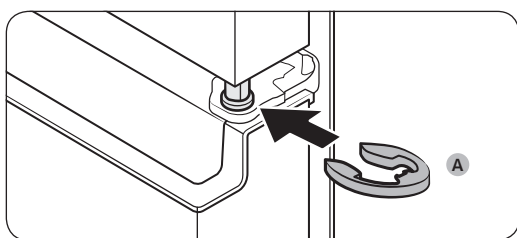
Anillos elásticos

Es posible ajustar la altura de la puerta mediante los anillos elásticos provistos que vienen en 4 tamaños diferentes (1 mm, 1.5 mm, 2 mm y 2.5 mm).

Para ajustar la altura de una puerta



1. Controle la diferencia de altura entre las puertas y luego eleve y sostenga la puerta más baja.



2. Inserte un **anillo elástico (A)** del tamaño adecuado entre la puerta y la bisagra como se ilustra.

⚠ PRECAUCIÓN

- Inserte solo un anillo elástico. Colocar dos o más anillos elásticos puede hacer que se deslicen o hagan ruido por el rozamiento.
- Mantenga los anillos elásticos fuera del alcance de los niños y consérvelos para uso futuro.
- No eleve la puerta en demasía. La puerta puede entrar en contacto y dañar la cubierta superior.

Instalación

PASO 6 Conectar la tubería del dispensador de agua

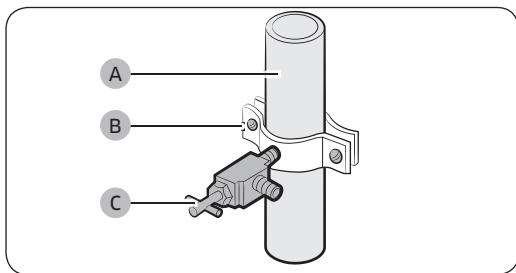
El dispensador de agua con filtro es una de las funciones útiles de su nuevo refrigerador. Con el fin de promover la buena salud, el filtro de agua elimina las partículas no deseadas del agua. No obstante, no la esteriliza ni destruye los microorganismos. Para eso, necesita adquirir un sistema de purificación de agua. La tubería del agua también se conecta a la fábrica de hielo. Para que la fábrica de hielo funcione correctamente, se necesita una presión de agua de 20-125 psi.

Si el refrigerador se instala en una zona con baja presión de agua (inferior a los 20 psi), puede instalar una bomba cebadora para compensar la baja presión.

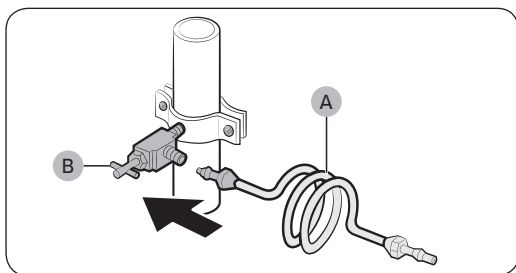
Una vez conectada la tubería de agua, asegúrese de que el tanque de almacenamiento de agua dentro del refrigerador esté lleno. Para hacerlo, presione la palanca del dispensador de agua hasta que salga el agua por la salida.

NOTA

- Su distribuidor podrá ofrecerle los equipos de instalación de tuberías de agua disponibles a un costo adicional. Recomendamos utilizar un equipo de instalación de tubería de agua que contenga tubería de cobre y una tuerca de compresión de 1/4" (6 mm).
- Utilice solo las mangueras nuevas provistas con el electrodoméstico. No reutilice las mangueras antiguas.



1. Cierre el suministro de agua principal.
2. Inserte la abrazadera (B) y la válvula de cierre (C) en la tubería de agua fría (A).

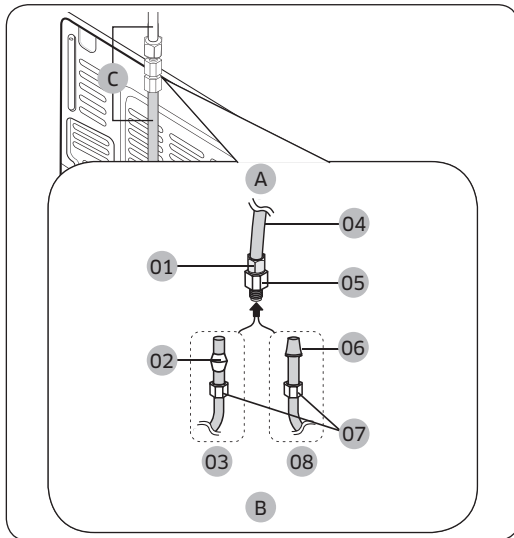


3. Conecte el equipo de instalación de la tubería de agua (A) a la válvula de cierre (B).

Conecte la tubería de suministro de agua al refrigerador

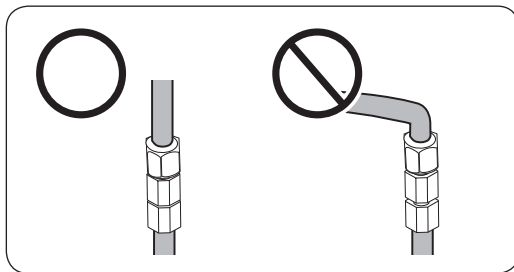
Para llevar a cabo la conexión, necesita adquirir varios elementos. Posiblemente su ferretería local los venda todos juntos en un equipo.

Tubería de cobre	<ul style="list-style-type: none">• Tubería de cobre de 1/4"• Tuerca de compresión de 1/4" (1)• Fécula (2)
Tubería de plástico	<ul style="list-style-type: none">• Tubería de plástico de 1/4" → Extremo moldeado (bulbo)• Tuerca de compresión de 1/4" (1)



- A. Refrigerador
- B. Tubería de suministro del agua corriente
- C. Tubería de agua: debe mantenerse recta.

- 01 Tuerca de compresión (1/4") (ensamblada)
- 02 Fécula (no provista)
- 03 Tubería de cobre (no provista)
- 04 Tubería de plástico (ensamblada)
- 05 Acople de compresión (ensamblada)
- 06 Extremo moldeado (bulbo)
- 07 Tuerca de compresión (B) (1/4") (no provista)
- 08 Tubería de plástico (A) (no provista)



NOTA

Si debe reubicar el refrigerador después de conectar la **tubería de agua (C)**, asegúrese de que la sección de la unión de la tubería se mantenga recta.

1. Conecte la tubería de agua corriente al acople de compresión ensamblado.
 - Si utiliza una tubería de cobre, deslice la **tuerca de compresión (B)** (no provista) y la **fécula** (no provista) por la tubería de cobre (no provista) como se muestra en el gráfico.
 - Si utiliza una **tubería de plástico (A)**, inserte el extremo moldeado (bulbo) de la **tubería de plástico (A)** en el acople de compresión.



Instalación

PRECAUCIÓN

- Si utiliza una **tubería de plástico (A)**, no la use sin el extremo moldeado (bulbo).
 - Dejar la tubería de agua desconectada puede causar que con el tiempo la válvula de agua emita un zumbido. En este caso, asegúrese de desactivar la fábrica de hielo colocándola en **"OFF"** y no intente usar el dispensador de agua.
2. Ajuste la **tuerca de compresión (B)** sobre el **acople de compresión**. No ajuste demasiado la **tuerca de compresión (B)**.
 3. Abra el agua y verifique si hay alguna fuga. Si encuentra gotas o fugas de agua en las zonas de las conexiones, cierre el suministro de agua principal. Revise las conexiones y, de ser necesario, ajústelas.
 4. Haga correr 1 galón de agua a través del filtro antes de beber o de utilizar el agua del refrigerador. (El agua debe correr unos 6 minutos.) Para hacer correr el agua, presione la palanca del dispensador de agua con un vaso o una taza grandes. Llene el vaso, vacíelo y luego repita la operación.
 5. Tras poner en funcionamiento el refrigerador, deje que la fábrica de hielo haga hielo durante 1 o 2 días. Pasado este tiempo, deseche las primeras 1 o 2 cubetas de hielo para asegurarse de que se hayan eliminado todas las impurezas de la tubería de agua.

NOTA

Conecte solamente la tubería de agua a una fuente de agua potable.

- Si debe reparar o desensamblar la tubería de agua, recorte $\frac{1}{4}$ " de la tubería de plástico para asegurarse de que la conexión sea perfecta y libre de pérdidas.
- Puede probar rápidamente la tubería del agua con un vaso de papel. En condiciones normales, el dispensador de agua puede llenar un vaso de $5\frac{3}{4}$ oz. (170 cc) en aproximadamente 10 segundos.

PASO 7 Configuración inicial

Al completar los siguientes pasos, el refrigerador quedará en perfectas condiciones de funcionamiento.

1. Enchufe el cable de alimentación al tomacorriente para encender el refrigerador.
2. Abra la puerta y verifique que la luz interna se encienda.
3. Coloque la temperatura en el valor más frío y espere una hora. Luego, el congelador comenzará a enfriarse y el motor funcionará adecuadamente.
4. Espere a que el refrigerador llegue a la temperatura configurada. Ahora el refrigerador estará listo para usar.



PASO 8 Verificación final

Una vez finalizada la instalación, confirme que:

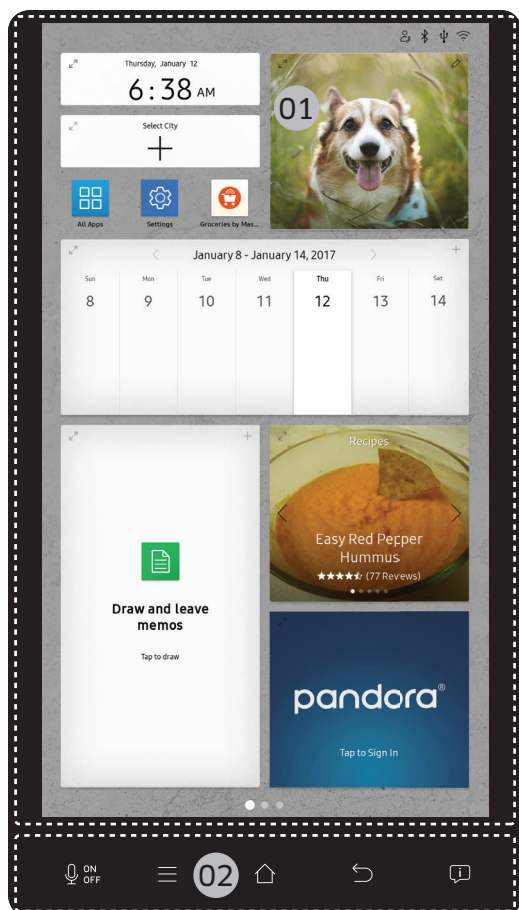
- El refrigerador esté enchufado al tomacorriente y correctamente conectado a tierra.
- El refrigerador esté instalado sobre una superficie plana y nivelada con un espacio libre razonable con respecto a paredes y gabinetes.
- El refrigerador esté nivelado y apoyado firmemente en el piso.
- La puerta se abre y cierra libremente y la luz interior se enciende automáticamente al abrir la puerta.

Funcionamiento

Interfaz del usuario

NOTA

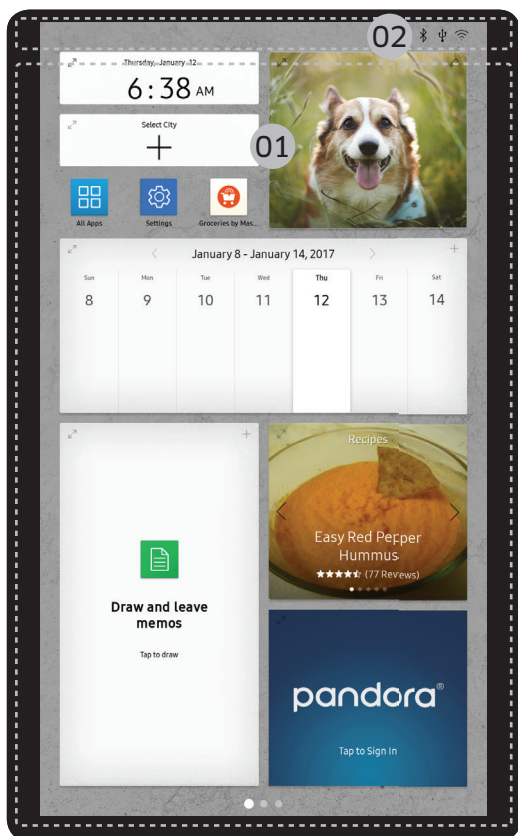
- Para obtener una información detallada de las funciones y aplicaciones del refrigerador, consulte el manual de usuario en pantalla disponible en el visor LCD de su refrigerador.
- El contenido de las aplicaciones y widgets, así como su diseño, están sujetos a modificaciones. El soporte técnico para aplicaciones y widgets puede interrumpirse sin aviso dependiendo de la política del proveedor de contenidos.
- Las transacciones con algunos servicios por parte de menores de edad deben ser supervisadas por adultos.
- Las aplicaciones PANDORA solo están disponibles en los Estados Unidos.



01 Pantalla de Inicio

02 Barra de tareas

01 Pantalla de Inicio



01 Aplicaciones y widgets

- Toque la aplicación o el widget deseado para iniciarlo.
- Mantenga presionada la aplicación o el widget para ingresar al modo de edición. Aparece una cuadrícula. En el modo Editar, puede arrastrar y soltar una aplicación o un widget en una nueva ubicación de la cuadrícula. Cuando desplaza una aplicación o un widget a una nueva ubicación de la cuadrícula, la ubicación se vuelve azul si está disponible. Si no está disponible, se vuelve roja.
- Puede agregar una aplicación o widget que se borró de la lista de todas las aplicaciones.

02 Barra de estado

- **Bluetooth** (⌘): Indica el estado de la conexión Bluetooth.
- **USB** (ψ): Indica el estado de la conexión USB.
- **Gestión remota** (ℹ): Se enciende cuando la gestión remota está activada y en ejecución.

📄 NOTA

El refrigerador admite memorias USB con el formato de los sistemas de archivos FAT32 o exFAT. No se admite NTFS. Asegúrese de convertir NTFS a FAT32 o exFAT antes del uso.

- **Red** (📶): Indica el estado de la conexión de red en 5 niveles (Apagado, 1 a 4)

Funcionamiento

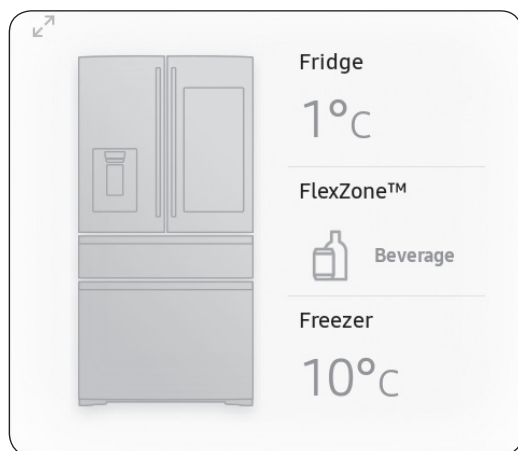
02 Barra de tareas



01 Micrófono	Toque para activar o desactivar la función de reconocimiento de voz. El icono del micrófono se pone rojo cuando está apagado.
02 Menú	Toque para mostrar los menús disponibles.
03 Inicio	<ul style="list-style-type: none">• Toque para abrir la pantalla de Inicio.• Mantenga presionado para abrir el Administrador de tareas. Consulte la sección Administrador de tareas para obtener más detalles.
04 Regresar	Toque para regresar a la pantalla anterior.
05 Notificación	Toque para mostrar el Panel rápido.

Administrador del refrigerador

Para acceder al Administrador del refrigerador, deslice el dedo por la pantalla de Inicio hacia la izquierda y, luego, toque el widget **Administrador del refrigerador**.



- En el widget Administrador del refrigerador, se muestran las temperaturas actuales del refrigerador y del congelador, así como las funciones especiales activas.
- Para ver ajustes detallados, toque el widget para abrir el Administrador del refrigerador.

Funcionamiento



El Administrador del refrigerador es una representación gráfica de su refrigerador. La mitad superior representa el compartimiento del refrigerador, la parte inferior izquierda el compartimiento del congelador y la parte inferior derecha la FlexZone. Los ajustes de temperatura o modo de cada una se muestran en la sección correspondiente.

Descripción breve del Administrador del refrigerador

01 Temperatura

Cambiar la temperatura del Refrig, Congel y FlexZone™. También permite encender o apagar la función Refrigeración rápida del refrigerador y la función Congelación rápida del congelador.

- La congelación rápida acelera el proceso de congelación con la velocidad máxima del ventilador. El congelador funciona a máxima velocidad durante varias horas antes de volver a la temperatura previa.
- Para congelar una gran cantidad de alimentos, active la función de congelación rápida como mínimo 20 horas antes de poner alimentos en el congelador.

NOTA

Utilizar la congelación rápida o la refrigeración rápida aumenta el consumo energético. Asegúrese de apagar estas funciones y volver a la temperatura anterior si no tiene intenciones de utilizarlas.

02 Funciones especiales

Ver una breve explicación de algunas funciones especiales del refrigerador.

03 Ajustes del refrigerador

Cambiar muchos de los ajustes del refrigerador, incluidos los de fabricación de hielo, alarma de la puerta y unidad de temperatura (°F o °C). Vea la página siguiente para más detalles.

04 Condiciones externas

Muestra la temperatura y la humedad externas (ambiente).


NOTA

Las condiciones mostradas pueden diferir de la temperatura y la humedad reales.



5. Estado del Infusor de autollenado
Muestra el estado de la función de llenado automático de agua.
6. Estado de la Fábrica de hielo
Muestra el estado actual de la fábrica de hielo.

NOTA

También se muestra el indicador **Hielo desactivado** (fabricación de hielo desactivada) en el centro de la parte superior. Cuando el indicador muestra **Hielo desactivado**, la fabricación de hielo del refrigerador se apaga.

Fábrica de hielo	Activa y desactiva la fabricación de hielo. Toque y arrastre el botón para activar o desactivar. Tenga en cuenta que si la cubeta de hielo está llena, el refrigerador no comenzará a fabricar hielo cuando arrastre el botón para activarla. En su lugar, muestra el indicador de hielo desactivado en la pantalla principal.
Infusor de autollenado	Activa y desactiva la función Infusor de autollenado. Toque y arrastre el botón para activar o desactivar. Abra la puerta izquierda del refrigerador y luego inserte el tanque de agua. Cierre la puerta. El tanque de agua comienza a llenarse de agua hasta el nivel máximo.  NOTA <ul style="list-style-type: none">• De manera predeterminada, la función Infusor de autollenado está desactivada. Active esta función luego de haber instalado la tubería de agua.• Si abre la puerta o empuja la palanca del dispensador, esta función se detiene temporalmente.• Mientras que el tanque se llena, la luz ambiente del panel del dispensador permanece encendida.
Bloqueo del dispensador	Activa y desactiva los dispensadores de hielo y agua. Toque y arrastre el botón para activar o desactivar.
Alarma de la puerta	La alarma de la puerta suena si se deja la puerta abierta. Toque y arrastre el botón para activar o desactivar.
Unidad de temperatura	Cambiar la unidad de temperatura entre Celsius y Fahrenheit. Toque °F o °C para cambiar la unidad de temperatura.


Funcionamiento

Filtro	<p>Proporciona un tutorial sobre el reemplazo del filtro de agua y permite restablecer el indicador de reemplazo del mismo. Toque para abrir.</p> <p> NOTA</p> <p>Después de instalar el filtro de agua, toque Filtro, y luego toque RESTABLECER. Al tocar RESTABLECER se reinicializa la función que mide el tiempo que falta para que sea necesario volver a reemplazar el filtro de agua.</p>
Autoverificación	<p>La autoverificación es una función de diagnóstico. Toque para abrir. Toque INICIO para ejecutar.</p>
Respuesta a la demanda	<p>Funciona con el administrador de ahorro de energía de Smart Grid. Toque para abrir. Toque y arrastre el botón para activar o desactivar. Consulte la sección Smart Grid de este manual para obtener más información.</p>
Ahorro de energía	<p>Activa y desactiva el modo de ahorro de energía. Toque y arrastre el botón para activar o desactivar. De manera predeterminada, el modo de ahorro de energía está activado.</p> <p> NOTA</p> <p>Si se forma condensación o gotas de agua en las puertas o a su alrededor, apague el modo de ahorro de energía.</p>
Enfriamiento desactivado	<p>El modo Enfriamiento desactivado (también llamado modo Tienda), está diseñado para que lo usen los distribuidores cuando exhiben los refrigeradores en las tiendas.</p> <p>En el modo Enfriamiento desactivado, el motor del ventilador del refrigerador y las luces funcionan normalmente, pero los compresores no lo hacen, por lo tanto, el refrigerador y el congelador no se enfrían. Si Enfriamiento desactivado está activado, todos los controles de enfriamiento se apagarán en el Administrador del refrigerador.</p> <p>Toque y arrastre el botón para activar o desactivar.</p>

Ajustes

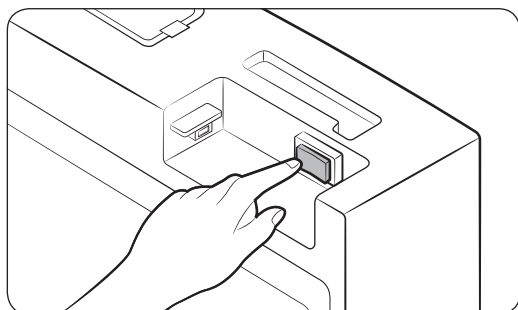
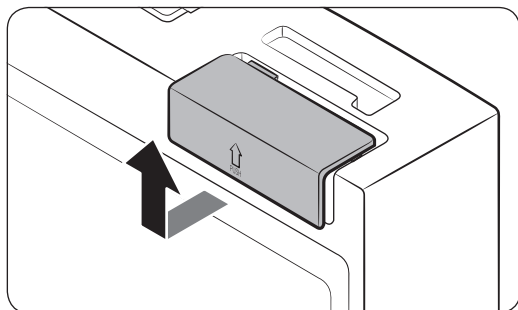
Visor	<ul style="list-style-type: none"> Permite ajustar el brillo, los fondos, la activación automática, el detector de movimiento de la pantalla y el tema, la duración y la hora de inicio del protector de pantalla.
Sonido	<ul style="list-style-type: none"> Permite ajustar el volumen y el ecualizador y activar o desactivar el sonido sensible al tacto.
Wi-Fi	<ul style="list-style-type: none"> Encienda o apague una conexión Wi-Fi. La red de Wi-Fi actual aparece primera en la lista de puntos de acceso (PA).
Bluetooth	<ul style="list-style-type: none"> Se muestra una lista de hasta 4 dispositivos Bluetooth emparejados recientemente. Para agregar un nuevo dispositivo cuando se muestran 4 dispositivos emparejados, primero desempareje un dispositivo emparejado desde la lista de dispositivos. Los dispositivos disponibles son audífonos, auriculares y altavoces compatibles con Bluetooth.
Voz	<ul style="list-style-type: none"> Permite configurar el idioma y la función de voz y activar o desactivar los comentarios de voz y la activación por voz.
Perfil	<ul style="list-style-type: none"> Permite agregar, editar o borrar un perfil.
Controles parentales	<ul style="list-style-type: none"> Activa o desactiva las restricciones en las funciones y aplicaciones de Family Hub.
Idioma	<ul style="list-style-type: none"> Seleccione el idioma preferido. Los idiomas disponibles dependen de la región de venta.
Fecha y hora	<ul style="list-style-type: none"> Asegúrese de que la función Actualización automática de hora esté encendida con una conexión de red Wi-Fi adecuada. Abra la puerta del refrigerador y localice el botón para restablecer el visor en el lado interno de la puerta. Presione el botón y vuelva a presionarlo para restablecer el visor. Luego, la fecha y la hora serán sincronizadas por el servidor horario. Puede cambiar la zona horaria mediante el menú Zona horaria.
Acerca del dispositivo	<ul style="list-style-type: none"> Asegúrese de que la función Actualización de software esté encendida con una conexión de red Wi-Fi adecuada. Cuando hay actualizaciones disponibles, se activa el botón Actualizar. Una vez finalizadas las actualizaciones, el refrigerador se reinicia automáticamente. La información legal muestra el acuerdo de licencia de código abierto. Toque el elemento de la lista para abrir el aviso de licencia de código abierto.
Conexión fácil	<ul style="list-style-type: none"> Conexión fácil se puede utilizar con las aplicaciones de los teléfonos inteligentes Samsung y le permite conectar su dispositivo a la misma red Wi-Fi a la que está conectado el teléfono.

Funcionamiento

Autenticación del dispositivo	<ul style="list-style-type: none">• La autenticación del dispositivo se puede utilizar con las aplicaciones de Samsung Smart TV donde la información de privacidad del refrigerador se puede compartir con el televisor.• La disponibilidad de esta función depende del modelo del dispositivo.
Modo Limpiar pantalla	<ul style="list-style-type: none">• Actívelo para limpiar la pantalla sin activar ninguna aplicación.
Accesibilidad	<ul style="list-style-type: none">• Ajústelo para activar o desactivar la función de lector de pantalla para usuarios invidentes o con problemas de visión.
Manual en línea	<ul style="list-style-type: none">• El manual en línea le guía por distintos menús y aplicaciones que el refrigerador proporciona directamente en el visor.
Restablecimiento de los datos de fábrica	<ul style="list-style-type: none">• Toque Restablecer para reiniciar el refrigerador en el modo de restablecimiento de los datos de fábrica. Todos los datos de usuario se eliminarán de forma permanente. Los datos que se eliminarán incluyen: información de cuenta, memos, fotos y ajustes del usuario. <p> PRECAUCIÓN</p> <p>Una vez finalizado el restablecimiento de fábrica, no se podrán recuperar los datos de usuario.</p>
Gestión remota	<ul style="list-style-type: none">• Utilice Gestión remota para permitir a un representante de servicio que diagnostique problemas a distancia y provea soluciones.• La Gestión remota requiere una conexión Wi-Fi.• El menú Gestión remota no aparece en los modelos que no admiten la Gestión remota.

Restablecimiento del visor (solo para los modelos correspondientes)

Si el visor no funciona correctamente, restablézcalo. Esto podría resolver el problema.



1. Abra la puerta derecha del refrigerador y localice la cubierta del interruptor en la esquina superior derecha de la puerta.
2. Empuje hacia arriba la cubierta para revelar el interruptor de encendido.
3. Apague el interruptor y vuelva a encenderlo.
4. Vuelva a colocar completamente la cubierta del interruptor hasta oír un clic.

Funcionamiento

Samsung Smart Home

Instalación

Visite la tienda Google Play, Galaxy Apps o Apple App y busque "Samsung Smart Home". Descargue e instale la aplicación Samsung Smart Home provista por Samsung Electronics en su dispositivo inteligente.

NOTA

- La aplicación Samsung Smart Home se ha diseñado para Android 4.0 (ICS) o superior o iOS 8.0 o superior y está optimizada para teléfonos inteligentes Samsung (series Galaxy S y Galaxy Note).
- Para obtener un desempeño mejorado, la aplicación Samsung Smart Home estará sujeta a cambios sin previo aviso o interrupción del soporte según la política del fabricante
- Los sistemas de encriptación recomendados incluyen WPA/TKIP y WPA2/AES. No se admiten protocolos de autenticación Wi-Fi más nuevos o no estándar.
- Las redes inalámbricas pueden verse afectadas por los entornos de comunicación inalámbrica circundantes.
- Si su proveedor de servicios de Internet ha registrado la dirección MAC de su computadora o módem para identificación, su Samsung Smart Refrigerator puede dar error al conectarse a Internet. Si esto ocurre, comuníquese con su proveedor de servicios de Internet para recibir asistencia técnica.
- La configuración de firewall de su sistema de red puede impedir que su Samsung Smart Refrigerator acceda a Internet. Comuníquese con su proveedor de servicios de Internet para recibir asistencia técnica. Si el síntoma persiste, comuníquese con un centro de servicios Samsung local o el minorista.
- Para configurar el punto de acceso (PA) inalámbrico, consulte el manual de usuario del PA (enrutador).
- Los Samsung Smart Refrigerators son compatibles con Wi-Fi 2.4 GHz con los protocolos IEEE 802.11 b/g/n y Soft-AP. (Se recomienda IEEE 802.11 n.)
- Los enrutadores Wi-Fi no autorizados pueden no conectarse con los Samsung Smart Refrigerators correspondientes.

Cuenta Samsung

Debe registrar su cuenta Samsung para utilizar la aplicación. Si no tiene una cuenta Samsung, siga las aplicaciones en pantalla de la aplicación para crear una cuenta Samsung.

Cómo comenzar

1. Ejecute la aplicación Samsung Smart Home y luego inicie sesión con su cuenta Samsung. Los usuarios de iPhone deben proporcionar los datos de ingreso cada vez que accedan a la aplicación.
2. Seleccione **Agregar dispositivo** y toque **Refrigerador**.
3. Siga las instrucciones que aparecen en pantalla para brindar la información necesaria acerca del enrutador y luego toque **Siguiente**.
4. En el visor del refrigerador, acceda a **Ajustes** y luego seleccione **Conexión fácil**.
5. Después de completar el registro del dispositivo, el icono del refrigerador aparecerá en la aplicación Samsung Smart Home.
6. Toque el icono del refrigerador para abrir la página del refrigerador.

Aplicación del refrigerador

Control integrado

Puede supervisar y controlar su refrigerador en su casa y estando de viaje.

- Toque el icono **Refrigerador** en Samsung Smart Home para abrir la página del refrigerador.
- Controle el estado de operación o las notificaciones de su refrigerador y luego modifique las opciones o parámetros si fuera necesario.

NOTA

Algunas opciones o paréntesis del refrigerador pueden no estar disponibles para el control remoto.

Funcionamiento

Categoría	Sección	Descripción
Supervisión	Temperatura del refrigerador	Muestra la configuración actual de la temperatura del refrigerador.
	Temperatura del congelador	Muestra la configuración actual de la temperatura del congelador.
	Configuración de FlexZone™	Muestra la configuración de FlexZone™.
	Diagnóstico	Detecta funcionamientos anormales del refrigerador.
	Monitoreo de energía	Verifica el consumo de energía acumulado del refrigerador durante los últimos 180 días.
Funciones	Fabricación de hielo	Puede activar o desactivar esta función y verificar su configuración actual.
		También puede verificar el estado y avance de la fabricación de hielo.
	Refrigeración rápida	Puede activar o desactivar esta función y verificar su configuración actual.
Congelación rápida	Puede activar o desactivar esta función y verificar su configuración actual.	
Alarmas	Temperatura anormalmente elevada	Esta alarma se dispara cuando la temperatura del refrigerador, el congelador o FlexZone™ es demasiado elevada.
	Puerta abierta	Esta alarma se dispara si la puerta del refrigerador, el cajón del congelador o el cajón FlexZone™ está abierto durante un período específico.
	Desbordamiento del llenado automático de agua	Si la función Infusor de autollenado detecta un desbordamiento, se dispara esta alarma para avisar sobre dicho estado.
	Reemplazo del filtro de agua	Esta alarma le recuerda que es necesario reemplazar el filtro de agua.
Ver interior	Puede verificar la visualización interna del refrigerador y usar distintas etiquetas para registrar los periodos específicos de almacenamiento propios de cada producto que le ayuden en su administración.	
Lista de compras	Puede crear y editar una lista de compras de acuerdo con sus necesidades.	

Función SMART GRID (respuesta a la demanda)

Cuando el refrigerador opera en modo SMART GRID (respuesta a la demanda), la función de gestión de energía del refrigerador permite controlar el uso de la energía o demorar algunas funciones para ahorrar dinero cuando el precio de la energía o la demanda son más elevados.

NOTA

- Se puede desactivar la función SMART GRID (respuesta a la demanda) en cualquier momento utilizando la función de activación/desactivación de la anulación.
- Para usar la función SMART GRID (respuesta a la demanda), se necesita un contrato aparte con la compañía de servicio eléctrico.

Además, para usar la función Smart Grid (respuesta a la demanda), debe registrar el servicio en su compañía de electricidad. La compañía debe tener un EMS (sistema de gestión de energía) compatible con SEP (perfil de energía inteligente).

Uso de la función SMART GRID (respuesta a la demanda)

Esta función controla los precios de la energía y la información de la demanda desde la compañía de servicio eléctrico y envía notificaciones al refrigerador para que ejecute tareas de alto consumo energético fuera de las horas pico cuando el costo y la demanda de la electricidad son menores.

Si el refrigerador recibe una señal de control de la compañía de servicio eléctrico, mostrará los niveles **DAL** (L3) ~ **TALR** (L4) en el visor del refrigerador y controlará el consumo energético de acuerdo con el nivel.

Condición de excepción: Las señales de control **DAL** y **TALR** de una compañía de servicio eléctrico funcionan mientras se mantiene el desempeño del producto.

Si el refrigerador recibe una señal SMART GRID (respuesta a la demanda) (**DAL** o **TALR**), el refrigerador funcionará en el modo Delay Appliance Load (Demora en la carga del aparato) o Temporary Appliance Load Reduction (Reducción temporal de la carga del aparato).

- Demora en la carga del aparato (L3): el refrigerador responde a una señal **DAL** proporcionando una reducción de carga moderada durante el periodo de demora. Esta función controla las funciones que consumen mucha energía, como el ajuste del sistema de enfriamiento, la ejecución del ciclo de descongelación y la fabricación de hielo.
 - El modo **DAL** se desactiva automáticamente pasado el periodo de tiempo establecido por la señal **DAL** (máx. 4.5 horas) o cuando se activa la función de anulación.
- Reducción temporal de la carga del aparato (L4): El refrigerador responde a una señal **TALR** reduciendo drásticamente la carga durante un corto periodo de tiempo. Esta función reduce el consumo de energía deteniendo el compresor y controlando las funciones que consumen mucha energía, como el ciclo de descongelación y la fabricación de hielo.
 - El modo **TALR** (L4) se desactiva automáticamente pasado el periodo establecido (máx. 15 minutos) o cuando se activa la función de anulación. El modo se desactiva de inmediato y el refrigerador regresa al estado normal cuando la puerta se abre o cierra o se utiliza el dispensador.

Funcionamiento

Para verificar la dirección MAC

1. Toque el icono **Ajustes** en la pantalla de Inicio.
2. Desplácese hacia abajo hasta **Agregar dispositivo** y ábralo.
3. La pantalla muestra (entre otras cosas) la dirección MAC de Wi-Fi.

Modo de anulación

Cuando desee que el refrigerador ignore la señal SMART GRID (respuesta a la demanda) de la compañía de servicio eléctrico, puede activar el modo OVERRIDE (ANULAR).

Si activa el modo OVERRIDE (ANULAR), el refrigerador ignora la señal SMART GRID (respuesta a la demanda) y deja de estar controlado por la compañía de servicio eléctrico.

Activación y desactivación del modo de anulación

1. Toque el icono **Administrador del refrigerador**.
2. En la parte inferior de la pantalla del administrador del refrigerador, toque el icono **Ajustes del refrigerador**.
3. Toque **Respuesta a la demanda**.
4. Deslice el botón **Anulación de DAL/TALR** hasta la posición **ON** o **OFF**.

NOTA

- Como alternativa, puede activar o desactivar el modo ANULAR mediante la aplicación Samsung Smart Home y la función de gestión de energía. Ver la página siguiente.

Uso de la función de gestión de energía

La función de gestión de energía permite controlar y supervisar el estado del refrigerador Energy Management mediante la aplicación Smart Home para su comodidad.

NOTA

- Para usar las funciones del refrigerador Energy Management, en primer lugar debe instalar la aplicación correspondiente.
1. Estado de funcionamiento
 - Puede verificar los estados de DR y de Anulación.
 2. Informe del consumo de energía
 - Muestra el consumo de energía acumulado. Los datos del consumo de energía se actualizan cada 5 minutos.

NOTA

El informe del consumo de energía puede diferir de las especificaciones de consumo de energía del producto dependiendo del entorno de funcionamiento y de la cantidad y tipo de alimentos almacenados.

3. Capacidad de demora del descongelamiento
 - La función de capacidad de demora del descongelamiento ahorra energía demorando el descongelamiento hasta la hora especificada por el usuario. Se puede configurar la hora y esta función ahorrará energía durante el tiempo especificado en ciclos de 24 horas. Si no se establece la hora, funciona de acuerdo con la configuración de tiempo predeterminada. Las configuraciones de tiempo predeterminadas son las siguientes:
 - 6 a.m. a 10 a.m.: 1 de noviembre a 30 de abril.
 - 3 p.m. a 7 p.m.: 1 de mayo a 31 de octubre.

Para modificar la configuración de tiempo de la capacidad de demora del descongelamiento

Puede cambiar el ajuste de la hora de la capacidad de demora del descongelamiento en la aplicación.

Funcionamiento

Facilitación de acceso abierto a los requisitos del producto conectado

1. SGIP Open Standards (Smart Energy Profile 2.0 <http://www.csep.org/>)
 - Informe del consumo de energía
 - Respuesta a la demanda
2. Samsung OPEN API
 - Estado de funcionamiento, ajustes del usuario y mensajes
 - Estado de la fábrica de hielo: GET /devices/0/fridge/iceMaker
 - Alarma de puerta abierta: GET /devices/0/Door/openState
 - Estado DR: GET /devices/0/drlc
 - Capacidad de demora del descongelamiento
 - Establecer programación de la demora de descongelamiento: POST /devices/0/fridge/defrostreservations
 - Obtener programación de la demora de descongelamiento: GET /devices/0/fridge/defrostreservations
 - Borrar programación de la demora de descongelamiento: DELETE /devices/0/fridge/defrostreservations/<<id>>
 - Activar/desactivar demora de descongelamiento: PUT /devices/0/fridge

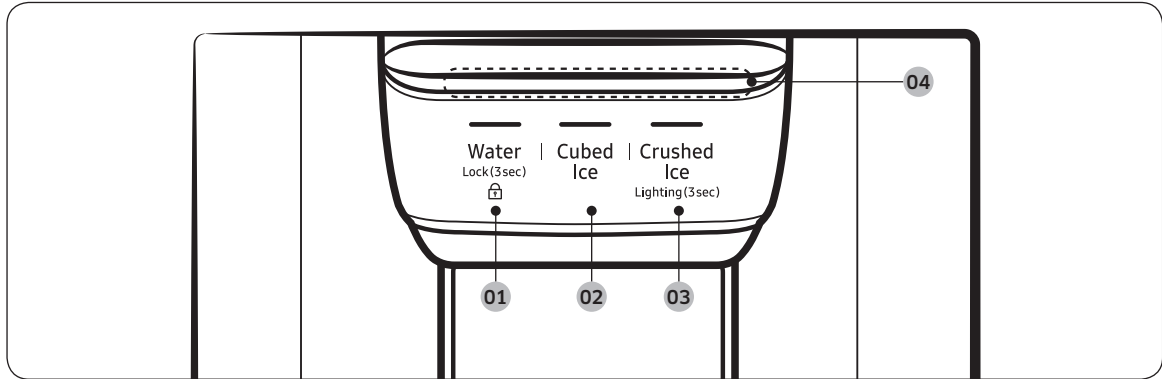
Recomendaciones relativas al reconocimiento de voz

Alrededor de la zona marcada como 'MIC' del visor del refrigerador hay un micrófono incorporado.

- Hable fuerte y claro hacia el micrófono incorporado a menos de 1 m del visor del refrigerador.
- Es posible que el reconocimiento de voz no se active a una distancia superior a 1 m o si el tono de voz es bajo.
- Hable con claridad y con un ritmo regular. Reduzca el ruido ambiental, como el del televisor de la sala.

Funcionamiento

Panel del dispensador



01 Water (Agua) / Lock (Bloqueo)

02 Cubed Ice (Hielo en cubos)

03 Crushed Ice (Hielo triturado) / Lighting (Luz)

04 Luz ambiente del dispensador

01 Agua / Bloqueo (3 s)

Water (Agua)	Para dispensar agua fría presione Water (Agua) . Se enciende el indicador correspondiente.
Lock (Bloqueo) (Panel del dispensador/ Palanca del dispensador)	Para impedir el uso de los botones del panel del dispensador y de la palanca del dispensador, mantenga presionado Water (Agua) durante más de 3 segundos. Si mantiene presionado el botón durante más de 3 segundos nuevamente, el bloqueo del dispensador se desactivará.

02 Hielo en cubos

Cubed Ice (Hielo en cubos)	Presione Cubed Ice (Hielo en cubos) para dispensar hielo en cubos. Se enciende el indicador correspondiente.
----------------------------	---

03 Hielo triturado / Luz (3 s)

Crushed Ice (Hielo triturado)	Presione Crushed Ice (Hielo triturado) para dispensar hielo triturado. Se enciende el indicador correspondiente.
Lighting (Luz)	En forma predeterminada, la luz del dispensador se enciende únicamente cuando se lo utiliza. Para mantener la luz del dispensador encendida, mantenga Crushed Ice (Hielo triturado) presionado durante 3 segundos. Para apagar la luz, vuelva a mantener Crushed Ice (Hielo triturado) presionado durante 3 segundos.

04 Luz ambiente del dispensador

La **Luz ambiente del dispensador** se enciende en los siguientes casos:

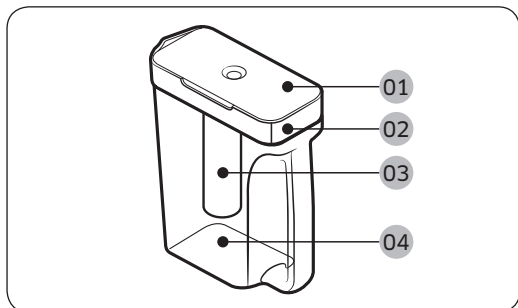
- Cuando empuja la palanca del dispensador con el bloqueo del dispensador desactivado
 - Empuje la palanca del dispensador y la luz ambiente del dispensador se encenderá. Suelte la palanca y la luz se apagará luego de un rato.
- Cuando el tanque de agua se llena con agua con la función Infusor de autollenado activada
 - La luz ambiente del dispensador permanece encendida.

Funcionamiento

Funciones especiales

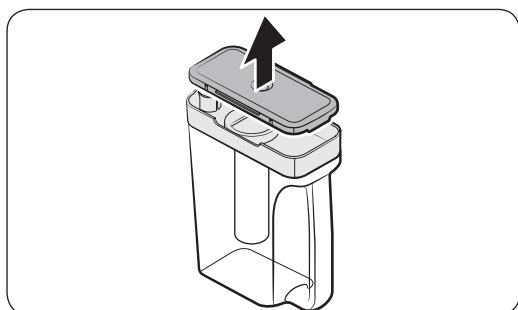
Tanque de agua (Infusor de autollenado)

La función de llenado automático de agua le permite preparar té helado en el refrigerador.

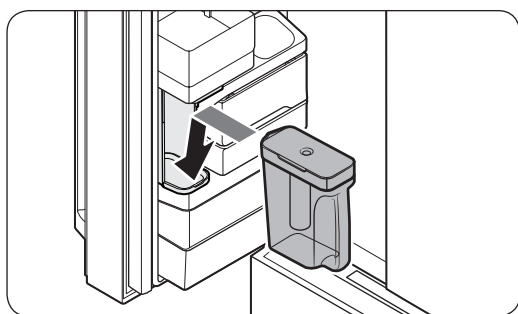


- 01 Tapa
- 02 Boca sellada
- 03 Infusor
- 04 Cuerpo

Para llenar el tanque de agua



1. Sujete una de las ranuras de la manija de la boca sellada y tire hacia arriba para abrir la tapa.
2. Coloque hojas de té a gusto en el infusor.

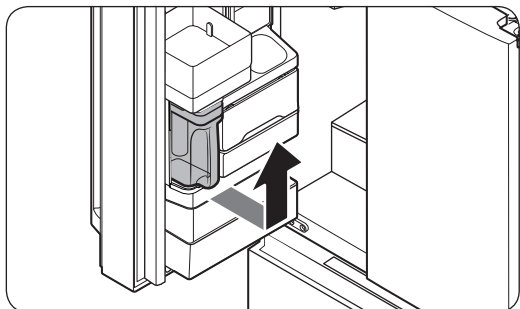


3. Active la función Infusor de autollenado en el panel principal. Abra la puerta izquierda del refrigerador y luego inserte el tanque de agua en el soporte. Empújelo en línea recta como se muestra en la ilustración de la izquierda.

⚠ PRECAUCIÓN

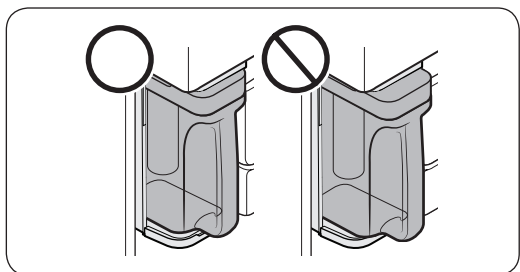
Asegúrese de que el infusor encaje en el soporte del tanque de agua.

4. Cierre la puerta. El infusor comenzará a llenarse con agua fría un poco después.

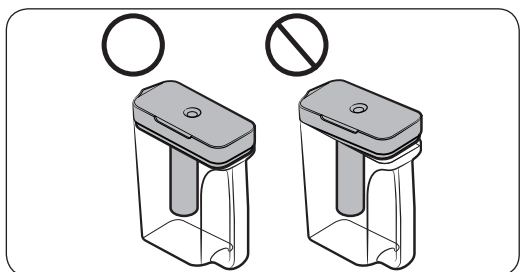


5. Para servir el té, abra la puerta y retire el tanque de agua. Tire de este en línea recta.

⚠ PRECAUCIÓN

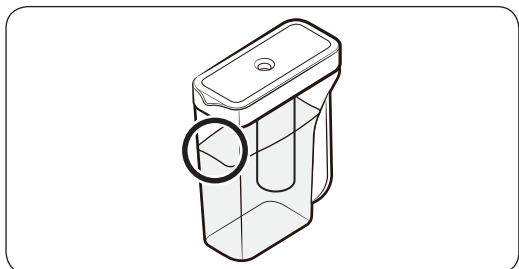


Para evitar que el tanque de agua se caiga o pierda, asegúrese de que encaje bien en el soporte del tanque de agua.



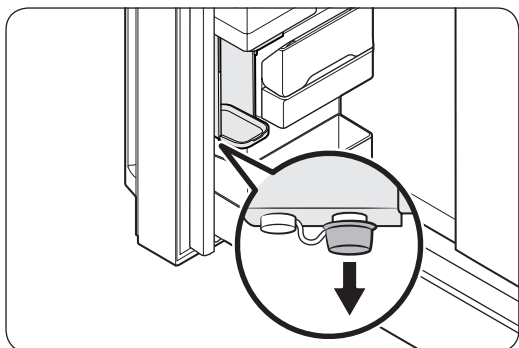
Para evitar que el tanque de agua rebase o pierda, asegúrese de que la **boca sellada** esté correctamente colocada.

Funcionamiento



NOTA

- Si la parte delantera (área marcada específicamente) del tanque de agua tiene mucha humedad, es posible que el tanque de agua no se llene completamente. Quite la humedad e intente nuevamente.
- El llenado automático de agua detendrá el suministro de agua al tanque si éste no se llena después de un determinado periodo de tiempo. Si esto ocurriera, verifique que la tubería de agua esté conectada correctamente. Retire el tanque de agua, insértelo nuevamente y vuelva a intentarlo.



NOTA

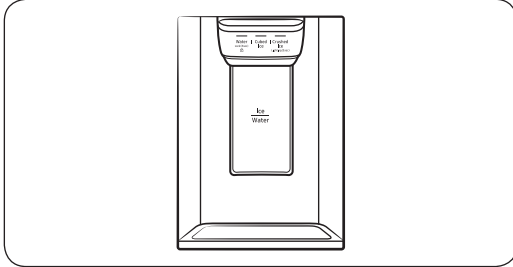
- Limpie el soporte del infusor si este rebasa o pierde.
- Si la tapa de goma está abierta, caerá agua.
- Si hay una fuga, aparece un mensaje de aviso y se muestra "Desbordamiento" en el estado del llenado automático de agua. Si hay una fuga, abra la tapa de goma para que el agua drene. El estado de "Desbordamiento" cambiará. Sin embargo, si el estado de "Desbordamiento" permanece, puede deberse a una falla del sistema. Comuníquese con el Centro de Servicio Samsung local.

Dispensador de agua/hielo

Usando el dispensador, puede obtener agua con o sin hielo.

El dispensador de agua ofrece 3 opciones: agua fría, hielo en cubos y hielo triturado. Para dispensar agua fría, presione **Agua** en el panel del dispensador. Coloque un vaso para agua bajo el dispensador y presione la palanca del dispensador.

Para dispensar agua con hielo



1. Con la fábrica de hielo activada, presione **Hielo en cubos** o **Hielo triturado** para seleccionar el tipo de hielo.
2. Coloque un vaso para agua bajo el dispensador y presione la **palanca del dispensador** con el vaso. El hielo saldrá del dispensador.
3. Presione **Agua** para seleccionar agua.
4. Presione la **palanca del dispensador** con el vaso. Saldrá agua del dispensador.

NOTA

- El dispensador dejará de dispensar si se mantiene la palanca presionada durante aproximadamente 1 minuto. Para dispensar más agua, libere y presione la palanca nuevamente.
- Asegúrese de que el vaso esté alineado con el dispensador para evitar que el agua se derrame.
- Si no utiliza el dispensador de agua durante 2 o 3 días, el agua dispensada puede presentar un sabor u olor extraño. No se trata de una falla del sistema. Descarte los primeros 1 o 2 vasos de agua.

Fábrica de hielo

El refrigerador cuenta con una fábrica de hielo incorporada que dispensa hielo automáticamente para que pueda disfrutar de agua filtrada con hielo en cubos o triturado.

Fabricación de hielo

Una vez que haya instalado el refrigerador y lo haya enchufado, siga estas instrucciones a fin de asegurar la fabricación adecuada de hielo y de mantener la cubeta de hielo llena:

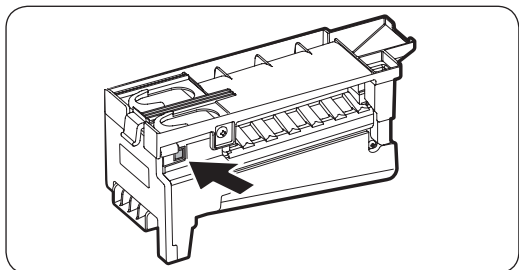
1. Permita que el refrigerador funcione durante al menos 24 horas para asegurar un desempeño óptimo.
2. Sirva los primeros 4 a 6 cubos de hielo en un vaso.
3. Espere otras 8 horas y sirva otros 4 a 6 cubos de hielo.
4. Luego, espere otras 16 horas y sirva el primer vaso lleno de hielo.

NOTA

- Si consume todo el hielo de una vez, debe esperar 8 horas antes de servir los primeros 4 a 6 cubos. Esto garantiza que la cubeta de hielo se llene adecuadamente.
- Los cubos de hielo que se generan rápidamente pueden tener un aspecto blanquecino, lo cual es normal.

Funcionamiento

Diagnóstico



Si el hielo no sale, controle la fábrica de hielo.

1. Presione **Prueba** sobre el lateral de la fábrica de hielo. Escuchará una señal sonora (campana) al presionar el botón.
2. Escuchará otra señal sonora si la fábrica de hielo funciona correctamente.

⚠ PRECAUCIÓN

- Si la señal sonora de fabricación de hielo suena repetidamente, comuníquese con el instalador de la tubería de agua o un Centro de Servicio Samsung local.
- No presione el botón **Prueba** continuamente una vez que la charola de hielo esté llena de hielo o agua. El agua se puede desbordar o el hielo puede atascarse.
- No ponga alimentos en la cubeta de hielo. Los alimentos congelados pueden dañar la fábrica de hielo, en especial al abrir o cerrar la puerta.
- Cuando el refrigerador recupera el suministro eléctrico después de un corte, la cubeta de hielo puede contener una mezcla de cubos de hielo derretidos y pegados, lo que puede evitar que la fábrica de hielo funcione adecuadamente. Para evitarlo, asegúrese de vaciar la cubeta de hielo para poder llenarla con cubos de hielo nuevos.
- No coloque los dedos ni otros objetos en la salida del dispensador o de la fábrica de hielo. Es posible que provoque lesiones o daños materiales.
- Cuando inserte nuevamente la charola de la fábrica de hielo, asegúrese de que esté bien centrada. De lo contrario, se podría trabar.

Si apaga la fábrica de hielo

Para apagar la fábrica de hielo, toque **Administrador del refrigerador > Ajustes del refrigerador > Fabricación de hielo** en la Pantalla de Inicio y seleccione Off (Apagado). Asegúrese de vaciar la cubeta de hielo. Los cubos de hielo restantes pueden pegarse y hacer que sea difícil retirarlos.

Para retirar la cubeta de hielo, consulte la sección **Cubeta de hielo** en la página 60.

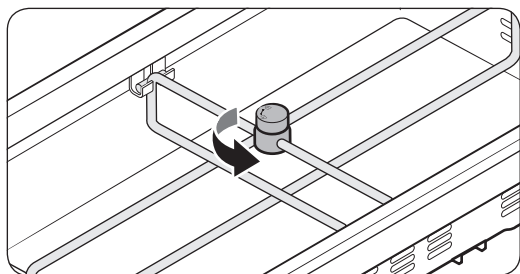
📄 NOTA

- La extracción de la cubeta de hielo no afecta el desempeño térmico y mecánico del refrigerador.

Turbidez del agua

El agua provista al refrigerador pasa por un filtro de centro alcalino. Durante el proceso de filtración, aumenta la presión del agua y esta se satura de oxígeno y nitrógeno. Esto hace que el agua parezca turbia temporalmente cuando se la sirve. Esto es normal y el agua aparecerá transparente después de unos segundos.

Separador de FlexZone™



Puede modificar la posición del separador. Para ello, destrabe el separador girando el dial del separador en el sentido contrario al de las agujas del reloj. Luego, mueva las barras de ancho y alto según corresponda. Cuando termine, gire el dial en el sentido de las agujas del reloj para trabar el separador.

NOTA

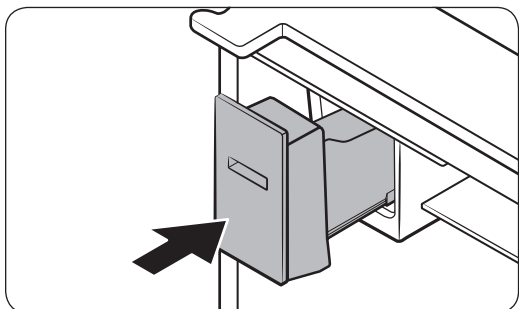
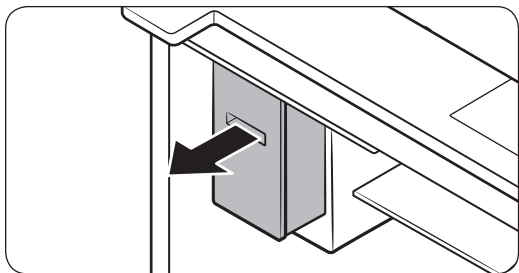
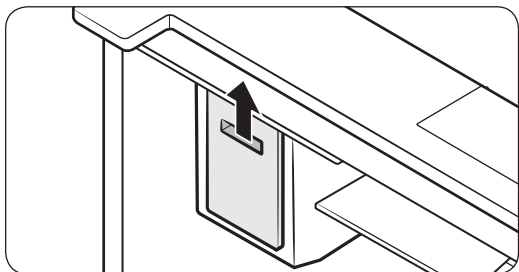
Si la traba del separador no funciona, limpie las barras para quitarles la humedad.

Mantenimiento

Manipulación y cuidado

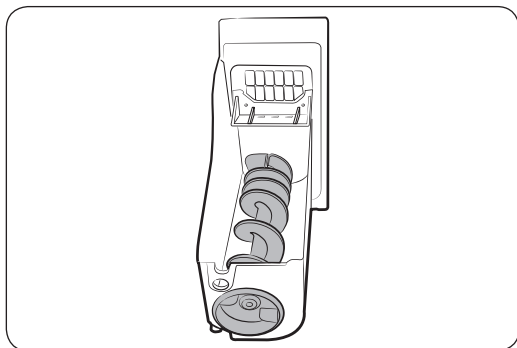
Cubeta de hielo

Si no sirve hielo durante un período prolongado, el hielo puede apelmazarse en la cubeta. Si esto ocurriera, retire y vacíe la cubeta de la fábrica de hielo.



1. Sosteniendo la manija de la cubeta de hielo, levante la cubeta ligeramente y luego retírela hacia adelante.

2. Extraiga los cubos de hielo restantes y coloque la cubeta de hielo en su lugar.



Si la cubeta de hielo no estuviera bien insertada, gire el tornillo 90 grados e inténtelo nuevamente.

⚠ PRECAUCIÓN

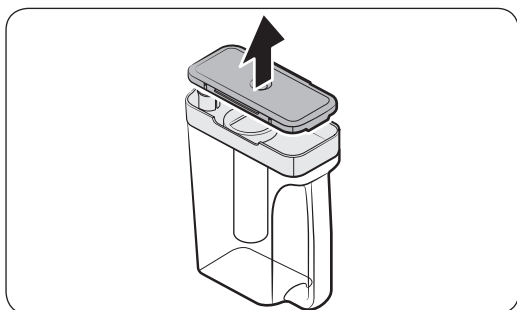
- No use fuerza excesiva sobre cubierta de la cubeta. La cubierta puede romperse.
- No cierre la puerta por la fuerza. Puede derramarse agua sobre la fábrica de hielo.
- Para evitar lesiones, asegúrese de limpiar el hielo o el agua que pueda haberse derramado en el suelo.
- A fin de evitar lesiones o accidentes, no permita que los niños jueguen con el dispensador de agua ni la fábrica de hielo.
- No coloque la mano o ni ningún objeto en el conducto de hielo. Es posible que provoque lesiones o daños materiales.
- Utilice únicamente la cubeta de hielo provista. Las cubetas de hielo de terceros pueden provocar una falla del sistema.
- Utilice únicamente agua potable conectada a la tubería de suministro de agua.

📄 NOTA

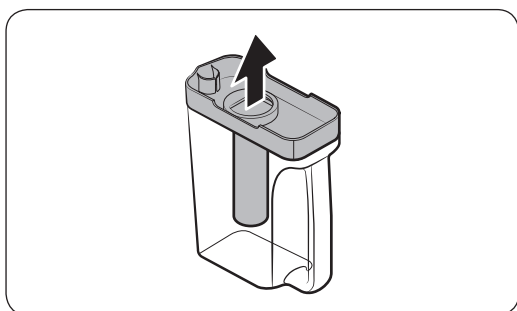
- La presión necesaria para la fabricación de hielo es de entre 20 psi y 125 psi.
- Los ruidos de la fábrica de hielo durante el proceso de fabricación son normales.
- Cuando la puerta esté abierta, ni la fábrica de hielo ni el dispensador de agua funcionan.

Mantenimiento

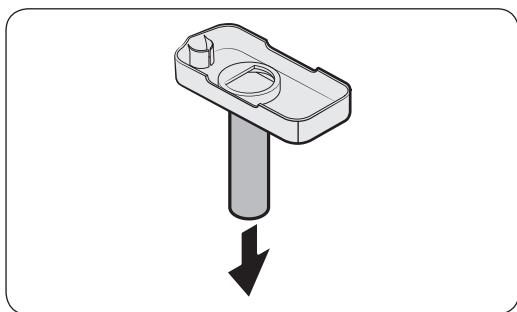
Infusor de autollenado



1. Sujete una de las ranuras de la manija de la boca sellada y tire hacia arriba para retirar.



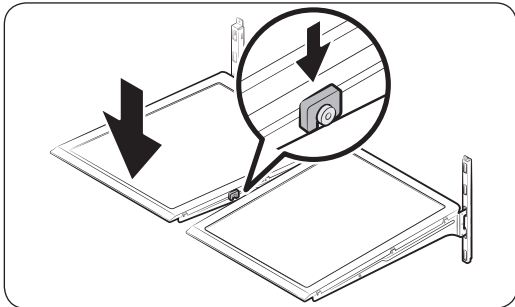
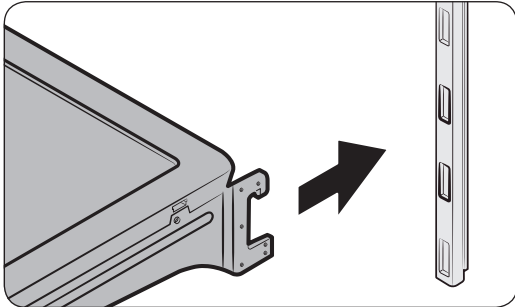
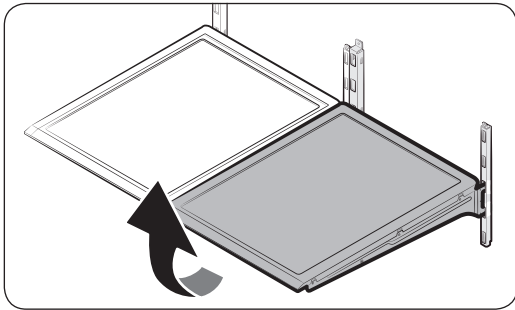
2. Sujete ambos lados de la boca sellada y luego levántela para retirarla.



3. Quite el infusor de la boca sellada girándolo ligeramente.
4. Limpie el infusor con agentes neutros y agua corriente. Enjuague y seque bien.
5. Vuelva a ensamblar el llenado automático de agua en orden inverso al desensamble.

Estantes del refrigerador

El aspecto de los estantes varía según el modelo.



- Para retirar un estante, abra la puerta correspondiente por completo. Sostenga la parte delantera del estante y luego levántelo suavemente y deslícelo hacia afuera.

NOTA

No levante el estante por completo al retirar o reinsertar el estante. La pared posterior del refrigerador podría abollarse.

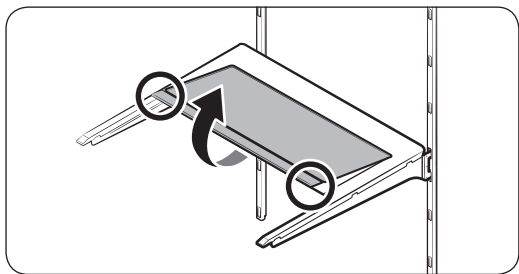
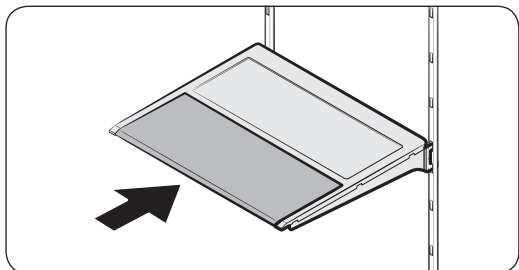
- Para insertarlo nuevamente, sostenga el estante en ángulo de modo que la parte frontal esté más elevada que la trasera y luego inserte el gancho superior en la muesca superior del estante. Luego, baje el estante e inserte el gancho inferior del estante en la muesca inferior del estante.

PRECAUCIÓN

- Los estantes de vidrio templado son pesados. Tenga cuidado al retirarlos.
- El estante debe insertarse correctamente. No lo coloque al revés.
- Los contenedores de vidrio pueden rayar la superficie de los estantes de vidrio.

Mantenimiento

Estante plegable

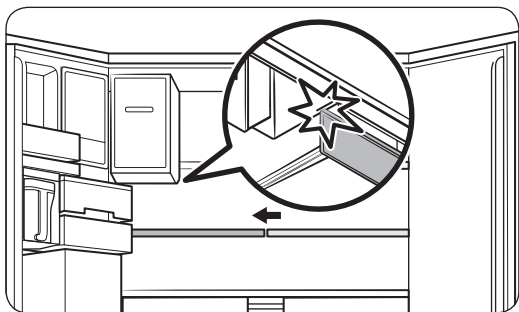


Para retirarlo, deslice el frente del estante hacia arriba para que se pliegue. Luego, levántelo suavemente y tire hacia afuera. Para volver a colocarlo, coloque el estante en el marco de la unidad principal y luego, presiónelo para desplegarlo.

⚠ PRECAUCIÓN

Después de deslizar el estante plegable y plegarlo, puede retirar el frente del estante según su conveniencia. Si usa el estante sin retirar el frente del estante, tenga presente que este puede separarse de la parte posterior; tenga cuidado de la posible separación.

Ubicación recomendada para el estante plegable



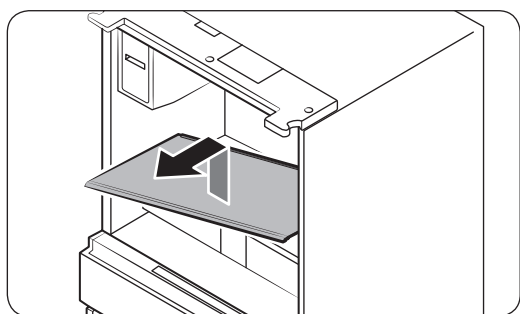
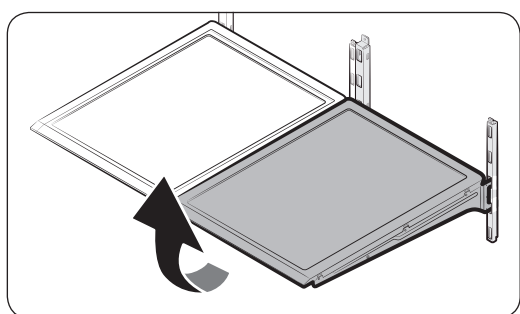
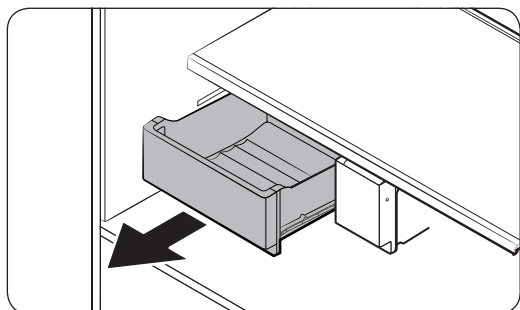
El estante plegable se pliega desde el centro, dándole más espacio de almacenamiento.

- Coloque el estante del lado derecho del refrigerador. El estante no se pliega completamente si se coloca del lado izquierdo.
- Para plegarlo, empuje el frente del estante hacia adentro de modo que se pliegue desde el medio.

⚠ PRECAUCIÓN

No levante o gire el estante plegable rápidamente para quitar alimentos ubicados debajo de este, ya que podría caerse.

Estante para vegetales



1. Deslice hacia afuera el cajón de vegetales izquierdo.

2. Abra la puerta completamente y retire el estante.

3. Mientras sujeta con una mano el estante de vegetales, deslícelo hacia afuera con la otra mano.

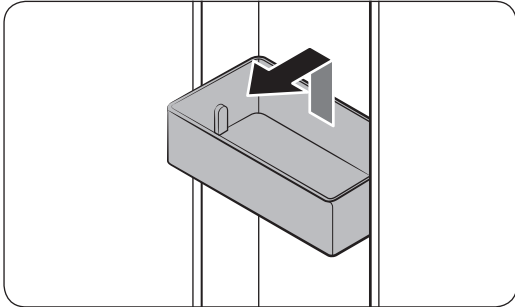
NOTA

Para utilizar el espacio que queda después de retirar el estante plegable, extraiga el estante de vegetales.

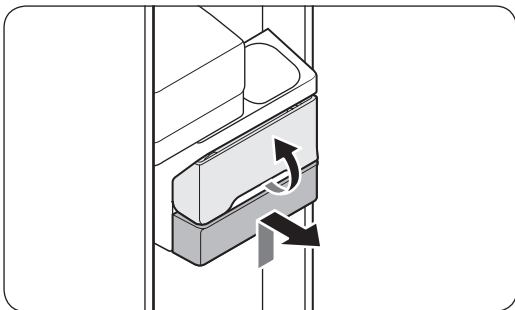
Para insertarlo nuevamente, realice el procedimiento en el orden inverso.

Mantenimiento

Compartimientos de las puertas



- Para retirar el **compartimiento superior de la puerta**, sostenga ambos lados delanteros del compartimiento y levántelo suavemente para retirarlo.
- Para volver a colocarlo, coloque el **compartimiento de la puerta** ligeramente por encima de su ubicación final asegurándose de que la parte posterior del compartimiento esté contra la puerta. Sostenga la parte posterior del **compartimiento de la puerta** con ambas manos y presiónelo para que encaje bien.

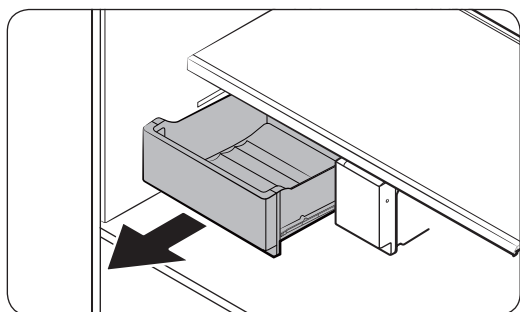


PRECAUCIÓN

- No retire un compartimiento lleno de alimentos. Antes, vacíe el compartimiento.
- Tenga cuidado al abrir la puerta si el compartimiento inferior contiene botellas grandes que podrían caer.
- No permita que los niños jueguen con los compartimientos. Las esquinas filosas del compartimiento pueden causar lesiones.

Cajones del refrigerador

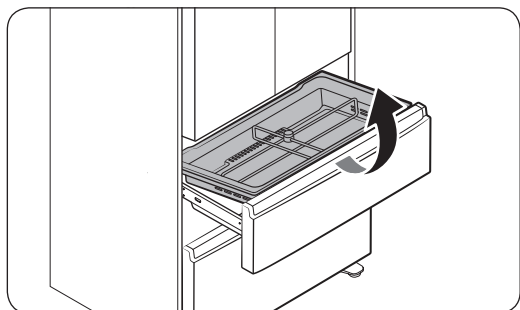
Cajones de vegetales/frutas



Levante suavemente el frente del cajón y deslícelo hacia afuera.

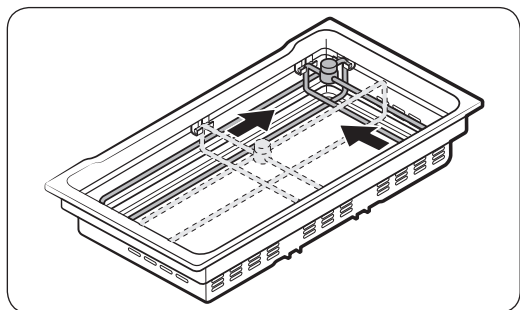
- Se recomienda retirar los compartimentos de la puerta antes de retirar el cajón. Esto es para evitar que se dañen.
- Para volver a colocarlo, inserte el cajón en los rieles y deslícelo hacia adentro.

Cesta FlexZone™



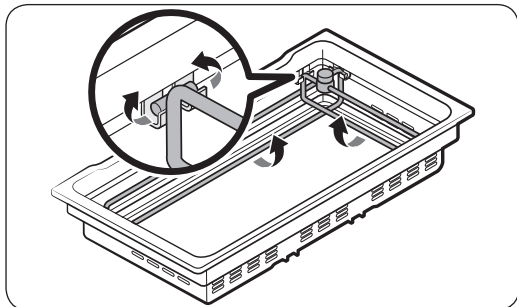
- Para retirarla, abra el cajón FlexZone™ completamente. Levante la cesta FlexZone™ y tire hacia afuera con ambas manos.
- Para volver a colocarla, abra el cajón FlexZone™ completamente. Inclinando el frente de la cesta hacia arriba, inserte la parte posterior de la cesta en el conjunto de riel. Baje el frente hasta que la cesta se acomode.
- Si la traba del separador no funciona, limpie las barras para quitarles la humedad.

Para retirar el separador y la placa para enfriamiento metálica (solo para los modelos correspondientes) de la cesta FlexZone™

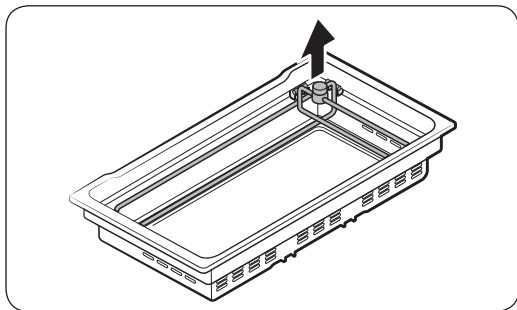


1. Deslice el separador hasta el final como se muestra.

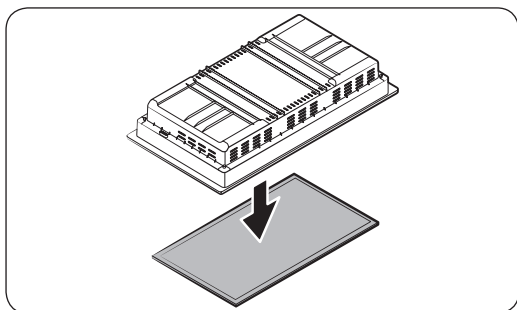
Mantenimiento



2. Puesto que el separador tiene barras a lo ancho y a lo largo, empuje la parte inferior de cada barra para destrabarlo. Consulte las figuras para obtener más detalles.



3. Sostenga el separador y levántelo para separarlo.



4. Dé vuelta la cesta para retirar la placa para enfriamiento metálica.

PRECAUCIÓN

La cesta y la placa para enfriamiento metálica son pesadas. Tenga cuidado al manipularlas. Una manipulación negligente puede causar lesiones personales o daños materiales.

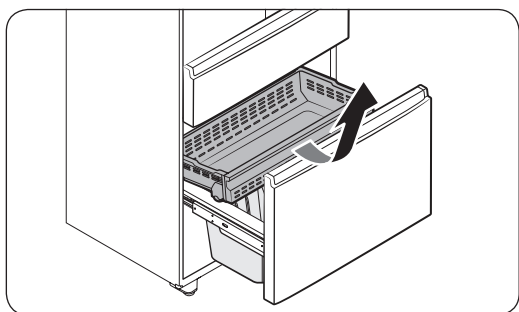
Para volver a colocar la placa para enfriamiento metálica

La placa se coloca en el orden inverso a la extracción.

Vuelva a colocar el separador firmemente en la cesta FlexZone™ hasta oír un clic.

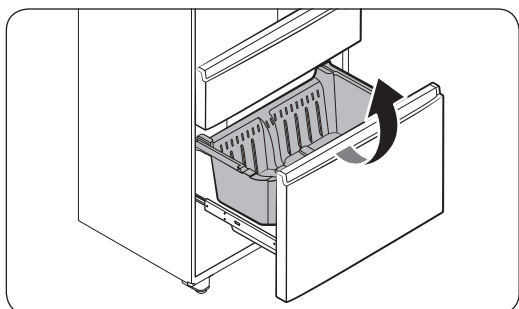
Cestas del congelador

Cesta superior



- Para retirarla, abra el cajón del congelador completamente. Empuje la **cesta superior** hasta el final y luego levántela para quitarla.
- Para volver a colocarla, alinee las ruedas delanteras de la **cesta superior** con el extremo de la **cesta inferior**. Deslice la **cesta superior** hacia adelante.

Cesta inferior



- Para retirarla, primero debe retirar la **cesta superior**. Luego, incline el frente de la **cesta inferior** hacia arriba para retirarla.
- Para volver a colocarla, inserte primero la parte posterior de la cesta en el **conjunto de riel**.

⚠ PRECAUCIÓN

- No gire la cesta al retirarla o colocarla. Se puede rayar.
- Para evitar lesiones personales, daños materiales o sofocación, mantenga a los niños alejados de las cestas del congelador que han sido retiradas.
- No retire el separador.
- Coloque las ruedas de la cesta superior en el extremo de los rieles de la cesta inferior. Luego, deslice la cesta superior completamente hacia adelante. De lo contrario, el cajón no se podrá abrir ni cerrar correctamente, lo que provocará la acumulación de escarcha.

Mantenimiento

Limpieza

Interior y exterior

ADVERTENCIA

- No limpie el refrigerador con benceno, disolvente, detergente para automóviles/hogarero o Clorox™ (blanqueador). Pueden dañar la superficie del refrigerador y provocar un incendio.
- No rocíe agua sobre el refrigerador. Puede provocar una descarga eléctrica.

Utilice un paño seco regularmente para retirar cualquier sustancia extraña como polvo o agua de las terminales del enchufe de alimentación y los puntos de contacto.

1. Desenchufe el cable de alimentación
2. Utilice un paño húmedo que no deje pelusa o una toalla de papel para limpiar el interior y el exterior del refrigerador.
3. Al terminar, utilice un paño seco o toalla de papel para secarlo bien.
4. Enchufe el cable de alimentación.

Dispensador de hielo/agua

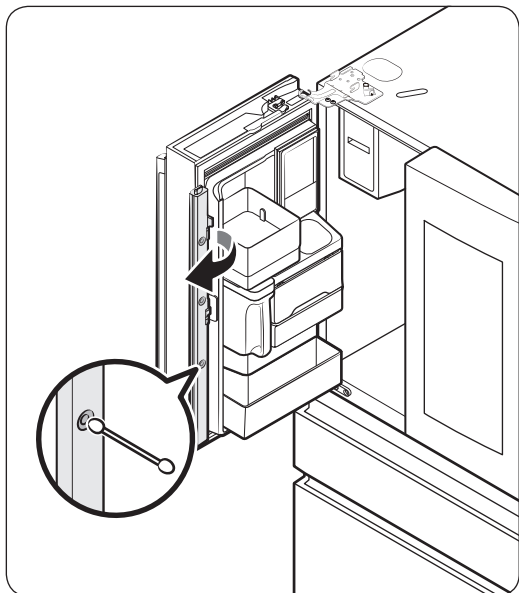
PRECAUCIÓN

Cuando está seleccionada la opción de hielo triturado, es posible que se acumulen fragmentos de hielo residual en el recipiente de hielo. Para evitarlo, quite el hielo residual del recipiente con un paño suave y limpio.

Burletes de goma

En caso de que los burletes de goma de una puerta se ensucien, es posible que la puerta no cierre bien y el refrigerador disminuya su rendimiento y eficacia. Utilice un detergente suave y un paño húmedo para limpiar los burletes de goma. Luego, séquelos bien con un paño.

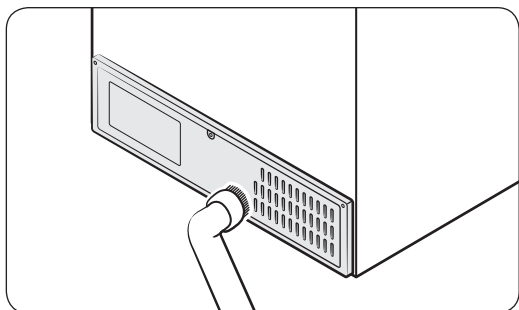
Cámara de visión interna



NOTA

Use un hisopo de algodón o un paño de microfibra para limpiar la cámara de la puerta del lado izquierdo del refrigerador.

Panel posterior



Para mantener los cables y las partes expuestas del panel posterior libres de polvo, aspire el panel una o dos veces al año.

⚠ PRECAUCIÓN

No retire la cubierta del panel posterior. Podría producirse una descarga eléctrica.


Mantenimiento

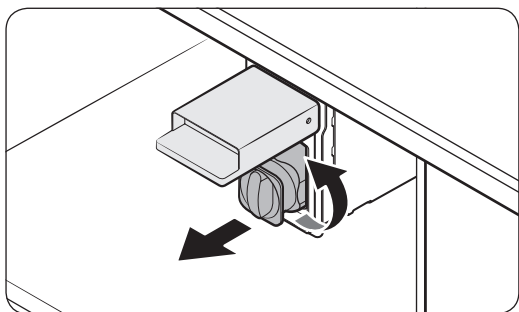
Reemplazo

Filtro de agua

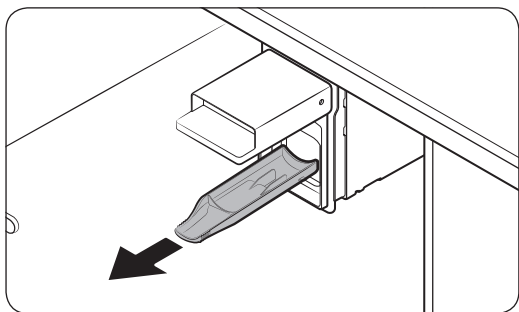
⚠ ADVERTENCIA

- No utilice filtros de agua de terceros. Utilice únicamente filtros provistos o aprobados por Samsung.
- Los filtros no aprobados pueden provocar pérdidas y daños al refrigerador y descargas eléctricas. Samsung no se hace responsable por los daños que puedan generarse a partir del uso de filtros de terceros.

El indicador de restablecimiento del filtro () se pone rojo para recordarle que es momento de cambiar el filtro. Antes de reemplazar el filtro, asegúrese de que la tubería de agua esté cerrada.

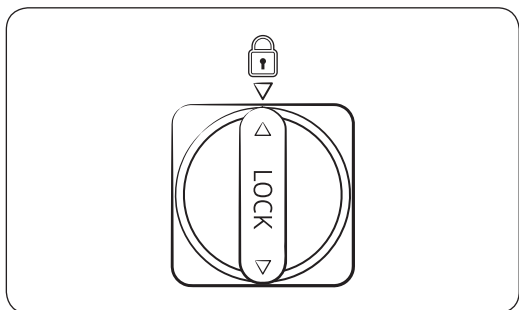
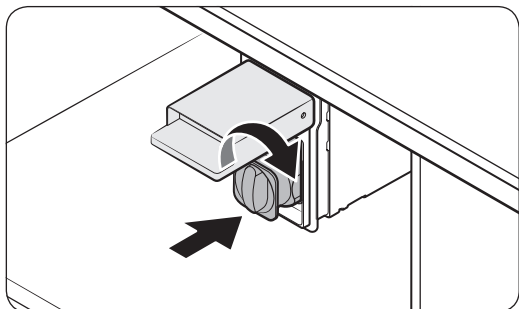


1. Mientras abre la cubierta del filtro, gire la perilla del cartucho del filtro en el sentido contrario a las agujas del reloj unos 90 grados (giro de $\frac{1}{4}$). El cartucho del filtro se destraba.
2. Tire para retirar el cartucho.
 - Si el filtro de agua estuviera muy contaminado, es posible que el cartucho no pueda retirarse fácilmente. En ese caso, haga fuerza para retirarlo.
 - A fin de evitar pérdidas de agua a través de la abertura, tire del cartucho en línea recta al retirarlo.



📄 NOTA

A fin de evitar desbordes, vacíe y seque la charola del filtro de agua.



3. Inserte un nuevo cartucho de filtro. Utilice únicamente filtros provistos o aprobados por Samsung.
4. Gire la perilla del filtro en el sentido de las agujas del reloj para trabarlo en su posición.
5. En la pantalla de inicio, toque **Administrador del refrigerador > Ajustes del refrigerador > Filtro** y, luego, seleccione **RESTABLECER**. El indicador del filtro se apaga.
6. Al finalizar el reemplazo del filtro, abra la válvula de agua y deje correr el agua por el dispensador durante unos 7 minutos. De esta forma se eliminan las impurezas y el aire de la tubería de agua.

NOTA

- Los filtros nuevos pueden hacer que brote agua del dispensador brevemente. Esto se debe al ingreso de aire en la tubería de agua.
- El proceso de reemplazo puede hacer que el dispensador de agua gotee por un período breve. Si gotea, simplemente limpie el agua del piso con una toalla seca.

Sistema de filtración por ósmosis inversa

La presión de agua del sistema de suministro hacia un sistema de filtración por ósmosis inversa debe ser de entre 35 psi y 120 psi (241 kPa y 827 kPa).

La presión de agua del sistema de filtración de agua por ósmosis inversa a la tubería de agua fría del refrigerador debe ser de al menos 40 psi (276 kPa). Si la presión de agua estuviera por debajo de estas especificaciones:

- Verifique si el filtro de sedimentos en el sistema de ósmosis inversa está bloqueado. Reemplace el filtro si fuera necesario.
- Llene nuevamente de agua el tanque de agua del sistema de ósmosis inversa.
- Si el refrigerador cuenta con un filtro de agua, es posible que la presión de agua disminuya aún más al usarlo con un sistema de ósmosis inversa. Retire el filtro de agua.

Para obtener más información sobre el mantenimiento, comuníquese con un plomero profesional.

Mantenimiento

Pedir un filtro nuevo.

Para comprar un nuevo filtro de agua, comuníquese con un Centro de Servicio Samsung local o visite el sitio web www.samsungparts.com.

Lámparas de LED

Para reemplazar las lámparas del refrigerador, comuníquese con un centro de servicios Samsung local.

ADVERTENCIA

- El usuario no debe reemplazar las lámparas. No intente reemplazar la lámpara usted mismo. Puede provocar una descarga eléctrica.

Solución de problemas

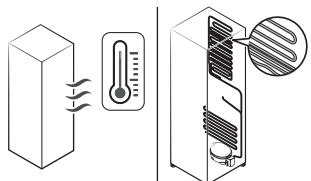
Antes de solicitar servicio técnico revise los siguientes puntos de verificación. En el caso de solicitudes de servicio para situaciones normales (cuando no existe ningún defecto), se exigirá un cargo a los usuarios.

General

Temperatura

Síntoma	Causas posibles	Solución
El refrigerador/ congelador no funciona. La temperatura del refrigerador/congelador es elevada.	<ul style="list-style-type: none">El cable de alimentación no está conectado correctamente.	<ul style="list-style-type: none">Enchufe correctamente el cable de alimentación.
	<ul style="list-style-type: none">El control de temperatura no está configurado correctamente.	<ul style="list-style-type: none">Baje la temperatura.
	<ul style="list-style-type: none">El refrigerador está ubicado cerca de una fuente de calor o expuesto a la luz solar directa.	<ul style="list-style-type: none">Mantenga el refrigerador alejado de la luz solar directa o de las fuentes de calor.
	<ul style="list-style-type: none">No hay espacio suficiente entre el refrigerador y las paredes y gabinetes cercanos.	<ul style="list-style-type: none">Asegúrese de que haya un espacio mínimo de 2.5 pulgadas (5 cm) entre la parte posterior y los lados del refrigerador y las paredes y gabinetes cercanos.
	<ul style="list-style-type: none">El modo de monitoreo de energía está activado.	<ul style="list-style-type: none">Desactive el modo de monitoreo de energía.
	<ul style="list-style-type: none">El refrigerador está demasiado lleno. Los alimentos bloquean las rejillas de ventilación del refrigerador.	<ul style="list-style-type: none">No sobrecargue el refrigerador. Evite que los alimentos bloqueen la ventilación.
El refrigerador/ congelador enfría demasiado.	<ul style="list-style-type: none">El control de temperatura no está configurado correctamente.	<ul style="list-style-type: none">Eleve la temperatura.

Solución de problemas

Síntoma	Causas posibles	Solución
La pared interna está caliente.	<ul style="list-style-type: none"> El refrigerador cuenta con tuberías a prueba de calor en la pared interna. 	<ul style="list-style-type: none"> A fin de evitar que se forme condensación, el refrigerador cuenta con tuberías a prueba de calor en los ángulos frontales. Si la temperatura aumenta, es posible que el equipo no funcione eficazmente. No se trata de una falla del sistema. 

Olores

Síntoma	Causas posibles	Solución
El refrigerador huele mal.	<ul style="list-style-type: none"> Alimentos descompuestos. 	<ul style="list-style-type: none"> Limpie el refrigerador y retire los alimentos descompuestos.
	<ul style="list-style-type: none"> Alimentos con olores fuertes. 	<ul style="list-style-type: none"> Asegúrese de que los alimentos con olores fuertes estén envueltos al vacío.

Escarcha

Síntoma	Causas posibles	Solución
Escarcha alrededor de las rejillas de ventilación.	<ul style="list-style-type: none"> Los alimentos bloquean las rejillas de ventilación. 	<ul style="list-style-type: none"> Asegúrese de que ningún alimento bloquee las rejillas de ventilación del refrigerador.
Escarcha en las paredes internas.	<ul style="list-style-type: none"> La puerta está mal cerrada. 	<ul style="list-style-type: none"> Asegúrese de que ningún alimento bloquee la puerta. Limpie las juntas de la puerta.
Las frutas o los vegetales se congelan.	<ul style="list-style-type: none"> Las frutas o los vegetales están guardados en el cajón FlexZone. 	<ul style="list-style-type: none"> No debe almacenar casi ningún tipo de frutas o vegetales en el cajón FlexZone.

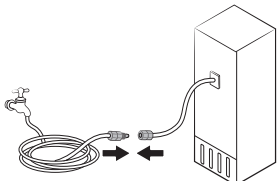
Condensación

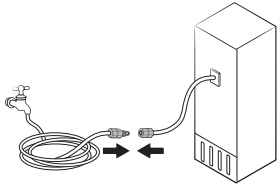
Síntoma	Causas posibles	Solución
Se forma condensación en las paredes internas.	<ul style="list-style-type: none">• Si se deja la puerta abierta, entra humedad en el refrigerador.	<ul style="list-style-type: none">• Retire la humedad y no deje la puerta abierta durante períodos prolongados.
	<ul style="list-style-type: none">• Alimentos con elevado contenido de humedad.	<ul style="list-style-type: none">• Asegúrese de que los alimentos estén envueltos al vacío.

Agua/hielo (solo para modelos con dispensador)

Síntoma	Causas posibles	Solución
Sale menos agua de lo normal.	<ul style="list-style-type: none">• La presión del agua es demasiado baja.	<ul style="list-style-type: none">• Asegúrese de que la presión del agua esté entre 20 y 120 psi.
La fábrica de hielo emite un zumbido.	<ul style="list-style-type: none">• La función de fabricación de hielo está activada, pero el suministro de agua al refrigerador no está conectado.	<ul style="list-style-type: none">• Verifique si el indicador de hielo desactivado está encendido. Si es así, active la función de fábrica de hielo para que el indicador de hielo desactivado se apague. Consulte Configuración del refrigerador para más detalles.
La fábrica de hielo no hace hielo.	<ul style="list-style-type: none">• La fábrica de hielo está recién instalada.	<ul style="list-style-type: none">• Debe esperar 12 horas para que el refrigerador haga hielo.
	<ul style="list-style-type: none">• La temperatura del congelador es demasiado alta.	<ul style="list-style-type: none">• Configure la temperatura del congelador por debajo de 0 °F (-18 °C) o -4 °F (-20 °C) en climas cálidos.
	<ul style="list-style-type: none">• La función Lock (Bloqueo) del panel del dispensador está activada.	<ul style="list-style-type: none">• Desactive la función Lock (Bloqueo) del panel del dispensador.
	<ul style="list-style-type: none">• Fábrica de hielo desactivada.	<ul style="list-style-type: none">• Encienda la fábrica de hielo.

Solución de problemas

Síntoma	Causas posibles	Solución
No se dispensa hielo.	<ul style="list-style-type: none"> El hielo puede atascarse si el dispensador de hielo no se utiliza durante un periodo largo de tiempo (aproximadamente 3 semanas). 	<ul style="list-style-type: none"> Si no utilizará el refrigerador por un periodo de tiempo prolongado, vacíe la cubeta de hielo y apague la fábrica de hielo.
	<ul style="list-style-type: none"> La cubeta de hielo no está insertada correctamente. 	<ul style="list-style-type: none"> Asegúrese de que la cubeta de hielo esté insertada por completo.
	<ul style="list-style-type: none"> La tubería de agua no está conectada correctamente o el suministro de agua está cerrado. 	<ul style="list-style-type: none"> Verifique que la tubería de agua esté instalada correctamente. Verifique que la llave de paso de la tubería de agua no esté cerrada. 

Síntoma	Causas posibles	Solución
No se dispensa agua.	<ul style="list-style-type: none"> La tubería de agua no está conectada correctamente o el suministro de agua está cerrado. 	<ul style="list-style-type: none"> Verifique que la tubería de agua esté instalada correctamente. Verifique que la llave de paso de la tubería de agua no esté cerrada. 
	<ul style="list-style-type: none"> La función Lock (Bloqueo) del panel del dispensador está activada. 	<ul style="list-style-type: none"> Desactive la función Lock (Bloqueo) del panel del dispensador.
	<ul style="list-style-type: none"> Se instaló un filtro de agua de terceros. 	<ul style="list-style-type: none"> Utilice únicamente filtros provistos o aprobados por Samsung. Los filtros no aprobados pueden provocar pérdidas y daños al refrigerador.
	<ul style="list-style-type: none"> El indicador de filtro de agua se enciende o parpadea. 	<ul style="list-style-type: none"> Reemplace el filtro de agua. Luego de reemplazarlo, restablezca el sensor del indicador del filtro.

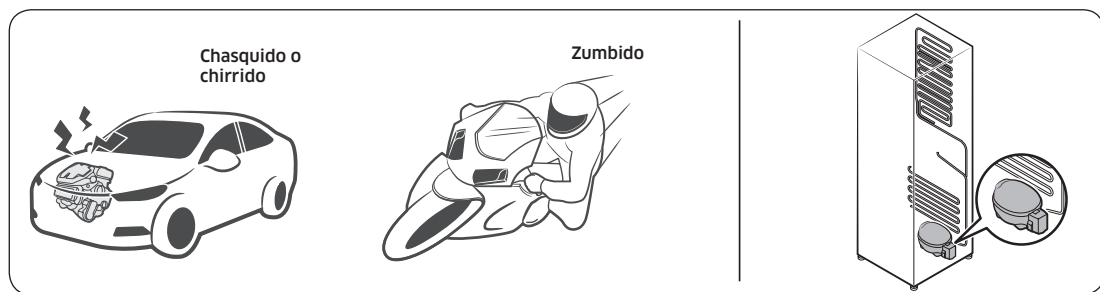
Solución de problemas

¿Se oyen ruidos anómalos procedentes del refrigerador?

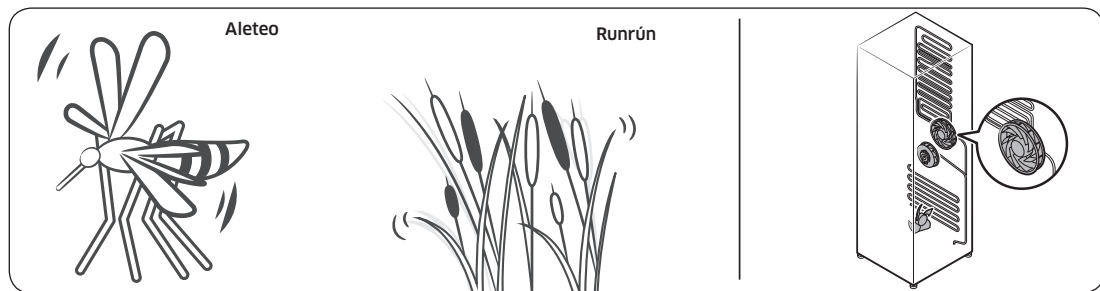
Antes de solicitar servicio técnico revise los siguientes puntos de verificación. En el caso de solicitudes de servicio relacionado con ruidos normales se exigirá un cargo al usuario.

Dichos ruidos son normales.

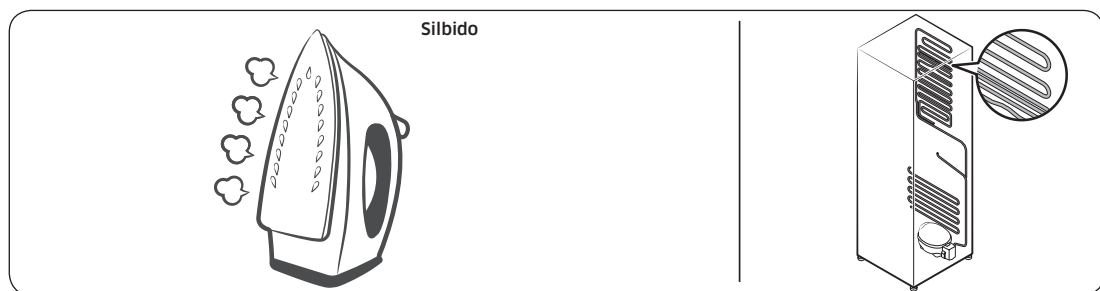
- Cuando se inicia o finaliza una operación, el refrigerador puede emitir unos sonidos similares al encendido del motor de un auto. Cuando la operación se estabiliza, el ruido disminuye.



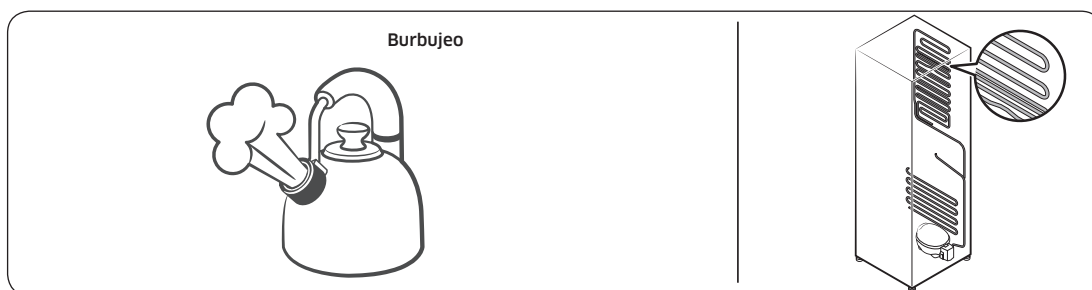
- Cuando el ventilador está en funcionamiento puede producir algunos ruidos. Cuando el refrigerador alcanza la temperatura establecida, el ruido del ventilador se detiene.



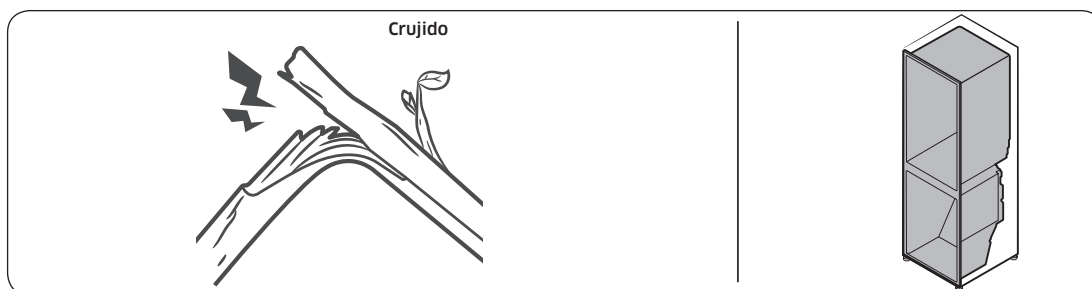
- Durante un ciclo de descongelación, pueden caer gotas de agua sobre el calefactor y producir ruidos de chisporroteo.



- Cuando el refrigerador enfría o congela, el gas refrigerante circula por las tuberías selladas y produce ruidos de burbujas.



- Cuando la temperatura del refrigerador aumenta o disminuye, las partes plásticas se contraen y se expanden y producen ruidos de golpeteo. Dichos ruidos se producen durante el ciclo de descongelación o cuando las piezas electrónicas están funcionando.



- Para modelos con fábrica de hielo: Cuando la válvula de agua se abre para llenar la fábrica de hielo, pueden emitirse unos zumbidos.
- Debido a la equalización de la presión cuando se abre y cierra la puerta del refrigerador, pueden producirse sonidos silbantes.

Solución de problemas

Samsung Smart Home

Síntoma	Acción
No se encuentra "Samsung Smart Home" en el mercado de aplicaciones.	<ul style="list-style-type: none">La aplicación Samsung Smart Home se encuentra disponible para todos los teléfonos inteligentes que utilizan Android 4.0 (ICS) o superior, o iOS 8.0 o superior.
La aplicación Samsung Smart Home no funciona.	<ul style="list-style-type: none">La aplicación Samsung Smart Home está disponible únicamente para los modelos correspondientes.La aplicación Samsung Smart Refrigerator antigua no puede conectarse con los modelos Samsung Smart Home.
La aplicación Samsung Smart Home está instalada pero no se conecta a mi refrigerador.	<ul style="list-style-type: none">Debe iniciar una sesión con su cuenta Samsung para utilizar la aplicación.Asegúrese de que su enrutador funcione normalmente.Si no ha conectado el refrigerador a la aplicación Samsung Smart Home luego de instalar esta, debe establecer la conexión con la función de registro del dispositivo de la aplicación.
No se puede iniciar una sesión en la aplicación.	<ul style="list-style-type: none">Debe iniciar una sesión con su cuenta Samsung para utilizar la aplicación.Si no tiene una cuenta Samsung, siga las aplicaciones en pantalla de la aplicación para crear una.
Cuando trato de registrar mi refrigerador aparece un mensaje de error.	<ul style="list-style-type: none">Easy Connection puede fallar como resultado de la distancia con respecto al punto de acceso (PA) o de una interferencia eléctrica del entorno circundante. Espere un momento e inténtelo nuevamente.
La aplicación Samsung Smart Home está conectada correctamente a mi refrigerador pero no funciona.	<ul style="list-style-type: none">Salga y reinicie la aplicación Samsung Smart Home o desconecte el enrutador y conéctelo nuevamente.Desconecte el cable de alimentación del refrigerador y enchúfelo nuevamente después de 1 minuto.

Smart Grid

Síntoma	Acción
¿Qué necesito para utilizar las funciones de gestión de energía y Smart Grid?	<p>Para usar las funciones Smart Grid (respuesta a la demanda) y de gestión de energía del refrigerador, se necesita lo siguiente:</p> <p>Dispositivos</p> <ul style="list-style-type: none"> • Un punto de acceso inalámbrico (enrutador) • Un refrigerador que admita Samsung Energy Management • Un teléfono inteligente <p>Registro</p> <ul style="list-style-type: none"> • Conecte el refrigerador a su red Wi-Fi doméstica. • Regístrese en el servicio EMS con su compañía de electricidad. Su compañía eléctrica debe tener un EMS (sistema de gestión de energía) compatible con SEP (perfil de energía inteligente). <p>Aplicación</p> <ul style="list-style-type: none"> • Descargue la aplicación Samsung Smart Home desde las tiendas Google Play, Apple App o Samsung Galaxy Apps. • Instale y ejecute la aplicación Samsung Smart Home en su teléfono inteligente.
¿Por qué la función de gestión de energía no opera con normalidad?	<ul style="list-style-type: none"> • Asegúrese de que el enrutador de su casa opere normalmente con un servicio y una conexión a Internet correctos. • Asegúrese de que el refrigerador esté conectado al PA (enrutador). <p>Puntos de verificación</p> <ul style="list-style-type: none"> • Conecte su teléfono inteligente al enrutador (PA, punto de acceso) y revise si puede acceder a Internet desde el teléfono inteligente.
¿Por qué la capacidad de demora del descongelamiento no opera con normalidad?	<ul style="list-style-type: none"> • Asegúrese de que el enrutador de su casa opere normalmente con un servicio y una conexión a Internet correctos.

Solución de problemas

LCD

Síntoma	Acción
No puedo conectarme al televisor.	<ul style="list-style-type: none">Este refrigerador solo puede conectarse con modelos Samsung Smart TV de la serie 6400 o superior comercializados a partir de 2015. Revise primero el nombre de modelo de su televisor.Las conexiones de red pueden interrumpirse temporalmente. Apague el televisor y vuelva a intentarlo.
La imagen de la vista interior se ve deformada o incompleta.	<ul style="list-style-type: none">Los bordes de la vista interior pueden verse deformados. La deformación es causada por la lente convexa de la cámara.La vista interior puede estar incompleta debido a los puntos ciegos de las esquinas izquierda y derecha, o alterados dependiendo de la disposición de los alimentos. Asegúrese de colocar los alimentos en el centro de la parte delantera.
La medición que se muestra en el Administrador del refrigerador no es correcta.	<ul style="list-style-type: none">Las condiciones mostradas pueden diferir de la temperatura y la humedad reales.

Garantía (USA)

GARANTÍA DEL REFRIGERADOR SAMSUNG

GARANTÍA LIMITADA PARA EL COMPRADOR ORIGINAL

Este producto de marca Samsung, suministrado y distribuido por Samsung Electronics America, Inc. (Samsung) y entregado nuevo en su caja de fábrica al comprador original, está garantizado por Samsung ante defectos de fabricación relacionados con los materiales y la mano de obra durante un período de garantía limitado a:

Un (1) año para las piezas y la mano de obra del refrigerador

Cinco (5) años para las piezas y la mano de obra exclusivamente del sistema hermético de refrigeración*

Diez (10) años para las piezas y cinco (5) años para la mano de obra para el compresor Digital Inverter
(*Compresor, evaporador, condensador, deshumidificador, tuberías de conexión)

Esta garantía limitada entra en vigencia en la fecha original de compra y solo es válida para productos adquiridos y utilizados en los Estados Unidos. Para recibir el servicio técnico bajo garantía, el comprador debe comunicarse con Samsung para determinar la naturaleza del problema y proceder a repararlo. El servicio de garantía solo puede realizarse a través de un Centro de Servicio autorizado Samsung. Debe presentarse la factura original de venta bajo solicitud de Samsung o del Centro de Servicio autorizado Samsung como prueba de compra.

Samsung reparará o reemplazará cualquier pieza considerada defectuosa, a nuestra entera discreción y sin cargo, según lo estipulado en este documento, por piezas nuevas o reparadas durante el período de garantía limitada especificado anteriormente. Todas las piezas y los productos reemplazados son de propiedad de Samsung y deben devolverse a Samsung. Las piezas y los productos de repuesto quedarán bajo el período restante de garantía original o noventa (90) días, el que sea más extenso.

La prestación de servicios en el hogar se realizará durante el período de garantía de la mano de obra, sujeto a disponibilidad dentro de los Estados Unidos. La prestación de servicios en el hogar no está disponible en todas las zonas. Para recibir la prestación de servicio en el hogar, el producto debe estar despejado y ser accesible al nivel del piso para el personal de servicio técnico. Si durante la prestación de servicios en el hogar no pudiera llevarse a cabo la reparación, podría ser necesario realizar el traslado, la reparación y la posterior devolución del producto. Si la prestación de servicios en el hogar no está disponible, Samsung podría escoger, a nuestra entera discreción, proporcionar transporte a nuestra elección hasta y desde el Centro de Servicio autorizado Samsung. De lo contrario, el transporte hasta y desde el Centro de Servicio autorizado Samsung estará a cargo del comprador.

Garantía (USA)

Esta garantía limitada cubre defectos de fabricación en materiales y de mano de obra bajo condiciones de uso normal, no comercial, del producto y no se aplicará en los siguientes casos, incluidos, entre otros: daños ocasionados durante el transporte, la entrega y la instalación; aplicaciones y usos para los que el producto no fue diseñado; producto o números de serie alterados; daños externos o del acabado exterior; accidentes, mal uso, negligencia, incendio, agua, rayos u otros fenómenos naturales; uso de productos, equipamiento, sistemas, servicios públicos, servicios generales, piezas, suministros, accesorios, aplicaciones, instalaciones, reparaciones, tuberías externas y fugas, cableado externo, disyuntores, fusibles o conectores no suministrados ni autorizados por Samsung o que dañen este producto u ocasionen problemas de servicio; voltaje incorrecto, fluctuaciones y sobrevoltaje del suministro eléctrico; adaptaciones y fallas por parte del cliente en el cumplimiento de las instrucciones de funcionamiento, limpieza, mantenimiento y cuidado del medio ambiente que se incluyen y establecen en el manual de instrucciones; pérdida de alimentos por descomposición; consumibles, incluidos filtros y focos de iluminación.

NO EXISTEN OTRAS GARANTÍAS EXPLÍCITAS APARTE DE LAS MENCIONADAS Y DESCRITAS ANTERIORMENTE, ASÍ COMO TAMPOCO EXISTEN OTRAS GARANTÍAS EXPLÍCITAS O IMPLÍCITAS, INCLUIDAS, ENTRE OTRAS, LAS GARANTÍAS IMPLÍCITAS DE COMERCIABILIDAD O DE IDONEIDAD PARA UN FIN CONCRETO Y QUE SEAN PERTINENTES TRAS LOS PERÍODOS DE GARANTÍA EXPLÍCITA INDICADOS CON ANTERIORIDAD; Y NINGUNA GARANTÍA EXPLÍCITA U OFRECIDA POR PERSONAS, FIRMAS O EMPRESAS EN RELACIÓN CON ESTE PRODUCTO SERÁ LEGALMENTE VINCULANTE PARA SAMSUNG. SAMSUNG NO SERÁ LEGALMENTE RESPONSABLE DE LA PÉRDIDA DE INGRESOS O BENEFICIOS, LA FALTA DE AHORROS U OTROS BENEFICIOS, O DE NINGÚN OTRO DAÑO RESULTANTE ESPECIAL, ACCIDENTAL O INDIRECTO OCASIONADO POR EL USO, ABUSO O INCAPACIDAD DE USO DE ESTE PRODUCTO, INDEPENDIEMENTE DE LA TEORÍA LEGAL SOBRE LA QUE SE BASE EL RECLAMO, INCLUSO SI SAMSUNG HA SIDO ADVERTIDO DE LA POSIBILIDAD DE TALES DAÑOS. ASIMISMO, CUALQUIER TIPO DE INDEMNIZACIÓN EXIGIDA A SAMSUNG NO SUPERARÁ EL PRECIO DE COMPRA DEL PRODUCTO VENDIDO POR SAMSUNG Y QUE HAYA OCASIONADO EL SUPUESTO DAÑO. SIN LIMITAR LO INDICADO ANTERIORMENTE, EL COMPRADOR ASUME TODO EL RIESGO Y LA RESPONSABILIDAD DE CUALQUIER PÉRDIDA, DAÑO O LESIÓN A SÍ MISMO O A SU PROPIEDAD, ASÍ COMO A TERCEROS Y A LA PROPIEDAD DE ESTOS, OCASIONADOS POR EL USO, ABUSO O INCAPACIDAD DE USO DE ESTE PRODUCTO VENDIDO POR SAMSUNG QUE NO HAYAN SIDO CAUSADOS DIRECTAMENTE POR NEGLIGENCIA DE SAMSUNG. ESTA GARANTÍA LIMITADA NO SERÁ VÁLIDA PARA PERSONAS AJENAS AL COMPRADOR ORIGINAL DE ESTE PRODUCTO, ADEMÁS ES INTRANSFERIBLE Y CONSTITUYE SU RECURSO EXCLUSIVO.

Ciertos estados no permiten limitaciones en cuanto a la vigencia de una garantía implícita o la exclusión o limitación de daños accidentales o indirectos, de tal forma que las limitaciones o excepciones mencionadas tal vez no se apliquen a usted en particular. Esta garantía le otorga derechos legales específicos, e incluso puede otorgarle otros derechos que varían de un estado a otro. Para obtener el servicio de garantía, pónganse en contacto con Samsung en el:

CENTRO DE ASISTENCIA AL CLIENTE DE SAMSUNG

Samsung Electronics America, Inc.

85 Challenger Road

Ridgefield Park, NJ 07660

1-800-SAMSUNG (726-7864)

www.samsung.com/us/support

Contacte a SAMSUNG WORLD WIDE

Si tiene preguntas o comentarios relacionados con los productos Samsung, póngase en contacto con el Servicio de Atención al Cliente de SAMSUNG.

País	Centro de contacto	Sitio web
U.S.A	1-800-SAMSUNG (726-7864) 1-844-SAM-PAYS (726-7297)	www.samsung.com/us/support
CANADA	1-800-SAMSUNG (726-7864)	www.samsung.com/ca/support (English) www.samsung.com/ca_fr/support (French)



DA68-03563D-00