

READ AND SAVE THESE INSTRUCTIONS



INSTRUCTIONS FOR MOUNTING LIGHT FIXTURES K2C (INCANDESCENT) or K1C (HALOGEN)

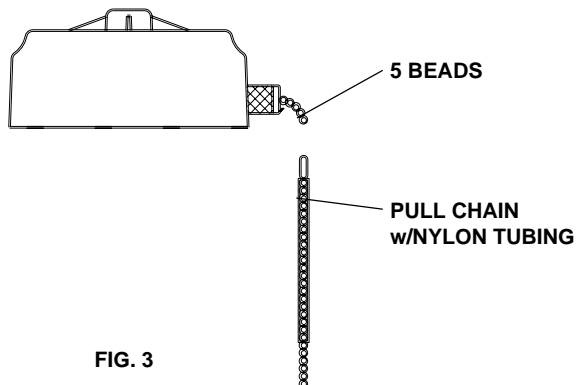
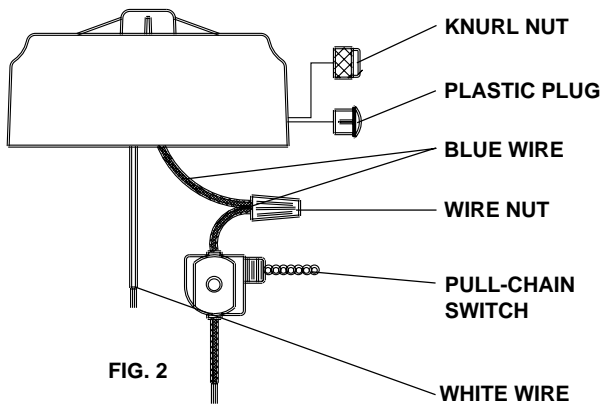
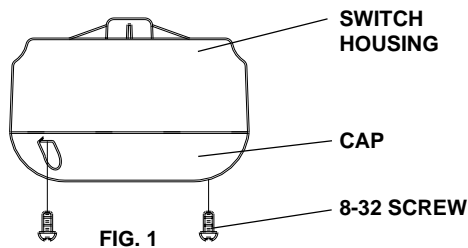
WARNING: To reduce the possibility of electrical shock, be sure that the power is turned off at its source (fuse or circuit breaker). All electrical components must be installed in accordance with national and local electrical codes. To reduce the risk of fire and electrical shock, use this light fixture only with UL Listed Casablanca ceiling fans indicated as adaptable on the chart included with these instructions.

BEFORE YOU START:

- **THE K1C LIGHT FIXTURE (HALOGEN) NOT FOR USE ON 3 SPEED PULL-CHAIN MODEL FANS. (MODEL NUMBERS ENDING WITH "D")**
- This switch housing may or may not have electronics in it.
- K2C and K1C for use with G106, G107, G108, G109, and G110 Glass Shades (sold separately).

CAUTION: Use only incandescent light bulbs with K2C light fixture and only halogen light bulb with K1C light fixture.

INSTALLATION



1. Remove the cap from fan by removing two brass 8-32 screws and save these screws for attaching light fixture. This cap will not be reused. Remove plastic wire nuts from switch housing wires and strip 1/2" insulation from both wires (black or blue, and white). See FIG. 1

NOTE: For K2C (incandescent) Light Fixture: If installing this light fixture on a 3 Speed pull-chain model fan, a separate pull-chain switch (included with the fan) must be installed. Refer to the following installation instructions. Otherwise, for K1C (halogen) Light Fixture installation skip to step 5.

2. Remove the plastic plug from the fan switch housing. Install the light on-off switch by inserting the chain through hole, from the inside. Pass the switch threads into the hole and screw the knurl nut onto the switch. Hand tighten firmly. See FIG. 2

3. Attach the blue wire from the fan (labeled D1-OPTION) to one of the blue wires on the switch by twisting the bare ends of the wires together. Secure the splice by threading on one of the wire nuts provided. Test the secureness of the splice by pulling on the wire nut. Check that there is no bare wire showing from the wire nut then cover connection with electrical tape.

4. Count 5 beads away from the pull chain switch and cut the pull chain. Attach the beaded pull chain with nylon tubing to the switch. Repeat installation of the beaded pull chain with nylon tubing for the fan speed switch already attached to the switch housing. See FIG. 3

continued . . .

INSTALLATION

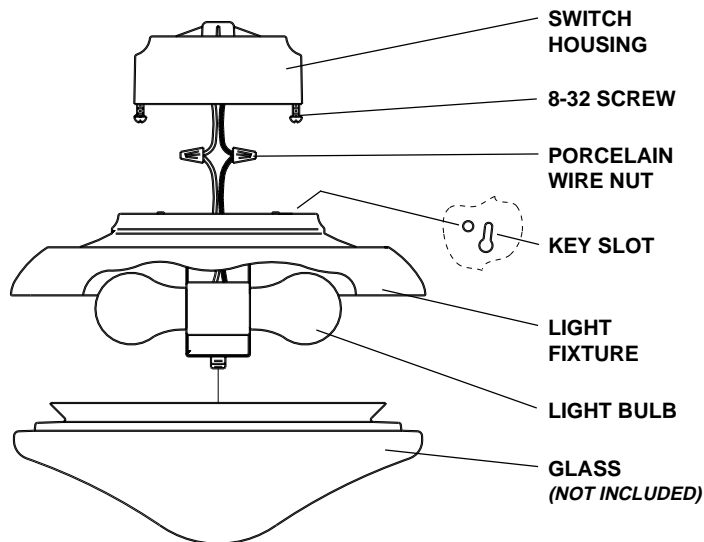


FIG. 4

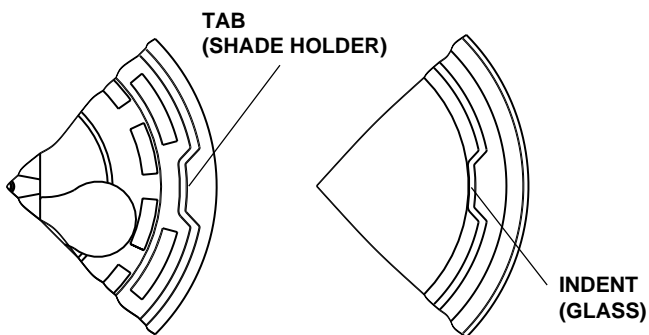


FIG. 5

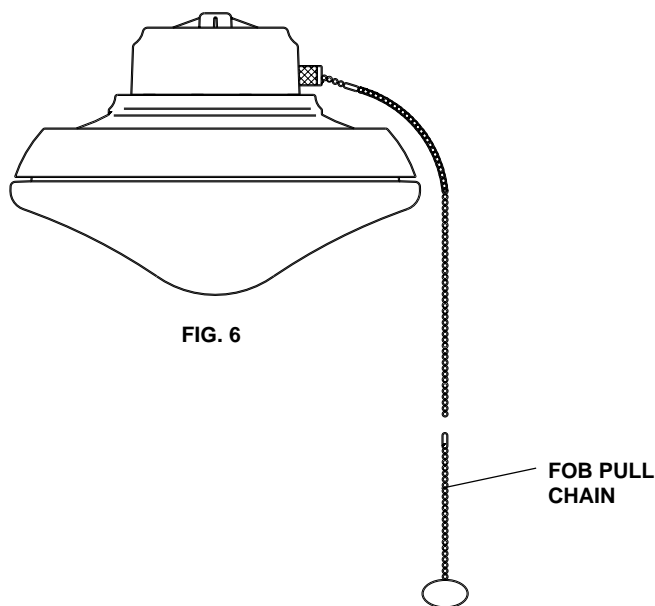


FIG. 6

5. Thread the two 8-32 screws half way into the two threaded holes on the switch housing. See FIG. 4

6. While holding light fixture up to the fan, attach the wires from the fan switch housing and the wires from the light fixture together (black-to-black or blue-to-black and white-to-white) by twisting the bare ends of the wires together. Then secure the splices by threading on the porcelain wire nuts provided. Test the secureness of each splice by pulling on the wire nut. Check that there is no bare wire showing from the wire nut then cover both connections with electrical tape.

7. Align the two 8-32 screws on the switch housing with the two key slots on the housing cover. Rotate light fixture clockwise, make certain screw heads have rotated to the narrow end of the slot.

CAUTION: Make sure no wires are pinched between light fixture and switch housing. Tighten the screws to secure light fixture.

8. Install the light bulbs. Do not exceed the maximum wattage indicated on the light fixture.

CAUTION: Make certain to remove dust and oil from the halogen light bulbs after installation. Failure to do so will shorten bulb life.

9. Align the three (3) indents in the glass with the three (3) tabs in the shade holder, push glass up gently and turn to the right (clockwise) until the glass is locked in place. See FIG. 5

(Skip step 10 if this light fixture is not intended for mounting to a 3 speed pull-chain fan)

10. For 3 speed fan series. Connect the fob pull chain. Repeat for both switches. See FIG. 6

CAUTION: Make sure no wires are pinched between light fixture and switch housing.