

# Sheven / FVS-1002

Single Lever Vessel Bathroom Faucet

Chrome / Oil Rubbed Bronze / Satin Nickel Finishes

# Kräus<sup>®</sup>

SPECIFICATION SHEET

## Material

Body: Brass  
Handle: Zinc  
Waterway: Brass

## Faucet Type

Vessel

## Cartridge

Brand: Kerox  
Size: 35mm  
Style: Lever

## Mounting

Holes: 1 Hole  
Type: Brass Nut

## Waterlines

Type : CAE  
Flexible Waterlines  
Connections: 3/8"  
Materials: Braided Stainless Steel  
Included

## Aerator

Brand: Neoperl/1.5GPM  
Name: Perlator Honeycomb SSR  
Flow Rate: 1.5gpm (5.7L/min) @ 60 psi

## Dimensions

Faucet Dimensions: 13 1/4" x 4 3/8" x 2"

## Accessories Included

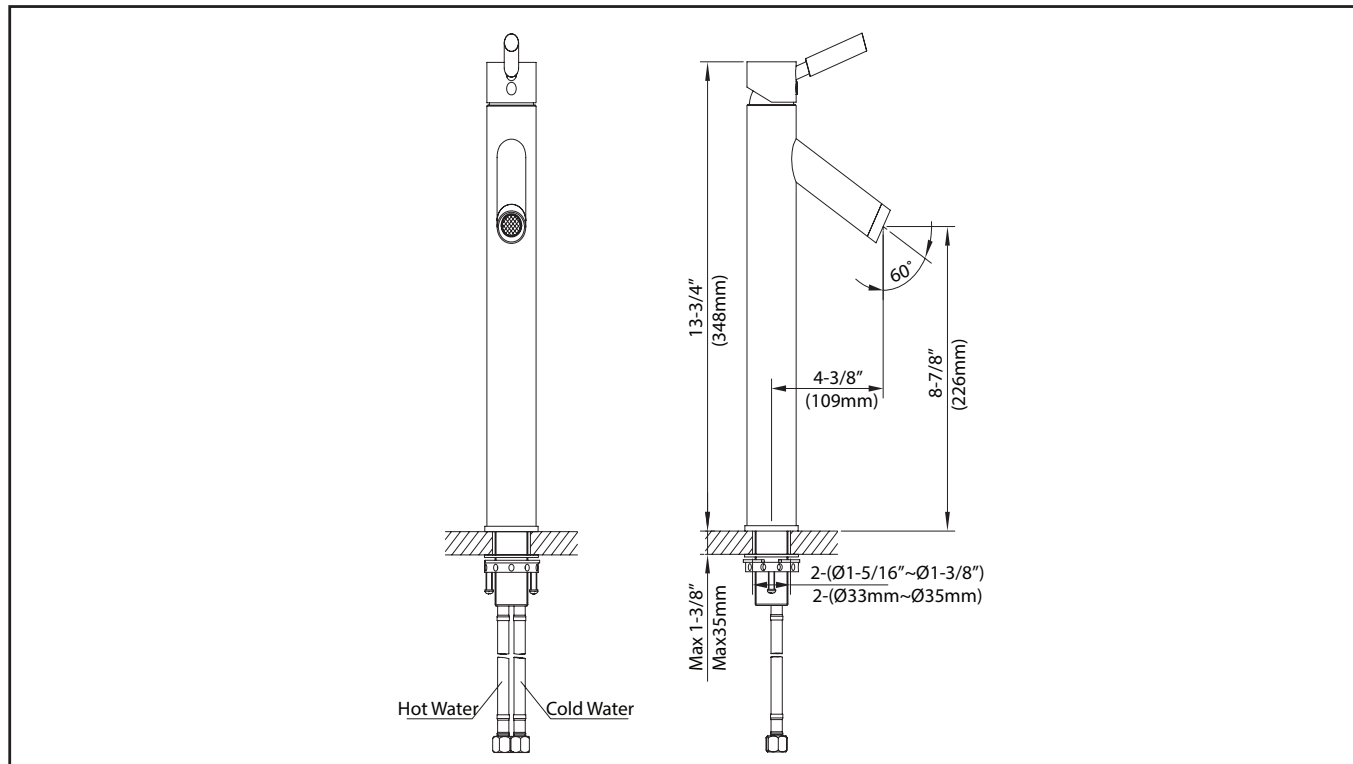
Hex Wrench

## Optional Accessories

PU-10, PU-15  
PU-12

Kraus Limited Lifetime Warranty: See website for details [www.kraususa.com](http://www.kraususa.com)

1.800.775.0703 / [customerservice@kraususa.com](mailto:customerservice@kraususa.com)



Listing: cUPC, NSF, AB1953, EPA, CALGreen, MASS, FTC, DOE, CEC, ADA

REV. December 8, 2015