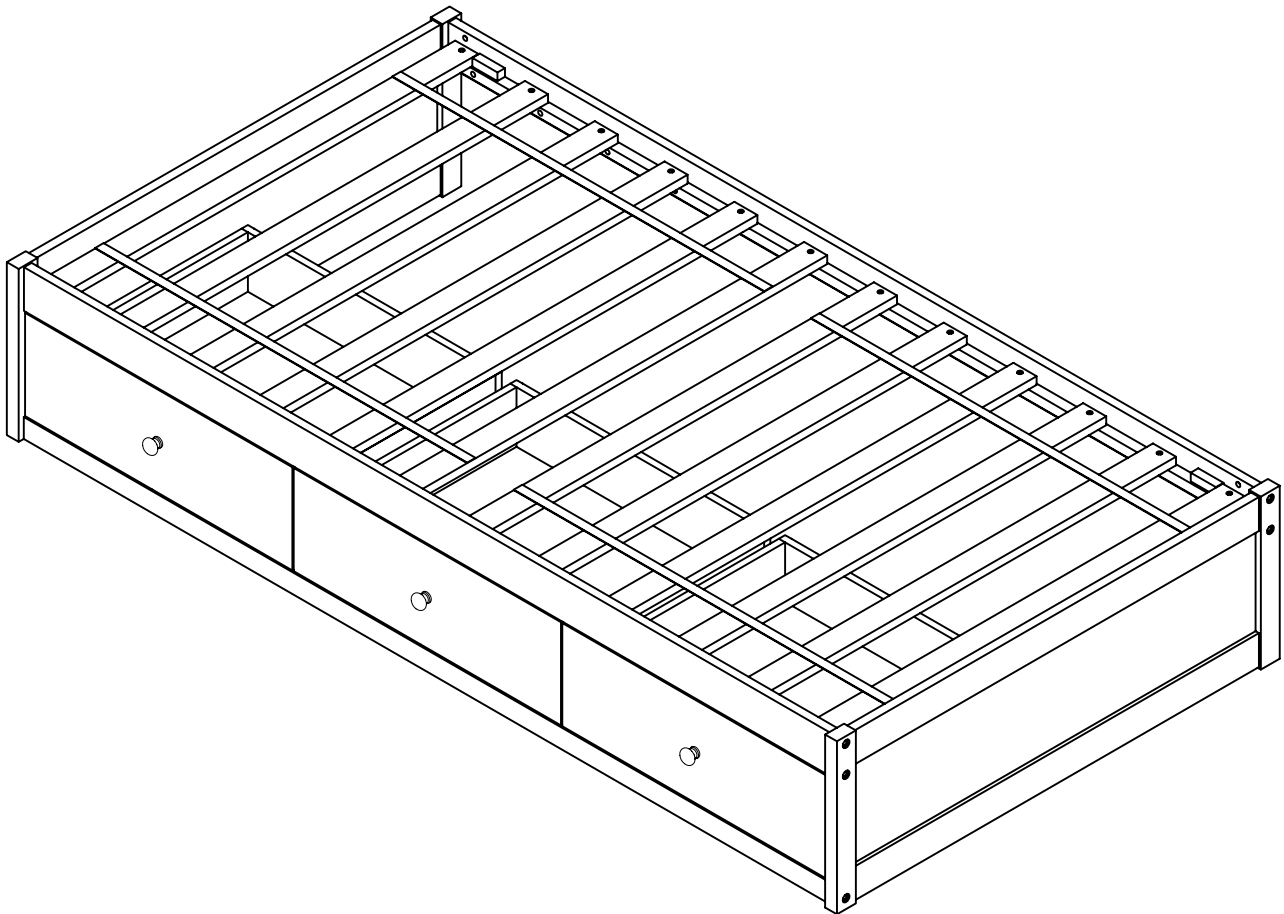


ASSEMBLY INSTRUCTIONS

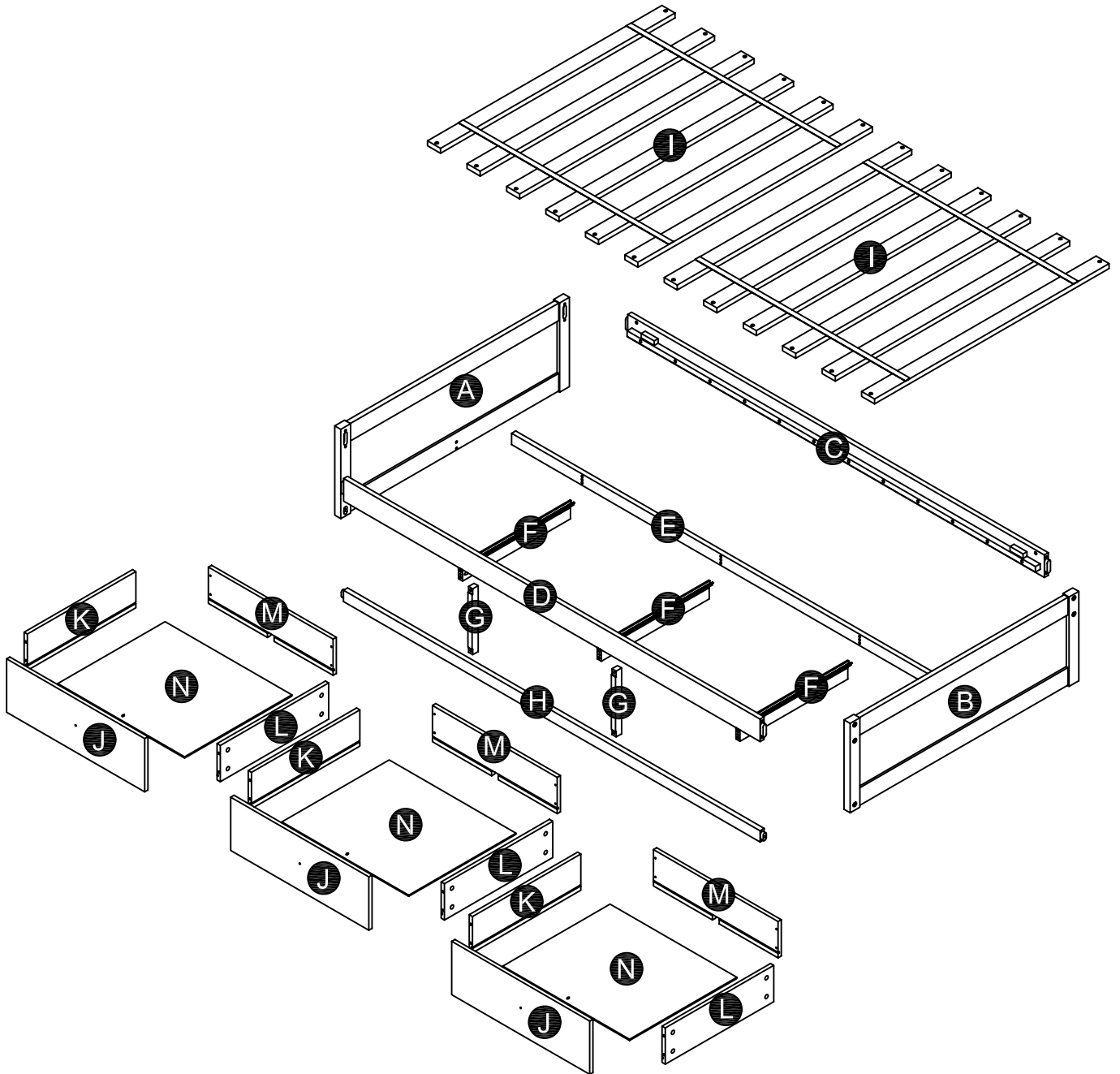


BED WITH 3 DRAWER

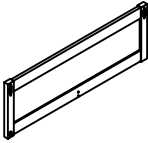
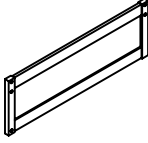

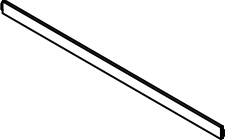
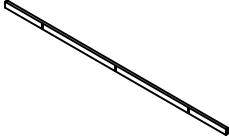


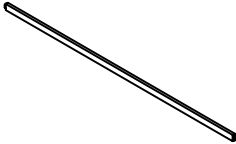
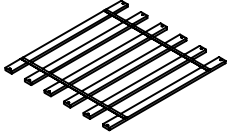
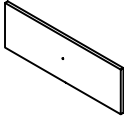
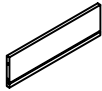
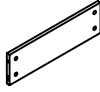
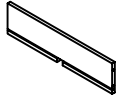
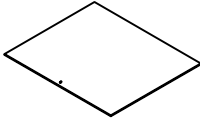


WF038204LAA/DAA - WF038205LAA/DAA

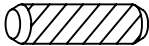







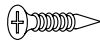





Detail View



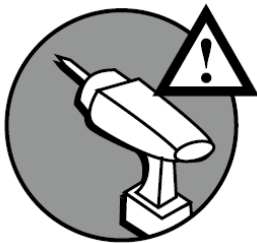
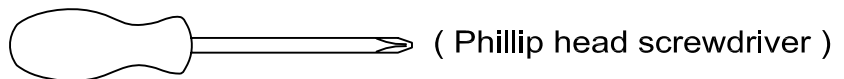
Part List

A 	B 	C 
Headboard - 1pc	Footboard - 1pc	Side Rail (Back) - 1pc
D 	E 	F 
Side Rail (Front) - 1pc	Support Rail - 1pc	Support Drawer - 3pcs
G 	H 	I 
Support - 2pcs	Drawer Side Rail - 1pc	Slats - 2set
J 	K 	L 
Drawer Front - 3pcs	Drawer Left - 3pcs	Drawer Right - 3pcs
M 	N 	
Drawer Back - 3pcs	Drawer Bottom - 3pcs	

Hardware List

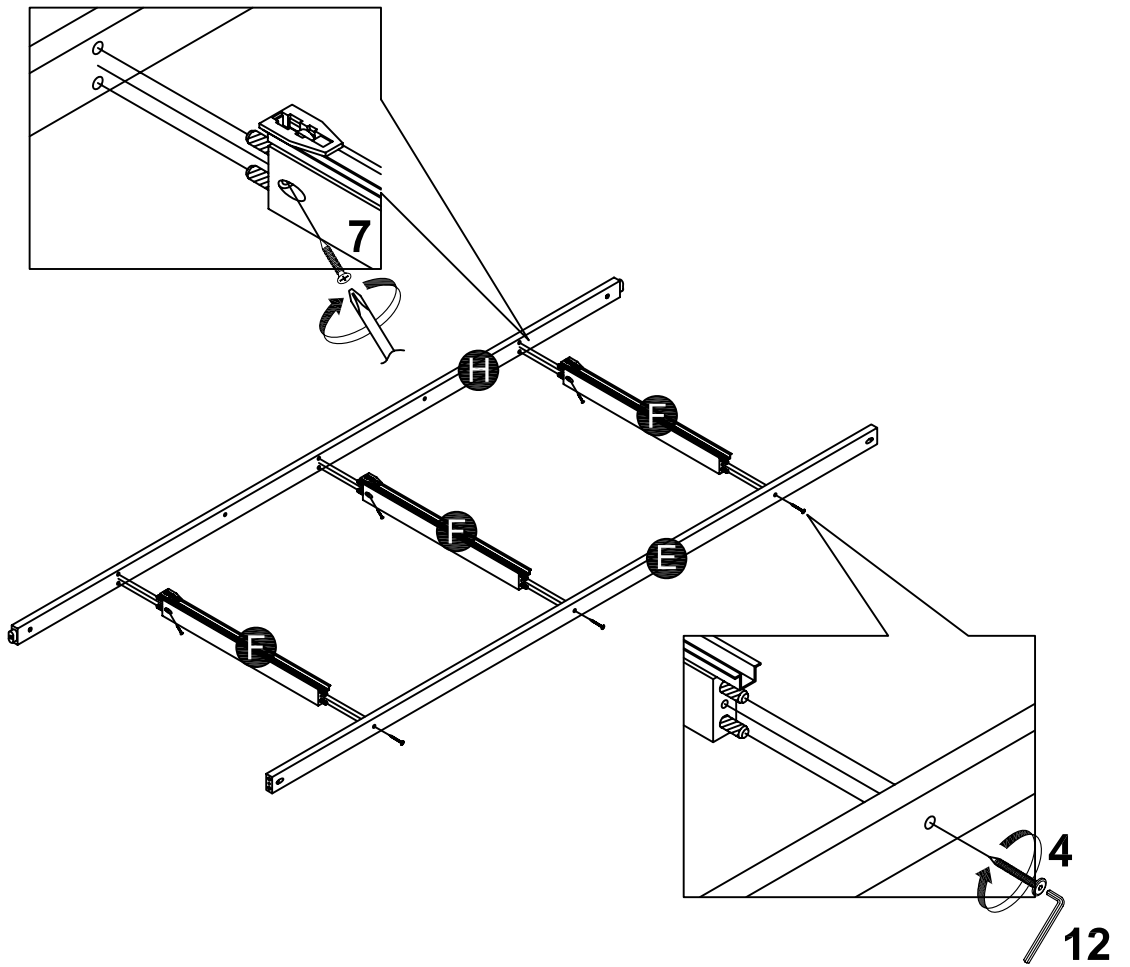
1  Ø8*30mm Wood dowel (4pcs)	2  (Ø15)1/4"*80mm Hex-Head bolts (10pcs)	3  1/4"*15 (9.5mm) Horizontal-Hole bolts(10pcs)
4  (Ø12)1/4"*50mm Hex-Head bolts (3pcs)	5  Ø38*31mm Pine Knob (3pcs)	6  3/16"*25mm Ph zinc(Knob) (3pcs)
7  Ø4*30mm Wood screws (29pcs)	8  495*30mm Drawer slide (3pcs)	9  Ø3.5*12mm Wood screws (9pcs)
10  Ø7*45mm Cam rods (24pcs)	11  Ø15*12mm Cam lock (24pcs)	12  (1/4")4.5*58mm Allen key (1pc)
13  (Ø12)1/4"*30mm Hex-Head bolts (4pcs)	14  Ø4*15mm Wood screws (3pcs)	

ASSEMBLY TOOLS REQUIRED (NOT INCLUDED)

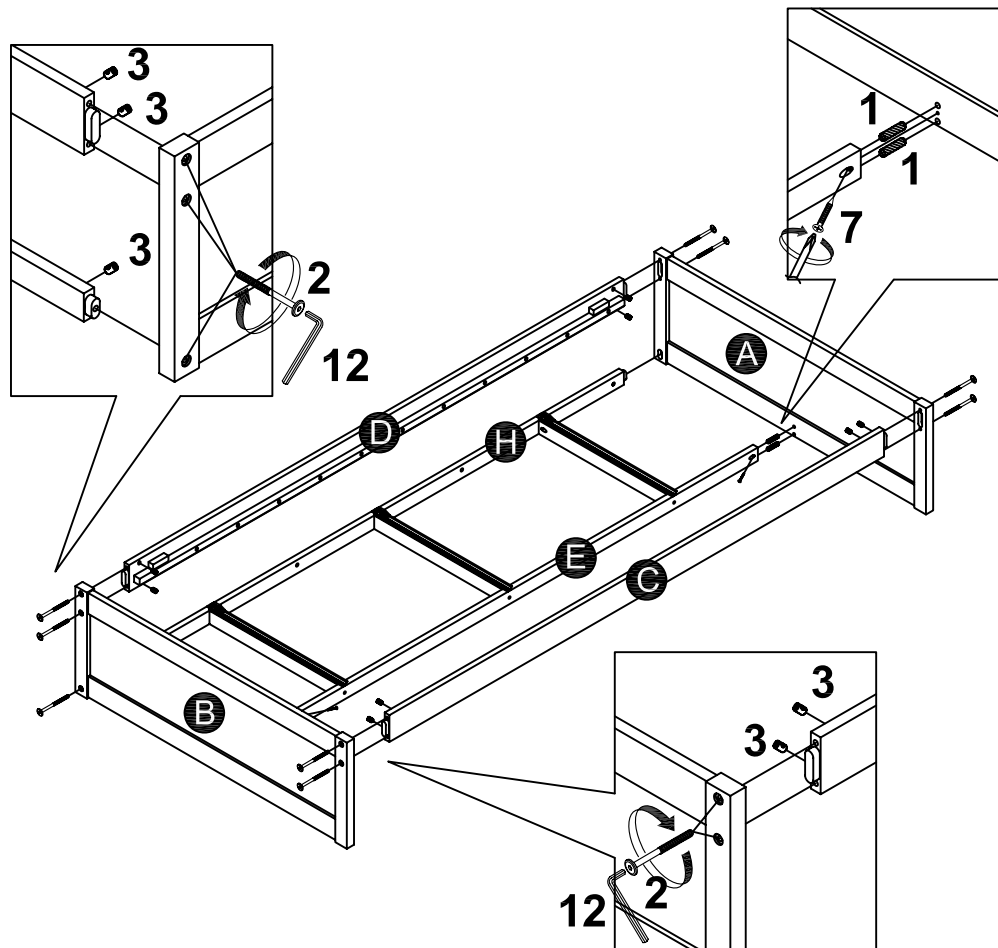


DO NOT USE POWER TOOLS TO ASSEMBLE THIS PRODUCT !

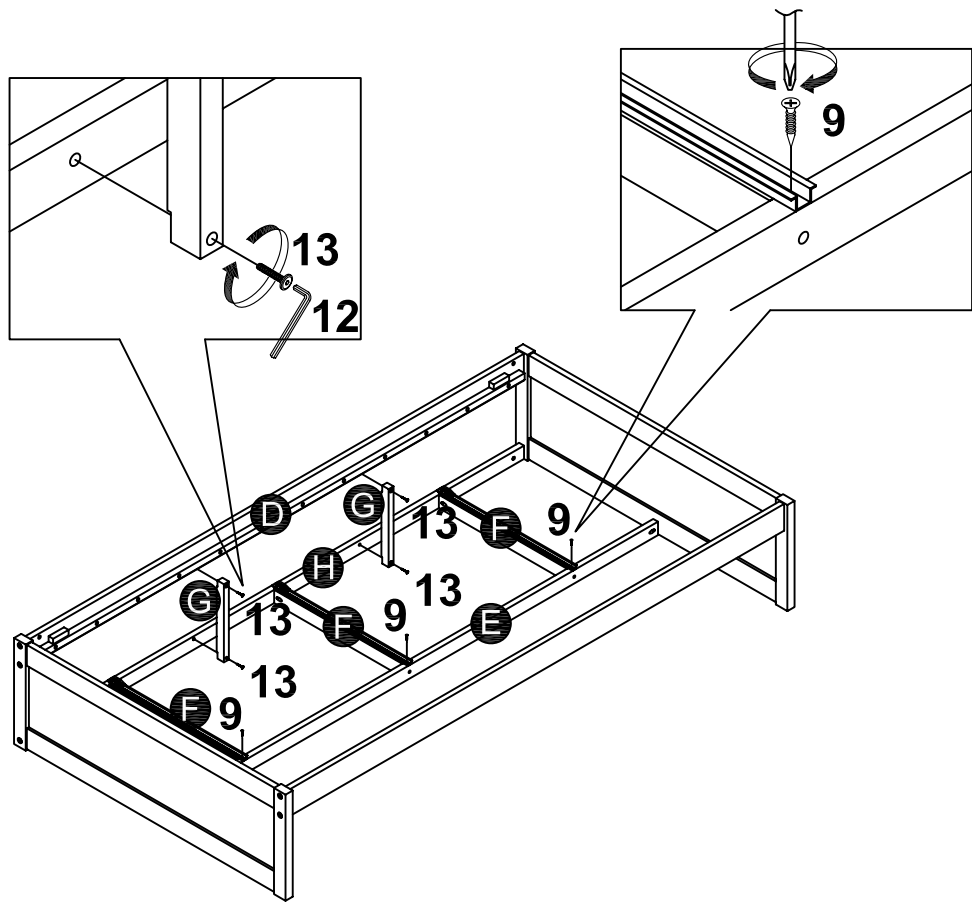
STEP 1:



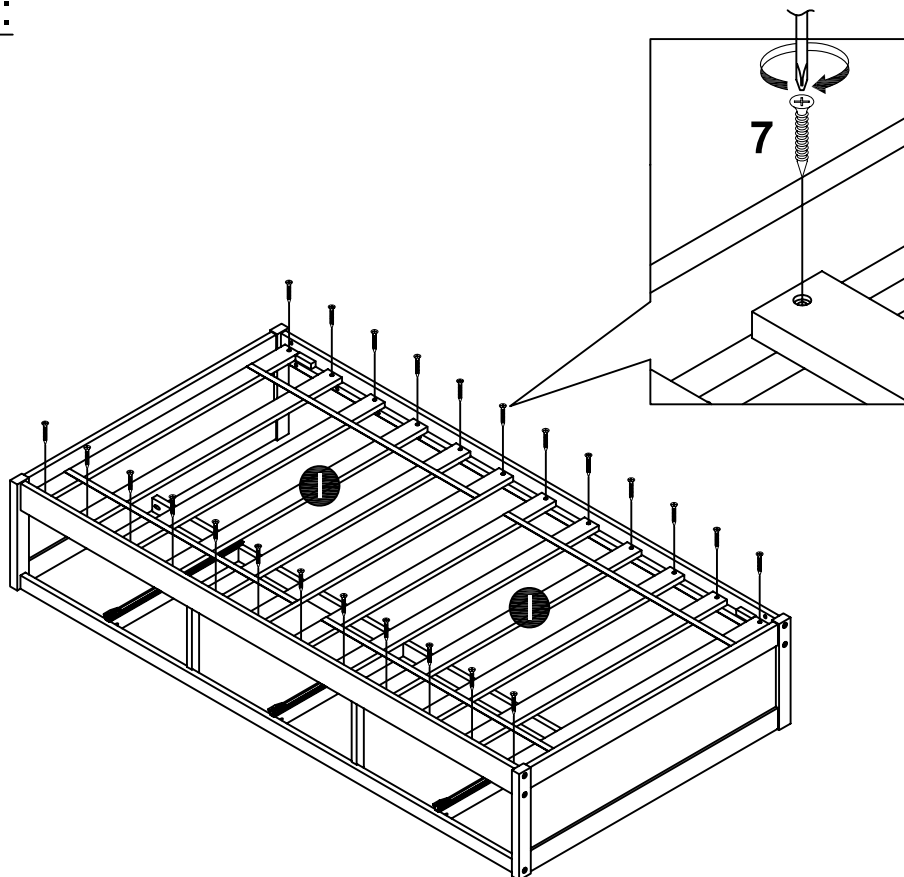
STEP 2:



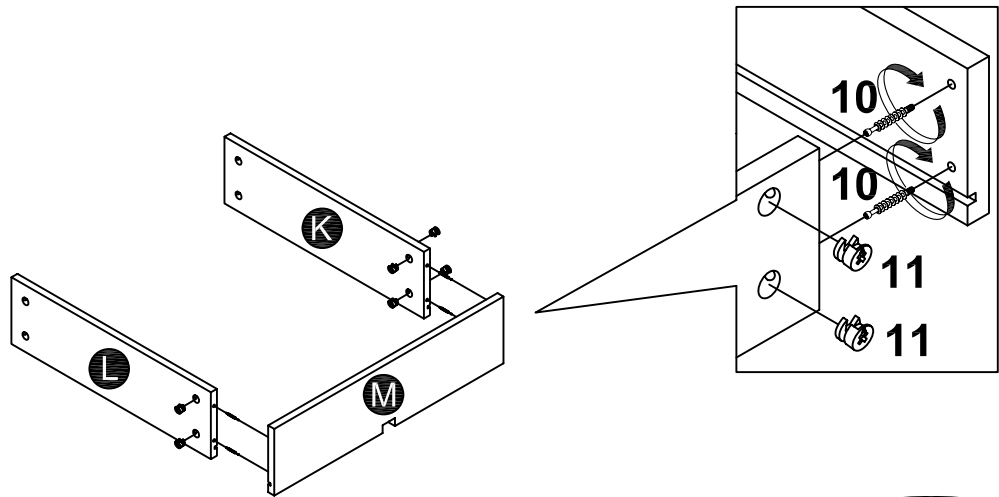
STEP 3:



STEP 4:

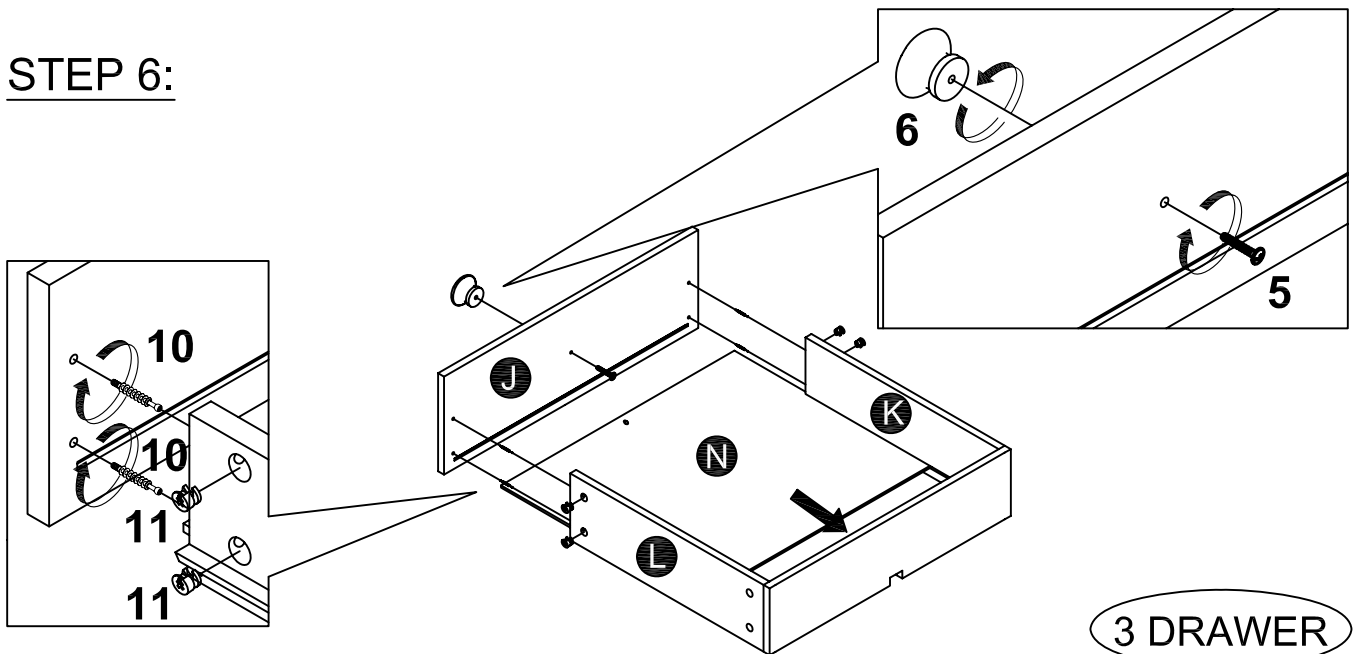


STEP 5:



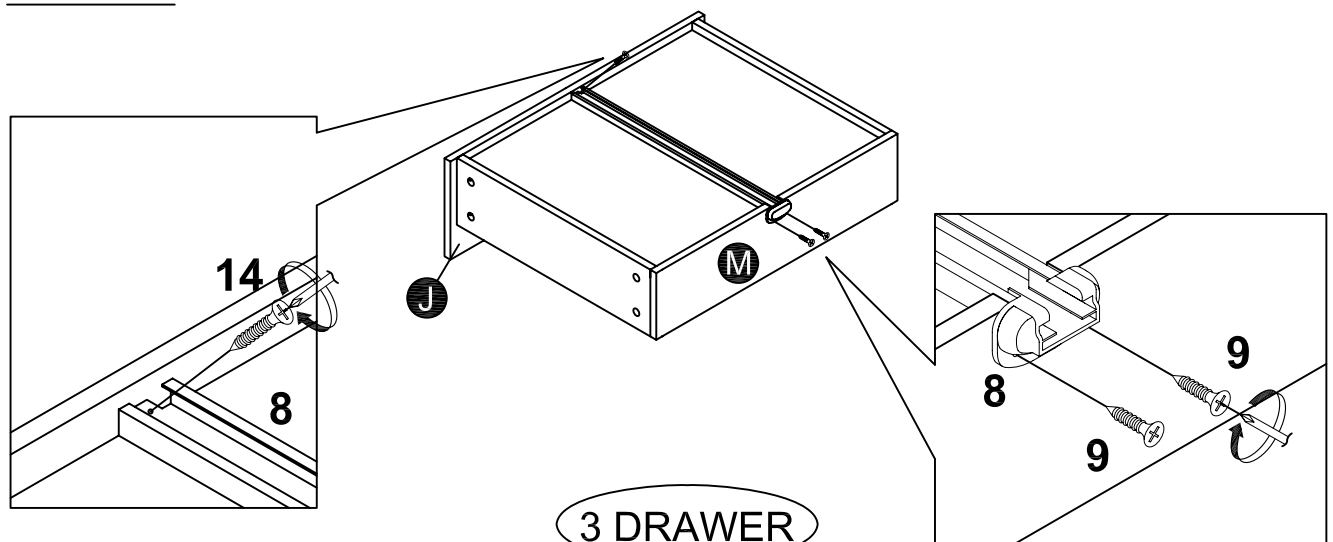
3 DRAWER

STEP 6:



3 DRAWER

STEP 7:



3 DRAWER

STEP 8:

