

Kräus[®]

INSTALLATION MANUAL

Ramus Single Handle Lavatory Faucet

FVS-1007

Congratulations on your new Kraus purchase!

We would like to take this opportunity to thank you for your business with Kraus USA. It is our sincere hope that you are completely satisfied with your Kraus experience. We welcome any questions or comments you may have, and look forward to assisting you in the future.

For more information about Kraus products, please visit our website at:
www.kraususa.com.

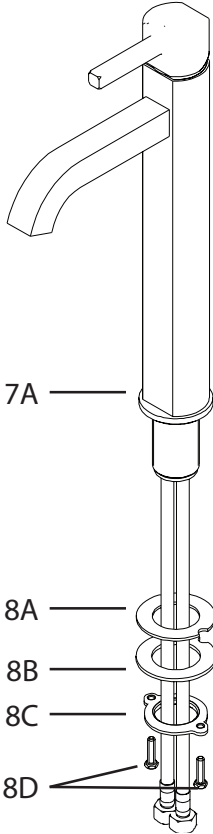
In order to allow us to serve you better, we recommend registering your new Kraus product at: **www.kraususa.com/product-registration**

Sincerely,

Kraus Customer Service Department

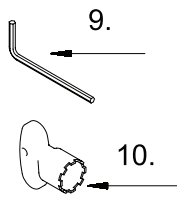
BEFORE INSTALLATION

Check to make sure you have the following parts:

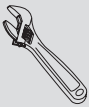


Included Parts:

- Faucet
- Rubber Washer
- Metal Washer
- Mounting Nut
- Mounting Screws
- Base Trim Ring
- Rubber Washer
- Hot & Cold Waterlines



TOOLS REQUIRED:



Adjustable
Wrench



Pipe Tape



Phillips Head
Screwdriver



Silicone
Sealant



Hex
Wrench

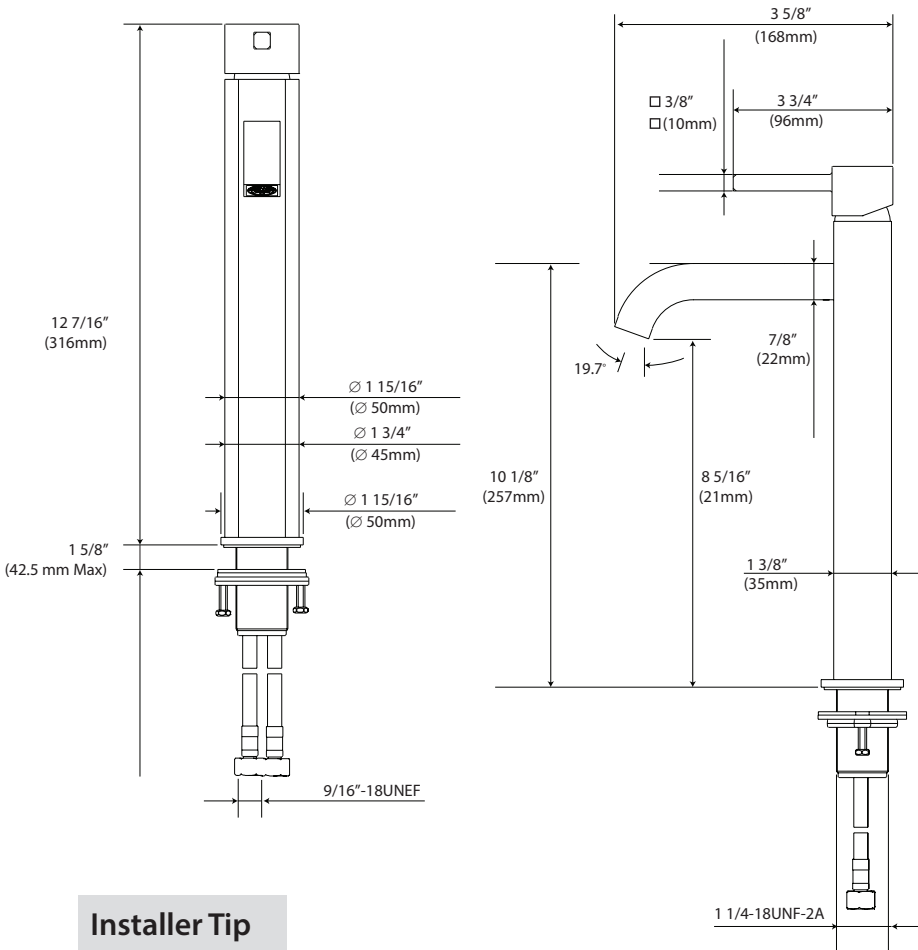
Installer Tip

Shut off main water supply before installation.

Safety Tips

- If soldering the water connections when installing the faucet, remove the O-rings, cartridges, and washers before applying any heat
- Protect your eyes with safety glasses when cutting or soldering

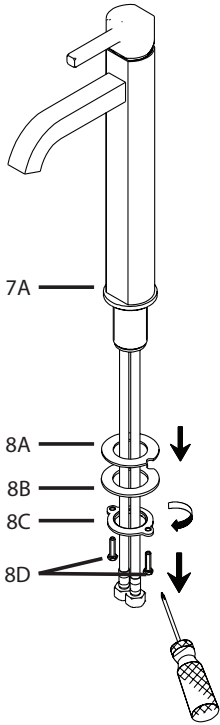
Faucet Installation Procedure



Installer Tip

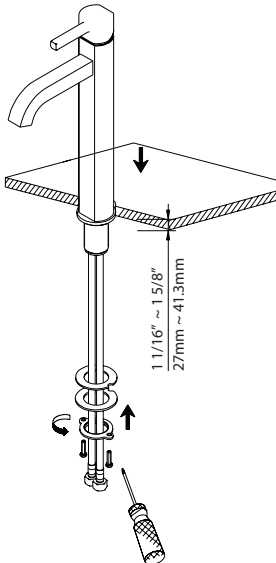
\varnothing - Hole Size $1 \frac{3}{8}''$

Step 1



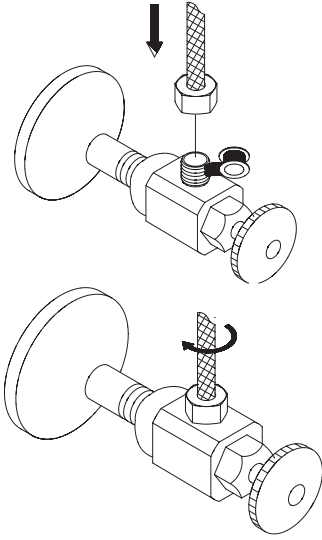
Remove rubber washer (8A), metal washer (8B), mounting nut (8C), and mounting screws (8D). Keep the base trim ring (7A) and rubber washer (7B) on the base of the faucet

Step 2



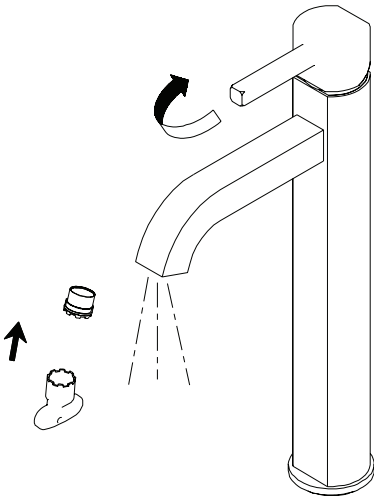
Install the faucet through the 1-3/8" predrilled hole in the countertop. Attach rubber washer (8A), metal washer (8B), mounting nut (8C), and mounting screws (8D) on the threaded mounting pipe. Tighten the mounting nut (8C) until snug. Tighten screws (8D) on the mounting nut (8C) with a Phillips head screw driver until snug

Step 3



Install flex water supply lines on the angle stops and tighten with an adjustable wrench. Turn on both the cold and hot main valves
Apply pipe tape (optional)

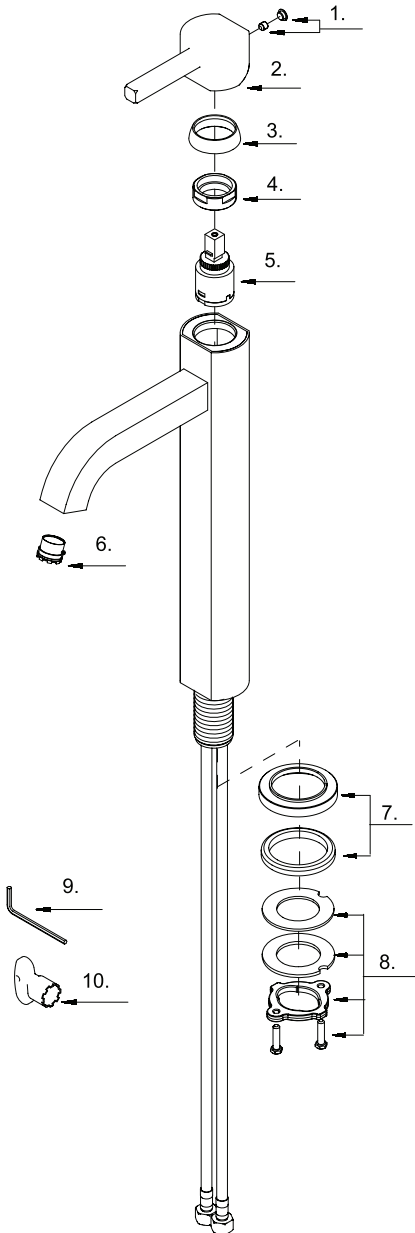
Step 4



After installing the faucet, remove the aerator (6) with the included aerator key (10). Turn on the water to remove any leftover debris, then reassemble the aerator (6)

Replacement Parts

Keep this manual for ordering replacement parts.



1. (A) Index Button
(B) Set Screw
2. Metal Handle
3. Trim Cap
4. Locking Nut
5. Ceramic Disc Cartridge
6. Aerator
7. Mounting Hardware
(A) Base Trim Ring
(B) Rubber Washer
8. Mounting Hardware
(A) Rubber Washer
(B) Metal Washer
(C) Mounting Nut
(D) Mounting Screws
9. Hex Wrench
10. Aerator Key

Trouble - Shooting

If you have followed the instructions carefully and your faucet still does not work properly, take the following corrective steps:

| PROBLEM | CAUSE | ACTION |
|--|---|---|
| Leakage under the handle | Adjusting locking nut (4) has come loose | Remove handle index button (1a). Loosen set screw (1b) with hex wrench (9). Remove handle (2) by hand only. Tighten locking nut (4) with an adjustable wrench |
| Aerator drips or has inconsistent water flow pattern | Aerator (6) is dirty or not seated properly | Unscrew aerator (6) with aerator key (10) and clean out debris |
| Water will not shut off completely | Cartridge may be defective | Remove handle index button (1a). Loosen set screw (1b) with hex wrench (9). Remove handle (2) by hand only. Unscrew trim cap (3) by hand only. Unscrew the locking nut (4) with an adjustable wrench. Remove ceramic disc cartridge (5). Check for cracks |
| Leaking between spout and body | Loose spout or damaged O-rings on connector | Tighten set screw under the spout |

Care & Maintenance



*To keep the product clean & shining, follow the steps below:

1. Rinse with clean water & dry with a soft cloth
2. Do not clean with soaps, acid, polish, abrasives, or harsh cleaners
3. Do not use a cloth with a coarse surface
4. Unscrew the aerator and clean when necessary

*This installation manual is subject to change without further notice.

Codes/Standards Applicable:

Specified model meets or exceeds the following: ANSI/ASME A112.18.1, cUPC, AB1953

KRAUS LIMITED LIFETIME WARRANTY

This product has been manufactured and tested to the highest quality standards by Kraus USA Inc. ("Kraus"). We offer our customers thoughtfully crafted fixtures & accessories, engineered for enduring performance over years of use.

WHO IS COVERED BY THE WARRANTY

This warranty extends to the original purchaser only. This warranty is not transferable, between homes or owners and is only applicable to residential use.

WHAT IS COVERED BY THE WARRANTY

Kraus warranties this product against defects due to material or craftsmanship error during the warranty period: Kraus will provide replacement parts at no charge, or at its option, replace any product or part of the product that is deemed defective, under normal installation, use, service and maintenance. If Kraus is unable to provide a replacement and repair is not practical or cannot be made in timely fashion, Kraus may elect to refund the purchase price in exchange for the return of the product.

CONDITIONS AND EXCLUSIONS

Like other home fixtures, Kraus products will require light maintenance to ensure proper function. We provide you with complete knowledge to perform this maintenance and can also recommend resources if you are unable to fulfill this service.

- A.** Kraus will not be responsible for product failures due to lack of maintenance or proper use. Please read your care and maintenance documentation to determine the limits of proper use.
- B.** The original sales receipt, order number, and/or proof of purchase must be presented at the time of the warranty claim, without exception, for this warranty to be applied to all Kraus products.

C. Kraus recommends installing all Kraus products with a licensed, professional plumber. Kraus will not be held responsible for any damage or product failure due to improper installation, misuse, or failure to use a licensed professional. Please read your care and maintenance documentation to determine the limits of proper use.

D. Commercial use will automatically void this warranty.

E. This warranty is not applicable to Kraus products purchased from an unauthorized seller. For a complete list of authorized sellers please visit <http://www.kraususa.com/where-to-buy.html>

NON-APPLICABILITY OF THIS WARRANTY

By the purchase and use of our products, you agree that Kraus is not liable for incidental, consequential or special damages associated with the return, replacement, installation or use of your product. This includes freight costs, cartridge replacement, labor, travel time, lost profit, home damages and other contingent liabilities and costs (including, without limitation, costs associated with experts, investigations, analyses, attorneys and other professionals and services). The Kraus warranty is a comprehensive and explicit limit of liability, and all items outside of it are not addressable by or the responsibility of Kraus. Certain states have variances regarding implied warranties and in those situations we remain fully compliant.

KRAUS USA Inc. makes no implication that products comply with any or all local building or plumbing codes. It is the consumer's responsibility to determine local code compliance. This warranty extends to the original purchaser and first consumer.

HELP LINE

For additional assistance at any point in the installation process, please call us at 1.800.775.0703 or email us at info@kraususa.com

Our customer service hours are Monday – Friday, 9am – 8pm EST.
Be sure to visit our website at www.kraususa.com.

Kräus®

www.kraususa.com