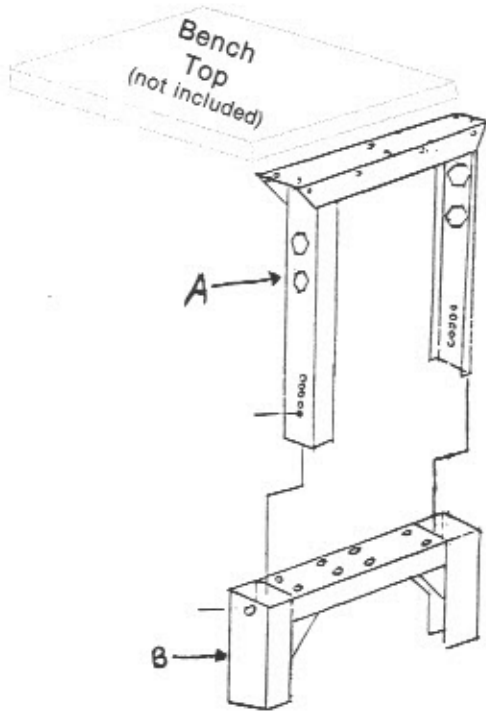


ASSEMBLY INSTRUCTIONS

BENCH LEGS

MODELS
 ABL30 (5W681)
 ABL36 (5W682)



1. Insert legs of Upper Leg (A) into opening of Leg (B).
2. Slide Upper Leg to desired height and secure with two 3/16" x 3/4" bolts and nuts.

ABL30 PARTS LIST 5W681

REFERENCE LETTER	QUANTITY AND DESCRIPTION	PART NUMBER
A	2 Upper Leg (ABL30)	5W681L
B	2 Leg Base	5W681B
	1 Hardware Pack (4) 3/16" x 3/4" bolts & nuts	5W681HP

ABL36 PARTS LIST 5W682

REFERENCE LETTER	QUANTITY AND DESCRIPTION	PART NUMBER
A	2 Upper Leg (ABL36)	5W682L
B	2 Leg Base	5W682B
	1 Hardware Pack (4) 3/16" x 3/4" bolts & nuts	5W682HP