

Dishwasher

Installation manual

DW60R2014US/DW60R2014AP



SAMSUNG

Contents

Installation	3
What's included	3
Installation requirements	6
Dimensions and specifications	8
Step-by-step installation	10

Installation

Follow these instructions carefully to ensure proper installation of the dishwasher and to prevent accidents when washing dishes.

What's included

Make sure all the parts are included in the product package. If you have a question about the dishwasher or the parts, contact a local Samsung customer center or your retailer. The actual appearance of the dishwasher may differ, depending on your model and country.

⚠ CAUTION

After unpacking the dishwasher, keep the packaging materials out of children's reach to ensure their safety.

DW60R2014AP



Top brackets (2 ea)



Ø4 X 14 screws
(10 ea)



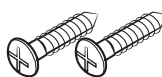
Sub foot (3 ea)



Custom panel
fixers (wood panel
holders, 2 ea)



Ø3.5 X 45 screws
(4 ea)



Ø3.5 X 25 screws
(2 ea)



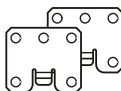
Ø3.5 X 16 screws
(2 ea)



Nut connector &
seal (for 90° fitting)



Plastic caps (2 ea)



Door bracket (2 ea)



Installation

DW60R2014US



Top brackets (2 ea)



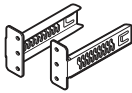
Ø4 X 14 screws
(2 ea)



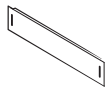
Sub foot (3 ea)



Ø3.5 X 16 screws
(2 ea)



Kick plate brackets
(2 ea)



Kick plate



Nut connector &
seal (for 90° fitting)



Plastic caps (2 ea)

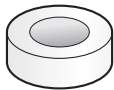


Kick plate bolt
(4 ea)



Kick plate nut
(4 ea)

Installation kit (not provided)



Electrical tape &
Standard duct tape



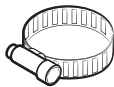
Hot water line



90° Fitting (¾")



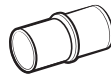
Tube fittings



Hose clamp



Air gap



Rubber connector



Teflon tape or
sealing compound

WARNING

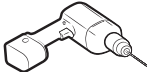





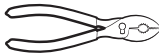






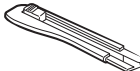



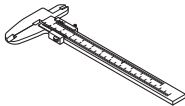
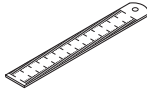
Do not use plastic tubing. Plastic tubing can deteriorate over time and cause a leak inside the tube fitting.



NOTE

- For the hot water line, we strongly recommend using 3/8" minimum O.D. copper tubing with a compression fitting or a flexible stainless steel braided hot water supply line.
- You also need a 90° Fitting with 3/4" N.P.T. external pipe threads on one end and a fitting sized to fit your hot water line (copper tubing/compression fitting or braided hose) on the other.
- For the power cable, we recommend a jacketed grounded 12-2 cable. Note that some local codes may require the cable to have a BX style metal jacket.

Tools required (not provided)

			
Electric drill	Safety glasses	Gloves	Flashlight
			
Adjustable wrench	Torx T15	Pliers	Nipper
			
Tape measure	Pencil	Phillips screwdriver	Flat head screwdriver
			
Tubing cutter	Cutting knife	Level	Hole saw
			
Hex L-wrench	Vernier calipers	Steel ruler	

Installation

Installation requirements

To prevent a risk of fire, electric shock, or personal injury, all wiring and grounding must be done by a qualified technician.

Power supply

- To prevent the risk of fire, electric shock, or personal injury, all wiring and grounding must be performed in accordance with the National Electrical Code ANSI/FNPA, No. 70 Latest Revision and local codes and ordinances. It is the personal responsibility of the appliance owner to provide adequate electrical service for this appliance.
- When preparing for installation, make sure that your power supply provides an individual 120 Volt, 60 Hz branch circuit serving only your dishwasher with a 15 AMP fuse or circuit breaker.
- Your dishwasher must be grounded. If your dishwasher malfunctions or breaks down, grounding will reduce the risk of electric shock by providing a path of least resistance for the electric current.

WARNING

- Do not use an extension cord.
- Use only the power plug that comes with the dishwasher.

Grounding

For permanent grounding, the dishwasher must be properly grounded to a grounded metal or permanent wiring system. The grounding conductor must be run with the circuit conductors and then connected to the grounding terminal or lead on the dishwasher.

WARNING

- Do not connect the ground wire to plastic plumbing, gas lines, or hot water pipes. Improperly connected grounding conductors may cause electric shock.
- Do not modify the power plug of the dishwasher. If the power plug does not fit the outlet, have a proper outlet installed by a qualified electrician.



Water supply

- The hot water supply line must support water pressures between 20 psi and 120 psi (140-830 kPa).
- Water temperatures must be between 120 °F (49 °C) and 149 °F (65 °C).

To reduce a risk of leaks:

- Make sure water taps are easily accessible.
- Turn the water tap off when the dishwasher is not in use.
- Check for any leaks at the water hose fittings on a regular basis.

Flooring

For safety, the dishwasher must be installed on a solidly constructed floor. Wooden floors may need to be reinforced to minimize vibrations. Avoid installing on carpet or soft tile. Carpeting and soft tile may cause vibrations and may cause your dishwasher to move slightly while operating.

WARNING

Do not install the dishwasher on a poorly supported structure.





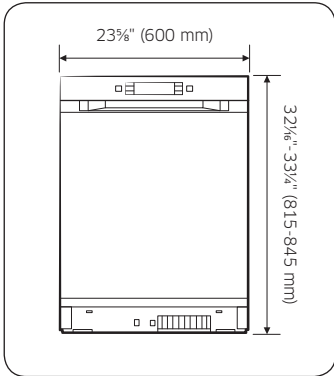
Installation

Installation

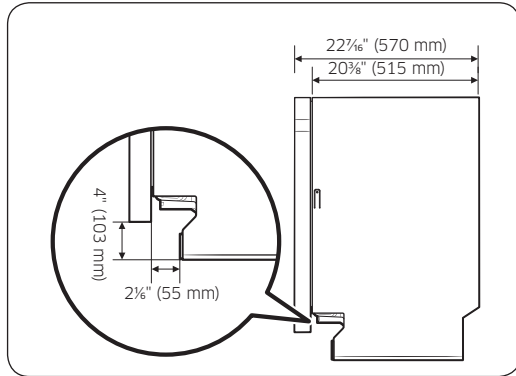
Dimensions and specifications

Dishwasher

DW60R2014US Series (Built Under model)

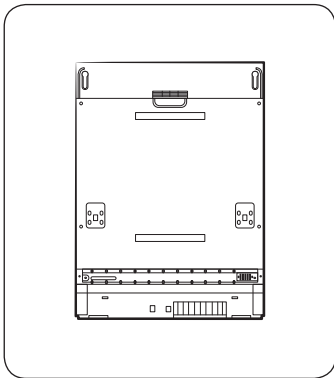


Front view

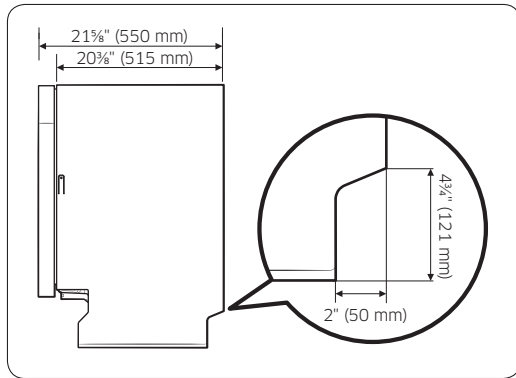


Side view

DW60R2014AP Series (Fully Built In model)



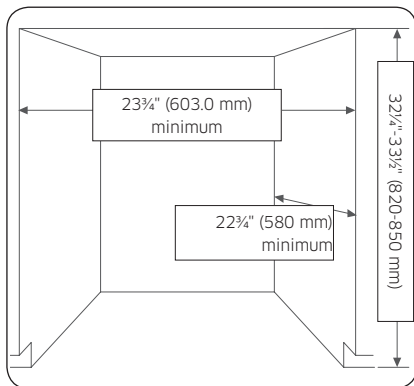
Front view



Side view



Cabinet



- This dishwasher is designed to be enclosed on the top and on both sides by a standard, residential kitchen cabinet.
- The installation enclosure must be clean and free of any obstructions.
- The enclosure must be at least 23 3/4" wide, 22 3/4" deep, and 32 1/4" high.
- For the front door of the dishwasher to be flush with the leading edge of the countertop, the countertop must be at least 23" deep.

Specifications

Specifications are subject to change without notice for improved quality. The actual appearance of the dishwasher may differ from the illustrations in this manual.

Power supply	120 V, 15 A, 60 Hz AC
Water pressure	20-120 psi (140-830 kPa)
Dimensions (Width x Depth x Height)	DW60R2014US : 23 3/8" x 22 7/16" x 32 1/16" in. (600 x 570 x 815 mm) DW60R2014AP : 23 3/8" x 21 1/8" x 32 1/16" in. (600 x 550 x 815 mm)
Minimum inlet water temperature	120 °F (49 °C)

Installation

Step-by-step installation

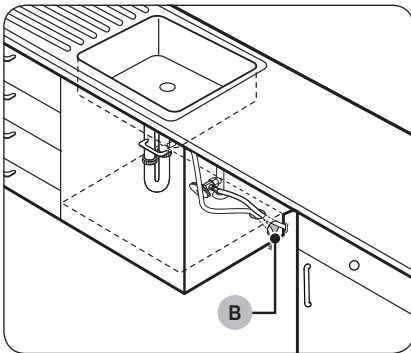
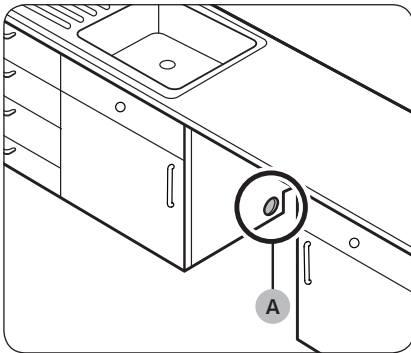
The installation procedure may differ depending on the model.

STEP 1 Select a location

Select a location that meets the following conditions.

- The location must have a solid floor that can support the weight of the dishwasher.
- The location must be near a sink (9.8 ft/3 m) with easy access to the water supply, drain system, and electrical outlet.
- The location must let you load dishes into the dishwasher easily.
- The location must have sufficient space for the dishwasher door to open easily and provide enough space between the dishwasher and the cabinet sides (at least 0.1 inch/2 mm).
- The rear wall must be free of obstructions.

Installation in a new location



If you install the dishwasher in a new location, follow these instructions before installing the dishwasher.

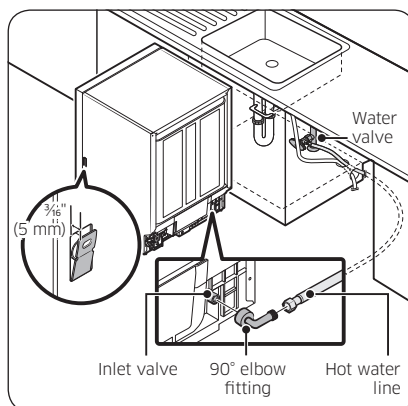
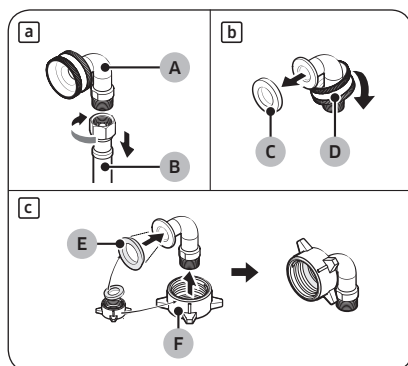
1. Using a hole saw, cut a hole into the side of the cabinet that holds the sink (A).
2. If the base inside the sink cabinet is raised above the kitchen floor and is higher than the connections on the dishwasher, make a hole in the base inside the cabinet and in the cabinet side (B).

NOTE

- If you are replacing an old dishwasher, check the existing connections for compatibility with the new dishwasher and replace the connections as needed.
- You may need to cut a hole in the opposite side of the cabinet according to the location of the electrical outlet.

STEP 2 Connect the hot water line

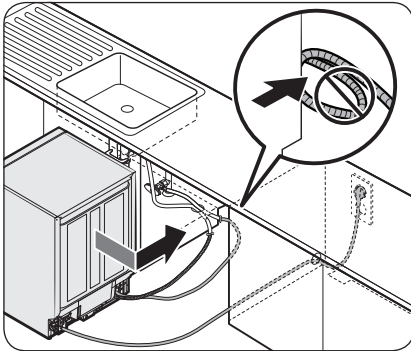
- The water line pressure must be between 20 psi and 120 psi (140–830 kPa).
- Make sure that the water temperature is delivered between 120 °F and 149 °F (49–60 °C). Exceeding this limit may cause the dishwasher to malfunction.
- Make sure that the circuit breaker and water valve is turned off before connecting the water supply line to the dishwasher.
- Make sure the water line is properly connected. Wrap Teflon tape around every connection and joint to prevent water leaks.



1. Use the provided nut connector to connect the water hose to the dishwasher.
Follow these steps:
 - a. Disconnect the 90° fitting (A) from the hose (B).
 - b. Remove the seal (C) and the nut (D) from the 90° fitting.
 - c. From the provided nut connector, separate the seal (E) and the nut (F), and then assemble them to the 90° fitting as shown in the figure. You must insert the smaller side of the seal.
2. Insert the $\frac{3}{4}$ " 90-degree fitting into the inlet valve. Tighten the fitting until it points towards the water-hose channel in the base of the dishwasher. Do not overtighten.
3. Connect the hot water line to the fitting.
4. If you want to secure the dishwasher to the side wall for extra stability, bend the brackets of the left and right housings by referring to the figure.

Installation

STEP 3 Arrange the hoses



1. Arrange the power cable and the drain hose so that they move together.
2. Gently move the dishwasher to the installation space under the sink. While moving the dishwasher, pull any excess portions of the water line, drain hose, and power cable into the space.

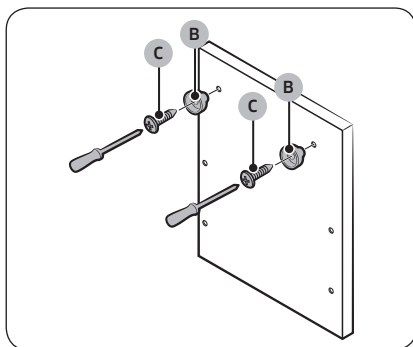
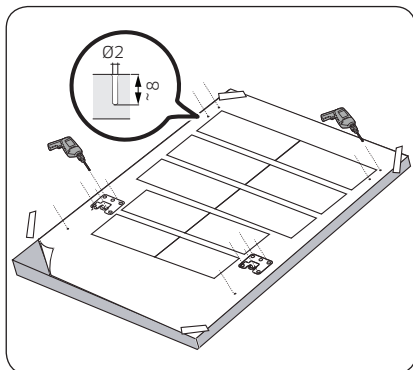
NOTE

For DW60R2014US models, go to STEP 6.

CAUTION

- Use caution not to kink or step on the power plug or the hoses.
- Location of the outlet can not be placed behind the dishwasher.

STEP 4 Install the custom panel (FBI models only (DW60R2014AP))

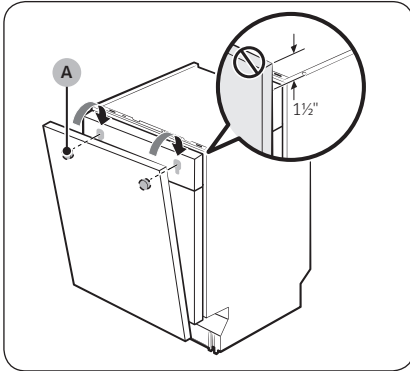


1. Put the installation template on the back of the custom panel and fix it temporarily using transparent tape. Note that the rear of the custom panel will be attached to the dishwasher door.

⚠ CAUTION

- The top end of the custom panel must be aligned with the top end of the installation template.
 - Use a custom panel between 7 lbs and 18 lbs.
2. Pre-drill the 14 points marked on the installation template using a 2-pi drill bit to a depth of ~8 mm.
 3. Remove the installation template and tighten the custom panel fixers (B) at the top with 2 screws (C, Ø3.5 X 25) as shown.

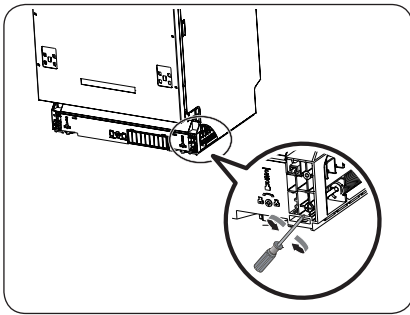
Installation



4. While holding the custom panel, attach it to the door and insert the **custom panel fixers (A)** into the corresponding holes at the top of the door as shown.
5. Push the custom panel downward to fix.

⚠ CAUTION

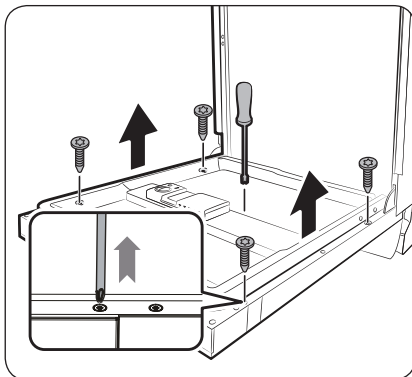
Do not let the custom panel extend more than 1½" from the top of the dishwasher.



6. Adjust the spring level while the door is approximately opened at 30 degrees. The door should hold its position, and should not fall open.

⚠ CAUTION

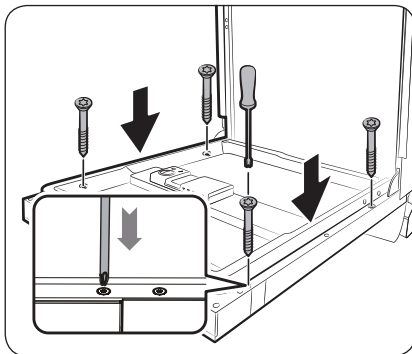
- Do not adjust the spring level while the door is completely opened.
- If the custom panel weighs more than 18 lbs (8 kg), the door may fall open. Custom panels weighing more than 18 lbs (8 kg) are not recommended.



7. Open the dishwasher door and remove the 4 screws using the Torx T15 screwdriver.

⚠ CAUTION

Use caution when opening the door. The door might open or close unexpectedly if the spring level is not adjusted appropriately, resulting in physical injury.

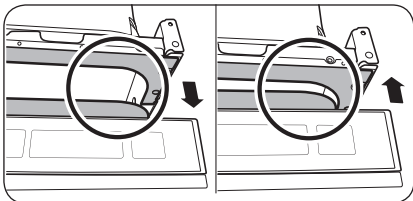
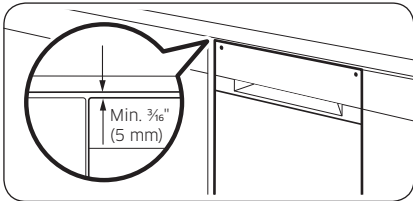
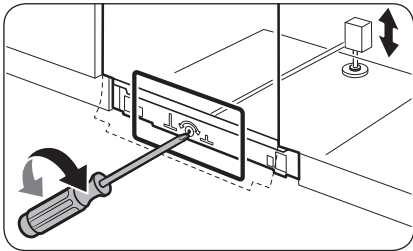
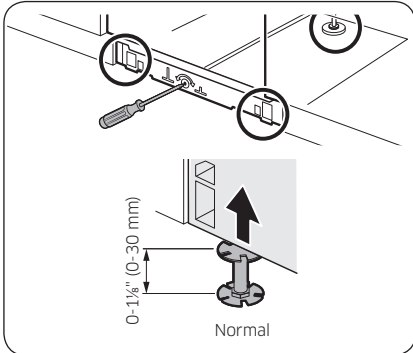


8. Secure the custom panel to the door by fastening the 4 screws (Ø3.5 X 45) using the Torx T15 screwdriver.



Installation

STEP 5 Level the dishwasher



You can adjust the height of the dishwasher to level it. Note that in these steps, the dishwasher is currently inserted halfway.

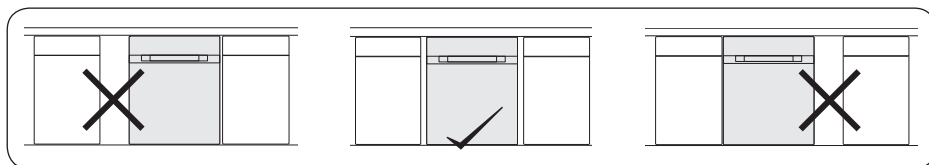
1. Use the level to check if the dishwasher is level.
2. When adjusting the front height, use the regular foot for heights lower than 1½".
 - To lower the height, turn the foot clockwise.
 - To raise the height, turn the foot counter clockwise.
3. To adjust the rear height, insert the screwdriver in the bottom center of the dishwasher.
 - To lower the height, turn the screwdriver clockwise.
 - To raise the height, turn the screwdriver counter clockwise.
4. Leave at least a 3/16" space between the top of the dishwasher and the bottom of the countertop.
5. When levelling is complete, check if the door opens and closes properly.



STEP 6 Secure the dishwasher

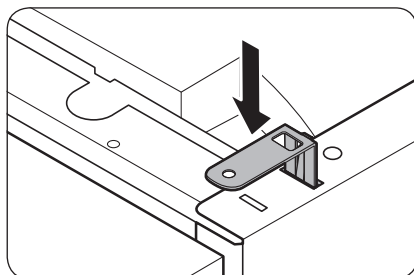
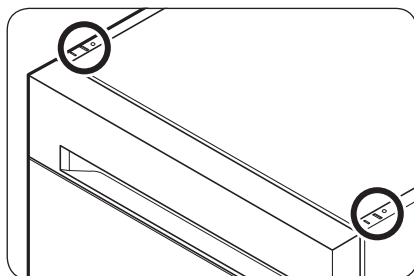
Correct positioning

Before securing the dishwasher, make sure the dishwasher is positioned in the center.



To the countertop

You can use the brackets to secure the dishwasher to the countertop. Alternatively, you can drill the side holes to secure the dishwasher to the cabinet sides.



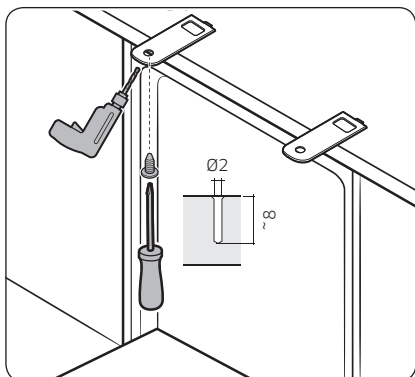
1. Put a large towel on the bottom of the dishwasher (covering the sump) to prevent wood shavings or screws from falling into the dishwasher sump.
2. Insert the provided brackets into the top front holes of the dishwasher as shown.
3. Insert the dishwasher fully into place under the countertop.
4. Carefully drill 2 screw holes into the bottom of the countertop from beneath, one for each countertop bracket.
 - Make sure the hole you drill is smaller than the diameter of the screw.
5. Insert the provided screws into the hole of brackets, and then tighten to secure the dishwasher to the countertop.

NOTE

Use a magnetic screwdriver to help prevent screws from falling into the dishwasher.



Installation



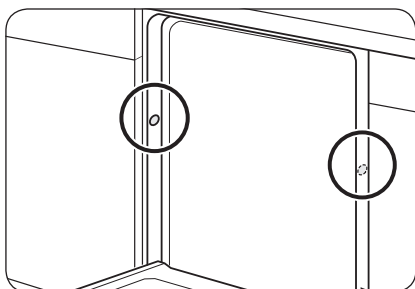
6. Insert the provided screws into the brackets, and then tighten to secure the dishwasher to the countertop.

NOTE

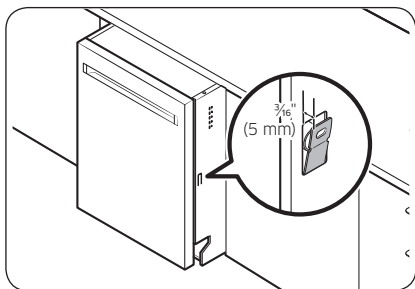
Use a magnetic screwdriver to help prevent screws from falling into the dishwasher.

7. Connect the water hose, but do not open the water tap until installation is complete.

To the side walls

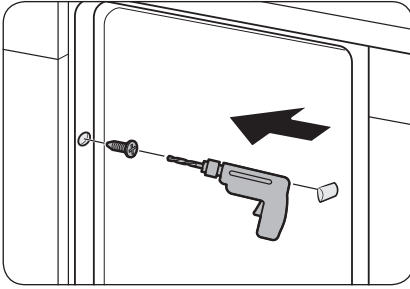


1. Put a large towel on the bottom of the dishwasher (covering the sump) to prevent wood shavings or screws from falling into the dishwasher sump.



2. To prevent damage to the drain hose through the water supply line, slightly pull out the dishwasher and bend the built-in ear brackets of the left and right housings by $\frac{3}{16}$ " (5 mm). When done, reinsert the dishwasher with its center aligned.





3. Drill one hole into both sides of the kitchen cabinet, totaling 2 screw holes.
 - Make sure the hole you drill is smaller than the diameter of the screw.
 - Make sure the drill bit does not strike the sides of the spacer cap holes.
4. Tighten the provided screws into the holes to secure the dishwasher to the cabinet.
5. Insert the provided plastic caps to the 2 places where screws are fastened.

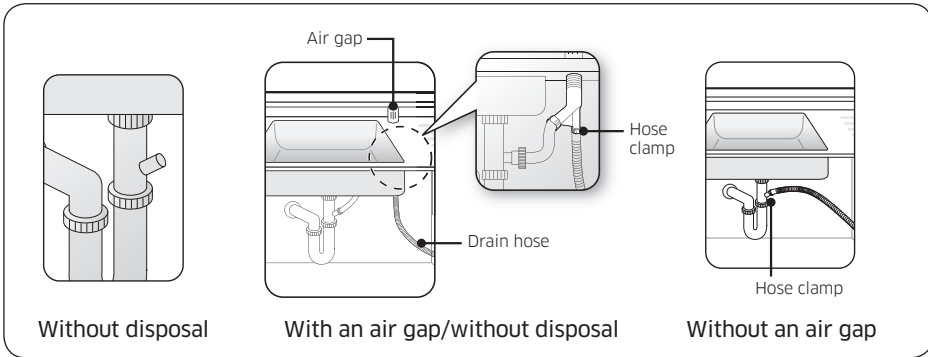


Installation

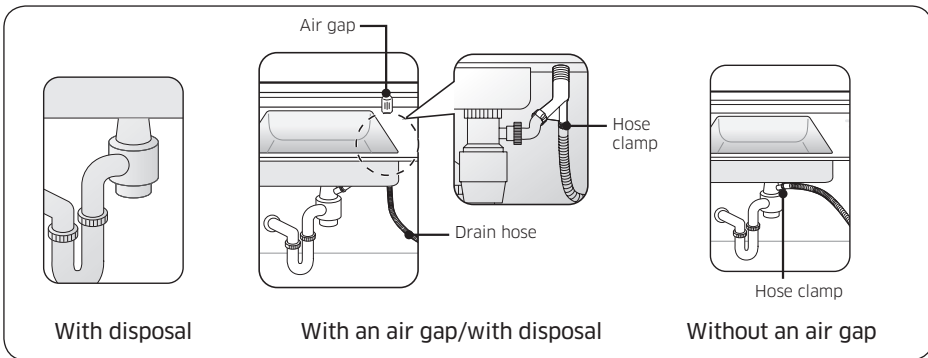
Installation

STEP 7 Connect the drain hose

There are several ways to insert the drain hose into the drain hose connector of the sink. You must connect the drain hose in accordance with the water pipe installation regulations in your region.

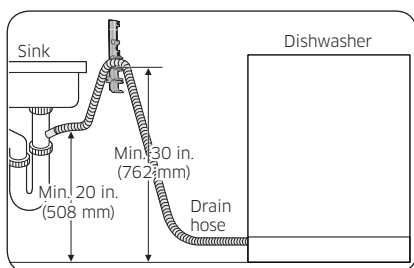
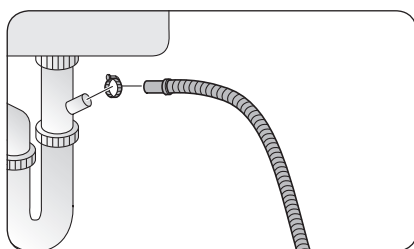
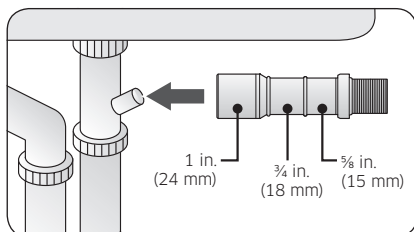


Drain system with no waste-disposal



Drain system with a waste-disposal





1. Check the size of the sink's drain hose connector. If needed, cut the drain hose so its end fits into the sink connector.

NOTE

If the drain hose does not fit into the sink connector, you can purchase an adaptor at a plumbing/hardware store.

2. Insert the drain hose into the sink connector, slide the hose clamp to the end of the hose, and then tighten the hose clamp.
3. When drilling a hole for the drain hose on the cabinet wall, use caution not to damage the drain hose on the sharp edges of the hole.
 - On wooden walls, use sand paper to soften the edges.
 - On metal walls, use insulation tape or duct tape to cover the sharp edges around the hole.
4. Secure the drain hose to the sink wall using cable ties or other fastening materials.
5. If there is no air gap, make sure to hang the middle of the drain hose well above the sink cabinet base to prevent back-flow (See the image on the left side).

CAUTION

- Use caution not to damage the drain hose when installing the dishwasher.
- Install the drain system properly so that the drain hose does not disconnect from the drain outlet in the draining process.
- Make sure that the drain hose, supply hose, or power cord is not kinked or folded.



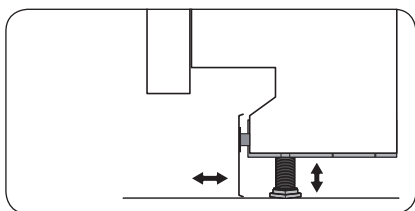
Installation

STEP 8 Final check

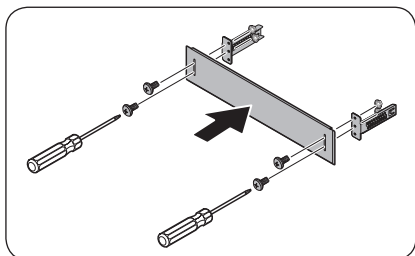
1. Remove all foam, paper packaging, and unnecessary parts from inside the dishwasher.
2. Turn the circuit breaker on.
3. Open the water valve to supply water to the dishwasher.
4. Plug in the dishwasher.
5. Turn the dishwasher on, and then select and run a cycle.
6. Check if the dishwasher turns on normally and if there are any water leaks while the dishwasher is operating. Make sure to check for water leaks on both ends of the water line and the drain hose connector.
7. Check if the kick plate gasket is attached to the bottom of the kick plate. To install the kick plate, see the **Kick plate** section below.

Kick plate (BU model only)

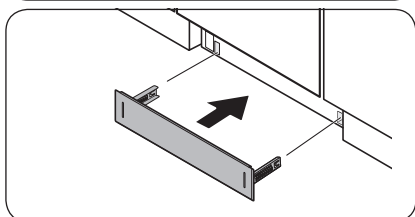
If you want to install the kickplate, follow these instructions.

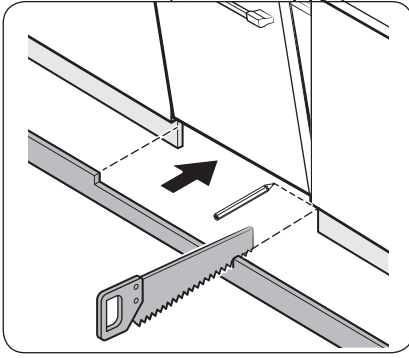


1. Turn the front legs of the dishwasher to adjust the height so that the kick plate fits in.



2. Attach the kickplate to the dishwasher using the kickplate brackets. Make sure the kickplate brackets are in the correct direction. See the figure for details.





3. If you use the furniture plate instead of the kickplate, cut out the portion of the furniture plate that interrupts with the door before attaching the furniture plate to the dishwasher.

SAMSUNG

QUESTIONS OR COMMENTS?

COUNTRY	CALL	OR VISIT US ONLINE AT
U.S.A	1-800-SAMSUNG (726-7864) 1-844-SAM-PAYS (726-7297)	www.samsung.com/us/support
CANADA	1-800-SAMSUNG(726-7864) 1-844-SAM-PAYS (726-7297)	www.samsung.com/ca/support (English) www.samsung.com/ca_fr/support (French)
MEXICO	01-800-SAMSUNG (726-7864)	www.samsung.com/mx/support



DD81-02707A-00

Lave-vaisselle

Manuel d'installation

DW60R2014US/DW60R2014AP



SAMSUNG

Table des matières

Installation	3
Accessoires fournis	3
Conditions indispensables à l'installation	6
Dimensions et caractéristiques techniques	8
Installation étape par étape	10

Installation

Suivez attentivement ces instructions pour installer correctement votre lave-vaisselle et éviter tout accident lors du lavage de votre vaisselle.

Accessoires fournis

Vérifiez que toutes les pièces se trouvent dans l'emballage du produit. Pour toute question relative au lave-vaisselle ou aux pièces, contactez le service client Samsung ou votre revendeur. L'aspect de votre lave-vaisselle peut être différent selon le modèle et le pays.

⚠ ATTENTION

Après avoir retiré l'emballage du lave-vaisselle, gardez l'emballage hors de portée des enfants pour des raisons de sécurité.

DW60R2014AP



Supports du haut
(2 pièces)



Ø 4 X 14 vis
(10 pièces)



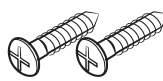
Sous-pied (3 pièces)



Fixations du panneau
personnalisé (supports
du panneau en bois,
2 pièces)



Vis Ø3,5 X 45
(4 pièces)



Vis Ø3,5 X 25
(2 pièces)



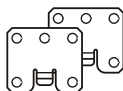
Vis Ø3,5 X 16
(2 pièces)



Raccord à écrou et
joint (pour le raccord
à 90°)



Bouchons en plastique
(2 pièces)



Supports de la porte
(2 pièces)

Installation

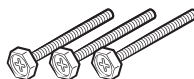
DW60R2014US



Supports du haut
(2 pièces)



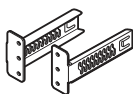
Ø4 X 14 vis (2 pièces)



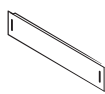
Sous-pied (3 pièces)



Vis Ø3,5 X 16
(2 pièces)



Supports de la
plaque de protection
(2 pièces)



Plaque de protection



Raccord à écrou et
joint (pour le raccord
à 90°)



Bouchons en plastique
(2 pièces)



Boulons de la
plaque de protection
(4 pièces)



Écrous de la plaque de
protection (4 pièces)

Kit d'installation (non fourni)



Ruban isolant et
ruban pour conduits
standard



Tuyau d'eau chaude



Raccord à 90° (3/4")



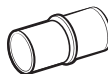
Raccords pour tuyaux



Collier de serrage



Coupeure
antirefoulement



Raccord en caoutchouc



Ruban Téflon ou
composé d'étanchéité

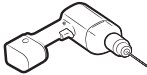


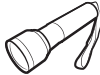


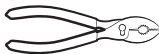






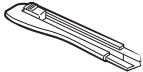



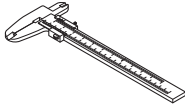
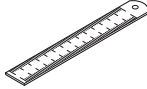
⚠ AVERTISSEMENT

n'utilisez pas de tube plastique ; il risque de se détériorer avec le temps et de provoquer des fuites dans le raccord.

REMARQUE

- Tuyau d'eau chaude : un tuyau en cuivre d'au moins $\frac{3}{8}$ " (diamètre extérieur) avec raccord à compression ou un flexible d'alimentation eau chaude tressé en inox est fortement recommandé.
- Coude de 90° avec filetage NPT externe de $\frac{3}{4}$ " sur une extrémité et adapté au tuyau d'eau chaude (tuyau en cuivre/raccord de compression ou tuyau tressé) de l'autre.
- Pour le câble d'alimentation, nous vous recommandons d'utiliser un câble 12-2 gainé avec mise à la terre. Remarque : certains codes locaux peuvent exiger un câble avec gaine métallique de style BX.

Outils requis (non fournis)

			
Perceuse électrique	Lunettes de sécurité	Gants	Lampe de poche
			
Clé à molette	Tournevis Torx T15	Pincés	Pince coupante
			
Mètre à ruban	Crayon	Tournevis cruciforme	Tournevis plat
			
Coupe-tube	Couteau	Niveau	Scie-cloche
			
Clé hexagonale	Pieds à coulisse	Règle en acier	



Installation

Conditions indispensables à l'installation

Afin d'éviter tout risque d'incendie, d'électrocution ou de blessure, le câblage et la mise à la terre doivent être effectués par un technicien qualifié.

Alimentation

- Afin d'éviter tout risque d'incendie, de choc électrique ou de blessure, le câblage et la mise à la terre doivent être conformes au National Electrical Code (Code national sur les installations électriques) ANSI/FNPA, N°70 (dernière édition) et aux directives et règlements locaux en vigueur. Il relève de la responsabilité du propriétaire de l'appareil de fournir une installation électrique conforme.
- Au moment de préparer l'installation de l'appareil, assurez-vous que votre alimentation fournisse un circuit de dérivation de 120 V, 60 Hz, relié uniquement à votre lave-vaisselle avec un disjoncteur ou fusible de 15 A.
- Votre lave-vaisselle doit être mis à la terre. En cas de dysfonctionnement ou de panne, la mise à la terre permet de réduire le risque d'électrocution en créant un chemin de moindre résistance pour le courant électrique.

AVERTISSEMENT

- N'utilisez pas de rallonge.
- Utilisez exclusivement la fiche électrique fournie avec le lave-vaisselle.

Prise de terre

Pour une mise à la terre permanente, le lave-vaisselle doit être correctement mis à la terre via un système de câblage permanent ou métallique. Le conducteur de mise à la terre doit être associé aux conducteurs du circuit puis relié à la borne ou au fil de mise à la terre du lave-vaisselle.

AVERTISSEMENT

- Ne branchez pas le câble de mise à la terre sur des canalisations ou des conduites de gaz ou d'eau chaude. Le mauvais branchement des conducteurs de mise à la terre peut provoquer un choc électrique.
- N'altérez pas la fiche électrique du lave-vaisselle. Si elle ne se branche pas, faites installer une prise murale appropriée par un électricien qualifié.



Alimentation en eau

- La pression de l'arrivée d'eau chaude doit se situer entre 20 et 120 psi (140 et 830 kPa).
- Les températures d'eau doivent être comprises entre 120 °F (49 °C) et 149 °F (65 °C).

Réduire les risques de fuites :

- assurez-vous que les robinets sont facilement accessibles.
- Fermez le robinet lorsque le lave-vaisselle n'est pas utilisé.
- Vérifiez régulièrement que les raccords de tuyaux d'eau ne présentent pas de fuite.

Sol

Pour des raisons de sécurité, votre lave-vaisselle doit être installé sur un sol stable et solide. Les sols en bois peuvent nécessiter un renforcement pour diminuer les vibrations. Évitez de l'installer sur une moquette ou dalle souple. La moquette et les dalles souples peuvent générer des vibrations pouvant déplacer lentement votre lave-vaisselle lorsqu'il fonctionne.

AVERTISSEMENT

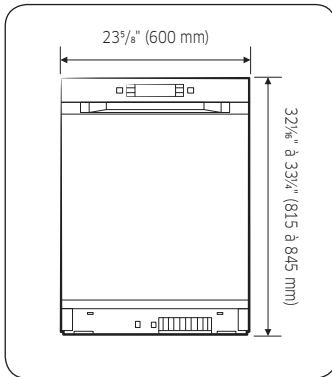
N'installez pas le lave-vaisselle sur une structure fragile.

Installation

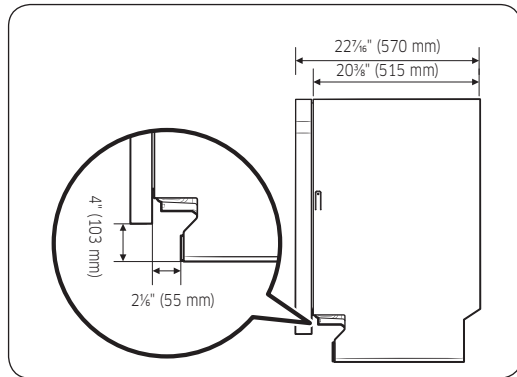
Dimensions et caractéristiques techniques

Lave-vaisselle

Série DW60R2014US (modèle sous plan de travail)

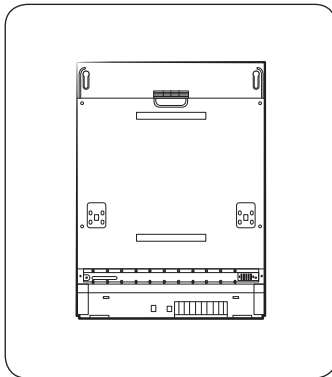


Vue avant

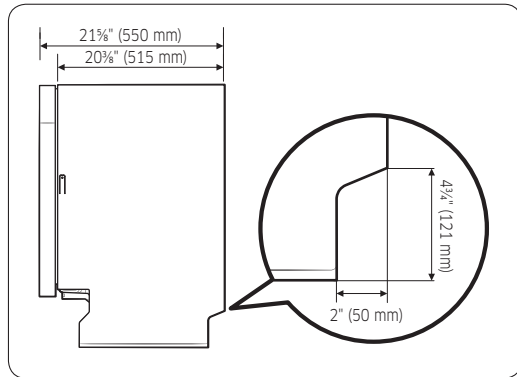


Vue latérale

Série DW60R2014AP (modèle complètement encastrable)



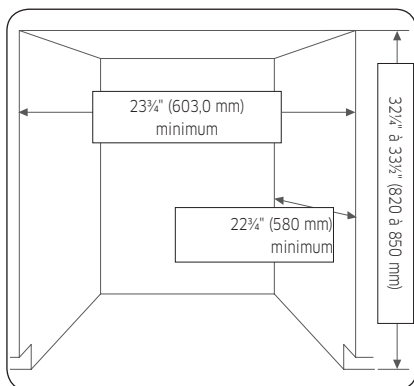
Vue avant



Vue latérale



Châssis



- Ce lave-vaisselle est conçu pour être encastré dans un meuble standard de cuisine domestique aussi bien sur le dessus que les deux côtés.
- L'emplacement d'installation doit être propre et dégagé.
- L'emplacement doit avoir une largeur de 23 $\frac{3}{4}$ " , une profondeur de 22 $\frac{3}{4}$ " et une hauteur de 32 $\frac{1}{4}$ ".
- Afin que la porte avant du lave-vaisselle soit parfaitement alignée avec le bord du plan de travail, ce dernier doit avoir une profondeur minimale de 23".

Installation

Caractéristiques techniques

Les caractéristiques techniques sont susceptibles d'être modifiées sans préavis, à des fins d'amélioration de la qualité. Le lave-vaisselle peut différer des illustrations présentées dans le présent manuel.

Alimentation	CA 120 V, 15 A, 60 Hz
Pression d'eau	20 à 120 psi (140 à 830 kPa)
Dimensions (largeur x profondeur x hauteur)	DW60R2014US : 23 $\frac{3}{8}$ x 22 $\frac{7}{16}$ x 32 $\frac{1}{16}$ po (600 x 570 x 815 mm) DW60R2014AP : 23 $\frac{3}{8}$ x 21 $\frac{3}{8}$ x 32 $\frac{1}{16}$ po (600 x 550 x 815 mm)
Température minimale de l'arrivée d'eau	120 °F (49 °C)



Installation

Installation étape par étape

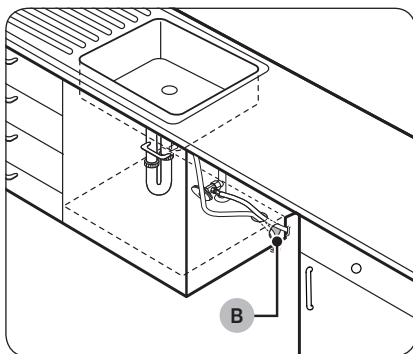
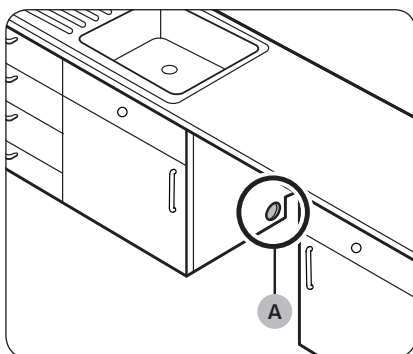
La procédure d'installation peut différer selon les modèles.

ÉTAPE 1 Choisir un emplacement

Choisissez un emplacement répondant aux conditions suivantes.

- Le sol de la pièce choisie doit pouvoir supporter le poids du lave-vaisselle.
- Choisissez un endroit situé près d'un évier (9,8 pi/3 m), à proximité d'une arrivée d'eau, d'un système d'évacuation et d'une prise électrique.
- Vous devez pouvoir charger la vaisselle facilement.
- Choisissez un emplacement qui vous permette d'ouvrir facilement la porte du lave-vaisselle et assurez-vous qu'il y ait un espace suffisant entre l'appareil et les parois l'entourant (au moins 0,1 po/2 mm).
- La paroi arrière ne doit pas être obstruée.

Installation dans un nouvel emplacement



Si vous installez le lave-vaisselle dans un nouvel emplacement, suivez ces instructions avant de procéder à l'installation.

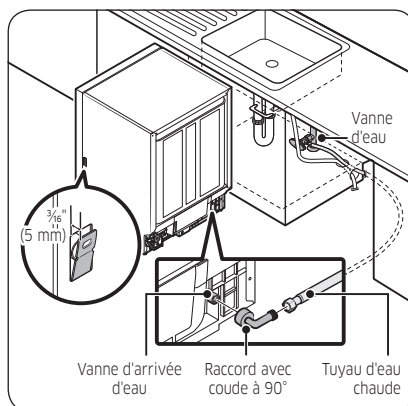
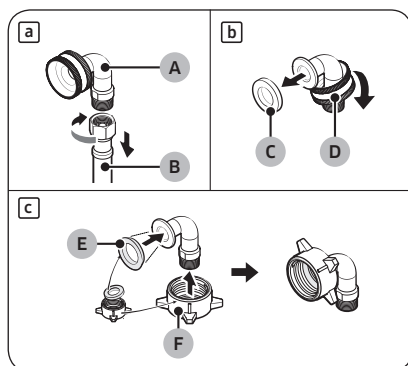
1. À l'aide d'une scie-cloche, effectuez un trou sur le côté du meuble qui porte l'évier (A).
2. Si la base à l'intérieur du meuble de l'évier est surélevée par rapport au sol de la cuisine et se trouve plus haute que les raccords du lave-vaisselle, effectuez un trou dans la base intérieure du meuble et sur le côté de ce dernier (B).

REMARQUE

- Si vous remplacez un ancien lave-vaisselle, vérifiez les branchements existants pour voir s'ils sont compatibles avec le nouveau lave-vaisselle et remplacez les branchements si nécessaire.
- Vous aurez peut-être besoin de percer le meuble du côté opposé selon l'emplacement de la prise électrique.

ÉTAPE 2 Brancher l'arrivée d'eau chaude

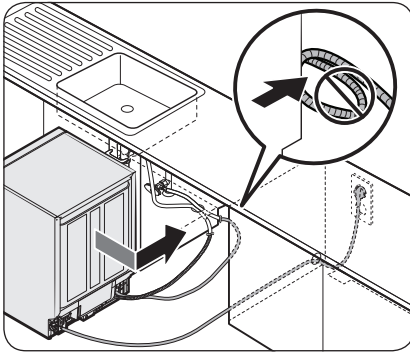
- La pression de l'eau doit être comprise entre 20 et 120 psi (140 à 830 kPa).
- Assurez-vous que la température de l'eau se situe entre 120 °F et 149 °F (49 °C et 60 °C). Le lave-vaisselle risque de dysfonctionner si cette limite est dépassée.
- Assurez-vous d'avoir fermé le robinet et d'avoir coupé le disjoncteur avant de raccorder le tuyau d'arrivée d'eau au lave-vaisselle.
- Assurez-vous que le tuyau d'eau est bien raccordé. Enroulez du ruban Téflon autour de chaque connexion afin d'empêcher toute fuite d'eau.



1. Utilisez le raccord à écrou fourni pour raccorder le tuyau d'eau au lave-vaisselle. Suivez les étapes ci-après :
 - a. Détachez le **raccord à 90° (A)** au niveau du **tuyau (B)**.
 - b. Retirez le **joint (C)** et l'**écrou (D)** au niveau du raccord à 90°.
 - c. Sur le raccord à écrou fourni, détachez le **joint (E)** et l'**écrou (F)**, puis installez-les sur le raccord à 90°, comme indiqué sur la figure. Vous devez insérer le côté le plus petit du joint.
2. Insérez un raccord de $\frac{3}{4}$ " à 90° dans la vanne d'arrivée d'eau. Serrez le raccord jusqu'à ce qu'il pointe vers la gouttière du tuyau d'eau située à la base du lave-vaisselle. Ne le serrez pas trop.
3. Branchez le tuyau d'eau chaude sur le raccord.
4. Si vous souhaitez fixer le lave-vaisselle à la paroi latérale pour plus de stabilité, recourrez les supports des corps gauche et droit en vous reportant à l'illustration.

Installation

ÉTAPE 3 Disposition des tuyaux



1. Veillez à ce que le câble d'alimentation et le tuyau d'évacuation se déplacent ensemble.
2. Placez délicatement le lave-vaisselle dans l'espace prévu sous l'évier. Tout en déplaçant le lave-vaisselle, tirez le tuyau d'eau, le tuyau d'évacuation et le câble d'alimentation dans cet espace.

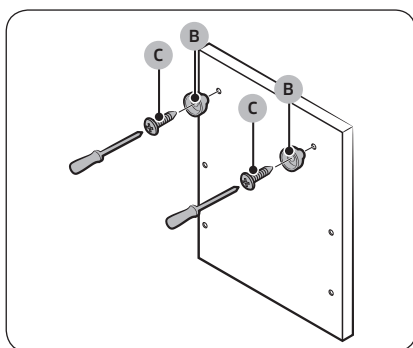
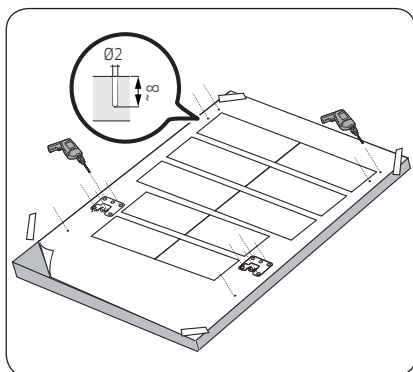
REMARQUE

Pour les modèles DW60R2014US, passez à l'ÉTAPE 6.

ATTENTION

- Veillez à ne pas marcher ni trébucher sur les tuyaux et la fiche électrique.
- La prise murale ne peut pas se trouver derrière le lave-vaisselle.

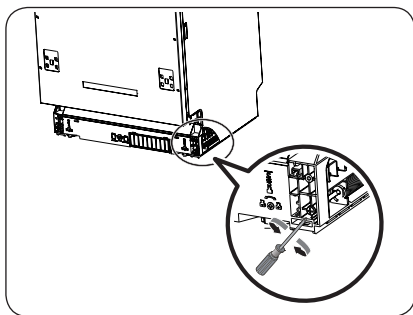
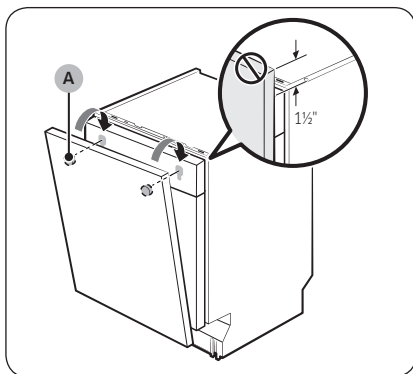
ÉTAPE 4 Installer le panneau personnalisé (modèles FBI (DW60R2014AP) uniquement)



1. Placez le gabarit de pose à l'arrière du panneau personnalisé et fixez-le temporairement à l'aide du ruban adhésif transparent. Notez que la partie arrière du panneau personnalisé sera fixée à la porte du lave-vaisselle.

⚠ ATTENTION

- Le haut du panneau personnalisé doit être aligné avec le haut du gabarit de pose.
 - Utilisez un panneau personnalisé pesant entre 7 et 18 lb.
2. Percez un avant-trou sur les 14 points repérés sur le gabarit de pose avec un foret de 2 pi à une profondeur d'environ 8 mm.
 3. Retirez le gabarit de pose et serrez les fixations du panneau personnalisé (B) en haut avec 2 vis (C, Ø3,5 X 25) comme indiqué.



4. Tout en tenant le panneau personnalisé, fixez-le à la porte et insérez les **fixations du panneau personnalisé (A)** dans les trous correspondants en haut de la porte, comme indiqué.
5. Appuyez sur le panneau personnalisé vers le bas pour le fixer.

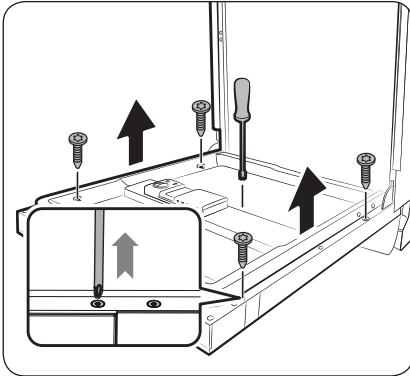
⚠ ATTENTION

Faites en sorte que le panneau personnalisé ne dépasse pas de plus de 1/2" du haut du lave-vaisselle.

6. Ajustez le niveau du ressort lorsque la porte est entrouverte à environ 30 degrés. La porte doit rester en position et ne pas continuer de s'ouvrir.

⚠ ATTENTION

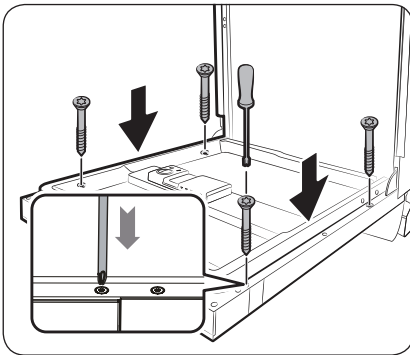
- N'ajustez pas le niveau du ressort lorsque la porte est complètement ouverte.
- Si le panneau personnalisé pèse plus de 18 lb (8 kg), la porte peut continuer de s'ouvrir. Les panneaux personnalisés pesant plus de 18 lb (8 kg) sont déconseillés.



7. Ouvrez la porte du lave-vaisselle et retirez les 4 vis à l'aide du tournevis Torx T15.

⚠ ATTENTION

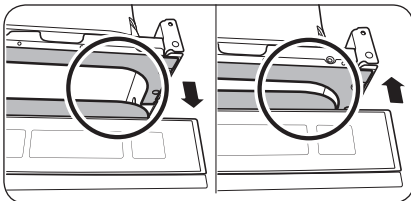
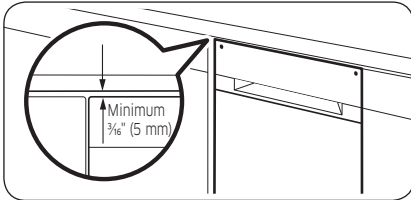
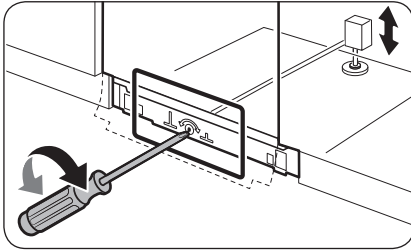
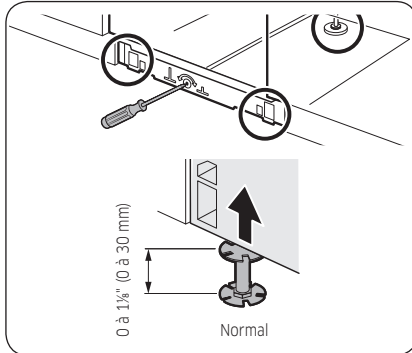
Soyez prudent à l'ouverture de la porte. La porte peut s'ouvrir et se fermer de façon inattendue si le niveau du ressort n'est pas réglé correctement, ce qui peut entraîner des blessures corporelles.



8. Stabilisez le panneau personnalisé sur la porte en serrant les 4 vis (Ø3,5 X 45) à l'aide du tournevis Torx T15.

Installation

ÉTAPE 5 Mettre à niveau le lave-vaisselle



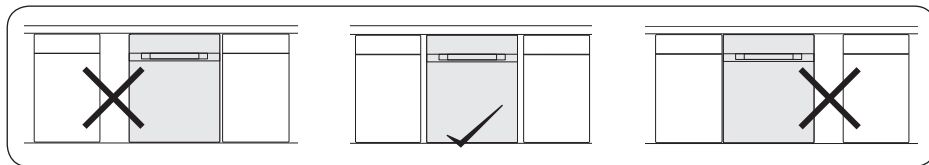
Vous pouvez régler la hauteur du lave-vaisselle pour le mettre à niveau. Notez que dans ces étapes, le lave-vaisselle est à moitié inséré.

1. Utilisez le niveau pour vérifier l'horizontalité du lave-vaisselle.
2. Lors du réglage de la hauteur à l'avant, utilisez le pied normal pour les hauteurs inférieures à 1 1/8".
 - Pour abaisser la hauteur, tournez le pied dans le sens horaire.
 - Pour lever la hauteur, tournez le pied dans le sens antihoraire.
3. Pour régler la hauteur à l'arrière, insérez le tournevis au milieu de la partie basse du lave-vaisselle.
 - Pour abaisser la hauteur, tournez le tournevis dans le sens horaire.
 - Pour lever la hauteur, tournez le tournevis dans le sens antihoraire.
4. Laissez un espace d'au moins 3/16" entre le haut du lave-vaisselle et la partie inférieure du plan de travail.
5. Lorsque la mise à niveau est terminée, vérifiez que la porte s'ouvre et se ferme correctement.

ÉTAPE 6 Fixer le lave-vaisselle

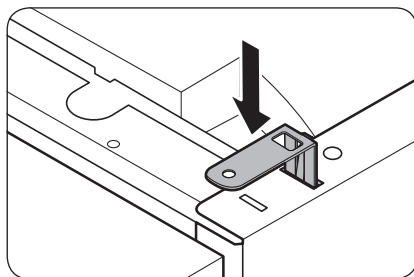
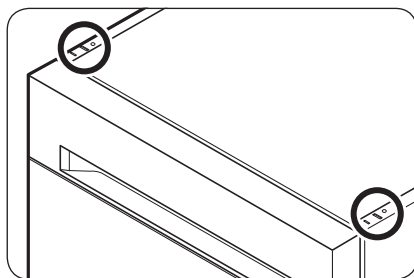
Bon positionnement

Avant de fixer le lave-vaisselle en place, assurez-vous qu'il est placé au centre.



Au plan de travail

Vous pouvez utiliser les supports pour fixer le lave-vaisselle au plan de travail. Sinon, vous pouvez percer les trous latéraux pour fixer le lave-vaisselle sur les côtés du meuble.

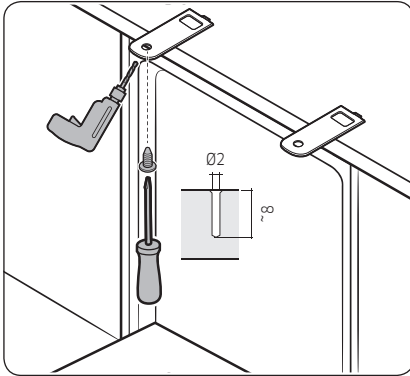


1. Placez une grande serviette au fond du lave-vaisselle (recouvrant le puits collecteur) afin d'empêcher que des copeaux de bois ou des vis ne tombent dans le puits collecteur de l'appareil.
2. Insérez les supports fournis dans les trous situés en haut à l'avant du lave-vaisselle, comme indiqué.
3. Insérez complètement le lave-vaisselle sous le plan de travail.
4. Percez délicatement 2 trous de vis sur le dessous de la partie inférieure du plan de travail, un pour chaque support d'installation.
 - Assurez-vous que le trou que vous percez soit plus petit que le diamètre de la vis.
5. Insérez les vis fournies dans les trous des supports, puis serrez-les pour fixer le lave-vaisselle au plan de travail.

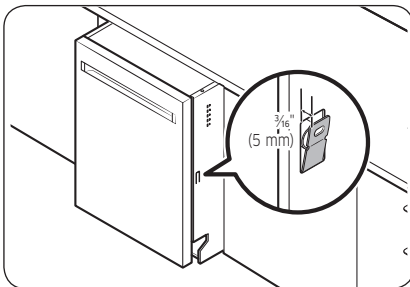
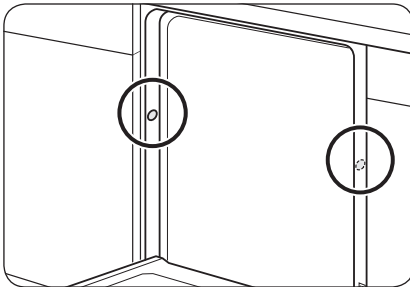
REMARQUE

Utilisez un tournevis magnétique pour éviter que les vis ne tombent.

Installation



Aux parois latérales



6. Insérez les vis fournies dans les supports, puis serrez-les pour fixer le lave-vaisselle au plan de travail.

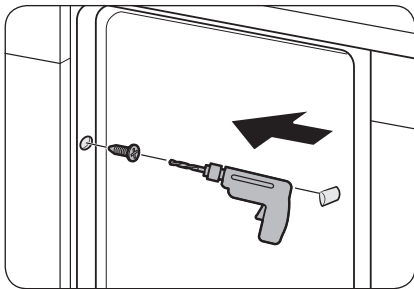
REMARQUE

Utilisez un tournevis magnétique pour éviter que les vis ne tombent.

7. Raccordez le tuyau d'eau, mais n'ouvrez le robinet qu'une fois l'installation terminée.

1. Placez une grande serviette au fond du lave-vaisselle (recouvrant le puits collecteur) afin d'empêcher que des copeaux de bois ou des vis ne tombent dans le puits collecteur de l'appareil.

2. Afin d'éviter d'endommager le tuyau d'évacuation via le tuyau d'arrivée d'eau, tirez le lave-vaisselle pour le sortir légèrement et recourbez de $\frac{3}{16}$ " (5 mm) les supports à oreilles intégrés sur les corps gauche et droit. Une fois cela fait, réinsérez le lave-vaisselle aligné au centre.

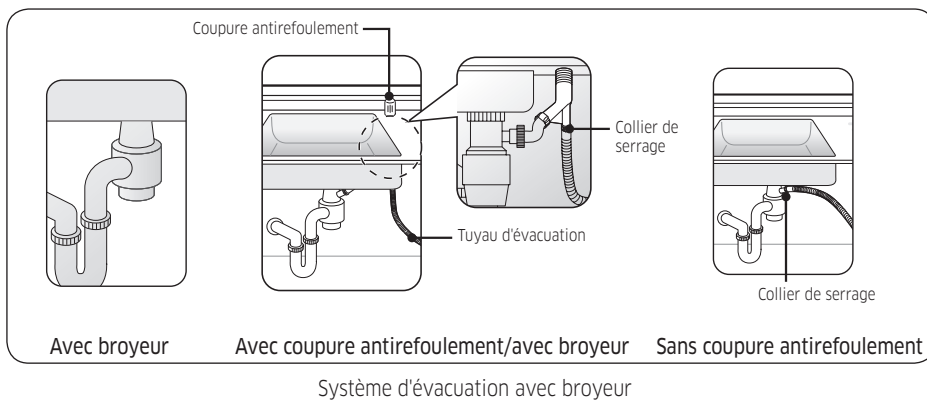
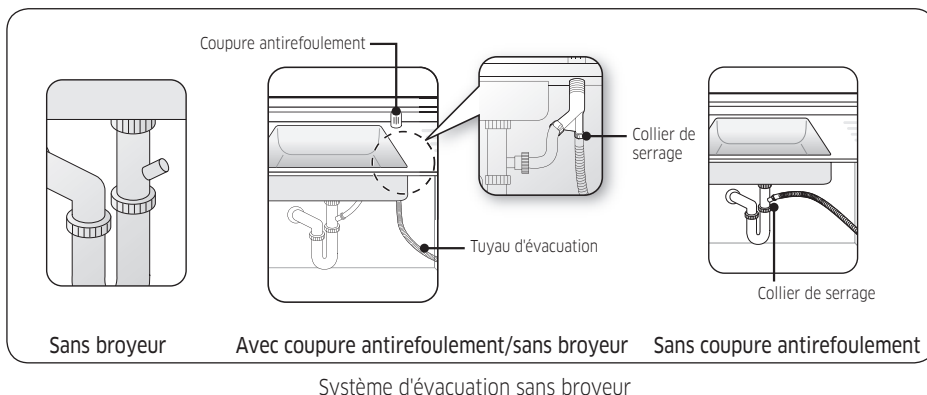


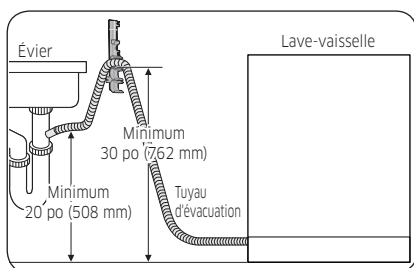
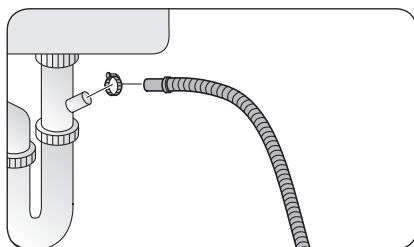
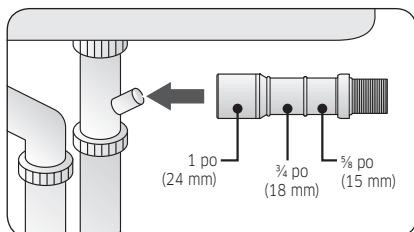
3. Percez un trou des deux côtés du meuble de cuisine pour obtenir 2 trous de vis.
 - Assurez-vous que le trou que vous percez soit plus petit que le diamètre de la vis.
 - Veillez à ce que le foret de la perceuse ne heurte pas les côtés des trous des cache-vis.
4. Serrez les vis fournies dans les trous pour fixer le lave-vaisselle au meuble.
5. Insérez les bouchons en plastique fournis sur les 2 emplacements où les vis sont serrées.

Installation

ÉTAPE 7 Raccorder le tuyau d'évacuation

Il existe plusieurs façons d'insérer le tuyau d'évacuation dans le raccord du tuyau d'évacuation de l'évier. Le raccordement du tuyau d'évacuation doit se faire conformément aux règlements sur l'installation de tuyaux d'eau en vigueur dans votre région.





1. Vérifiez la taille du raccord du tuyau d'évacuation de l'évier. Au besoin, coupez le tuyau d'évacuation pour que son extrémité s'adapte au raccord de l'évier.

REMARQUE

Si le tuyau d'évacuation n'est pas adapté au raccord de l'évier, vous pouvez vous procurer un adaptateur dans un magasin de bricolage.

2. Insérez le tuyau d'évacuation dans le raccord de l'évier, faites glisser le collier de serrage jusqu'à l'extrémité du tuyau et serrez le collier.

3. Lorsque vous percez un trou dans le tuyau d'évacuation sur la paroi du meuble, veillez à ce que les bords tranchants du trou n'endommagent pas le tuyau d'évacuation.
 - Sur les parois en bois, utilisez du papier abrasif pour poncer et rendre les bords plus lisses.
 - Sur les parois métalliques, utilisez du ruban isolant ou du ruban pour conduits pour couvrir les bords tranchants autour du trou.
4. Fixez le tuyau d'évacuation sur la paroi de l'évier à l'aide de serre-câbles ou d'autres matériaux de serrage.
5. S'il n'y a pas d'entrefer, assurez-vous d'accrocher la partie centrale du tuyau de vidange bien au-dessus de la base du meuble sous-évier pour empêcher le retour d'eau (reportez-vous à l'image sur la gauche).

ATTENTION

- Veillez à ne pas endommager le tuyau d'évacuation lorsque vous installez le lave-vaisselle.
- Installez correctement le système d'évacuation de sorte que le tuyau d'évacuation ne se débranche pas de la sortie d'évacuation pendant la vidange.
- Assurez-vous que le tuyau d'évacuation, le tuyau d'alimentation ou le cordon d'alimentation ne sont pas noués ou pliés.

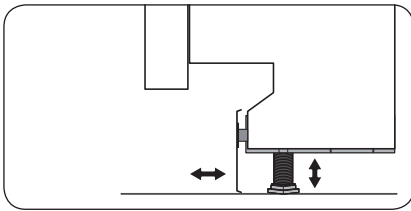
Installation

ÉTAPE 8 Vérification finale

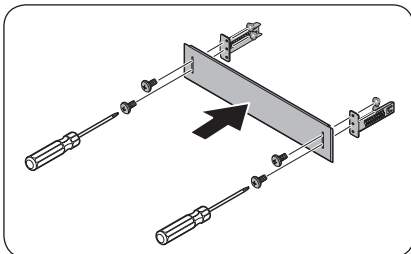
1. Retirez toute la mousse, l'emballage papier et les pièces inutiles de l'intérieur du lave-vaisselle.
2. Allumez le disjoncteur.
3. Ouvrez ensuite la vanne d'arrivée d'eau pour alimenter le lave-vaisselle en eau.
4. Branchez le lave-vaisselle.
5. Allumez le lave-vaisselle, puis sélectionnez et lancez un cycle.
6. Assurez-vous qu'il se met correctement sous tension et qu'il n'y a aucune fuite d'eau lorsque le lave-vaisselle est en marche. Vérifiez l'absence de fuites d'eau au niveau des deux extrémités du tuyau d'arrivée d'eau et du raccordement du tuyau d'évacuation.
7. Assurez-vous que le joint d'étanchéité de la plaque de protection se trouve bien dans la partie inférieure de la plaque. Pour installer la plaque de protection, reportez-vous à la section **Plaque de protection** ci-dessous.

Plaque de protection (modèles BU uniquement)

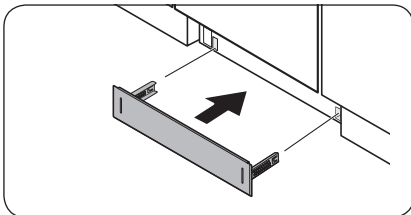
Si vous souhaitez installer la plaque de protection, suivez ces instructions.

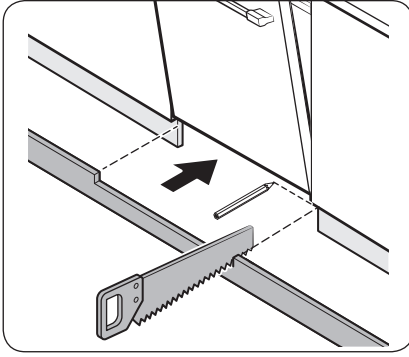


1. Tournez les pieds avant du lave-vaisselle pour régler la hauteur afin d'insérer la plaque de protection.



2. Fixez la plaque de protection au lave-vaisselle à l'aide des supports. Assurez-vous que les supports sont dans le bon sens. Voir l'illustration pour plus d'informations.





3. Si vous utilisez la plaque du meuble à la place de la plaque de protection, coupez la partie de la plaque du meuble qui interfère avec la porte avant de fixer la plaque du meuble sur le lave-vaisselle.

SAMSUNG

UNE QUESTION ? UN COMMENTAIRE ?

PAYS	APPELEZ-NOUS	OU CONSULTEZ NOTRE SITE INTERNET
U.S.A	1-800-SAMSUNG (726-7864) 1-844-SAM-PAYS (726-7297)	www.samsung.com/us/support
CANADA	1-800-SAMSUNG(726-7864) 1-844-SAM-PAYS (726-7297)	www.samsung.com/ca/support (English) www.samsung.com/ca_fr/support (French)
MEXICO	01-800-SAMSUNG (726-7864)	www.samsung.com/mx/support



DD81-02707A-00

Lavavajillas

Manual de instalación

DW60R2014US/DW60R2014AP



SAMSUNG

Contenidos

Instalación	3
Componentes	3
Requisitos de instalación	6
Dimensiones y especificaciones	8
Instalación paso a paso	10

Instalación

Siga estas instrucciones detalladamente para asegurar la correcta instalación de la lavavajillas y evitar accidentes durante el lavado.

Componentes

Asegúrese de que todos los componentes estén incluidos en el paquete. Si tiene alguna pregunta acerca de la lavavajillas o las piezas, comuníquese con un centro de atención al cliente de Samsung o con el vendedor. El aspecto real de la lavavajillas puede diferir, dependiendo del modelo y del país.

⚠ PRECAUCIÓN

Después de desempacar la lavavajillas, mantenga los materiales de empaque fuera del alcance de los niños para garantizar su seguridad.

DW60R2014AP



Ménsulas superiores
(2 uds.)



Ø4 x 14 tornillos
(10 uds.)



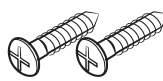
Pie regulable (3 uds.)



Fijadores del panel
personalizado
(soportes de panel de
madera, 2 uds.)



Ø3.5 x 45 tornillos
(4 uds.)



Ø3.5 x 25 tornillos
(2 uds.)



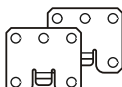
Ø3.5 x 16 tornillos
(2 uds.)



Conector de tuerca y
sello (para adaptador
de 90°)



Tapas plásticas
(2 uds.)



Ménsulas de la puerta
(2 uds.)



Instalación

DW60R2014US



Ménsulas superiores
(2 uds.)



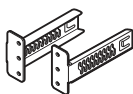
Ø4 x 14 tornillos
(2 uds.)



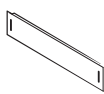
Pie regulable (3 uds.)



Ø3.5 x 16 tornillos
(2 uds.)



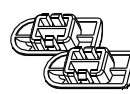
Ménsulas de la placa
de protección (2 uds.)



Placa de protección



Conector de tuerca y
sello (para adaptador
de 90°)



Tapas plásticas
(2 uds.)

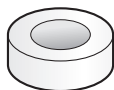


Perno de la placa de
protección (4 uds.)



Tuerca de la placa de
protección (4 uds.)

Kit de instalación (no provisto)



Cinta aislante y cinta
americana estándar



Conducto de agua
caliente



Adaptador de 90° (3/4")



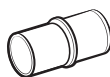
Adaptador del tubo



Abrazadera de
manguera



Espacio de aire



Conector de goma



Cinta de teflón o pasta
de sellado

ADVERTENCIA

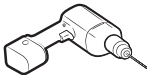





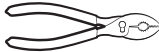






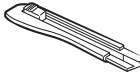



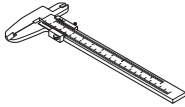
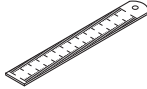
No utilice tubos de plástico. Los tubos de plástico se pueden deteriorar con el tiempo y causar filtraciones en el adaptador del tubo.



NOTA

- Para el conducto de agua caliente, recomendamos especialmente usar un tubo de cobre de diámetro exterior de un mínimo de 3/8" con adaptador de compresión o un conector flexible de acero inoxidable para el suministro de agua caliente.
- Se necesitan roscas para el tubo externo con un adaptador de 90° para tubo cónico de 3/4" en un extremo, y en el otro, roscas que se adapten al conducto de agua caliente (tubo de cobre/adaptador de compresión, manguera trenzada).
- Para el cable de alimentación, recomendamos utilizar un cable recubierto de 12-2 con conexión a tierra. Tenga en cuenta que algunos códigos locales pueden requerir que el cable tenga un recubrimiento de metal del tipo BX.

Herramientas requeridas (no provistas)

			
Taladro eléctrico	Lentes de seguridad	Guantes	Linterna
			
Llave ajustable	Torx T15	Pinza	Alicate de corte
			
Cinta métrica	Lápiz	Destornillador Phillips	Destornillador de cabeza plana
			
Cortatubos	Cúter	Nivel	Fresa para escariar
			
Llave en forma de L para cabezas hexagonales	Calibres Vernier	Regla de acero	

Instalación

Requisitos de instalación

Para evitar el riesgo de incendio, descarga eléctrica o lesiones físicas, todo el cableado y la conexión a tierra debe ser realizado por un técnico calificado.

Suministro eléctrico

- Para evitar el riesgo de incendio, descarga eléctrica o lesiones físicas, todo el cableado y la conexión a tierra deben realizarse de conformidad con la versión más reciente del Código Eléctrico Nacional, ANSI/FNPA, Nro. 70 y los códigos y ordenanzas locales. Es exclusiva responsabilidad del propietario del electrodoméstico proveer los servicios eléctricos adecuados para este electrodoméstico.
- Cuando prepare la instalación, asegúrese de que el suministro eléctrico ofrezca un circuito derivado individual de 120 voltios, 60 Hz destinado únicamente a la lavavajillas con un fusible o disyuntor de 15 amp.
- La lavavajillas debe estar conectada a tierra. En caso de que la lavavajillas funcione mal o se descomponga, la conexión a tierra reducirá el riesgo de descarga eléctrica al ofrecer una vía de menor resistencia para la corriente eléctrica.

⚠ ADVERTENCIA

- No utilice un cable prolongador.
- Use solamente el cable de alimentación que se provee con la lavavajillas.

Conexión a tierra

Para una conexión a tierra permanente, la lavavajillas debe estar conectada correctamente a un metal con conexión a tierra o a un sistema de cableado permanente. El conductor con conexión a tierra se debe conectar a los conductores del circuito y luego a la terminal con conexión a tierra de la lavavajillas.

⚠ ADVERTENCIA

- No conecte un cable a tierra a las tuberías de plástico, las tuberías de gas o las cañerías de agua caliente. La conexión inadecuada del conductor de conexión a tierra puede causar una descarga eléctrica.
- No modifique el enchufe de la lavavajillas. Si el enchufe no entra en el tomacorriente, solicite a un electricista calificado que instale el tomacorriente adecuado.

Suministro de agua

- El conducto de suministro de agua caliente debe admitir presiones de agua entre 20 y 120 psi (140 y 830 kPa).
- El agua debe estar a una temperatura entre 120 °F (49 °C) y 149 °F (65 °C).

Para reducir el riesgo de derrames:

- Asegúrese de que las llaves de agua estén en un lugar de fácil acceso.
- Cierre la llave de agua cuando no use la lavavajillas.
- Verifique periódicamente que no haya pérdidas en la manguera de agua.

Piso

Por razones de seguridad, la lavavajillas debe estar instalada sobre un piso de construcción sólida. Los pisos de madera pueden necesitar un refuerzo para reducir las vibraciones. Evite la instalación sobre piso alfombrado o con revestimiento sintético. Las alfombras y los revestimientos sintéticos pueden causar que la lavavajillas se desplace levemente cuando está en funcionamiento.

ADVERTENCIA

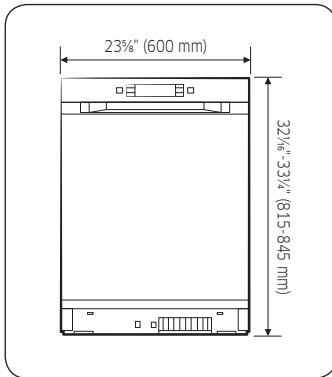
No instale la lavavajillas sobre una estructura con soportes poco resistentes.

Instalación

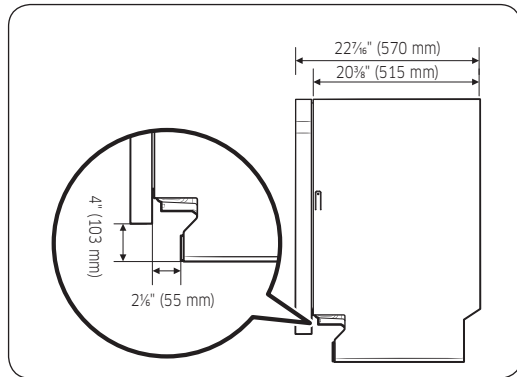
Dimensiones y especificaciones

Lavavajillas

Serie DW60R2014US (Modelo bajo encimera)

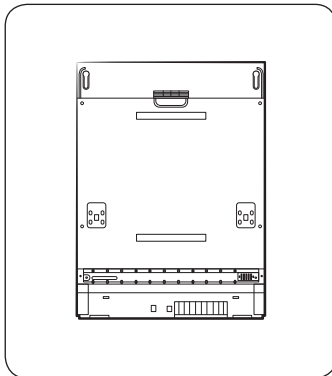


Vista frontal

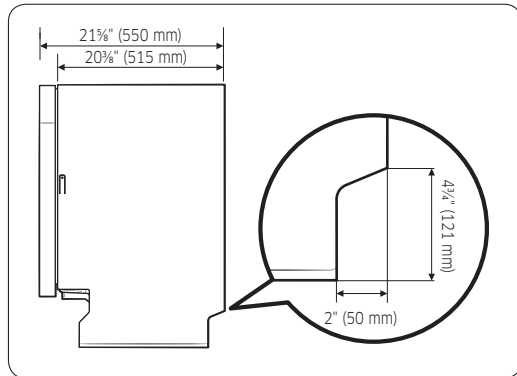


Vista lateral

Serie DW60R2014AP (Modelo totalmente integrado)

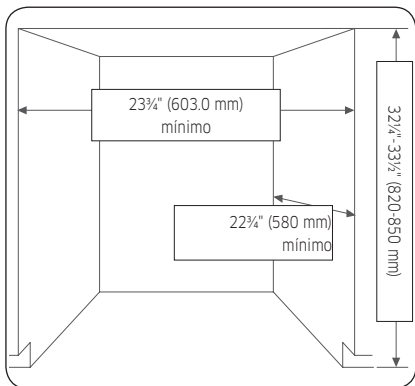


Vista frontal



Vista lateral

Gabinete



- Esta lavavajillas está diseñada para colocarse entre los lados y encima de un gabinete en una cocina residencial estándar.
- El espacio para la instalación debe estar limpio y libre de obstrucciones.
- El espacio debe tener por lo menos 23 3/4" de ancho, 22 3/4" de profundidad y 32 1/4" de altura.
- Para que la puerta delantera de la lavavajillas esté nivelada con el borde delantero de la encimera, la encimera debe estar por lo menos a 23" de profundidad.

Especificaciones

Las especificaciones están sujetas a cambios sin previo aviso a los efectos de las mejoras de calidad. La apariencia real de la lavavajillas puede diferir de las ilustraciones de este manual.

Suministro eléctrico	120 V, 15 A, 60 Hz CA
Presión de agua	20-120 psi (140-830 kPa)
Dimensiones (Ancho × Profundidad × Altura)	DW60R2014US : 23 5/8 × 22 7/16 × 32 1/16 in (600 x 570 x 815 mm) DW60R2014AP : 23 5/8 × 21 5/8 × 32 1/16 in (600 x 550 x 815 mm)
Temperatura mínima del agua en la entrada	120 °F (49 °C)



Instalación

Instalación paso a paso

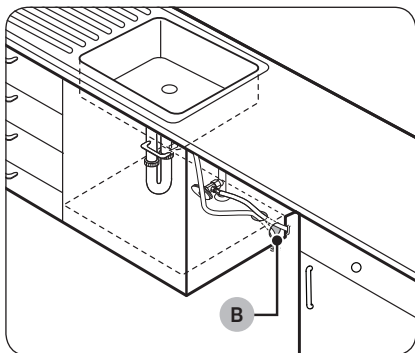
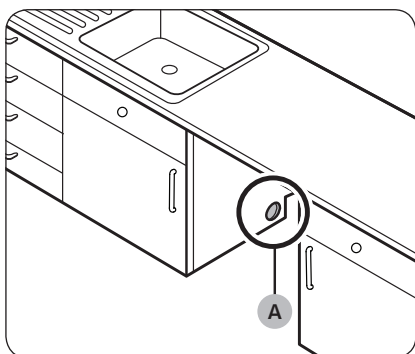
El procedimiento de instalación puede diferir dependiendo del modelo.

PASO 1 Seleccione una ubicación

Seleccione una ubicación que reúna las siguientes condiciones.

- La ubicación debe tener un piso macizo que pueda soportar el peso de la lavavajillas.
- La ubicación deberá ser cercana a un fregadero (9.8 pies/3 m) con un acceso fácil al suministro de agua, sistema de drenaje y tomacorriente.
- La ubicación debe permitirle colocar con facilidad los trastes dentro de la lavavajillas.
- La ubicación debe contar con espacio suficiente para que la puerta de la lavavajillas pueda abrirse fácilmente y que quede espacio suficiente entre la lavavajillas y los laterales del gabinete (por lo menos 0.1 pulgadas/2 mm).
- La pared posterior no debe presentar obstrucciones

Instalación en una nueva ubicación



Antes de instalar la lavavajillas en una nueva ubicación, siga estas instrucciones.

1. Utilizando una fresa para escariar, realice una perforación en la pared del gabinete que soporta el fregadero (A).
2. Si la base dentro del gabinete del fregadero se eleva sobre el piso de la cocina y es más alta que las conexiones en la lavavajillas, debe hacerse un agujero en la base dentro del gabinete y en el lateral del gabinete (B).

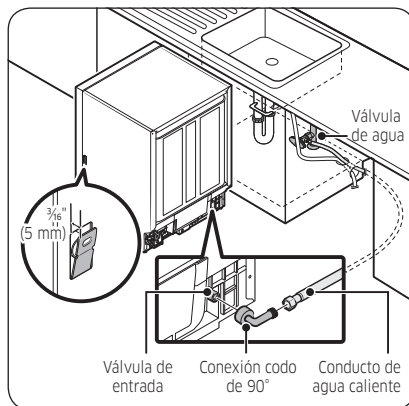
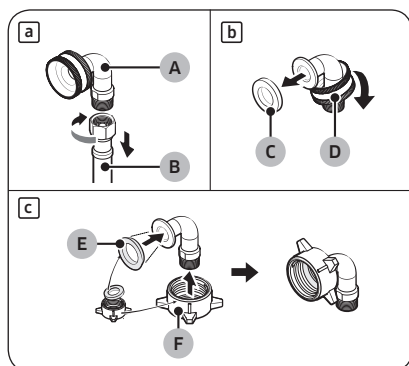
NOTA

- Si la lavavajillas reemplaza una anterior, verifique que las conexiones existentes sean compatibles con la nueva lavavajillas y reemplácelas si fuera necesario.
- Puede ser necesario realizar un agujero en el lado opuesto al gabinete dependiendo de la ubicación del tomacorriente.



PASO 2 Conecte el conducto de agua caliente.

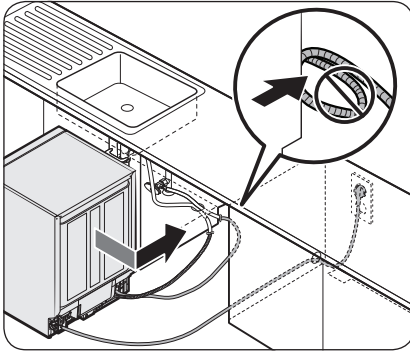
- La presión del conducto de agua debe estar entre 20 y 120 psi (140-830 kPa).
- Asegúrese de que el agua llegue a una temperatura entre 120 °F y 149 °F (49-60 °C). Sobrepasar este límite puede hacer que la lavavajillas no funcione correctamente.
- Asegúrese de que el disyuntor y la válvula del agua estén cerrados antes de conectar el conducto a la lavavajillas.
- Asegúrese de que el conducto de agua esté bien conectado. Envuelva con cinta teflón todas las conexiones y juntas para evitar pérdidas.



1. Use el conector de tuerca provisto para conectar la manguera de agua al lavavajillas. Siga estos pasos:
 - a. Desconecte el adaptador de 90° (A) de la manguera (B).
 - b. Retire el sello (C) y la tuerca (D) del adaptador de 90°.
 - c. En el conector de tuerca provisto, separe el sello (E) y la tuerca (F) y luego ensámblelos en el adaptador de 90° como se ilustra en la figura. Debe insertar el lado más pequeño del sello.
2. Inserte el adaptador de 3/4" 90 grados en la válvula de entrada. Ajuste el adaptador hasta que señale hacia el canal de la manguera de agua en la base de la lavavajillas. No lo ajuste demasiado.
3. Conecte el conducto de agua caliente al adaptador.
4. Si desea fijar la lavavajillas a la pared lateral para una mayor estabilidad, doble las ménsulas de los gabinetes izquierdo y derecho como se muestra en la figura.

Instalación

PASO 3 Acomode las mangueras



1. Acomode el cable de alimentación y la manguera de desagüe de modo que se muevan a la vez.
2. Desplace la lavavajillas con cuidado hasta el espacio de instalación bajo el fregadero. Cuando desplace la lavavajillas, arrastre todo tramo en exceso del conducto de agua, manguera de desagüe y cable de alimentación dentro del espacio de instalación.

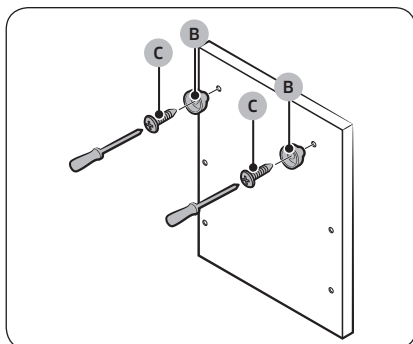
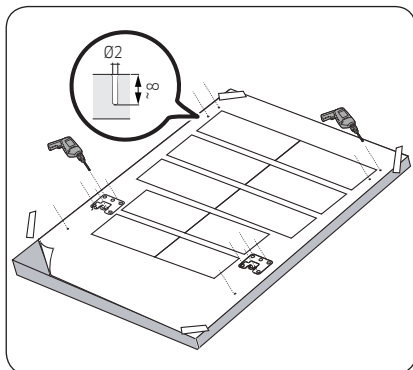
NOTA

Para los modelos W60R2014US vaya al PASO 6.

PRECAUCIÓN

- Tenga cuidado de no doblar ni aplastar el cable de alimentación o las mangueras.
- El tomacorriente no puede estar ubicado detrás de la lavavajillas.

PASO 4 Instale el panel personalizado (solo modelos totalmente integrados(DW60R2014AP))

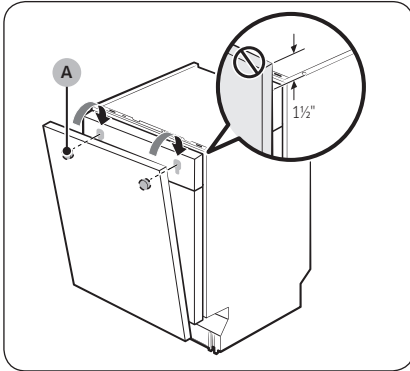


1. Coloque la plantilla de instalación en la parte trasera del panel personalizado y ajústela temporalmente con cinta transparente. Tenga en cuenta que la parte posterior del panel personalizado se fijará a la puerta de la lavavajillas.

⚠ PRECAUCIÓN

- El borde superior del panel personalizado debe alinearse con el borde superior de la plantilla de instalación.
 - Utilice un panel personalizado de entre 7 y 18 libras.
2. Pre-taladre los 14 puntos marcados en la plantilla de instalación con una broca de 2-pi hasta una profundidad de ~8 mm.
 3. Retire la plantilla de instalación y ajuste los fijadores del panel personalizado (B) en la parte superior con 2 tornillos (C, Ø3.5 x 25) como se muestra.

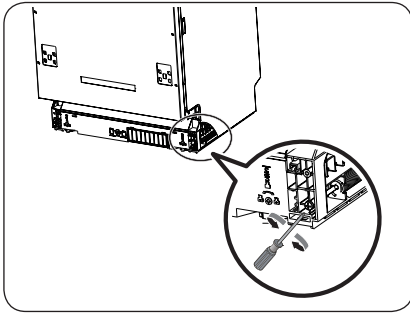
Instalación



4. Mientras sostiene el panel personalizado, fíjelo en la puerta e inserte los **fijadores del panel personalizado (A)** en los agujeros correspondientes de la parte superior de la puerta como se muestra.
5. Presione el panel personalizado hacia abajo para fijarlo.

⚠ PRECAUCIÓN

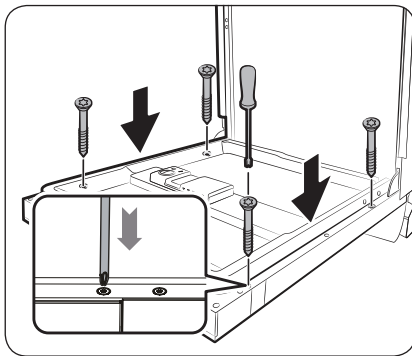
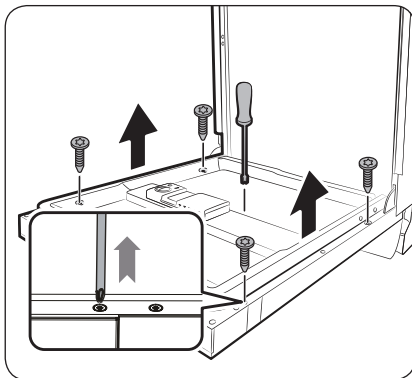
No deje que el panel personalizado sobresalga más de 1/2" de la parte superior de la lavavajillas.



6. Ajuste el nivel del resorte con la puerta abierta unos 30 grados. La puerta debe mantener su posición y no debería abrirse sola.

⚠ PRECAUCIÓN

- No ajuste el nivel del resorte con la puerta totalmente abierta.
- Si el panel personalizado pesa más de 18 lb (8 kg), la puerta puede abrirse hasta abajo. No son recomendables los paneles personalizados que pesen más de 18 lb (8 kg).



7. Abra la lavavajillas y quite los 4 tornillos usando el destornillador Torx T15.

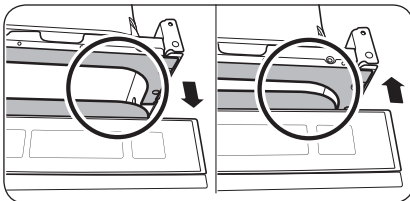
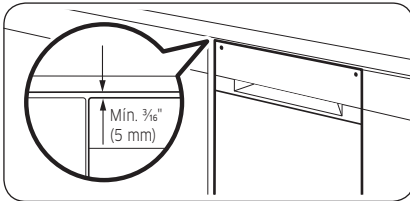
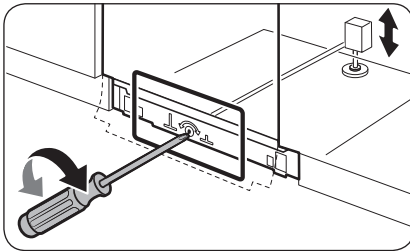
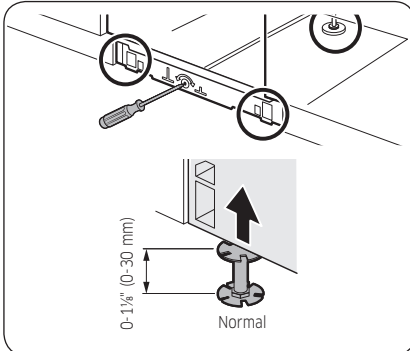
⚠ PRECAUCIÓN

Tenga cuidado al abrir la puerta. Si el nivel del resorte no está ajustado adecuadamente, la puerta puede abrirse o cerrarse inesperadamente y causar lesiones físicas.

8. Asegure el panel personalizado a la puerta ajustando los 4 tornillos (Ø3.5 x 45) usando el destornillador Torx T15.

Instalación

PASO 5 Nivela la lavavajillas



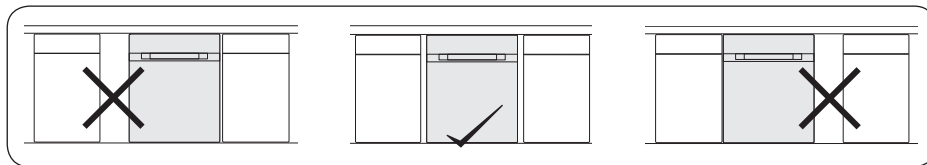
Puede ajustar la altura de la lavavajillas para nivelarla. Tenga en cuenta que en estos pasos la lavavajillas no está insertada completamente.

1. Use el nivel para verificar la horizontalidad de la lavavajillas.
2. Al ajustar la altura de la parte delantera, use el pie normal para alturas menores a 1 1/8".
 - Para disminuir la altura, gire el pie en el sentido de las agujas del reloj.
 - Para aumentar la altura, gire el pie en el sentido contrario a las agujas del reloj.
3. Para ajustar la altura de la parte trasera, inserte el destornillador en el centro de la parte inferior de la lavavajillas.
 - Para disminuir la altura, gire el destornillador en el sentido de las agujas del reloj.
 - Para aumentar la altura, gire el destornillador en el sentido contrario a las agujas del reloj.
4. Deje un espacio mínimo de 3/16" entre la parte superior de la lavavajillas y la parte inferior de la encimera.
5. Una vez nivelada la lavavajillas, verifique si la puerta se abre y se cierra correctamente.

PASO 6 Asegure la lavavajillas

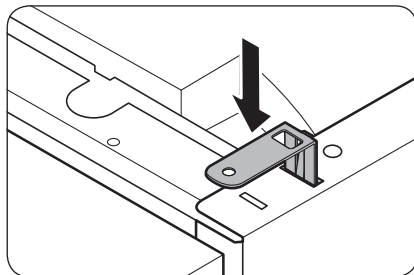
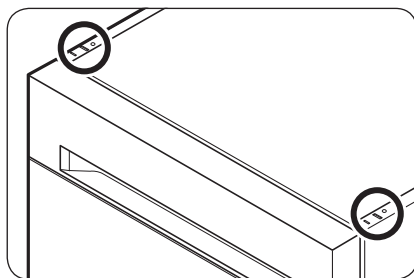
Ubicación correcta

Antes de asegurar la lavavajillas, verifique que esté ubicada en el centro.



A la encimera

Puede utilizar las ménsulas para asegurar la lavavajillas a la encimera. Alternativamente, puede perforar los orificios laterales para asegurar la lavavajillas a los lados del gabinete.

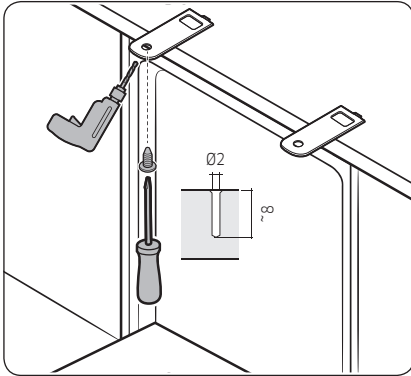


1. Coloque una toalla grande en la parte inferior de la lavavajillas (que cubra el sumidero) para evitar que caigan restos de madera o tornillos dentro del sumidero de la lavavajillas.
2. Inserte las ménsulas que se proveen en los orificios de la parte superior delantera de la lavavajillas.
3. Inserte completamente la lavavajillas debajo de la encimera.
4. Con cuidado, perforo 2 orificios para los tornillos en la parte inferior de la encimera por debajo, uno para cada ménsula.
 - Asegúrese de que el orificio que realice sea más pequeño que el diámetro del tornillo.
5. Inserte los tornillos que se proveen en los agujeros de las ménsulas, y luego ajústelos para asegurar la lavavajillas a la encimera.

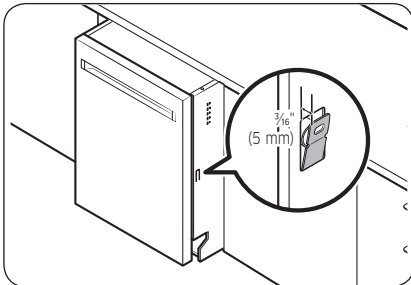
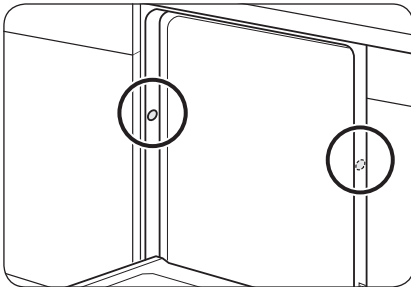
NOTA

Utilice un destornillador magnético para evitar que los tornillos caigan dentro de la lavavajillas.

Instalación



A las paredes laterales



6. Inserte los tornillos que se proveen en las ménsulas, y luego ajústelos para asegurar la lavavajillas a la encimera.

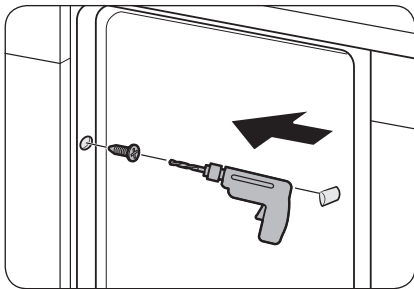
NOTA

Utilice un destornillador magnético para evitar que los tornillos caigan dentro de la lavavajillas.

7. Conecte la manguera de agua, pero no abra la llave hasta finalizar la instalación.

1. Coloque una toalla grande en la parte inferior de la lavavajillas (que cubra el sumidero) para evitar que caigan restos de madera o tornillos dentro del sumidero de la lavavajillas.

2. Para evitar daños en la manguera de desagüe a través del conducto de agua, jale ligeramente la lavavajillas y doble las ménsulas incorporadas de los gabinetes izquierdo y derecho unas $\frac{3}{16}$ " (5 mm). Cuando termine, vuelva a insertar la lavavajillas alineada en el centro.

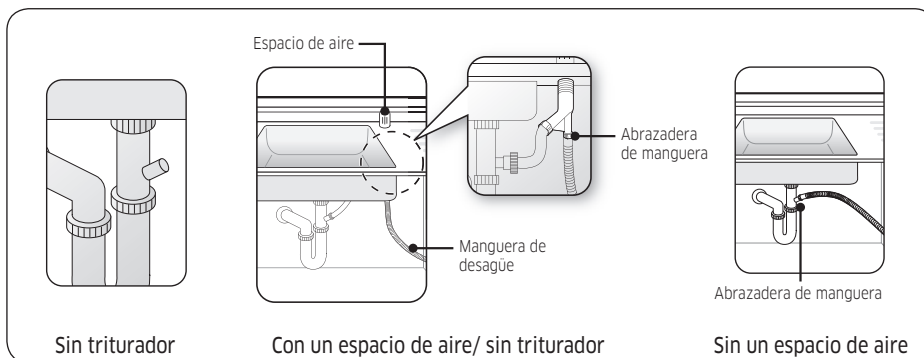


3. Perfore un orificio en ambos lados del gabinete de la cocina, totalizando 2 orificios para los tornillos.
 - Asegúrese de que el orificio que realice sea más pequeño que el diámetro del tornillo.
 - Asegúrese de que la broca no llegue a los laterales de los orificios de las tapas de los separadores.
4. Ajuste los tornillos que se proveen en los agujeros para asegurar la lavavajillas al gabinete.
5. Inserte las tapas plásticas provistas en los 2 sitios en que se ajustan los tornillos.

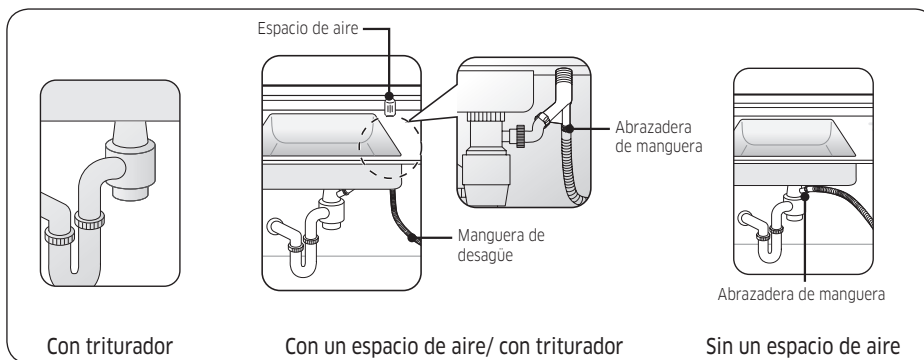
Instalación

PASO 7 Conecte la manguera de desagüe

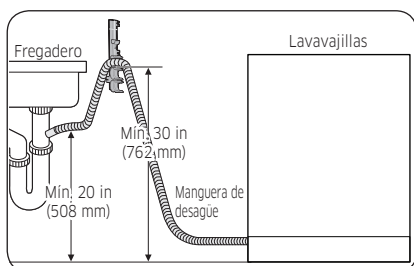
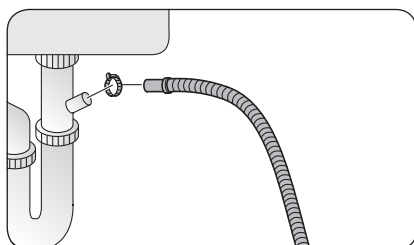
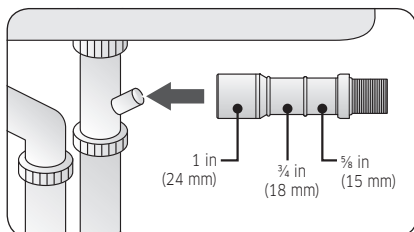
Hay muchas maneras de insertar la manguera de desagüe en el conector de la manguera de desagüe del fregadero. Debe conectar la salida del desagüe conforme a las reglamentaciones de instalación de tuberías de agua de su región.



Sistema de desagüe sin triturador de residuos



Sistema de desagüe con triturador de residuos



1. Verifique el tamaño del conector de la manguera de desagüe del fregadero. Si es necesario, corte la manguera de desagüe para que el extremo calce en el conector del fregadero.

NOTA

Si la manguera de desagüe no calza en el conector del fregadero, puede comprar un adaptador en una plomería o ferretería.

2. Inserte la manguera de desagüe al conector del fregadero, deslice la abrazadera de la manguera hacia el extremo final de la manguera y luego ajuste la abrazadera de la manguera.

3. Cuando realice un agujero en la pared del gabinete para la manguera de desagüe, tenga cuidado de que los bordes filosos del orificio no dañen la manguera.
 - Si las paredes son de madera, lije los bordes para suavizarlos.
 - Si las paredes son de metal, use cinta aislante o cinta americana para cubrir los bordes filosos alrededor del agujero.
4. Asegure la manguera de desagüe a la pared del fregadero con sujetacables o con otros materiales de fijación.
5. Si no hay un espacio de aire, asegúrese de colgar la mitad de la manguera de desagüe más arriba de la base del gabinete para evitar el flujo de retorno (ver la imagen en el lado izquierdo).

PRECAUCIÓN

- Tenga cuidado de no dañar la manguera de desagüe cuando instale la lavavajillas.
- Instale el sistema de desagüe correctamente para que la manguera no se desconecte de la salida durante el proceso de drenaje.
- Asegúrese de que la manguera de desagüe, la manguera de suministro y el cable de alimentación no estén retorcidos o doblados.

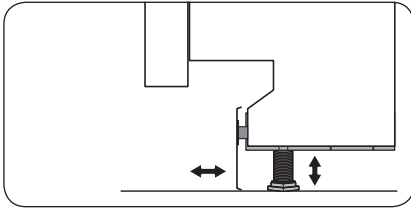
Instalación

PASO 8 Verificación final

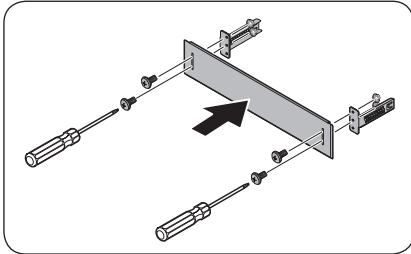
1. Retire la espuma, el papel de empaque y todo lo que sea innecesario del interior de la lavavajillas.
2. Active el disyuntor.
3. Abra la válvula de agua para suministrar agua a la lavavajillas.
4. Enchufe la lavavajillas.
5. Encienda la lavavajillas y luego seleccione y ejecute un ciclo.
6. Verifique si la lavavajillas se enciende normalmente o si hay alguna pérdida de agua mientras está en funcionamiento. Revise si hay filtraciones de agua en ambos extremos del conducto de agua y en el conector de la manguera de desagüe.
7. Verifique que el burlete de la placa de protección esté colocado en la parte inferior de la placa de protección. Para instalar la placa de protección, consulte la sección **Placa de protección** más abajo.

Placa de protección (solo modelos bajo encimera)

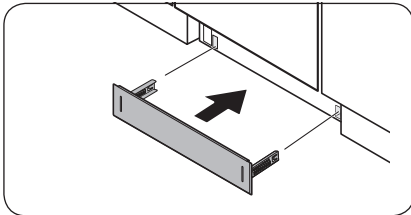
Si desea instalar la placa de protección, siga estas instrucciones.

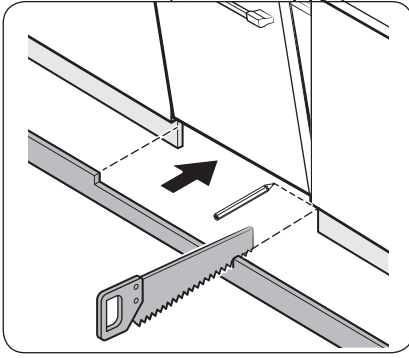


1. Gire las patas delanteras de la lavavajillas para ajustar la altura de manera que encaje la placa de protección.



2. Instale la placa de protección en la lavavajillas mediante las ménsulas. Asegúrese de que las ménsulas de la placa de protección estén en la dirección correcta. Vea los detalles en la figura.





3. Si utiliza una placa de mueble en vez de la placa de protección, antes de fijarla a la lavavajillas recorte la parte que interfiere con la puerta.

SAMSUNG

¿TIENE ALGUNA PREGUNTA O ALGÚN COMENTARIO?

PAÍS	LLAME AL	O VISÍTENOS EN LÍNEA EN
U.S.A	1-800-SAMSUNG (726-7864) 1-844-SAM-PAYS (726-7297)	www.samsung.com/us/support
CANADA	1-800-SAMSUNG(726-7864) 1-844-SAM-PAYS (726-7297)	www.samsung.com/ca/support (English) www.samsung.com/ca_fr/support (French)
MEXICO	01-800-SAMSUNG (726-7864)	www.samsung.com/mx/support



DD81-02707A-00