

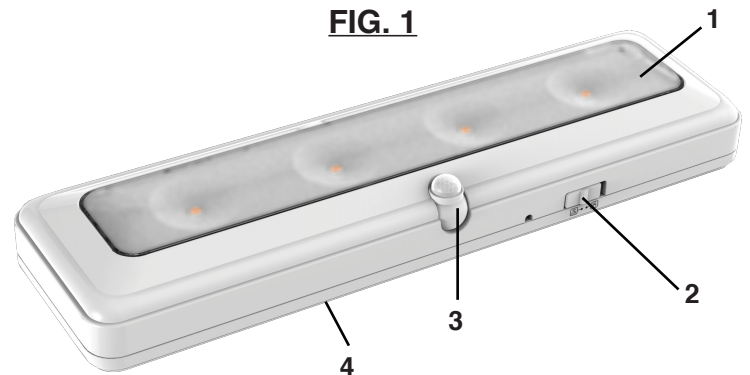


WIRELESS MOTION SENSOR LED LIGHT BAR OWNER'S MANUAL

Model # BRRC124M

LOCATION OF CONTROLS:

1. ON/OFF Tap Lens
2. Manual/Motion Sensor Switch
3. Pivoting Motion Sensor
4. Battery Compartment



INSTALLATION:

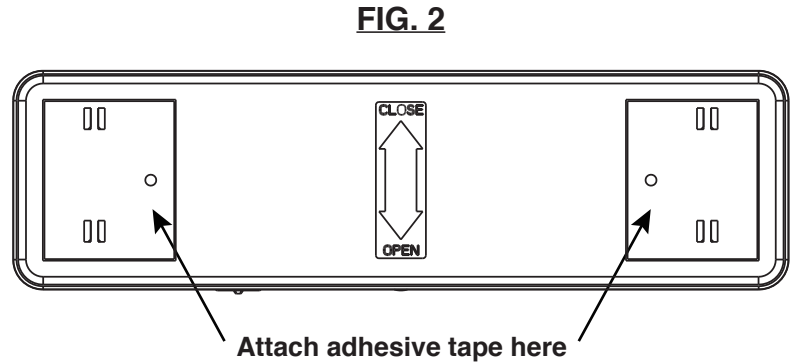
Adhesive Tape:

1. Make sure the area where you want to attach the light is clean and clear of debris and dust.
2. Attach adhesive tape to mounting bracket (Fig. 2).
3. Place mounting bracket in desired location. Press firmly to ensure adhesive sticks.

CAUTION: Adhesive tape may remove paint or damage surface when removed.

Screws:

1. Remove mounting bracket from light.
2. Use the mounting bracket as a guide to drill two (2) pilot holes. Secure mounting bracket to surface with screws (included). Do not over tighten screws.
3. Attach light to mounting bracket.



OPERATING INSTRUCTIONS:

ON/OFF Tap Lens:

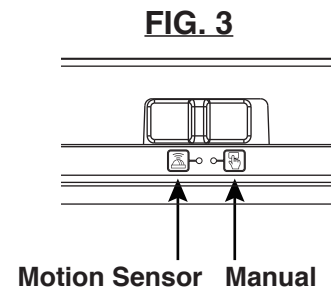
1. Set manual/motion sensor switch to manual (👆) (Fig. 3).
2. Press lens to turn light ON/OFF.

Pivoting Motion Sensor:

1. Set manual/motion sensor switch to motion sensor (👁️) (Fig. 3).
2. Pivot motion sensor to desired angle.
3. Motion will turn the light ON for 30 seconds. Light will remain ON if motion continues. Light will turn OFF after 30 seconds if no motion is detected.

Motion sensor only senses motion in darkness.

Light may activate when batteries are inserted. Move light to a dark room, allow the light to adjust (up to 1 minute), then test motion sensor.



BATTERIES:

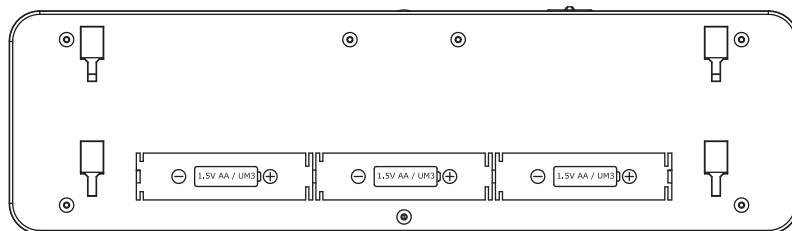
INSERTING / REPLACING THE BATTERIES

If the LEDs appear to be dim the batteries need to be replaced.

TO REPLACE THE BATTERIES

1. Remove battery compartment cover.
2. Remove old batteries (if replacing batteries).
3. Insert three (3) new AA batteries (not included)
4. Make sure to follow the battery polarity guide when installing new batteries (Fig. 4).
5. Replace battery compartment cover.

FIG. 4



PRODUCT INFORMATION CHART:

Light Output (Lumens)	75
Correlated Color Temperature (CCT)	3000 (Warm White)
Run Time	100 hours
Batteries (not included)	AA x 3
Number of LEDs	4
LED Beam Angle	120°
Motion Sensor Detection Range	10 Feet
Motion Sensor Detection Angle	120°
Motion Sensor Auto Shut Off	30 Seconds

Dimensions: 9-3/4" wide / 2-3/4" deep / 1-3/8" high

BATTERY PRECAUTIONS:

1. Use only the size and type of batteries specified.
2. Always purchase the correct size and grade of battery most suitable for the intended use.
3. Be sure to follow the correct polarity when installing the batteries as indicated in the battery compartment. Reversed batteries may cause damage to the device.
4. Do not mix alkaline, standard (Carbon-Zinc), or rechargeable (Nickel Cadmium) batteries.
5. Replace all batteries of a set at the same time. Do not mix old and new batteries.
6. Clean the battery contacts and also those of the device prior to battery installation.
7. Do not dispose of batteries in fire.
8. Remove batteries if consumed or if product is to be left unused for an extended period of time.

INDOOR USE ONLY

ONE-YEAR LIMITED WARRANTY:

This product is warranted to the original purchaser that the product will be free from defects in materials and workmanship for a period of one year from the date of purchase. Additional details are available at www.brilliantevolution.com.

© 2017 London Johnson, Inc. All Rights Reserved.

www.brilliantevolution.com

Made in China