

### Features

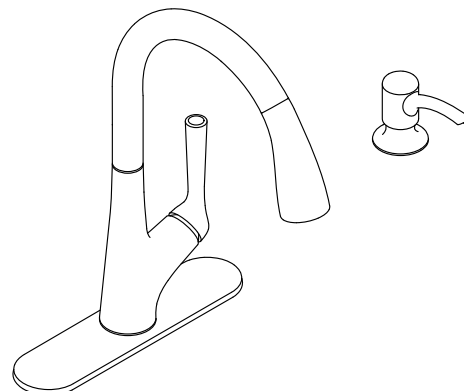
- Two-function pull-down sprayhead with touch-control allows you to switch from stream to Sweep® spray.
- Sweep® spray is a wide, powerful blade of water that sweeps your dishes and sink clean.
- DockNetik®, a magnetic docking system located within the spout, smoothly glides and securely locks the sprayhead into place.
- ProMotion® technology allows the pull-down sprayhead to swivel for more comfortable use.
- MasterClean™ sprayface withstands mineral buildup to wipe clean easily without cleaning products.
- High-arch swing spout offers vertical clearance for tall cookware and pitchers.
- Single lever handle makes adjusting water temperature easy with one hand.
- KOHLER® ceramic disc valves exceed industry longevity standards, ensuring durable performance for life.
- 1.5 gal/min (5.7 l/min) maximum flow rate [max at 60 psi (4.14 bar)].
- Box includes: Assembled faucet, supply lines, soap/lotion dispenser, and escutcheon plate.

### Material

- Premium metal construction.
- KOHLER finishes featuring ScratchShield™ withstand even the toughest daily use.

### Installation

- Installs with 1-, 2-, 3- or 4-hole sink.
- Flexible supply lines and quick connect fittings make installation easy.
- Longer shank works with countertops up to 2-1/2" thick and is easy to install.



ADA CSA B651

### Codes/Standards

ASME A112.18.1/CSA B125.1  
NSF/ANSI 61  
NSF/ANSI 372  
All applicable US Federal and State material regulations  
DOE - Energy Policy Act 1992  
California Energy Commission (CEC)  
ADA  
ICC/ANSI A117.1  
CSA B651

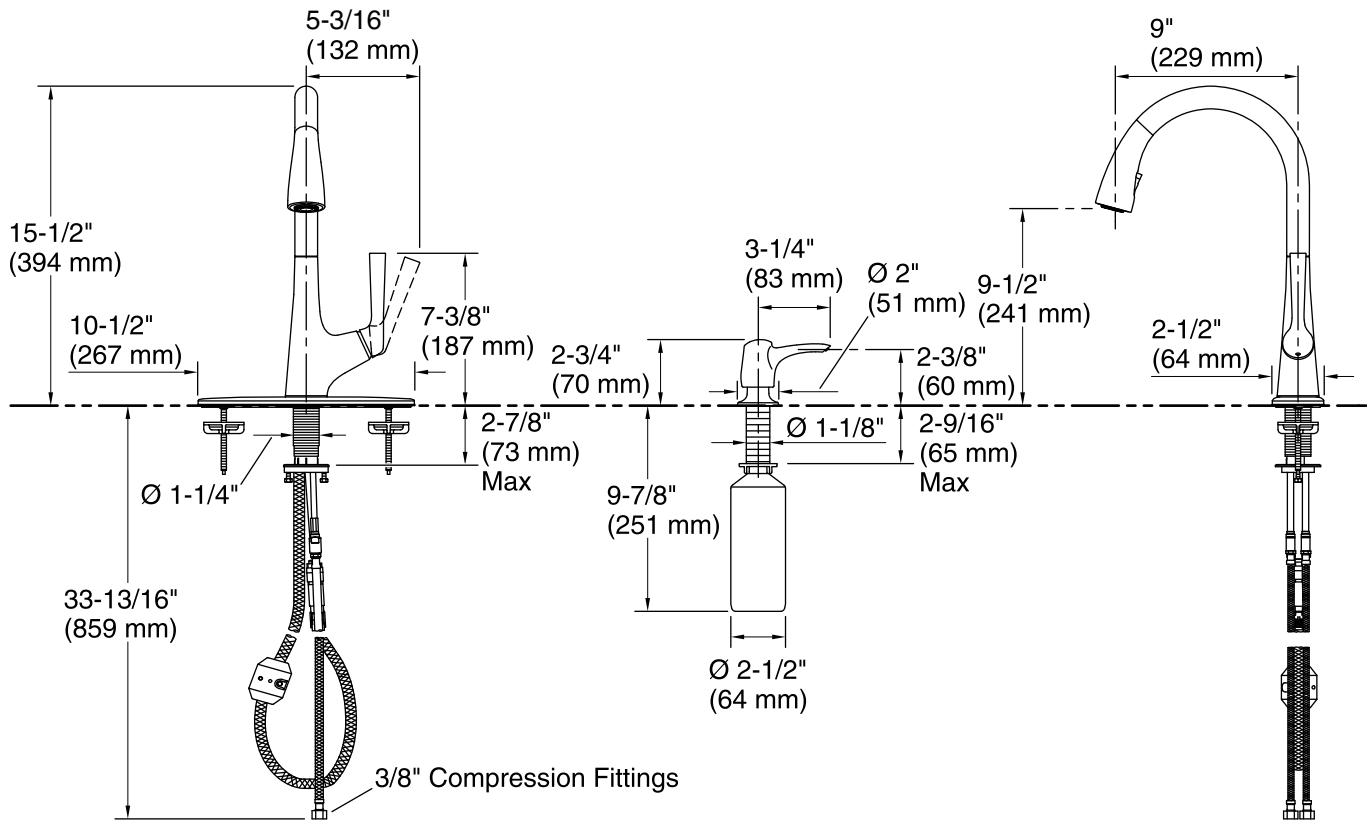
### KOHLER® Faucet Lifetime Limited Warranty

See website for detailed warranty information.

### Available Colors/Finishes

*Color tiles intended for reference only.*

Color	Code	Description
	VS	Vibrant® Stainless
	BL	Matte Black



### Technical Information

All product dimensions are nominal.

#### Faucet:

Flow rate: 1.5 gal/min (5.7 l/min)

Pressure: 60 psi (4.1 bar)

### Notes

Install this product according to the installation instructions.

ADA, CSA B651 compliant when installed to the specific requirements of these regulations.