

PORTSMOUTH® 30" VANITY

☐ 9210.030

- Transitional style vanity
- Constructed of poplar solids with birch veneers
- Matching Rattan door insert
- Slide-out step-up feature
- Storage area includes one shelf

Nominal Dimensions:

30" x 21-1/2" (762 x 546mm)

33-1/2" height (851mm)

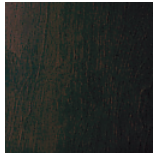


To Be Specified (Required):

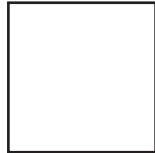
- ☐ 0615.000 Portsmouth vitreous china undercounter sink (White - 020) Use with laminated marble top (supplied by others).

or

- ☐ 7820.400 Portsmouth Fire Clay Vanity Top, with faucet holes on 4" (102mm) centers
- ☐ 7820.800 Portsmouth Fire Clay Vanity Top, with faucet holes on 8" (203mm) centers



322
Dark Chocolate



020
White

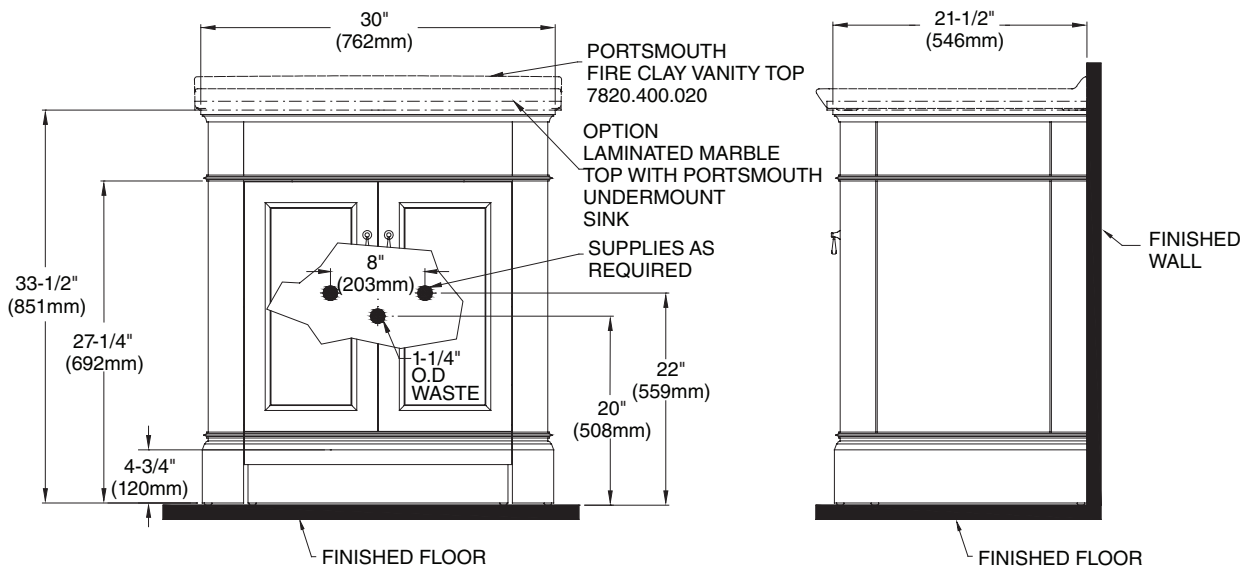
NOTES:

* DIMENSIONS SHOWN FOR LOCATION OF SUPPLIES AND "P" TRAP ARE SUGGESTED.

▼ ANCHOR SCREWS FOR LAVATORY AND PEDESTAL NOT INCLUDED.

- FITTINGS NOT INCLUDED AND MUST BE ORDERED SEPARATELY. PROVIDE SUITABLE REINFORCEMENT FOR ALL WALL SUPPORTS.

IMPORTANT: Dimensions of fixtures are nominal and may vary within the range of tolerances established by ANSI Standard A112.19.9M. These measurements are subject to change or cancellation. No responsibility is assumed for use of superseded or voided pages.



PORTSMOUTH® VANITY TOP

- 7820.400** Faucet holes on 4" centers
- 7820.800** Faucet holes on 8" centers
- Seamless one piece design made from Fine Fire Clay
- Interior Oval bowl design
- Includes 1" backsplash
- Fits most standard 30" vanities
- Pre-drilled for 4" and 8" faucet holes
- Includes safety overflow design



Nominal Dimensions:

31-1/8" x 22-7/8"
(791 x 581 mm)

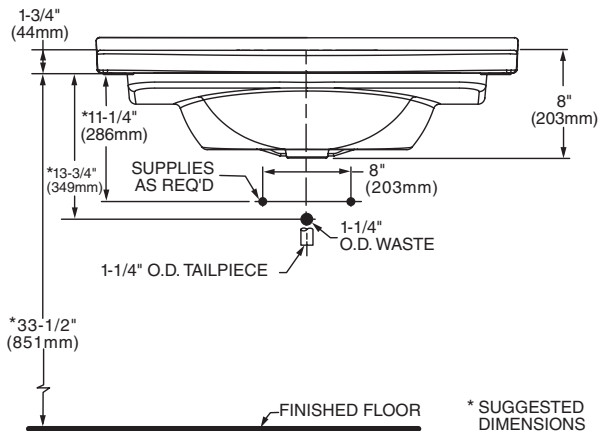
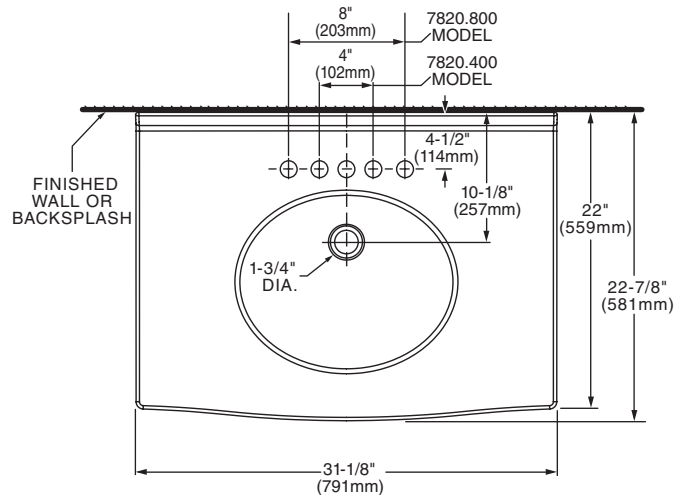
Bowl sizes:

16" (406mm) wide
13" (330mm) front to back
6-1/2" (165mm) deep

Compliance Certifications -

Meets or Exceeds the Following Specifications:

- ASME A112.19.9M for Non-Vitreous Ceramic Fixtures



* SUGGESTED DIMENSIONS

NOTES:

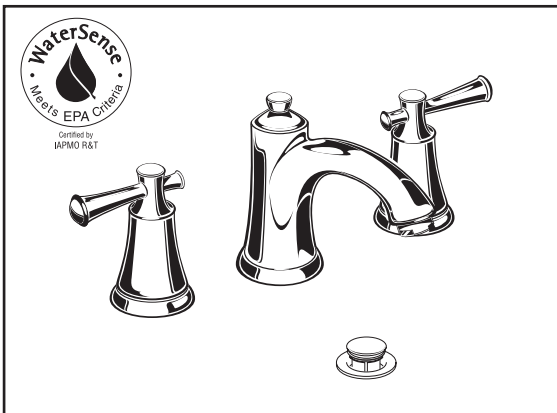
* DIMENSIONS SHOWN FOR LOCATION OF SUPPLIES AND "P" TRAP ARE SUGGESTED. FITTINGS NOT INCLUDED WITH FIXTURE AND MUST BE ORDERED SEPARATELY. FOR COUNTERTOP CUTOUT AND INSTALLATION INSTRUCTIONS USE TEMPLATE SUPPLIED WITH SINK.

IMPORTANT: Dimensions of fixtures are nominal and may vary within the range of tolerances established by ANSI Standard A112.19.9M. These measurements are subject to change or cancellation. No responsibility is assumed for use of superseded or voided pages.

To Be Specified

- Color: White
- Faucet:
- Faucet Finish:
- Supplies:
- Trap:

* See faucet section for additional models available



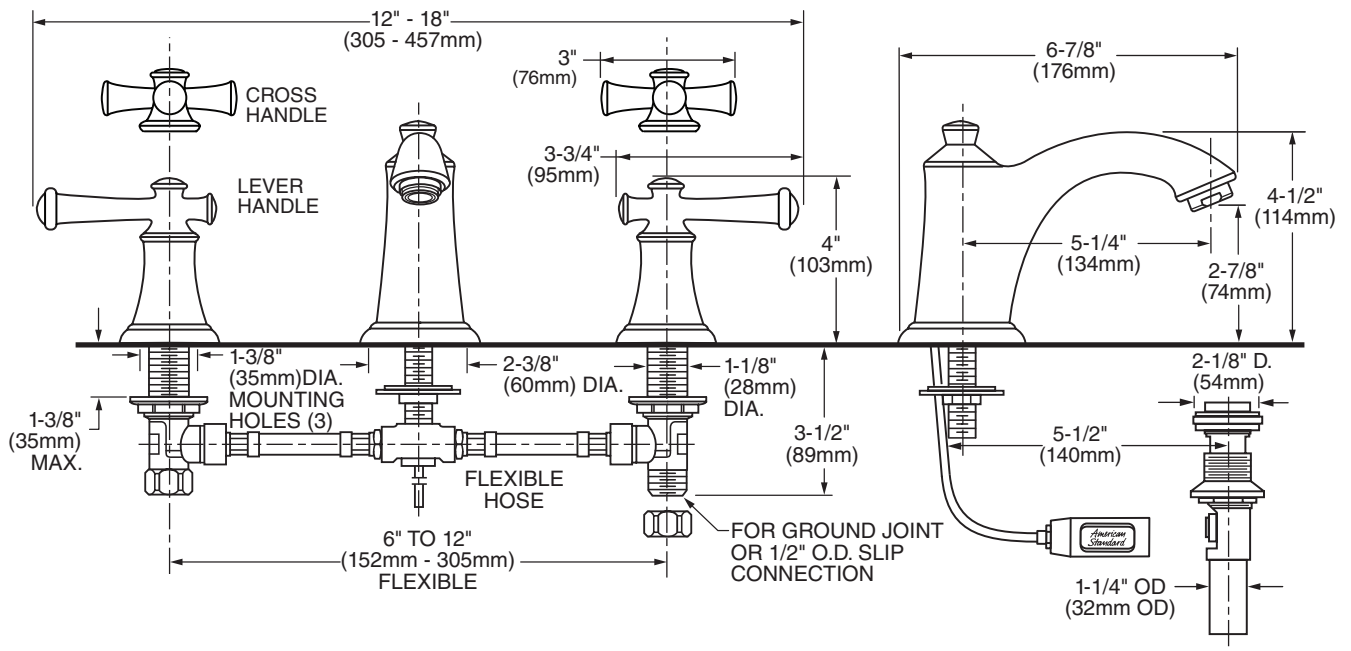
7415.801 Shown

MODEL NUMBER:

☐ **7415.801 Portsmouth Widespread**
Metal Speed Connect® Pop-up drain.
Metal Lever handles.



☐ **7415.821 Portsmouth Widespread**
Metal Speed Connect Pop-up drain.
Metal Cross handles.



GENERAL DESCRIPTION:

Cast brass valve bodies with flexible hose connections for 6" to 12" (152mm to 305mm) installations. 1/4 turn washerless ceramic disc valve cartridges. Choice of metal lever or metal cross handles. Cast brass spout. One-half inch male inlet shanks with brass coupling nuts. 20" (500mm) long flexible stainless steel drain cable is pre-assembled to spout. Metal Speed Connect® drain body with 1-1/4 inch (32mm) tail piece. 1.5 gpm/5.7L/min. maximum flow rate.

PRODUCT FEATURES:

Brass Construction: Durable. Easy to clean. Ideal for prolonged contact with water.

Ceramic Disc Valve Cartridges: Assures a lifetime of smooth handle operation and drip-free performance.

Lead Free: Faucet contains ≤0.25% total lead content by weighted average.

Exclusive Speed Connect Metal Drain:

- Fewer parts. Installs in less time.
- No adjustments required - seals the first time, every time.
- Flexible stainless steel cable - installs effortlessly in tight spaces.

Choice of Finishes: Wide range of durable finishes.

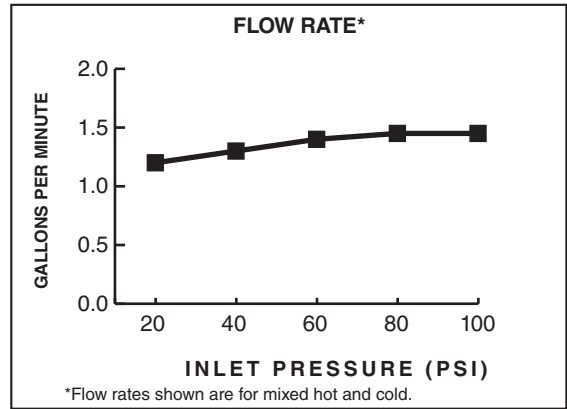
SUGGESTED SPECIFICATION:

Two handle widespread lavatory faucet shall feature cast brass valve bodies with flexible hose connections for 6" to 12" installations. Shall also feature 1/4 turn washerless ceramic disc valve cartridges. Shall also feature a metal drain body with stainless steel cable actuation. Fitting shall be American Standard Model # 7415.____.

CODES AND STANDARDS

These products meet or exceed the following codes and standards:

- ASME A112.18.1**
- CSA B 125.1**
- NSF 61/Section 9 and Annex G**



	Product Number	Description	Finish Options		
			Polished Chrome	Oil Rubbed Bronze	PVD Satin Nickel
			002	224	295
	7415.801	Portsmouth Widespread with Metal Speed Connect® Pop-up drain. Metal Lever handles.			
	7415.821	Portsmouth Widespread with Metal Speed Connect Pop-up drain. Metal Cross handles.			

Meets the American Disabilities Act Guidelines and **ANSI A117.1** Requirements for the physically challenged.



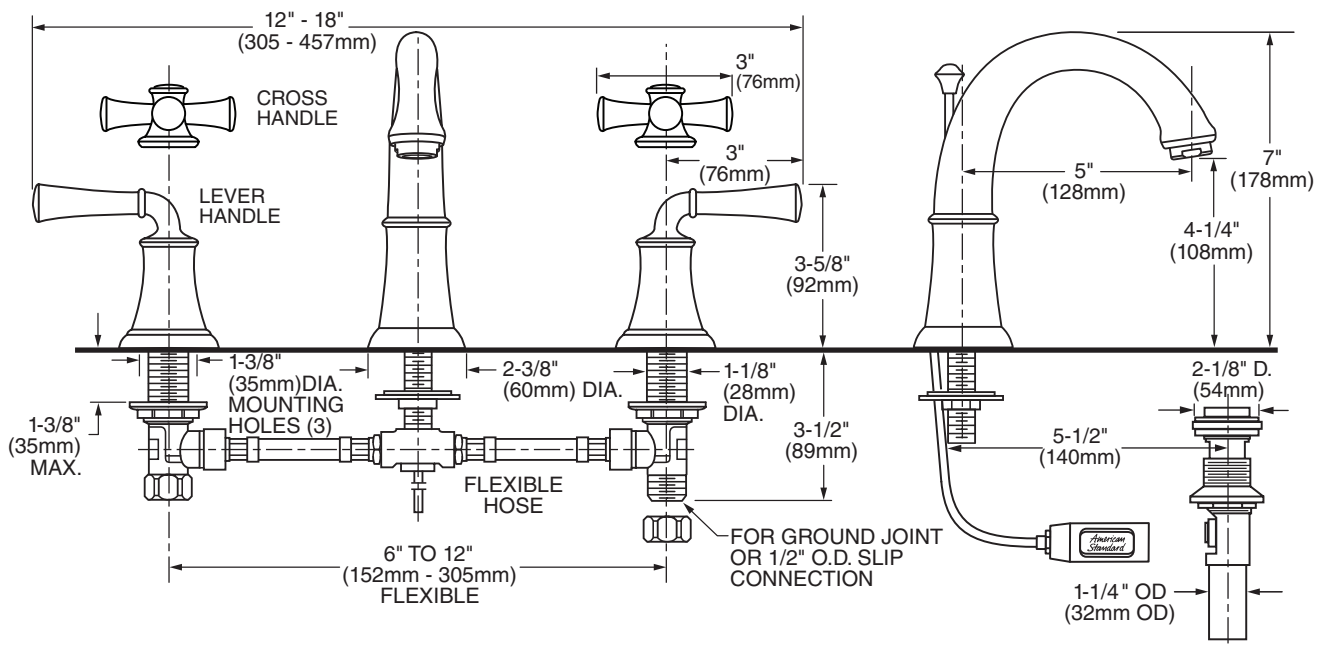
7420.801 Shown

MODEL NUMBER:

7420.801 Portsmouth Widespread Metal Speed Connect® Pop-up drain. Metal Lever handles.



7420.821 Portsmouth Widespread Metal Speed Connect Pop-up drain. Metal Cross handles.



GENERAL DESCRIPTION:

Cast brass valve bodies with flexible hose connections for 6" to 12" (152mm to 305mm) installations. 1/4 turn washerless ceramic disc valve cartridges. Choice of metal lever or metal cross handles. Cast brass spout. One-half inch male inlet shanks with brass coupling nuts. 20" (500mm) long flexible stainless steel drain cable is pre-assembled to spout. Metal Speed Connect® drain body with 1-1/4 inch (32mm) tail piece. 1.5 gpm/5.7L/min. maximum flow rate.

PRODUCT FEATURES:

Brass Construction: Durable. Ideal for prolonged contact with water.

Ceramic Disc Valve Cartridges: Assures a lifetime of smooth handle operation and drip-free performance.

Lead Free: Faucet contains ≤0.25% total lead content by weighted average.

Exclusive Speed Connect Metal Drain:

- Fewer parts. Installs in less time.
- No adjustments required - seals the first time, every time.
- Flexible stainless steel cable - installs effortlessly in tight spaces.

Choice of Finishes: Wide range of durable finishes.

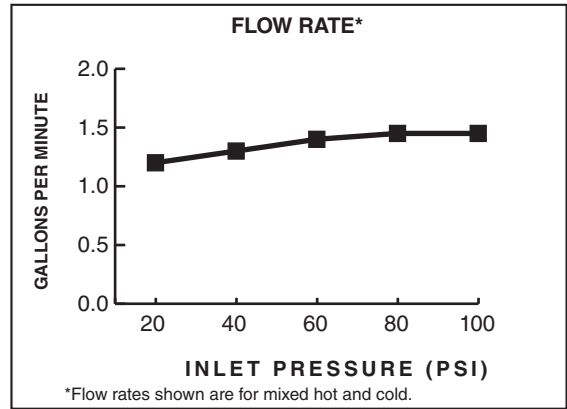
SUGGESTED SPECIFICATION:




Two handle widespread lavatory faucet shall feature cast brass valve bodies with flexible hose connections for 6" to 12" installations. Shall also feature 1/4 turn washerless ceramic disc valve cartridges. Shall also feature a metal drain body with stainless steel cable actuation. Fitting shall be American Standard Model # 7420.____.


CODES AND STANDARDS

These products meet or exceed the following codes and standards:

- ASME A112.18.1**
- CSA B 125.1**
- NSF 61/Section 9 and Annex G**



	Product Number	Description	Finish Options		
			Polished Chrome	Oil Rubbed Bronze	PVD Satin Nickel
			002	224	295
	7420.801	Portsmouth Widespread with Metal Speed Connect® Pop-up drain. Metal Lever handles. 			
	7420.821	Portsmouth Widespread with Metal Speed Connect Pop-up drain. Metal Cross handles.			

 Meets the American Disabilities Act Guidelines and **ANSI A117.1** Requirements for the physically challenged.