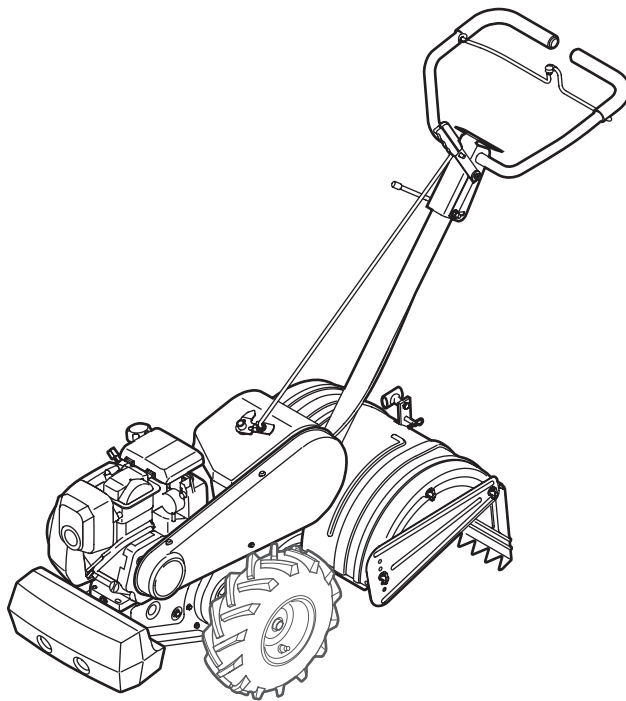


---

# *Cub Cadet.*

## ILLUSTRATED PARTS MANUAL



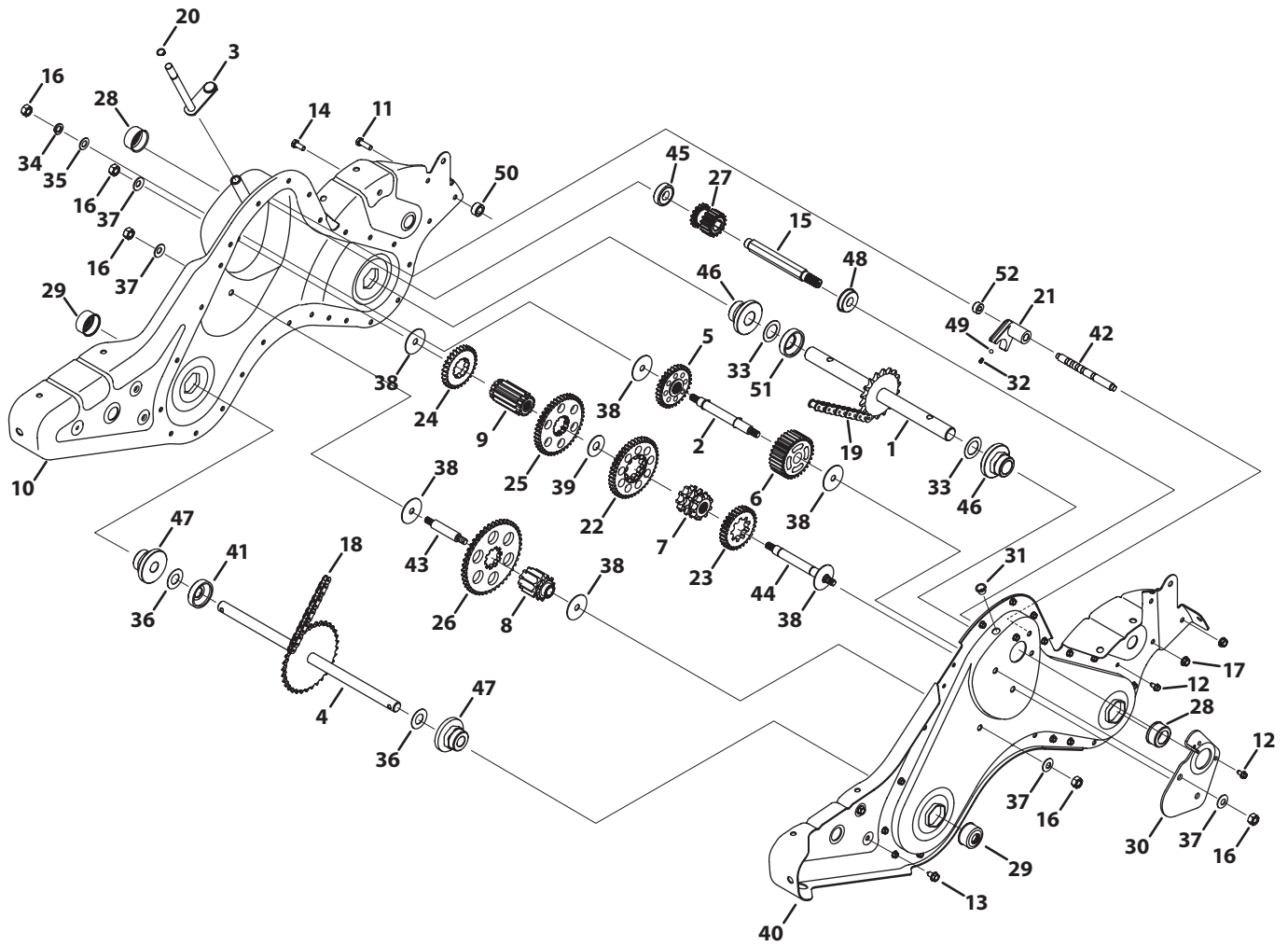
**Rear Tine Tiller — Model RT 65**

---

CUB CADET LLC, P.O. BOX 361131 CLEVELAND, OHIO 44136-0019

---

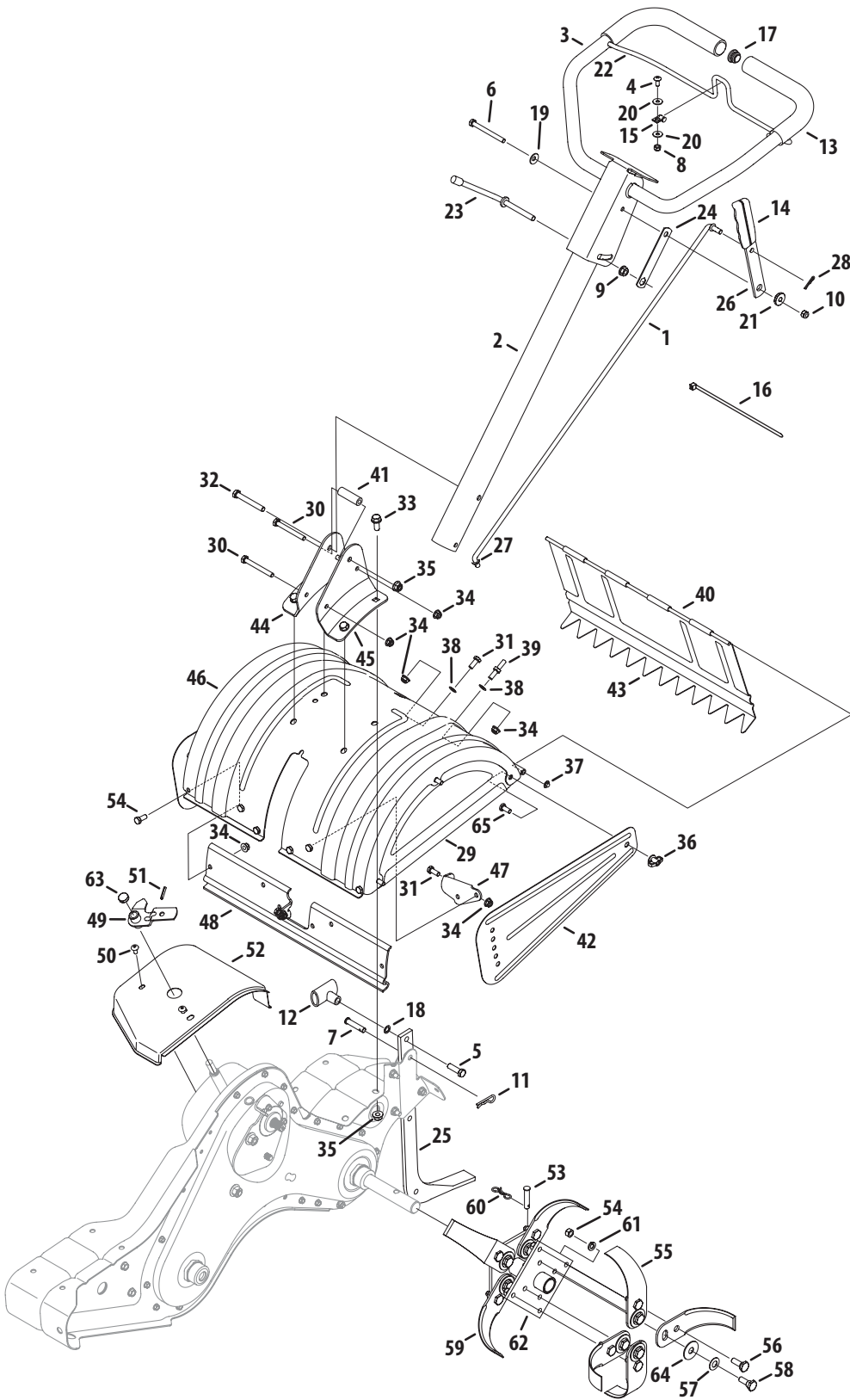
# RT 65 Gear Case Assembly



## RT 65 Gear Case Assembly

| Ref. | Part Number    | Description                      | Ref. | Part Number    | Description                        |
|------|----------------|----------------------------------|------|----------------|------------------------------------|
| 1.   | 611-0021       | Shaft Assembly, Tine, 18T        | 28.  | 921-0378       | Shaft Seal, 1.0                    |
| 2.   | 611-0128       | Shaft Assembly, Jack             | 29.  | 721-0379       | Shaft Seal, .75                    |
| 3.   | 611-0129       | Shaft Assembly, Shift Input      | 30.  | 786-0238       | Positioner Gear Bracket            |
| 4.   | 611-04074A     | Shaft Assembly, Wheel, 33T       | 31.  | 726-0277       | Tapered Cap Plug                   |
| 5.   | 617-0058       | Gear Assembly, 30T Reverse Idler | 32.  | 932-0496       | Compression Spring, .230 OD        |
| 6.   | 617-0059       | Gear Assembly, 30T Tine Idler    | 33.  | 936-0163       | Washer, Flat, 1.03 x 1.62 x .03    |
| 7.   | 617-0060       | Sprocket Assembly, 9T Tine Input | 34.  | 936-0171       | Washer, Lock, 7/16                 |
| 8.   | 617-0061       | Sprocket Assembly, 10T Whl Input | 35.  | 936-0226       | Washer, Flat,.474 x .879 x .064    |
| 9.   | 617-0062       | Gear Assembly, 11T               | 36.  | 936-0351       | Washer, Flat, .760 ID x 1.50 OD    |
| 10.  | 686-0108A-0637 | RH Chain Case Housing Assembly   | 37.  | 736-0407       | Washer, Bell,.45 x 1.00 x .062     |
| 11.  | 710-0376       | Hex Head Screw, 5/16-18 x 1.00   | 38.  | 736-0518       | Washer, Thrust, .445 x 1.92 x .060 |
| 12.  | 710-0599       | Screw, 1/4-20 x 0.500            | 39.  | 736-3088       | Washer, Flat,1.595 x .635 x .062   |
| 13.  | 710-0604A      | Screw, :5/16-18 x 0.625          | 40.  | 686-04129-0637 | LH Chain Case Housing              |
| 14.  | 710-3008       | Hex Head Screw, 5/16-18 x .75    | 41.  | 950-0671       | Spacer, .75 x 2.0 x .50            |
| 15.  | 711-1349       | Input Shaft, .75                 | 42.  | 738-0645       | Shaft Detent, .5 DIA               |
| 16.  | 712-0378       | Nut, Hex, 7/16-20                | 43.  | 738-0648       | Shaft, Jack, .625 x 2.385          |
| 17.  | 712-3004A      | Nut, Flangelock, 5/16-18         | 44.  | 738-1013       | Shaft, Jack, .6250 x 5.0050        |
| 18.  | 913-0367       | Endless Chain, #420 x 50 Links   | 45.  | 941-0600       | Ball Bearing, 17 x 40 x 12:6203    |
| 19.  | 913-0484       | Endless Chain, #50 x 54 Links    | 46.  | 941-0420       | Flange Bearing, 1.0 x 2.5 x 1.38   |
| 20.  | 716-0865       | Snap Ring, .500                  | 47.  | 741-0421       | Flange Bearing, .75 x 2.5 x 1.38   |
| 21.  | 717-0853A      | Clutch Collar                    | 48.  | 941-0563       | Ball Bearing, 17 x 40 x 12:6203    |
| 22.  | 717-1582       | Gear Spur, 44T                   | 49.  | 741-0862       | Ball, Detent, .250                 |
| 23.  | 717-1583       | Gear Spur, 30T                   | 50.  | 750-0258       | Spacer, .315 x .750 x .375 LG      |
| 24.  | 717-1584       | Gear Spur, 30T                   | 51.  | 950-0570       | Spacer, 1.0 ID x 2.0 OD x.5 LG     |
| 25.  | 717-1585       | Gear Spur, 44T                   | 52.  | 750-0664       | Spacer, .505 ID x .88 OD x .440    |
| 26.  | 717-1587       | Gear Spur, 44T                   | —    | 986-04074A     | Gear Case Assembly Complete        |
| 27.  | 717-1594       | Gear Spur, 16T                   |      |                |                                    |

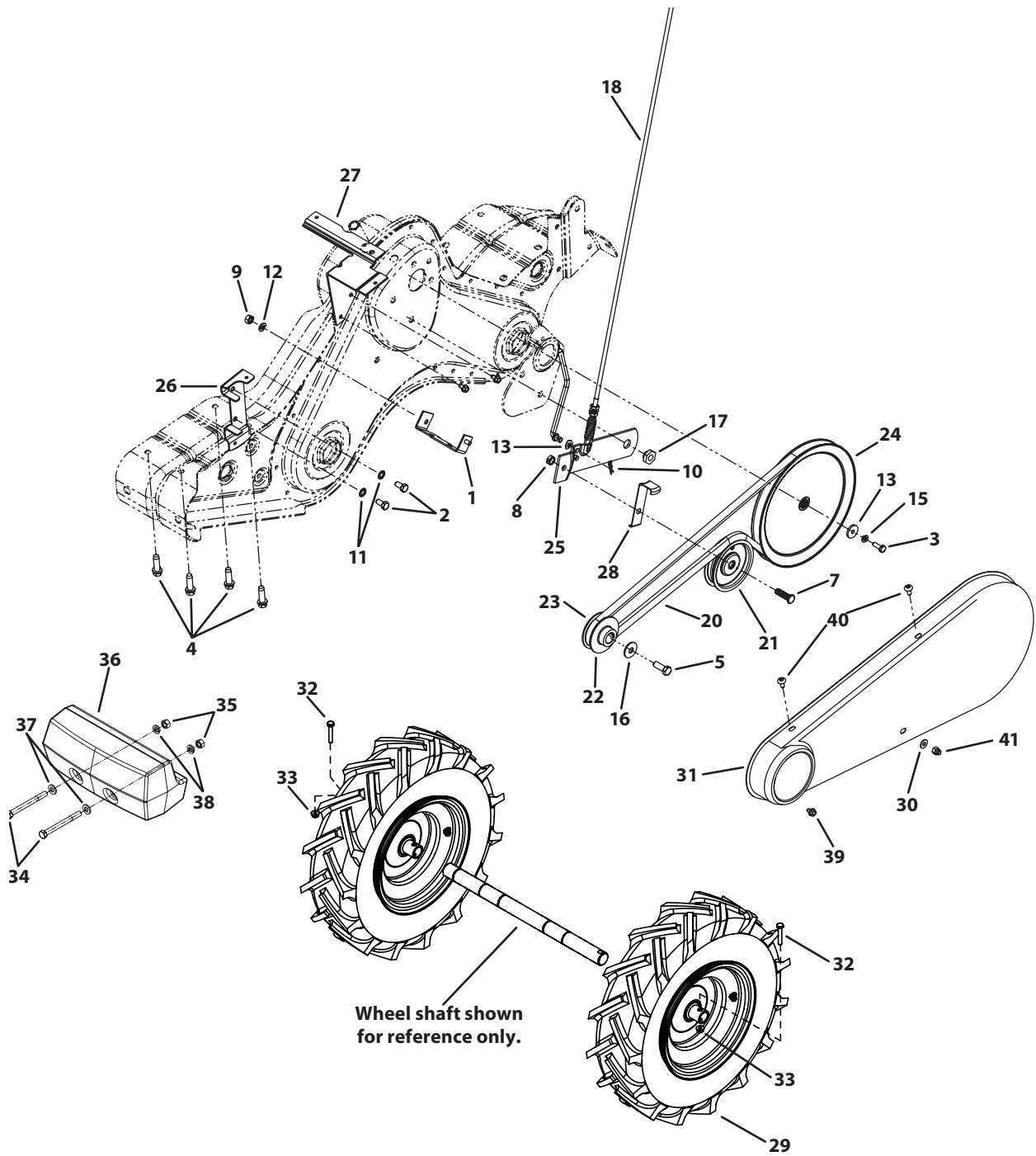
# RT 65 Handle & Tine Assembly



## RT 65 Handle & Tine Assembly

| Ref. | Part Number    | Description                         | Ref. | Part Number    | Description                      |
|------|----------------|-------------------------------------|------|----------------|----------------------------------|
| 1.   | 747-1152       | Shaft Rod                           | 34.  | 712-04063      | Flangelock Nut, 5/16-18          |
| 2.   | 649-0034-4021  | Lower Handle Tube Assembly          | 35.  | 712-04065      | Flangelock Nut, 3/8-16           |
| 3.   | 649-0041-4021  | Upper Handle Assembly               | 36.  | 712-0421       | Wing Nut, 5/16-18 W/ Bell Washer |
| 4.   | 710-0946       | Screw, 1/4-20 x 0.625               | 37.  | 926-0106       | Speed Nut Cap, 1/4 ROD           |
| 5.   | 710-3005       | Hex Head Screw, 3/8-16:1.25         | 38.  | 736-0204       | Washer, Flat, .344 x .62 x .033  |
| 6.   | 710-3056       | Hex Head Screw, 5/16-18 x 3.25      | 39.  | 938-0849       | Screw, Hex, 5/16-18 x .75        |
| 7.   | 911-0415       | Clevis Pin, .375 X 1.75             | 40.  | 747-0432       | Tiller Flap Rod                  |
| 8.   | 712-0324       | Hexlock Nut, 1/4-20                 | 41.  | 750-0885A      | Spacer, .322 x .625 x 2.00       |
| 9.   | 712-0379       | Flangelock Nut, 3/8-24              | 42.  | 786-0090A-4021 | Side Shield                      |
| 10.  | 912-0429       | Hexlock Nut, 5/16-18                | 43.  | 786-0113A-4021 | Rear Tine Shield                 |
| 11.  | 714-0147       | Cotter Pin, .125 X 1.75 INTERNAL    | 44.  | 786-0176-4021  | RH Handle Mount Bracket          |
| 12.  | 720-0210A      | Small Tee Knob                      | 45.  | 786-0177-4021  | LH Handle Mount Bracket          |
| 13.  | 720-0278A      | Foam Grip, .970 x 11.0              | 46.  | 786-0178A-4021 | Tine Shield                      |
| 14.  | 720-0313       | Grip, .1875 x 1.00                  | 47.  | 786-0179-0637  | FRT Tine Shield Bracket          |
| 15.  | 726-0273       | Battery Clamp, 5/16                 | 48.  | 786-0180-0637  | FRT Tine Shield Spacer Bracket   |
| 16.  | 726-0317       | Cable Tie, 8.5 LG                   | 49.  | 686-0109A      | Shift Crank Assembly             |
| 17.  | 735-0246A      | End Plug                            | 50.  | 710-1017       | Screw, ¼-14 x .625               |
| 18.  | 936-0117       | Washer, Flat, .385 x .620 x .033    | 51.  | 915-0120       | Spiral Pin, ¾ x 1.0              |
| 19.  | 736-0242       | Washer, Bell, .340 x .872 x .060    | 52.  | 784-0208D-4021 | Shift Cover                      |
| 20.  | 736-3090       | Washer, Flat, .260 x .720 x .060    | 53.  | 911-0415       | Clevis Pin                       |
| 21.  | 938-0958       | Spacer, Shoulder, .50 x .190 x .360 | 54.  | 712-3054       | Hex Nut, ¾-24                    |
| 22.  | 747-1219-0637  | Clutch Bail                         | 55.  | 742-0305A-0637 | 13" Articulating Tine            |
| 23.  | 784-0190       | Handle Adjustment Crank             | 56.  | 938-0689       | Shoulder Bolt                    |
| 24.  | 784-0191       | Hex Nut Retainer Bracket            | 57.  | 936-0253       | Bell Washer, .515" ID x 1.14" OD |
| 25.  | 786-0120-0637  | Tiller Depth Control                | 58.  | 938-0688       | Shoulder Bolt                    |
| 26.  | 786-0181-4021  | Shaft Rod Lever                     | 59.  | 784-0160-0637  | Tine Adapter Assembly, 18"       |
| 27.  | 735-0127       | Washer, Rubber, .33 ID x .125       | 60.  | 714-04043      | Internal Cotter Pin              |
| 28.  | 914-0104       | Cotter Pin, .072 x 1.12 LG          | 61.  | 936-0169       | Lock Washer                      |
| 29.  | 686-0044B-4021 | End Cover Assembly                  | 62.  | 784-0161-0637  | Tine Adapter Plate               |
| 30.  | 710-0176       | Hex Head Screw, 5/16-18 x 2.75      | 63.  | 731-07556      | Cap                              |
| 31.  | 710-3008       | Hex Head Screw, 5/16-18 x .75       | 64.  | 936-0208       | Washer, Flat, .51 x 1.5 x .07    |
| 32.  | 710-3022       | Hex Head Screw, 3/8-16 x 2.75       | 65.  | 710-1307       | Stud, 5/16-18 x .75              |
| 33.  | 710-04482      | Hex Head Flange, 3/8-16 x .875      |      |                |                                  |

# RT 65 Drive System

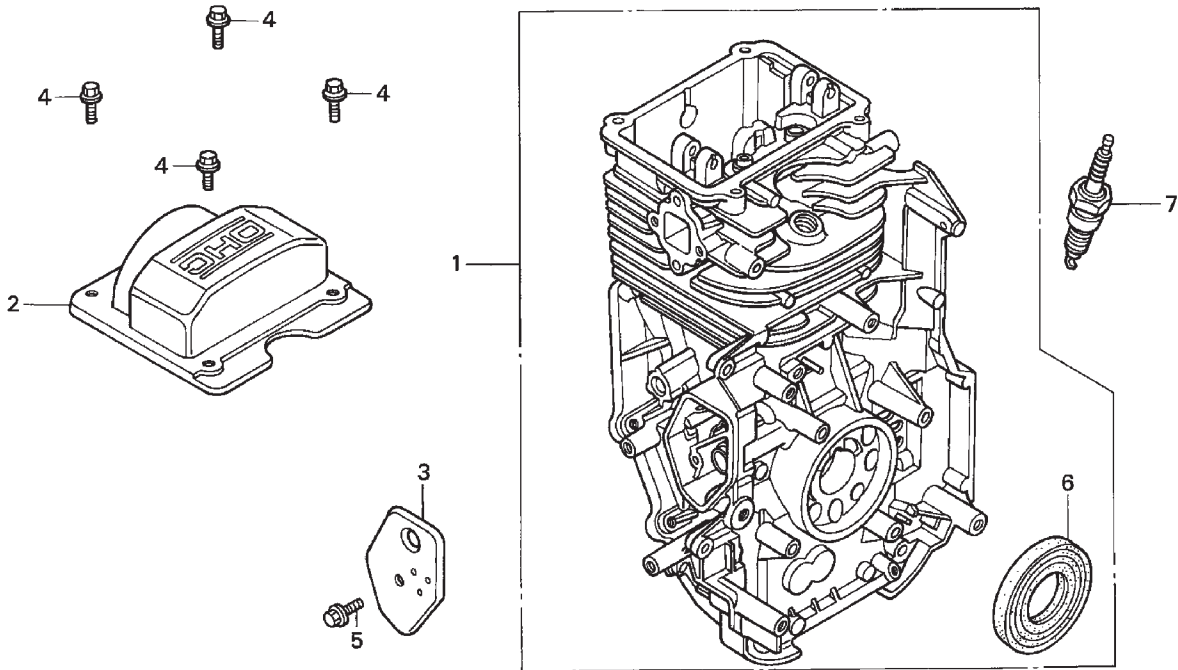


## RT 65 Drive System

| Ref. | Part Number   | Description                      |
|------|---------------|----------------------------------|
| 1.   | 686-0111-0637 | Belt Cover Bracket Assembly      |
| 2.   | 710-0237      | Hex Bolt, 5/16-24 x .62"         |
| 3.   | 710-0412      | Hex Bolt, 1/4-28 x .75"          |
| 4.   | 710-0520      | Hex Washer Screw, 3/8-16 x 1.50" |
| 5.   | 710-1039      | Hex Bolt, 3/8-24 x 1.0           |
| 6.   | 710-0599      | Hex Washer Screw                 |
| 7.   | 710-3005      | Hex Cap Screw, 3/8-16 x 1.25     |
| 8.   | 712-0266A     | Lock Jam Nut, 3/8-16             |
| 9.   | 912-0267      | Hex Nut, 5/16-18                 |
| 10.  | 914-0104      | Internal Cotter Pin              |
| 11.  | 936-0104      | Hairpin Clip                     |
| 12.  | 936-0119      | Lock Washer, 5/16"               |
| 13.  | 936-0176      | Flat Washer, .25 ID x .93 OD     |
| 14.  | 936-0271      | Spring Washer, .317 ID x .625 OD |
| 15.  | 936-0329      | Lock Washer, 1/4" ID             |
| 16.  | 936-0452      | Bell Washer, .396 ID x 1.14 OD   |
| 17.  | 938-0876      | Shoulder Nut, 7/16-20            |
| 18.  | 746-1117      | Clutch Cable                     |
| 19.  | 747-1159      | Idler Pulley Rod                 |
| 20.  | 954-0434      | V-Belt                           |
| 21.  | 756-0405      | Flat Idler w/ Flange, 3.75 OD    |

| Ref. | Part Number    | Description                    |
|------|----------------|--------------------------------|
| 22.  | 756-0971       | Outer Engine Pulley Half       |
| 23.  | 756-0972       | Inner Engine Pulley Half       |
| 24.  | 756-1162       | Input Pulley                   |
| 25.  | 786-0064A      | Idler Bracket                  |
| 26.  | 786-0185A-0637 | Belt Keeper Bracket            |
| 27.  | 786-0187-0637  | Shift Cover Bracket            |
| 28.  | 786-0193-0637  | Idler Belt Keeper              |
| 29.  | 934-04231      | Wheel Assembly, 16.0 x 4.6 x 8 |
| 30.  | 936-3020       | Flat Washer, .271 ID x .630 OD |
| 31.  | 784-0158A-4021 | Belt Cover                     |
| 32.  | 710-0606       | Hex Head Screw, 1/4-20         |
| 33.  | 712-04064      | Flange Lock Nut, 1/4-20        |
| 34.  | 710-0382       | Hex Bolt, 1/2-13 x 5.0         |
| 35.  | 912-0206       | Hex Nut, 1/2-13                |
| 36.  | 723-0381       | Counterweight, 40 lbs.         |
| 37.  | 936-0326       | Flat Washer                    |
| 38.  | 936-0921       | Lock Washer, 1/2               |
| 39.  | 710-0653       | Hex Screw, 1/4-20 x .375       |
| 40.  | 710-1017       | Screw, 1/4-14 x .625           |
| 41.  | 712-0392       | Lock Nut                       |

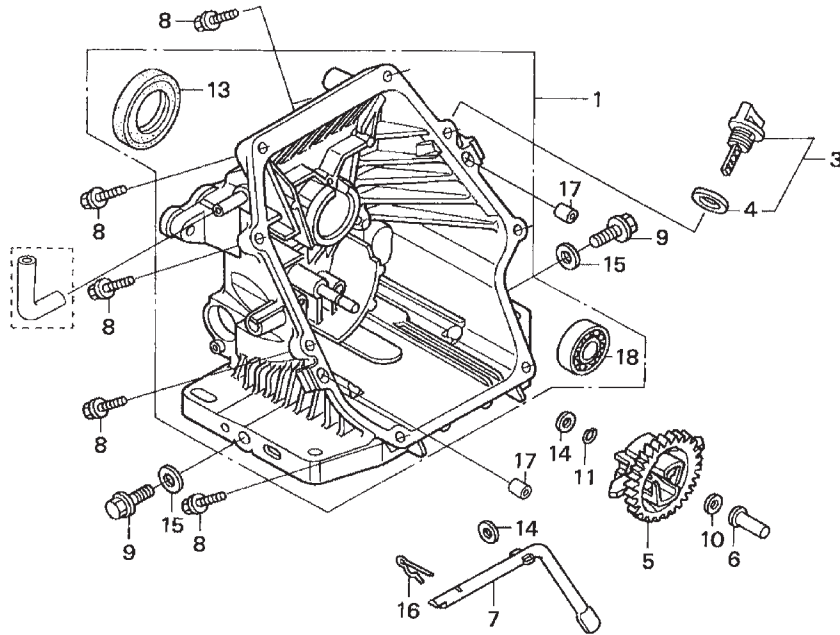
# RT 65 Honda GCV190LA Cylinder



| Ref. | Part Number   | Description                     |
|------|---------------|---------------------------------|
| 1.   | 12000-Z0Y-415 | Cylinder Assembly               |
| 2.   | 12310-Z0J-000 | Head Cover                      |
| 3.   | 12355-ZL8-000 | Breather Cover , Valve Assembly |
| 4.   | 90013-883-000 | Flange Bolt, 6 X 12             |
| 5.   | 90014-952-000 | Flange Bolt, 6 X 14             |
| 6.   | 91201-Z0Y-003 | Oil Seal, 25.4 X 62 X 6         |
| 7.   | 98079-56846   | Spark Plug (BPR6ES NGK)         |

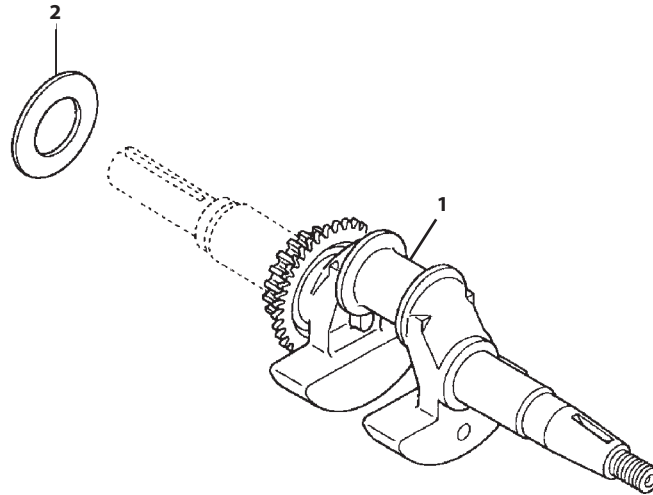


# RT 65 Honda GCV190LA Crankcase Cover



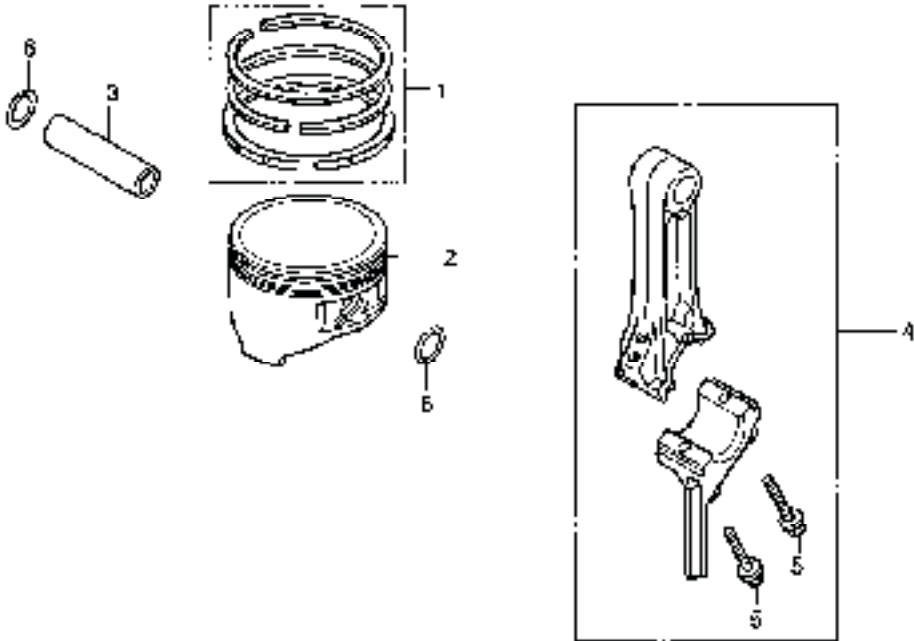
| Ref. | Part Number   | Description              |
|------|---------------|--------------------------|
| 1.   | 11300-Z0Y-Y06 | Crankcase Cover Assembly |
| 3.   | 15650-Z0L-000 | Oil Filler Cap Assembly  |
| 4.   | 15625-ZE6-000 | Oil Filler Cap Gasket    |
| 5.   | 16510-ZM0-010 | Governor Assembly        |
| 6.   | 16531-ZE1-000 | Governor Slider          |
| 7.   | 16541-ZM0-000 | Governor Arm Shaft       |
| 8.   | 90121-952-000 | Flange Bolt, 6 x 25      |
| 9.   | 90131-883-000 | Drain Plug Bolt          |
| 10.  | 90451-ZE1-000 | Thrust Washer, 6mm       |
| 11.  | 90602-ZE1-000 | Governor Holder Clip     |
| 13.  | 91202-ZL8-003 | Oil Seal, 28 x 41.25 x 6 |
| 14.  | 94101-06800   | Plain Washer, 6mm        |
| 15.  | 94109-12000   | Drain Plug Washer, 12mm  |
| 16.  | 94251-08000   | Lock Pin, 8mm            |
| 17.  | 94301-08200   | Dowel Pin, 8 x 20        |

# RT 65 Honda GCV190LA Crankshaft



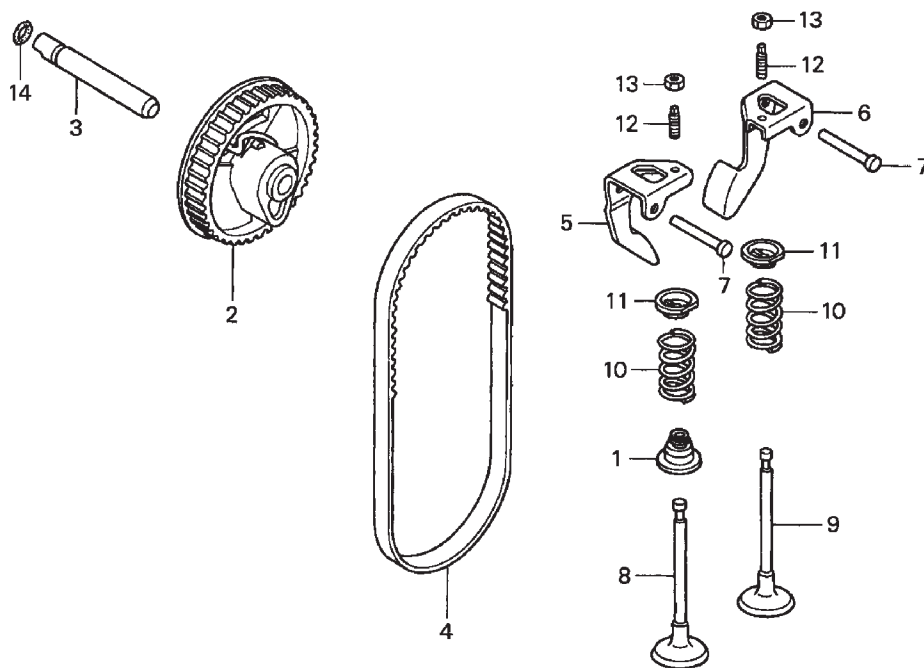
| Ref. | Part Number   | Description         |
|------|---------------|---------------------|
| 1.   | 13310-Z0Y-610 | Crankshaft (M-Type) |
| 2.   | 90402-ZL8-000 | Thrust Washer       |

# RT 65 Honda GCV190LA Piston



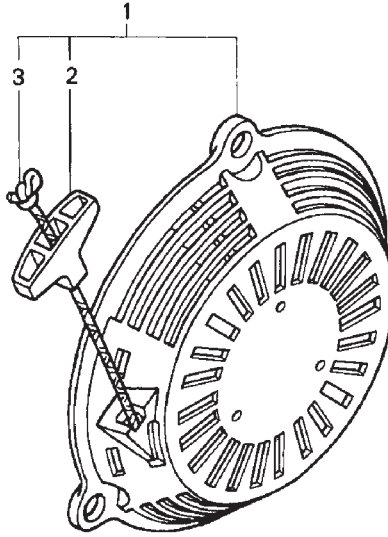
| Ref. | Part Number   | Description               |
|------|---------------|---------------------------|
| 1.   | 13010-Z0Y-014 | Piston Ring Set (Teikoku) |
| 2.   | 13101-Z0Y-010 | Piston                    |
| 3.   | 13111-Z0Y-000 | Piston Pin                |
| 4.   | 13200-Z0Y-000 | Connecting Rod Assemblt   |
| 5.   | 90001-ZE1-000 | Connecting Rod Bolt       |
| 6.   | 90551-ZE0-000 | Piston Pin Clip, 13mm     |

# RT 65 Honda GCV190LA Camshaft



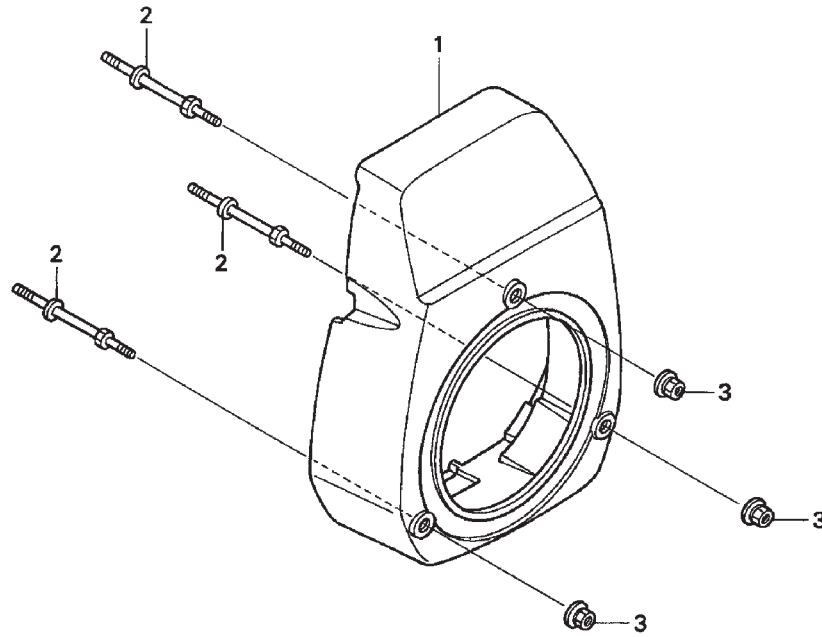
| Ref. | Part Number   | Description                    |
|------|---------------|--------------------------------|
| 1.   | 12209-ZM0-003 | Valve Stem Seal                |
| 2.   | 14320-Z0Y-000 | Cam Pulley                     |
| 3.   | 14324-ZL8-000 | Cam Pulley Shaft               |
| 4.   | 14400-Z0J-014 | Timing Belt, 84HU& G-200       |
| 5.   | 14431-Z0J-000 | Internal Valve Rocker Arm      |
| 6.   | 14441-Z0J-000 | External Valve Rocker Arm      |
| 7.   | 14461-ZL8-000 | Rocker Arm Shaft               |
| 8.   | 14711-Z0J-000 | Internal Valve                 |
| —    | 14711-Z0J-000 | Internal Valve                 |
| 9.   | 14721-ZL8-000 | External Valve                 |
| 10.  | 14751-ZL8-000 | Valve Spring                   |
| 11.  | 14777-Z0J-000 | Internal Valve Spring Retainer |
| 12.  | 90012-333-000 | Tappet Adjustable Screw        |
| 13.  | 90206-001-000 | Tappett Adjustble Nut          |
| 14.  | 91301-ZM0-V31 | O-Ring, 6.8 x 1.9              |

## RT 65 Honda GCV190LA Recoil Starter



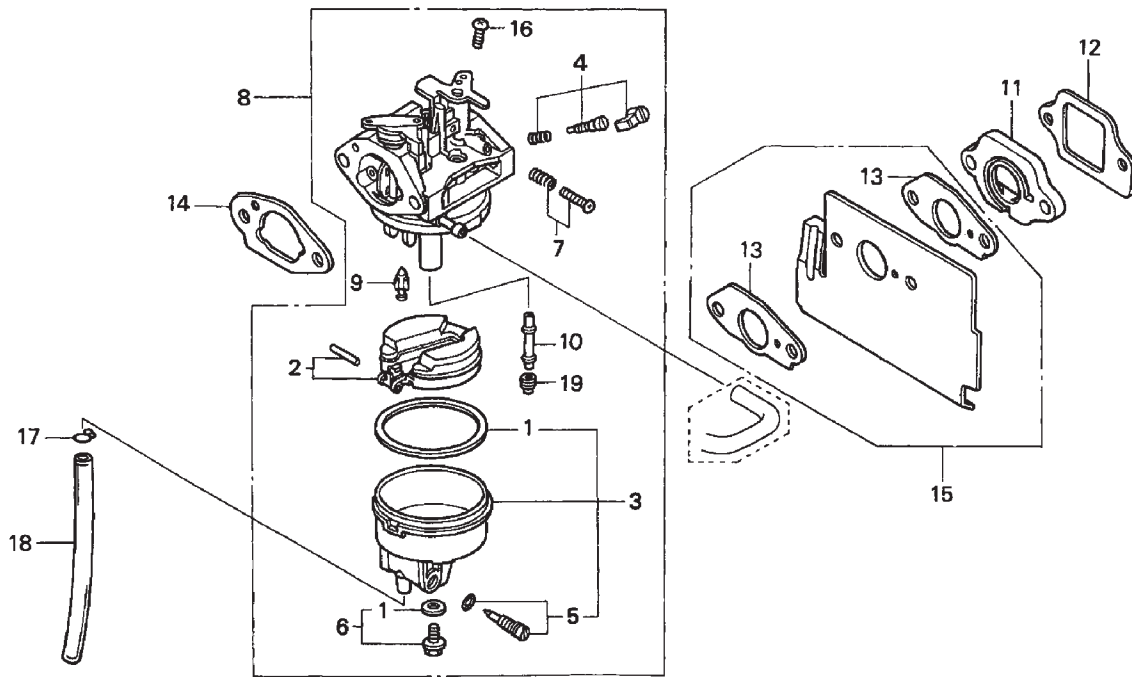
| Ref. | Part Number     | Description                         |
|------|-----------------|-------------------------------------|
| 1.   | 28400-Z0Y-V202A | Recoil Starter Assembly (Black)     |
| —    | 28400-Z1A-013ZB | Recoil Starter Assembly (Power Red) |
| 2.   | 28461-ZL8-003   | Recoil Starter Knob                 |
| 3.   | 28462-ZL8-003   | Recoil Starter Rope, #3.5 x 52"     |

# RT 65 Honda GCV190LA Fan Cover



| Ref. | Part Number     | Description           |
|------|-----------------|-----------------------|
| 1.   | 19610-Z0L-851ZA | Fan Cover (Black)     |
| —    | 19610-Z0L-850ZE | Fan Cover (Power Red) |
| 2.   | 90043-ZL8-000   | Stud Bolt             |
| 3.   | 19619-ZL8-300   | Flange Nut, 6mm       |

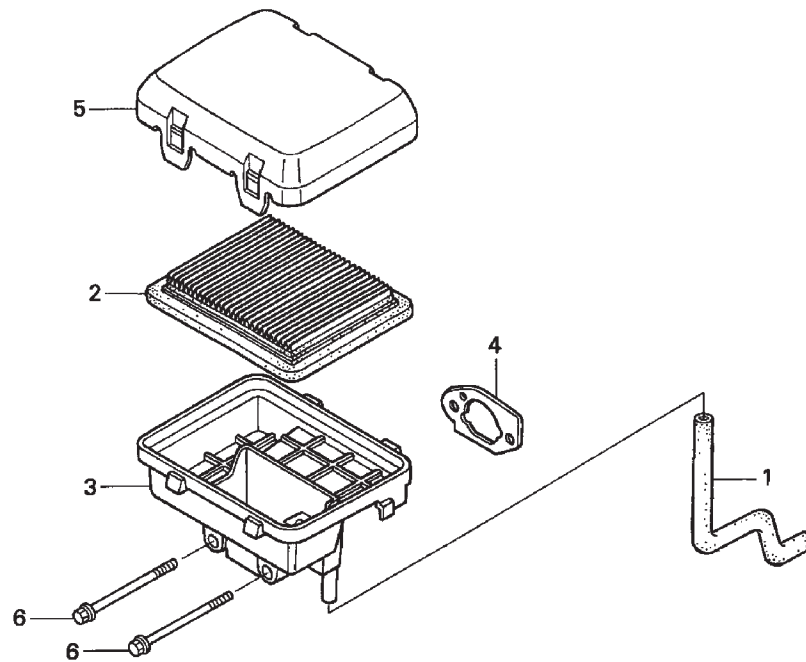
# RT 65 Honda GCV190LA Carburetor



| Ref. | Part Number   | Description                  |
|------|---------------|------------------------------|
| 1.   | 16010-883-015 | Gasket Set                   |
| 2.   | 16013-ZL1-003 | Float Set                    |
| 3.   | 16015-887-782 | Float Chamber Set            |
| 4.   | 16016-ZG0-W00 | Screw Set                    |
| 5.   | 16024-ZE1-811 | Drain Screw Set              |
| 6.   | 16028-ZE0-005 | Screw Set B                  |
| 7.   | 16029-ZG0-901 | Screw Set                    |
| 8.   | 16100-Z0Y-821 | Carburetor Assembly, BB65C A |
| 9.   | 16155-ZM0-013 | Float Valve                  |
| 10.  | 16166-Z1A-003 | Main Nozzle                  |
| 11.  | 16211-ZL8-000 | Carburetor Insulator         |

| Ref. | Part Number     | Description                         |
|------|-----------------|-------------------------------------|
| 12.  | 16212-ZL8-000   | Insulator Gasket                    |
| 13.  | 16221-887-800   | Carburetor Gasket                   |
| 14.  | 16228-ZL8-000   | Carburetor Gasket (Choke Side)      |
| 15.  | 19650-ZM0-000   | Air Guide                           |
| 16.  | 93500-05006-1H  | Pan Screw, 5 x 6                    |
| 17.  | 95002-02080     | Tube Clip, B8                       |
| 18.  | 95003-07008-60M | Vinyl Bulk Hose (4X7X8000, 4X7X150) |
| 19.  | 99101-124-0650  | Main Jet, #70                       |
| —    | 99101-124-0650  | Main Jet, #65                       |
| —    | 99101-124-0680  | Main Jet, #68                       |

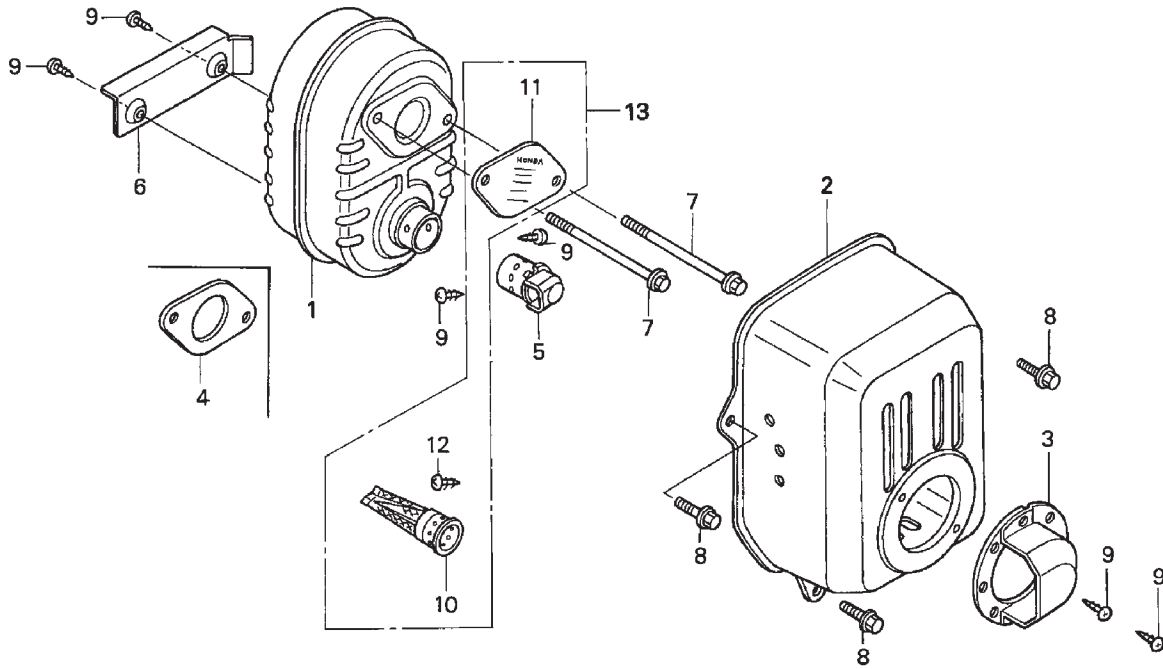
# RT 65 Honda GCV190LA Air Filter



| Ref. | Part Number   | Description          |
|------|---------------|----------------------|
| 1.   | 15721-ZM0-000 | Breather Tube        |
| 2.   | 17211-ZL8-023 | Air Cleaner Element  |
| 3.   | 17220-ZM0-020 | Air Cleaner Housing  |
| 4.   | 17228-ZM0-000 | Air Cleaner Gasket   |
| 5.   | 17231-Z0L-040 | Air Cleaner Cover    |
| 6.   | 90003-ZM0-000 | Flange Bolt, 6 x 112 |

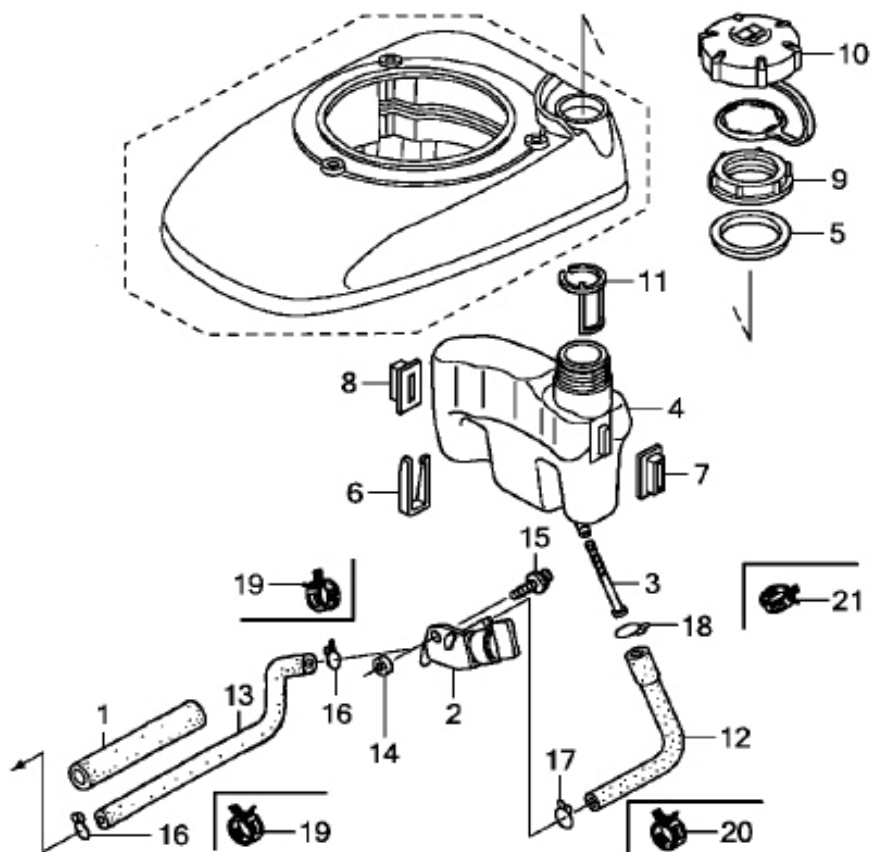


# RT 65 Honda GCV190LA Muffler



| Ref. | Part Number   | Description           |
|------|---------------|-----------------------|
| 1.   | 18310-Z0J-000 | Muffler               |
| 2.   | 18321-Z0L-000 | Muffler Protector     |
| 4.   | 18381-ZL8-305 | Muffler Gasket        |
| 6.   | 19664-ZL8-000 | Muffler Shroud        |
| 7.   | 90004-ZL8-000 | Flange Bolt, 6 x 79   |
| 8.   | 90013-883-000 | Flange Bolt, 6 x 12   |
| 9.   | 90055-ZE1-000 | Tapping Screw, 4 x 6  |
| 10.  | 18350-ZL8-000 | Spark Arrester        |
| 11.  | 18356-ZL8-000 | Arrester Number Plate |
| 12.  | 90055-ZE1-000 | Tapping Screw, 4 x 6  |
| 13.  | 06180-Z0J-000 | Spark Arrester Kit    |

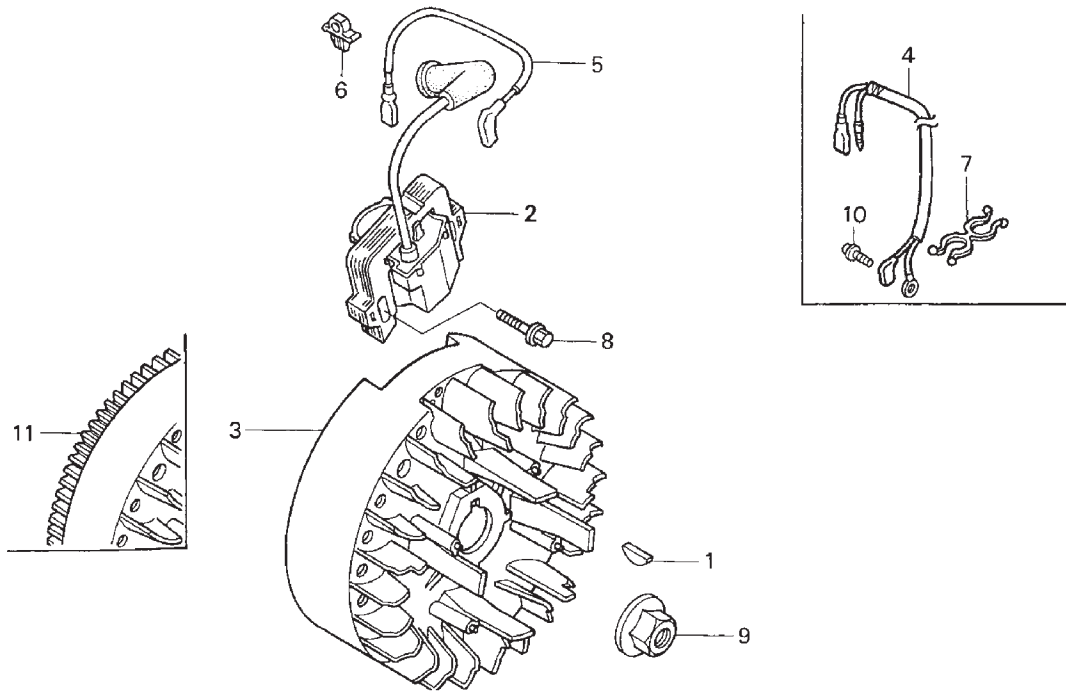
## RT 65 Honda GCV190LA Fuel System



| Ref. | Part Number   | Description             |
|------|---------------|-------------------------|
| 1.   | 16854-ZH8-000 | Supporter Rubber, 107mm |
| 2.   | 16950-ZM0-003 | Fuel Pump Assembly      |
| 3.   | 16952-ZA8-800 | Fuel Strainer           |
| 4.   | 17511-Z0L-010 | Fuel Tank               |
| 5.   | 17514-Z0L-000 | Fuel Filler Neck Seal   |
| 6.   | 17516-Z0L-000 | Tank Mounting Clip      |
| 7.   | 17532-Z0L-000 | Tank Mounting Rubber, A |
| 8.   | 17533-Z0L-000 | Tank Mounting Rubber, B |
| 9.   | 17534-Z0L-000 | Tank Mounting Nut       |
| 10.  | 17620-Z0J-800 | Fuel Cap Assembly       |
| 11.  | 17636-Z0L-000 | Fuel Level Gauge        |

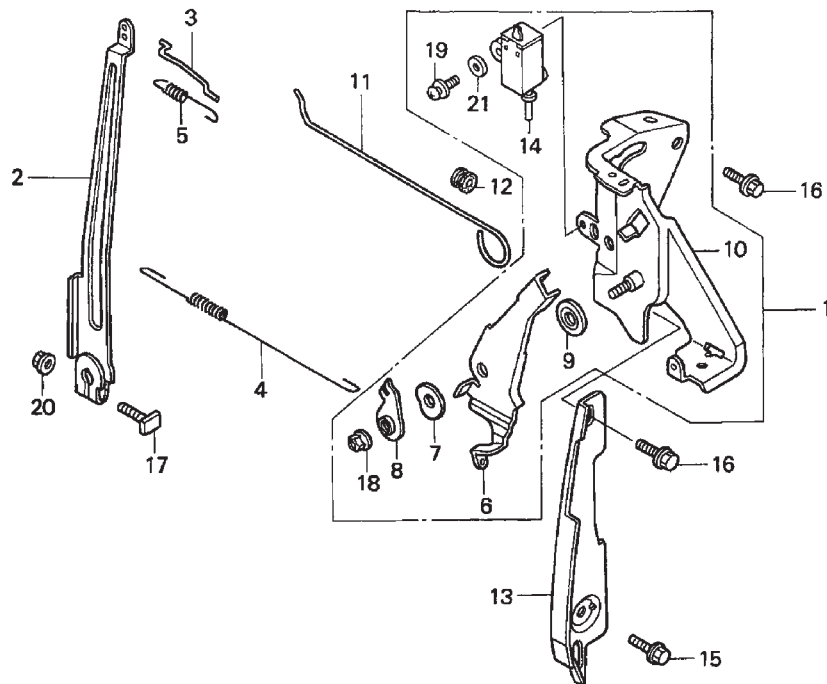
| Ref. | Part Number    | Description          |
|------|----------------|----------------------|
| 12.  | 17701-Z0L-810  | Fuel Tank Tube       |
| 13.  | 17702-ZM0-800  | Fuel Tube            |
| 14.  | 33609-GK4-620  | Collar               |
| 15.  | 93891-05010-08 | Screw-Washer, 5 x 10 |
| 16.  | 95002-02080    | Tube Clip, B8        |
| 17.  | 95002-02100    | Tube Clip, B10       |
| 18.  | 95002-7000     | Tube Clip, C11       |
| 19.  | 95002-40800-08 | Tube Clamp, D8       |
| 20.  | 95002-41000-08 | Tube Clamp, D10      |
| 21.  | 95002-41200-08 | Tube Clamp, D12      |

# RT 65 Honda GCV190LA Flywheel



| Ref. | Part Number   | Description                   |
|------|---------------|-------------------------------|
| 1.   | 13331-357-000 | Special Woodruff Key, 25 x 18 |
| 2.   | 30500-Z0J-003 | Ignition Coil Assembly        |
| 3.   | 31105-Z0Y-010 | Flywheel                      |
| 5.   | 32195-ZM0-800 | Stop Switch Wire              |
| 6.   | 51125-Z0L-003 | Stop Switch Wire Holder       |
| 8.   | 90022-888-010 | Flange Bolt, 6 x 20           |
| 9.   | 90213-S3Y-000 | Flange Nut, 14mm              |

# RT 65 Honda GCV190LA Controls



| Ref. | Part Number   | Description            |
|------|---------------|------------------------|
| 1.   | 16500-ZL8-000 | Control Assembly       |
| 2.   | 16551-ZM0-010 | Governor Arm           |
| 3.   | 16555-Z0L-800 | Governor Rod           |
| 4.   | 16561-ZM0-V30 | Governor Spring        |
| 5.   | 16562-ZM0-000 | Throttle Return Spring |
| 6.   | 16612-ZM0-V30 | Control Lever          |
| 7.   | 16574-ZE1-000 | Lever Spring           |
| 8.   | 16575-ZE2-W00 | Control Lever Washer   |
| 9.   | 16578-ZE1-000 | Control Lever Spacer   |
| 10.  | 16580-Z0L-810 | Control Base           |
| 11.  | 16674-ZM0-V30 | Choke Control Rod      |

| Ref. | Part Number    | Description                 |
|------|----------------|-----------------------------|
| 12.  | 16613-893-000  | Choke Rod Grommet           |
| 13.  | 19612-ZL8-000  | Side Plate                  |
| 14.  | 35120-ZL8-003  | Engine Stop Switch Assembly |
| 15.  | 90013-883-000  | Flange Bolt, 6 x 12         |
| 16.  | 90014-952-000  | Flange Bolt, 6 x 14         |
| 17.  | 90015-ZE5-010  | Governor Arm Bolt           |
| 18.  | 90114-SA0-000  | Self-lock Nut, 6mm          |
| 19.  | 93892-04012-00 | Screw-Washer, 4 x 12        |
| 20.  | 94050-06000    | Flange Nut, 6mm             |
| 21.  | 94103-04000    | Plain Washer, 4mm           |

**Notes**

---

---

---

---

---

---

---

---

---

---

---

---

---

---

---

---

---

---

---

---

---

---

---

---

---

---

---

---

---

---

---

---

---

---

---

---

---

---

---

---

---

---

---

---

---

---

---

---

---

---

---

---

---

---

---

---

---

---

---

---

---

---

---

---

---

---

---

---

---

---

---

---

---

---

---

---

---

---

---



To order replacement parts, call a Customer Support Representative at (800) 965-4CUB.  
Locate your nearest Cub Cadet dealer at (877) 282-8684  
or visit [www.cubcadet.com](http://www.cubcadet.com) to find the nearest Cub Cadet dealer in your area.

---

**CUB CADET LLC, P.O. BOX 361131 CLEVELAND, OHIO 44136-0019**

---