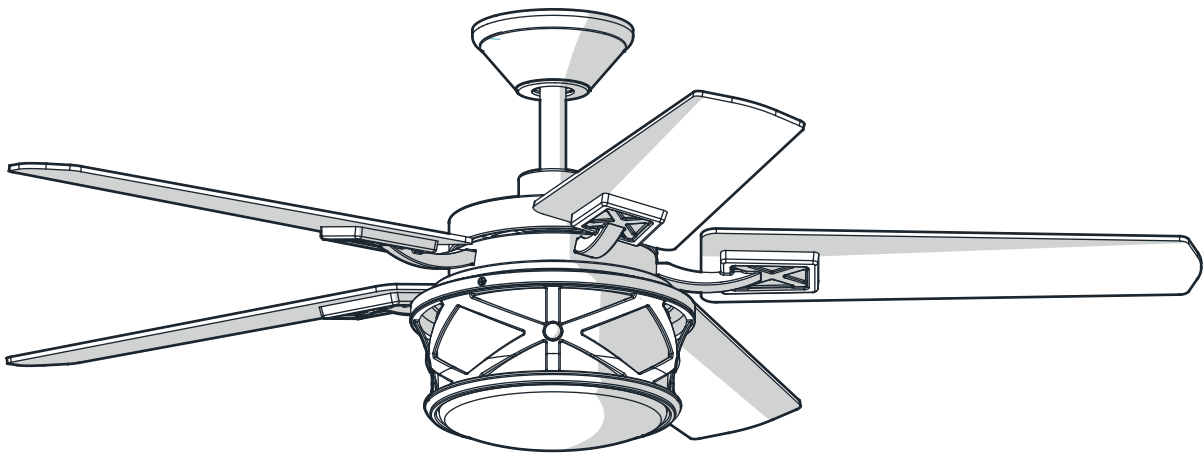


USE AND CARE GUIDE

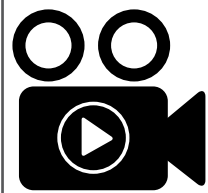
COPLEY 52-INCH CEILING FAN



Questions, problems, missing parts? Before returning to the store,
call Home Decorators Collection Customer Service
8 a.m. - 7 p.m., EST, Monday-Friday, 9 a.m. - 6 p.m., EST, Saturday.

1-800-986-3460

HOMEDEPOT.COM/HOMEDECORATORS



To view an instructional video on how to install this product:

1. Go to www.homedepot.com and enter either the Item or Model number, found in the top right corner of the cover of this instruction manual, in the search field.
2. Click on your product from the list of search results and click on the video link in the "Product Overview" section.

THANK YOU

We appreciate the trust and confidence you have placed in Home Decorators Collection through the purchase of this ceiling fan. We strive to continually create quality products designed to enhance your home. Visit us online to see our full line of products available for your home improvement needs. Thank you for choosing Home Decorators Collection!

Table of Contents

| | | | |
|--------------------------|---|-------------------------|----|
| Table of Contents | 2 | Assembly | 7 |
| Safety Information | 2 | Operation | 15 |
| Warranty | 3 | Care and Cleaning | 16 |
| Pre-Installation | 3 | Troubleshooting | 16 |
| Installation | 6 | | |

Safety Information

READ AND SAVE THESE INSTRUCTIONS.

1. To reduce the risk of electric shock, ensure the electricity has been turned off at the circuit breaker or fuse box before you begin.
2. All wiring must be in accordance with the National Electrical Code ANSI/NFPA 70 and local electrical codes. Electrical installation should be performed by a qualified licensed electrician.
3. The outlet box and support structure must be securely mounted and capable of reliably supporting 35 lbs. (15.9 kg). Use only UL Listed outlet boxes marked "Acceptable for Fan Support of 35 lbs. (15.9 kg) or less".
4. The fan must be mounted with a minimum of 7 ft (2.1 m) clearance from the trailing edge of the blades to the floor.
5. Do not operate the reversing switch while the fan blades are in motion. You must turn the fan off and stop the blades before you reverse the blade direction.
6. Do not place objects in the path of the blades.
7. To avoid personal injury or damage to the fan and other items, use caution when working around or cleaning the fan.
8. Electrical diagrams are for reference only. Light kits that are not packed with the fan must be UL-listed and marked suitable for use with the model fan you are installing. Switches must be UL General Use Switches. Refer to the instructions packaged with the light kits and switches for proper assembly.
9. After making electrical connections, spliced conductors should be turned upward and pushed carefully up into the outlet box. The wires should be spread apart with the grounded conductor and the equipment-grounding conductor on one side of the outlet box.
10. All setscrews must be checked and retightened where necessary before installation.



WARNING: To reduce the risk of personal injury, do not bend the blade brackets (also referred to as flanges) during assembly or after installation. Do not insert objects in the path of the blades.



WARNING: To reduce the risk of fire or electric shock, do not use this fan with any solid-state speed control device.



WARNING: To avoid possible electrical shock, turn the electricity off at the main fuse box before wiring. If you feel you do not have enough electrical wiring knowledge or experience, contact a licensed electrician.



WARNING: Electrical diagrams are for reference only. Optional use of any light kit shall be UL-listed and marked suitable for use with this fan.



WARNING: To reduce the risk of fire or electric shock, "this fan should only be used with fan speed control part no. MR140A manufactured by Satellite Industrial Co., LTD"



WARNING: To reduce the risk of electric shock, this fan must be installed with an isolating wall switch.



CAUTION: To reduce the risk of personal injury, use only the screws provided with the outlet box.



CAUTION: Changes or modifications not expressly approved by the party responsible for compliance could void the user's authority to operate the equipment.



CAUTION: Do NOT use this fan with a dimmer switch or wall control. Using a dimmer switch or wall control will damage the fan.

Warranty

The supplier warrants the fan motor to be free from defects in workmanship and material present at time of shipment from the factory for a lifetime after the date of purchase by the original purchaser. The supplier also warrants that all other fan parts, excluding any glass or acrylic blades, to be free from defects in workmanship and material at the time of shipment from the factory for a period of two years after the date of purchase by the original purchaser. We agree to correct such defects without charge or at our option replace with a comparable or superior model if the product is returned. To obtain warranty service, you must present a copy of the receipt as proof of purchase. All costs of removing and reinstalling the product are your responsibility. Damage to any part such as by accident, misuse, improper installation, or by affixing any accessories, is not covered by this warranty. Because of varying climatic conditions this warranty does not cover any changes in brass finish, including rusting, pitting, corroding, tarnishing, or peeling. Brass finishes of this type give their longest useful life when protected from varying weather conditions. A certain amount of "wobble" is normal and should not be considered a defect. Servicing performed by unauthorized persons shall render the warranty invalid. There is no other express warranty. Home Decorators Collection hereby disclaims any and all warranties, including but not limited to those of merchantability and fitness for a particular purpose to the extent permitted by law. The duration of any implied warranty which cannot be disclaimed is limited to the time period as specified in the express warranty. Some states do not allow a limitation on how long an implied warranty lasts, so the above limitation may not apply to you. The retailer shall not be liable for incidental, consequential, or special damages arising out of or in connection with product use or performance except as may otherwise be accorded by law. Some states do not allow the exclusion of incidental or consequential damages, so the above exclusion or limitation may not apply to you. This warranty gives specific legal rights, and you may also have other rights which vary from state to state. This warranty supersedes all prior warranties. Shipping costs for any return of product as part of a claim on the warranty must be paid by the customer.

Contact the Customer Service Team at 1-800-986-3460 or visit www.HomeDepot.com/homedecorators.

Pre-Installation

SPECIFICATIONS

| Size | Speed | Volts | Amps | Watts | RPM | CFM | Net Weight | Gross Weight | Cube Feet |
|--------|--------|-------|------|-------|-----|------|-------------------------|-------------------------|-------------|
| 52 in. | Low | 120 | 0.26 | 15 | 70 | 1948 | 23.15 lbs. (10.5 kg) | 26.68 lbs. (12.1 kg) | 2.33 cu.ft. |
| | Medium | | 0.38 | 32 | 110 | 2974 | | | |
| | High | | 0.56 | 67 | 165 | 4614 | | | |



NOTE: These are approximate measures. They do not include the Amps and Wattage used by the light kit.

TOOLS REQUIRED



Phillips screwdriver



Flat blade screwdriver



Adjustable wrench



Electrical tape



Wire cutter



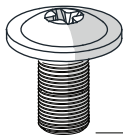
Step ladder

Pre-Installation (continued)

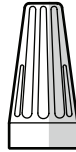
HARDWARE INCLUDED



NOTE: Hardware not shown to actual size.



AA



BB



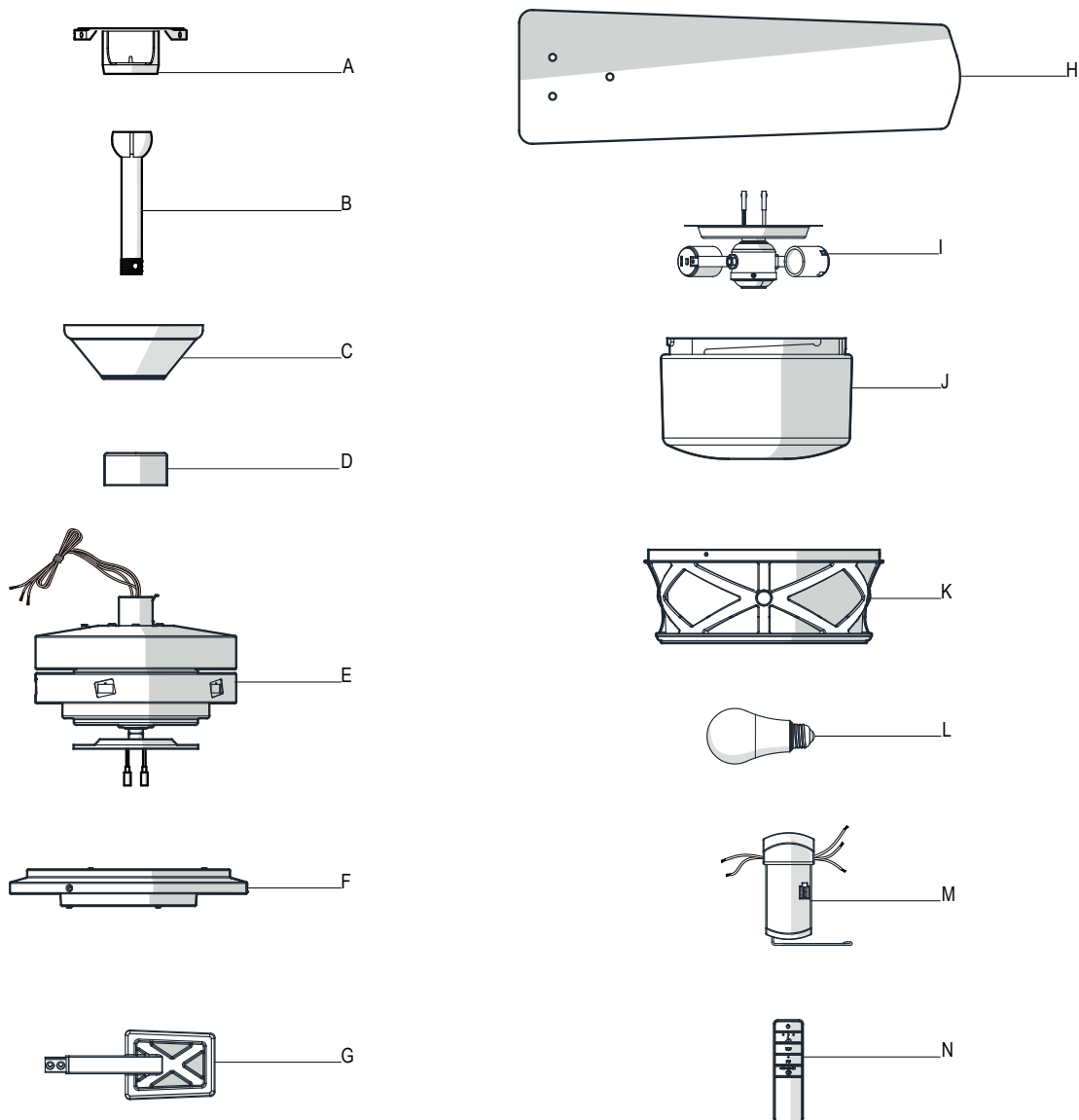
CC

| Part | Description | Quantity |
|------|-------------------------|----------|
| AA | Blade attachment screws | 16 |
| BB | Plastic wire connector | 3 |

| Part | Description | Quantity |
|------|---|----------|
| CC | Blade bracket hardware (screw and lockwasher) | 11 |

Pre-Installation (continued)

PACKAGE CONTENTS



| Part | Description | Quantity |
|------|---|----------|
| A | Slide-on mounting bracket (inside canopy) | 1 |
| B | Ball/downrod assembly | 1 |
| C | Canopy | 1 |
| D | Decorative motor collar cover | 1 |
| E | Fan-motor assembly | 1 |



IMPORTANT: This product and/or components are governed by one or more of the following U.S. Patents: 5,947,436; 5,988,580; 6,010,110; 6,046,416, 6,210,117 and other patents pending.

| Part | Description | Quantity |
|------|-----------------------------------|----------|
| F | Light kit pan | 1 |
| G | Blade bracket | 5 |
| H | Blade | 5 |
| I | Light kit fitter assembly | 1 |
| J | Glass bowl | 1 |
| K | Light kit decorative cage | 1 |
| L | LED bulbs (9.5-Watt, Maximum) | 2 |
| M | Receiver | 1 |
| N | Remote control (battery included) | 1 |

Installation

MOUNTING OPTIONS

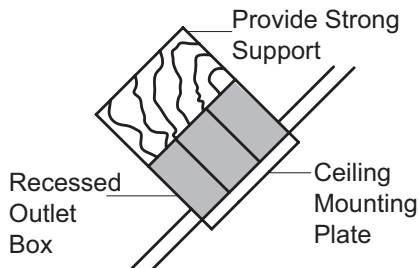
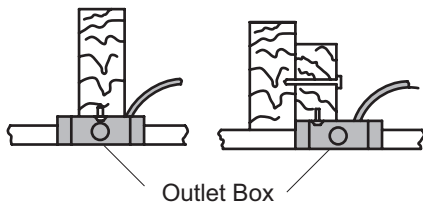
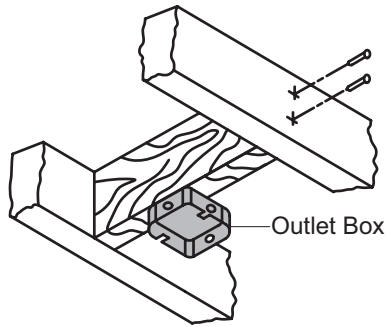


WARNING: To reduce the risk of fire, electric shock, or personal injury, mount the fan to an outlet box marked "Acceptable for fan support of 35 lbs. (15.9kg) or less" and use the screws provided with the outlet box. An outlet box commonly used for the support of lighting fixtures may not be acceptable for fan support and may need to be replaced. If in doubt, consult a qualified electrician.

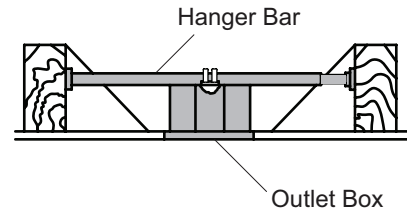
If your ceiling fan does not have an existing UL-listed mounting box, then install one using the following instructions:

- Disconnect the power by removing the fuses or turning off the circuit breakers.
- Secure the outlet box directly to the building structure. Use the appropriate fasteners and materials. The outlet box and its bracing must be able to fully support the weight of the moving fan (at least 35 lbs.). Do not use a plastic outlet box.

The illustrations below show three different ways to mount the outlet box.



NOTE: You may need a longer downrod to maintain proper blade clearance when installing on a steep, sloped ceiling. The maximum angle allowable is 30° away from horizontal.



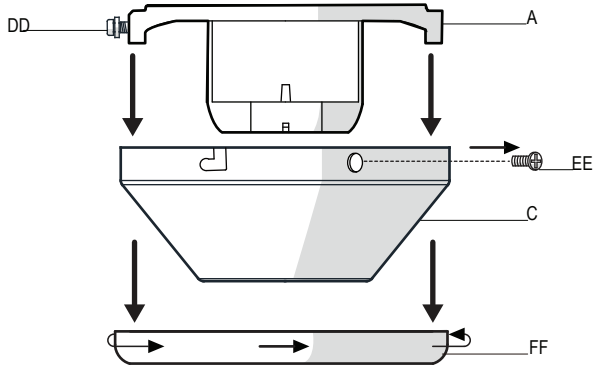
If the canopy (C) touches the ball/downrod assembly (B), then remove the decorative canopy bottom cover and turn the canopy (C) 180° before attaching the canopy (C) to the mounting plate.

To hang your fan where there is an existing fixture but no ceiling joist, you may need an installation hanger bar as shown above (available at any Home Depot store).

Assembly - Standard Ceiling Mount

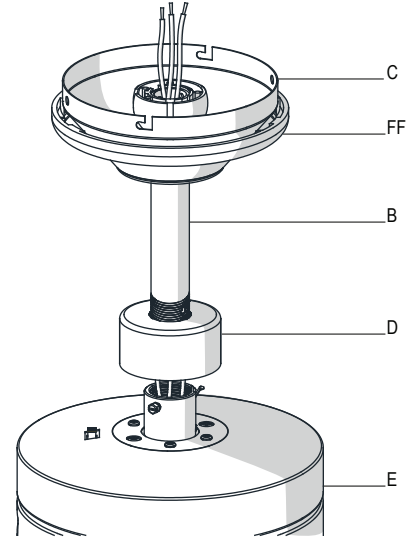
1 Preparation for standard mounting

- Remove the canopy ring (FF) from the canopy (C) by turning the ring counterclockwise until it unlocks.
- Remove the mounting bracket (A) from the canopy (C) by loosening the two canopy screws (DD) located in the “L shaped” slots.
- Remove and save the two canopy screws (EE) in the round holes. This will enable you to remove the mounting bracket (A).



2 Routing the wires

- Route the wires exiting at the top of the fan-motor assembly (E) through the canopy ring (FF).
- Insert the ball/downrod (B) through the canopy (C) and slide the decorative motor collar cover (D) onto the end of the ball/downrod (B). Make sure the slots on the canopy (C) are on top.
- Route the wires exiting the top of the fan motor assembly (E) through the downrod as shown.



3 Assembling the fan

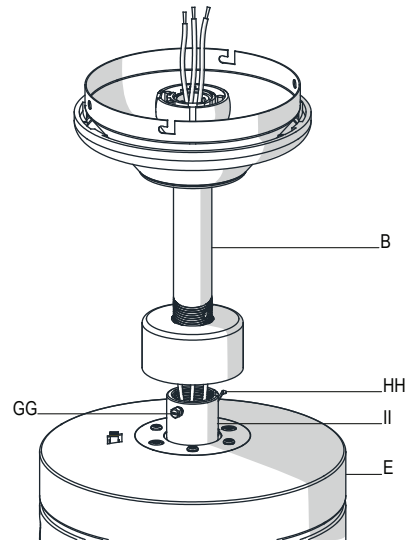


CAUTION: To ensure wobble-free operation and to avoid damage to the fan, the downrod (B) and the setscrew (GG) must be completely tightened.



NOTE: This fan is equipped with a safety tab (HH). Should the setscrew (GG) ever become loose while the fan is running in reverse, the safety tab (HH) will engage and stop the fan from falling.

- Loosen, but do not remove, the setscrew (GG) on the collar (II) on top of the fan-motor assembly (E).
- Install the downrod (B) by inserting it into the motor collar (II), and turning it clockwise until it is tight.
- Re-tighten the setscrew (GG) on the collar (II) on top of the fan motor assembly (E).



Assembly - Hanging the Fan

1 Attaching the fan to the electrical box

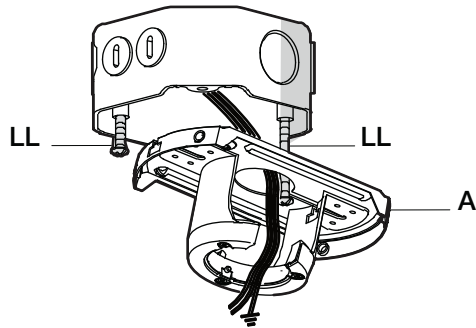


WARNING: To reduce the risk of fire, electric shock, or other personal injury, mount the fan to an outlet box or supporting system marked "Acceptable for fan support of 35 lbs. (15.9kg) or less" and use the mounting screws provided with the outlet box.



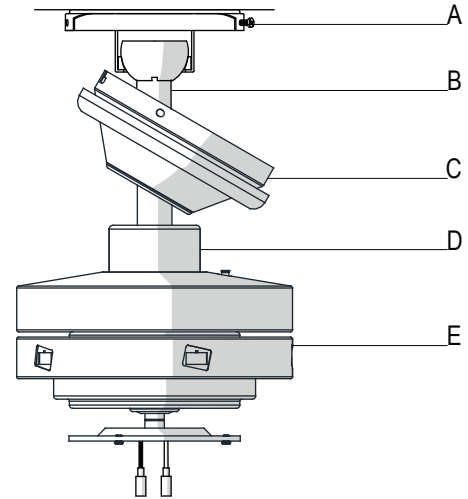
NOTE: The mounting bracket (A) is designed to slide into place on an outlet box with the outlet box screws (LL).

- Pass the 120-Volt supply wires through the center hole in the slide-on mounting bracket (A).
- Install the ceiling slide-on mounting bracket (A) on the outlet box by sliding the slide-on mounting bracket (A) over the two screws (LL) provided with the outlet box. If necessary, use leveling washers (not included) between the slide-on mounting bracket (A) and the outlet box. Note that the flat side of the slide-on mounting bracket (A) is toward the outlet box.
- Securely tighten the two mounting screws (LL).



2 Hanging the fan

- Carefully lift the fan-motor assembly (E) up to the slide-on mounting bracket (A).
- Seat the hanger ball portion of the ball/downrod assembly (B) in the mounting bracket socket. Ensure that the tab on the slide-on mounting bracket (A) socket is properly seated in the groove in the hanger ball.



Assembly - Hanging the Fan (continued)

3 Setting the code on the remote control and receiver



NOTE: The frequencies on your receiver and hand unit have been preset at the factory. Before installing the receiver, make sure the dip switches on the receiver and hand unit are set to the same frequency. The dip switches on the hand unit are located inside the battery compartment.

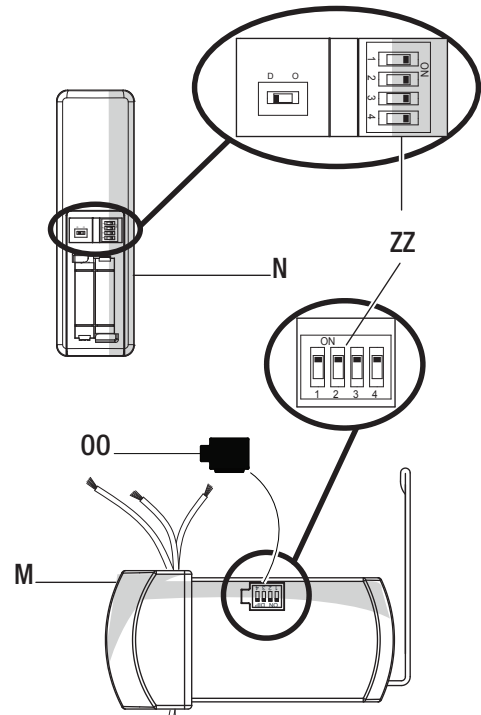


NOTE: The switch marked "O/D" controls the dimming function of the lights. If using non-dimmable bulbs, use a ballpoint pen or small screwdriver to set the switch to "O" to disable the dimming function. If using dimmable bulbs, set the switch to "D" to enable the dimming function. The remote is preset at factory to the "D" position.



NOTE: The battery will weaken with age and should be replaced before leaking takes place as this will damage the hand unit. Dispose of used battery properly and keep the battery out of the reach of children.

- ❑ Remove the remote control (N) battery cover by pressing firmly on the arrow and sliding the cover off.
- ❑ Slide the dip switches (ZZ) to your choice of either up or down. The factory setting is up.
- ❑ Slide the dip switches (ZZ) on the receiver (M) to the same position as set on the remote control (N).
- ❑ Install two 1.5V AAA batteries (included).
- ❑ Replace the battery cover on the remote control (N).
- ❑ Insert the silicone rubber stopper (OO) into the hole on the receiver (M) to cover the dip switches.



4 Installing the receiver



WARNING: To reduce the risk of fire or electric shock, remember to disconnect power. The electrical wiring must meet all local and national electrical code requirements. The electrical source and fan must be 110/120 volt, 60Hz. Do not use this product in conjunction with any variable wall control. Incorrect wire connection can damage this receiver.

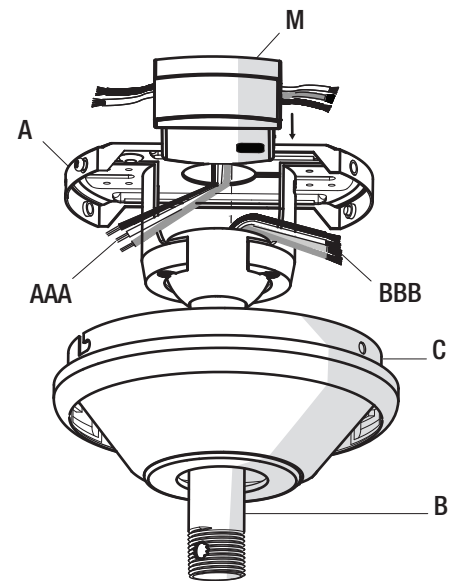
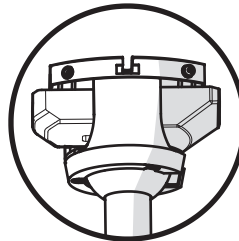


CAUTION: If other fan wires are a different color, have this unit installed by a licensed electrician.



CAUTION: Do not install the receiver in a damp location or immerse in water (For indoor use only). Do not pull on or cut the receiver leads shorter. Do not drop or bump the unit.

- ❑ Position the house supply wires (AAA) to one side of the slide-on mounting bracket (A); position the fan wires (BBB) to the opposite side.
- ❑ Insert the narrow end of the receiver (as shown, flat side towards the ceiling) into the slide-on mounting bracket until it rests on top of the ball/downrod assembly.



Assembly - Hanging the Fan (continued)

5 Wiring the receiver to the household wiring



WARNING: To avoid possible electrical shock, turn the electricity off at the main fuse box before wiring. If you feel you do not have enough electrical wiring knowledge or experience, contact a licensed electrician.

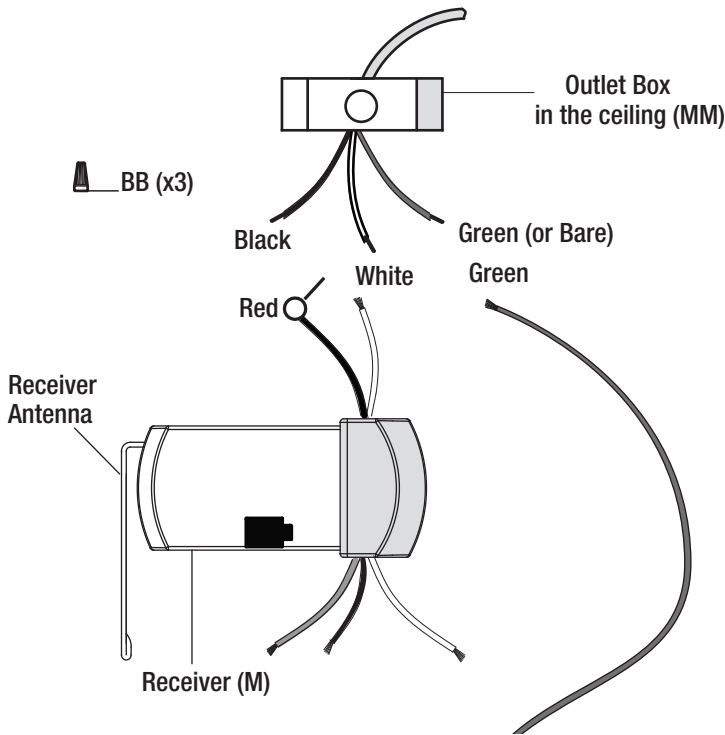


WARNING: Each wire nut supplied with this fan is designed to accept up to one 12-gauge house wire and two wires from the fan. If you have larger than 12-gauge house wiring or more than one house wire to connect to the fan wiring, consult an electrician for the proper size wire nuts to use.



IMPORTANT: Use the wire connecting nuts (BB) supplied with your fan. Secure the connectors with electrical tape and ensure there are no loose strands or connections.

- Spread the wires apart so that the green and white wires are on one side of the outlet box and the black wire is on the other side.
- Connect the green fan wires to the household ground wire (this may be a green or bare wire) using a wire connecting nut (BB).
- Connect the receiver (M) red wire to the household black (hot) wire using a wire connecting nut (BB).
- Connect the receiver (M) white wire to the household white wire (neutral) using a wire connecting nut (BB).
- Secure each wire connecting nut using electrical tape.



6 Wiring the fan to the receiver



IMPORTANT: Use the wire connecting nuts (BB) supplied with your fan. Secure the connectors with electrical tape and ensure there are no loose strands or connections.

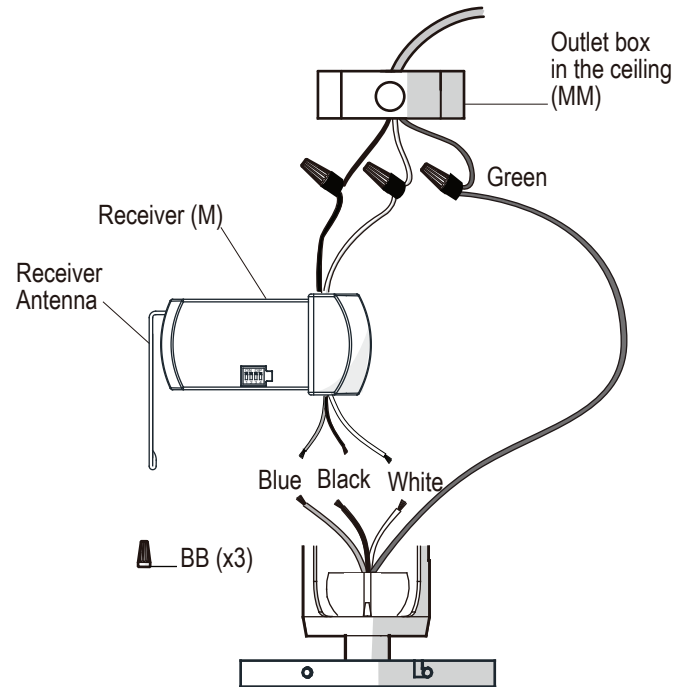


IMPORTANT: If after this step, you decide to check that the electrical connections have been successful, it is critical to attach the light kit using the quick connector prior to testing. The fan will not operate unless the light kit is connected to the fan.



NOTE: The fan comes with 54 in. lead wires for use with an extended ball/downrod assembly. If using the 6 in. ball/downrod assembly (B) provided, you can cut the lead wires to your desired length (no shorter than 13.5 in.).

- The fan comes with 54 in. lead wires for use with an extended ball/downrod assembly. If using the 6 in. ball/downrod assembly (B) provided, you can cut the lead wires to your desired length (no shorter than 13.5 in.) This will make extra room in the canopy (C), if you do not wish to cut the wires, you will need to neatly wrap them.
- Connect the fan motor white wire to the receiver white wire using a wire connecting nut (BB).
- Connect the fan motor black wire to the receiver black wire using a wire connecting nut (BB).
- Connect the fan motor blue wire to the receiver blue wire using a wire connecting nut (BB).
- Secure each wire connecting nut using electrical tape.
- Turn the wire connecting nut (BB) upward and push the wiring into the outlet box (MM).



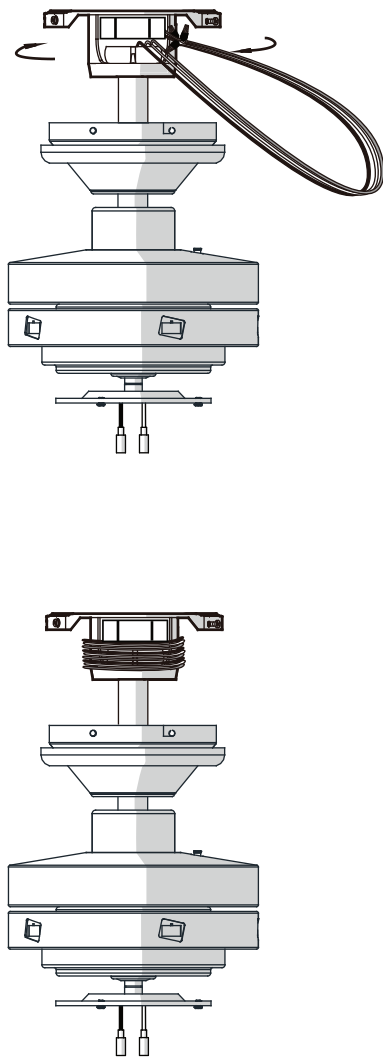
Assembly - Hanging the Fan (continued)

7 Wrapping the extra wire



NOTE: Follow this step **ONLY** if you did not cut the extra length off from the wires coming from the ceiling fan to the receiver.

- Gently wrap the excess wire around the mounting bracket, under the receiver.
- Secure with electrical tape.



8 Mounting the fan-motor assembly (standard mount)

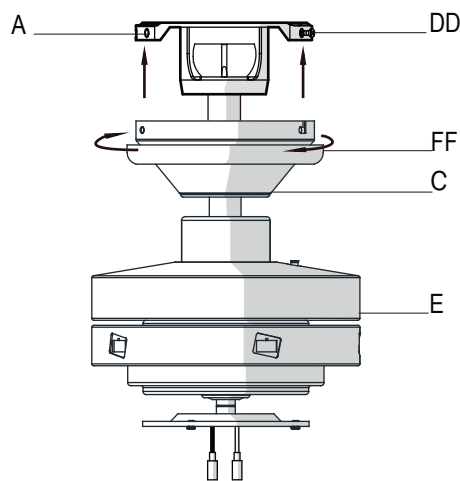


WARNING: When using the standard ball/downrod mounting, the tab in the ring at the bottom of the mounting bracket must rest in the groove of the hanger ball. Failure to properly seat the tab in the groove could cause damage to the wiring.



WARNING: The locking slots of ceiling canopy are provided only as an aid to mounting. Do not leave the fan assembly unattended until all four canopy screws are engaged and firmly tightened.

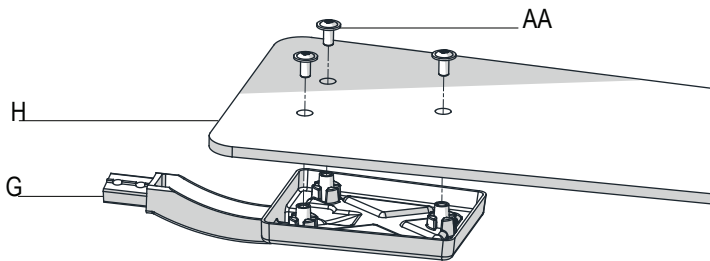
- Align the locking slots of the ceiling canopy (C) with the two screws (DD) in the mounting bracket (A). Push up to engage the slots and turn clockwise to lock in place.
- Firmly tighten the two mounting screws (DD).
- Install the two mounting screws (saved from Assembly Step 1 "Preparing for mounting") into the holes in the canopy (C) and tighten firmly.
- Install the decorative canopy ring (FF) by aligning the ring's slots with the screws in the canopy (C). Rotate the ring clockwise to lock in place.



Assembly - Attaching the Blades

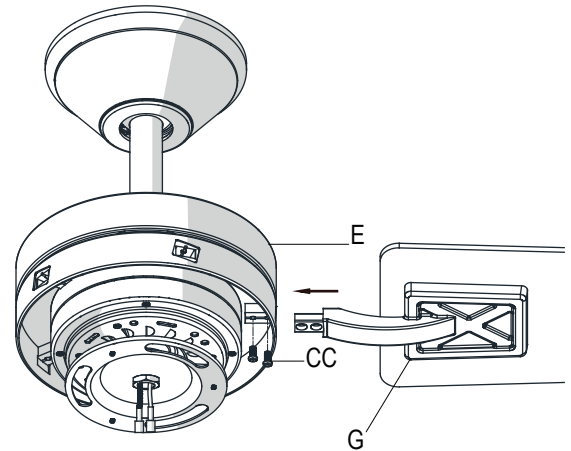
1 Attaching the blades to the blade brackets

- Attach a blade (H) to blade bracket (G) by inserting the screws (AA) into the holes in the blade and through the blade bracket (G).
- Tighten each screw securely.
- Repeat this step for each blade and blade bracket.



2 Fastening the blade assemblies to the motor

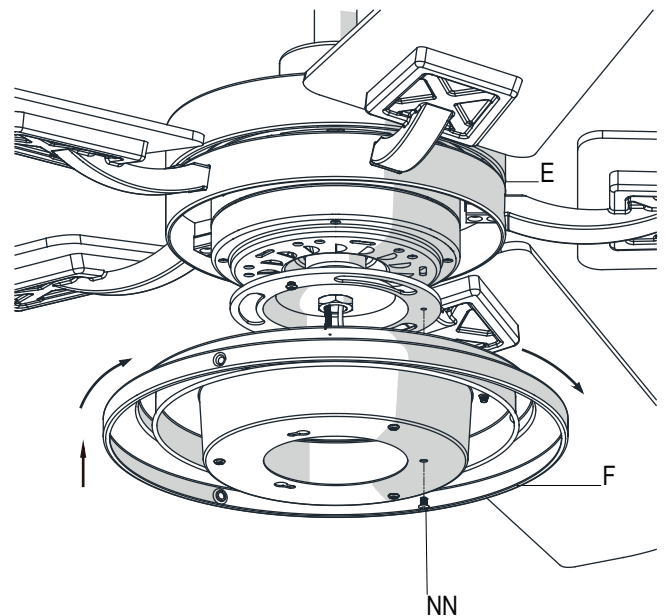
- Insert the blade/ blade bracket assembly through the hole in the side of center flywheel on the fan-motor assembly (E). Align the two screw holes in the blade bracket with the screw holes in the center flywheel and secure with screws (CC).



Assembly - Attaching the Light

1 Attaching the light kit pan

- Remove one screw (NN) from the black bracket below fan motor assembly (E), loosen but do not remove the other two screws.
- Push the light kit pan (F) up to the fan motor assembly (E) so that the two loosened screw heads fit into the keyhole slots. Turn the light kit pan (F) clockwise.
- Re-install the screw (NN) that was removed in step 1.
- Make sure all the screws are firmly tightened.



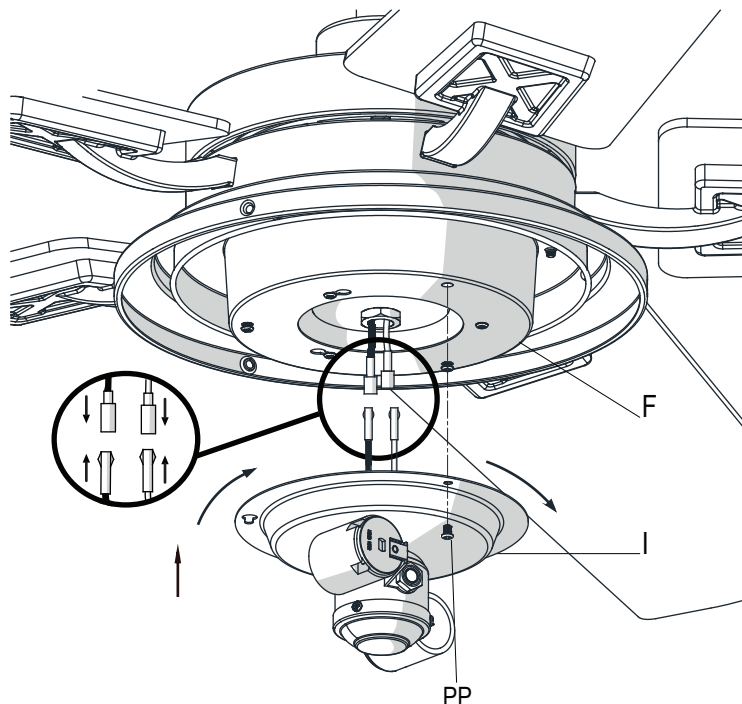
Assembly - Attaching the Light (continued)

2 Attaching the light kit fitter assembly



CAUTION: To reduce the risk of electric shock, disconnect the electrical supply circuit to the fan before installing the light fixture.

- Remove one screw (PP) from the round hole in the light kit pan, and loosen, but do not remove the other two screws.
- Connect the blue wire exiting the bottom of the fan motor assembly (E) with the black wire from the top of the light kit fitter assembly (I).
- Connect the white wire exiting the bottom of the fan motor assembly (E) with the white wire from the top of the light kit fitter assembly (I).
- Push the light kit fitter assembly (I) up to the light kit pan so that the two loosened screw heads fit into the keyhole slots. Turn the light kit fitter assembly (I) clockwise to secure.
- Re-install the screw (PP) that was removed in step 1.
- Make sure all the screws are firmly tightened.



3 Installing the bulbs and glass bowl

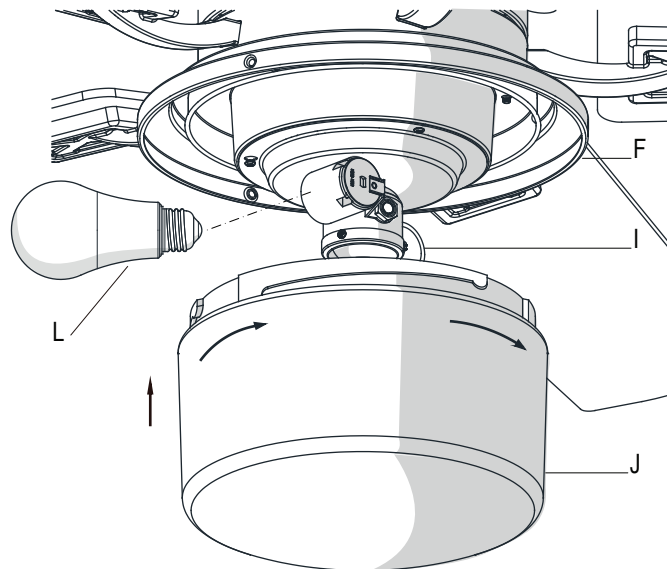


CAUTION: Make sure the power is off before attaching or removing the glass bowl.



WARNING: Allow the glass bowl to cool completely before removing.

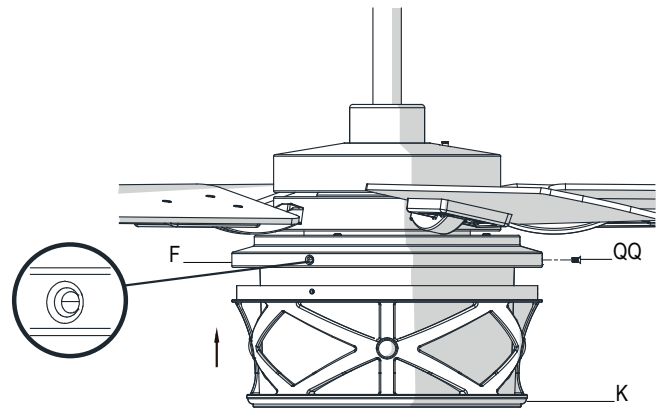
- With power off, install the two LED bulbs (L) (Max.9.5W, included) by screwing into the light bulb sockets.
- Place the bowl (J) into the light kit pan (E), by aligning the three flat areas on the top flange of the bowl (J) with the three raised dimples in the light kit pan.
- Turn the bowl clockwise until it stops.



Assembly - Attaching the Light (continued)

4 Attaching the light kit decorative cage

- Remove three screws (QQ) on the side of the light kit pan (F) and save them for later use.
- Push up the light kit decorative cage (K) to the light kit pan. Ensure the holes on the light kit decorative cage are aligning with the holes on the light kit pan.
- Re-install the three screws (QQ) removed in first step, and tighten them securely.



Operating Your Fan and Remote Control

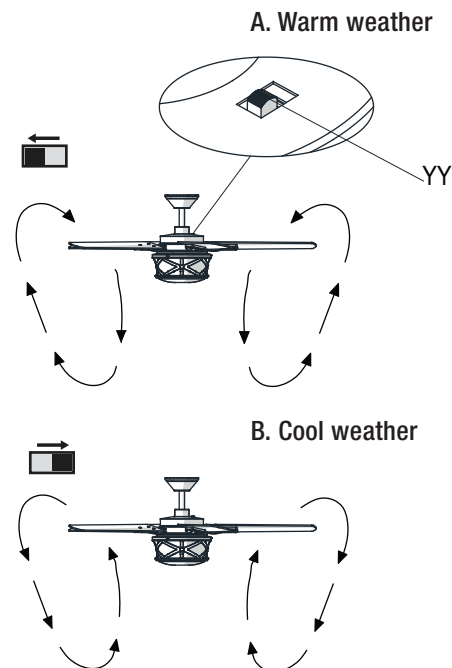
Remote Control - Your fan is equipped with a remote control to operate the speed and lights of your new ceiling fan.

Speed setting for warm or cool weather depends on factors such as the room size, ceiling height, number of fans and so on.















The fan is shipped from the factory with the reversing switch (YY) positioned to circulate air downward. If airflow is desired in the opposite direction, turn your fan off and wait for the blades to stop turning, then slide the reversing switch (located on the top of the motor housing) to the opposite position, and turn the fan on again. The fan blades will turn in the opposite direction and reverse airflow.

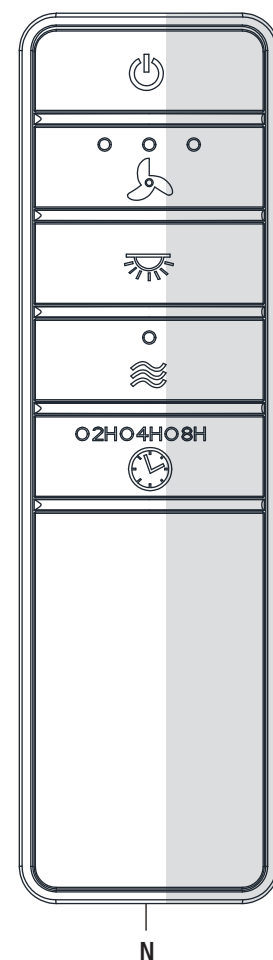
Warm weather - (Forward) A downward airflow creates a cooling effect. This allows you to set your air conditioner on a higher setting without affecting your comfort.

Cool weather - (Reverse) An upward airflow moves warm air off of the ceiling. This allows you to set your heating unit on a lower setting without affecting your comfort.



Operating Your Fan and Remote Control

- Power ON/OFF** - Press and release the  button to turn the fan and light on or off.
 - Press and hold the  button for 5 seconds to use the "walk away time delay"; this will activate the light for 30 seconds (the light will be activated at 50% brightness).
- Fan Speed** - LEDs on the fan speed button will illuminate to the corresponding speed.
 -  - Press and release 1 time - turns the fan on high speed.
 -  - Press and release 2 times - turns the fan on medium speed.
 -  - Press and release 3 times - turns the fan on low speed.
 -  - Press and release 4 times - turns the fan off.
- Light ON/OFF**
 - Press and release the  button to turn the light on or off.
 - Press and hold the  button to activate the dimmer function (as long as you have NOT previously set O/D dip switch in your remote to the "ON" position).
- Comfort Breeze™**
 - Press and release  button to enable Comfort Breeze™; this will change your fan speed randomly, simulating a relaxing breeze. To cancel this feature press  or .
- Timer**
 -  - While the fan is on press 1 time - turns on a 2 hour run timer.
 -  - While the fan is on press 2 times - turns on a 4 hour run timer.
 -  - While the fan is on press 3 times - turns on an 8 hour run timer.



Care and Cleaning



WARNING: Make sure the power is off before cleaning your fan.

- Because of the fan's natural movement, some connections may become loose. Check the support connections, brackets, and blade attachments twice a year. Make sure they are secure. It is not necessary to remove the fan from the ceiling.
- Clean your fan periodically to help maintain its new appearance over the years. Do not use water when cleaning, as this could damage the motor, or the wood, or possibly cause an electrical shock. Use only a soft brush or lint-free cloth to avoid scratching the finish. The plating is sealed with a lacquer to minimize discoloration or tarnishing.
- You can apply a light coat of furniture polish to the wood for additional protection and enhanced beauty. Cover small scratches with a light application of shoe polish.
- You do not need to oil your fan. The motor has permanently-lubricated sealed ball bearings.

Troubleshooting

| Problem | Solution |
|-------------------------|--|
| The fan will not start. | <ul style="list-style-type: none"><input type="checkbox"/> Check the main and branch circuit fuses or breakers.<input type="checkbox"/> Check to make sure the wall switch is in the on position if applicable.<input type="checkbox"/> Check the line wire connections to the fan and switch wire connections in the switch housing.<input type="checkbox"/> Check the battery in the transmitter.<input type="checkbox"/> Ensure you are in the normal range of 10-20 feet.<input type="checkbox"/> Ensure the dip switch settings are the same on the transmitter and receiver.<input type="checkbox"/> Remember to turn off the power supply before checking the dip switches settings. |
| The fan is noisy. | <ul style="list-style-type: none"><input type="checkbox"/> Ensure all motor housing screws are snug.<input type="checkbox"/> Ensure the screws that attach the fan blade bracket to the motor hub are tight.<input type="checkbox"/> Ensure the wire nut connections are not rattling against each other or the interior wall of the switch housing.<input type="checkbox"/> Allow a 24-hour "breaking in" period. Most noises associated with a new fan disappear during this time.<input type="checkbox"/> If you are using the ceiling fan light kit, ensure the screws securing the glassware are tight. Check that the light bulbs are also secure.<input type="checkbox"/> Ensure the canopy is a short distance from the ceiling. It should not touch the ceiling.<input type="checkbox"/> Ensure your outlet box is secure and rubber isolator pads were used between the mounting plate and outlet box. |
| The fan wobbles. | <ul style="list-style-type: none"><input type="checkbox"/> Check that all blade and blade arm screws are secure.<input type="checkbox"/> Most fan wobble problems are caused when blade levels are unequal. Check this level by selecting a point on the ceiling above the tip of one of the blades. Measure from a point on the center of each blade to the point on the ceiling. Rotate the fan until the next blade is positioned for measurement. Repeat for each blade. Any measurement deviation should be within 1/8". Run the fan for ten minutes. If the fan continues to wobble please contact Customer Service and a balancing kit will be sent to you at no charge. |

This equipment has been tested and found to comply with the limits for a Class B digital device, pursuant to Part 15 of the FCC Rules. These limits are designed to provide reasonable protection against harmful interference in a residential installation. This equipment generates, uses and can radiate radio frequency energy and, if not installed and used in accordance with the instructions, may cause harmful interference to radio communications. However, there is no guarantee that interference will not occur in a particular installation. If this equipment does cause harmful interference to radio or television reception, which can be determined by turning the equipment off and on, the user is encouraged to try to correct the interference by one or more of the following measures:

--Reorient or relocate the receiving antenna.

--Increase the separation between the equipment and receiver.

--Connect the equipment into an outlet on a circuit different from that to which the receiver is connected.

--Consult the dealer or an experienced radio/TV technician for help.

CAUTION:

Any changes or modifications not expressly approved by the grantee of this device could void the user's authority to operate the equipment.

This device complies with Part 15 of the FCC Rules. Operation is subject to the following two conditions: (1) This device may not cause harmful interference, and (2) this device must accept any interference received, including interference that may cause undesired operation.

HOME DECORATORS COLLECTION

Questions, problems, missing parts? Before returning to the store,
call Home Depot Customer Service
8 a.m. - 7 p.m., EST, Monday-Friday, 9 a.m. - 6 p.m., EST, Saturday.

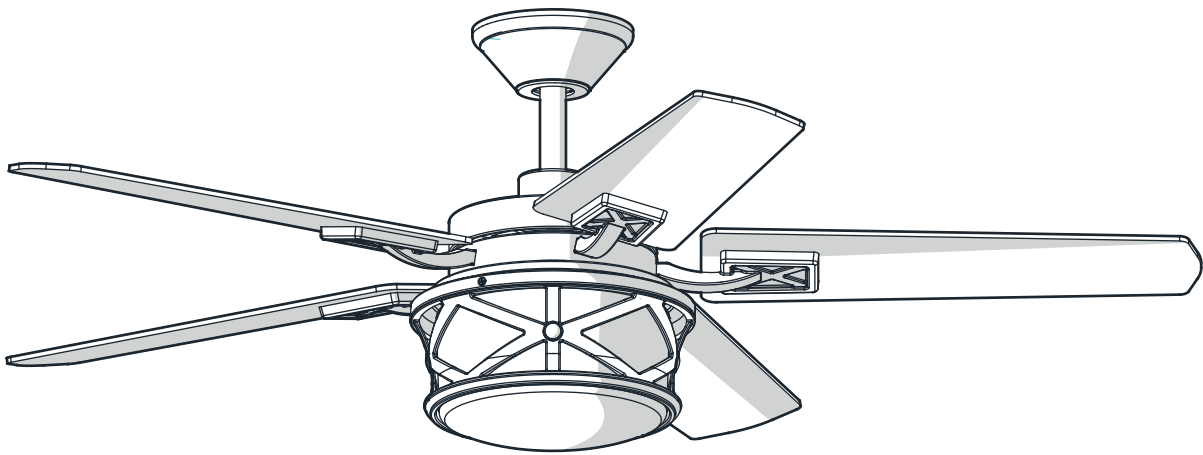
1-800-986-3460

HOMEDEPOT.COM/HOMEDECORATORS

Retain this manual for future use.

GUÍA DE USO Y MANTENIMIENTO

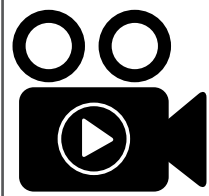
VENTILADOR DE TECHO COPLEY DE 52 PLG



¿Preguntas, problemas o piezas perdidas? Antes de devolver a la tienda, llama al Servicio al Cliente de Home Decorators Collection, de lunes a viernes, entre 8 a.m. y 7 p.m. (Hora Estándar del Este), y los sábados de 9 a.m. a 6 p.m. (Hora Estándar del Este).

1-800-986-3460

HOMEDEPOT.COM/HOMEDECORATORS



Para ver un video instructivo sobre cómo instalar este producto:

1. Ir a www.homedepot.com e introduzca el artículo o el número de modelo, que se encuentra en la part superior esquina derecha de la portada de este manual de instrucciones, en el campo de búsqueda.
2. Haga clic en su producto de la lista de resultados de búsqueda y hacer clic en el enlace del video en la sección "Descripción del producto".

GRACIAS POR TU COMPRA

Apreciamos la confianza que has depositado en Home Decorators Collection al comprar este ventilador de techo. Nos esforzamos en crear continuamente productos de calidad diseñados para mejorar tu hogar. Visítanos por Internet para ver nuestra línea completa de productos disponibles con vistas a las necesidades de mejoras de tu hogar. ¡Gracias por elegir Home Decorators Collection!

Tabla de contenido

| | | | |
|-------------------------------|---|-------------------------------|----|
| Tabla de contenido | 2 | Ensamblaje..... | 7 |
| Información de seguridad..... | 2 | Funcionamiento | 15 |
| Garantía | 3 | Mantenimiento y limpieza..... | 16 |
| Preinstalación | 3 | Solución de problemas | 16 |
| Instalación..... | 6 | | |

Información de seguridad

LEE Y GUARDA ESTAS INSTRUCCIONES.

1. Para disminuir el riesgo de descarga eléctrica, asegúrate de cortar la electricidad del cortacircuitos o la caja de fusibles antes de comenzar.
2. Todo el cableado debe cumplir con el Código Nacional de Electricidad ANSI/NFPA 70 y con los códigos locales de electricidad. La instalación eléctrica debe ser hecha por un electricista certificado y calificado.
3. La caja eléctrica y estructura de soporte deben montarse de forma segura y tener capacidad para sostener de manera confiable un mínimo de 35 lb (15.9 kg). Usa solamente cajas eléctricas aprobadas por UL marcadas como “apropiada para sostener ventiladores de 15.9 kg o menos”.
4. El ventilador debe ir montado con separación mínima de 2.1 m entre el borde trasero de las aspas y el piso.
5. No muevas el interruptor de reversa mientras las aspas del ventilador estén en movimiento. Tienes que apagar el ventilador y esperar a que se detengan las aspas antes de ponerlas a girar en sentido contrario.
6. No coloques objetos en la trayectoria de las aspas.
7. Para evitar lesiones físicas o daños al ventilador y otros artículos, ten cuidado al limpiarlo o al trabajar cerca de él.
8. Los diagramas eléctricos son sólo para referencia. Los kits de luces no empaquetados con el ventilador tienen que estar aprobados por UL y marcados como apropiados para usar con el modelo de ventilador que estás instalando. Los interruptores deben estar clasificados para uso general por UL. Consulta las instrucciones adjuntas a los kits de luces e interruptores para el ensamblaje adecuado.
9. Después de concluir las conexiones eléctricas, debes voltear los conductores empalmados hacia arriba y meterlos con cuidado en la caja eléctrica. Los cables deben estar separados con el cable a tierra y el conductor a tierra del equipo a un lado de la caja eléctrica.
10. Todos los tornillos de fijación deben ser verificados y ajustados donde sea necesario antes de la instalación.



ADVERTENCIA: Para reducir el riesgo de lesiones, no dobles los soportes de las aspas (también llamados bridas) durante el ensamblaje ni después de la instalación. No coloques objetos en la trayectoria de las aspas.



ADVERTENCIA: Para disminuir el riesgo de incendio o descarga eléctrica, no utilices este ventilador con ningún dispositivo de estado sólido para control de velocidad.



ADVERTENCIA: Para evitar una posible descarga eléctrica, corta la electricidad en la caja principal de fusibles antes de instalar el cableado. Si crees que no tienes suficiente experiencia o conocimientos sobre cableado eléctrico, contrata a un electricista con licencia.



ADVERTENCIA: Los diagramas eléctricos son sólo para referencia. Cualquier juego de luces opcional deberá estar aprobado por UL y marcado como adecuado para usar con este ventilador.



ADVERTENCIA: Para disminuir el riesgo de incendio o descarga eléctrica, este ventilador sólo debe usarse con el control de velocidad (núm. de pieza MR140A) fabricado por Satellite Electric Co., Ltd.



ADVERTENCIA: A fin de reducir el riesgo de descargas eléctricas, este ventilador debe instalarse con un interruptor de aislamiento para montaje en pared.



PRECAUCIÓN: Para reducir el riesgo de lesiones personales, usa solamente los tornillos incluidos con la caja eléctrica.



PRECAUCIÓN: Los cambios o modificaciones sin previa aprobación expresa de la parte responsable de su cumplimiento podrían anular el derecho del usuario a operar el equipo.



PRECAUCIÓN: NO usar este ventilador con control de pared o interruptor regulador de intensidad. Usar un interruptor o control de pared con regulador de intensidad dañará este ventilador.

Garantía

El proveedor garantiza de por vida, a partir de la fecha de adquisición por el comprador original, que el motor del ventilador no presenta defectos de fabricación ni de materiales al momento del envío desde la fábrica. El proveedor también garantiza, por un período de dos años a partir de la fecha de adquisición por el comprador original, que todas las demás piezas del ventilador, sin incluir aspas de vidrio o acrílico, no presentarán ningún defecto de fabricación ni de material al momento del envío desde la fábrica. Acordamos reparar tales defectos sin cargo alguno o, a nuestra discreción, reemplazar el producto, si es devuelto, por un modelo de calidad igual o superior. Para obtener servicio de garantía debe presentarse una copia del recibo como comprobante de compra. Todos los costos de retiro y reinstalación del producto correrán por tu cuenta. Los daños a cualquiera de las piezas como resultado de accidentes, uso inadecuado, instalación inadecuada o instalación de cualquier accesorio, no están cubiertos por esta garantía. Debido a que las condiciones climáticas pueden variar, esta garantía no cubre ningún cambio en el acabado en bronce, incluyendo óxido, perforación, corrosión, manchas y descascaramiento. Este tipo de acabados en latón de brinda la vida útil más larga al dar protección contra condiciones climáticas cambiantes. Cierta "oscilación" es normal y no debe considerarse un defecto. Cualquier servicio prestado por personal no autorizado invalidará la garantía. No hay ninguna otra garantía expresa. Por este medio, Home Decorators Collection queda exento de todas y cada una de las garantías, incluyendo, pero sin limitarse a, aquellas de comercialización e idoneidad para determinado propósito, en el alcance permitido por la ley. La duración de cualquier garantía implícita que no pueda eximirse está limitada al período especificado en la garantía explícita. Algunos estados no permiten limitar la duración de la garantía; por consiguiente, la limitación anterior pudiera no aplicarse a su caso. El minorista no será responsable por daños directos, indirectos o especiales que resulten o deriven del uso o funcionamiento del producto, excepto en los casos estipulados por la ley. Algunos estados no permiten excluir ni limitar daños directos o indirectos, así que la limitación o exclusión anterior pudiera no aplicarse a su caso. Esta garantía otorga derechos legales específicos y es posible que usted tenga también otros derechos, que varían de un estado a otro. Esta garantía sustituye todas las garantías anteriores. Los costos de envío de cualquier devolución de productos como parte de una reclamación de garantía corren por cuenta del cliente.

Comuníquese con el equipo de servicio al cliente por el teléfono 1-800-986-3460 o visite www.HomeDepot.com/homedecorators.

Pre-instalación

ESPECIFICACIONES

| Tamaño | Velocidad | Voltios | Amperes | Watts | RPM | CFM | Peso neto | Peso bruto | Pies cúbicos |
|--------|-----------|---------|---------|-------|-----|------|-------------------------|-------------------------|------------------------|
| 1.3 m | Baja | 120 | 0.26 | 15 | 70 | 1948 | 23.15 lbs. (10.5 kg) | 26.68 lbs. (12.1 kg) | 2.33 pies ³ |
| | Media | | 0.38 | 32 | 110 | 2974 | | | |
| | Alta | | 0.56 | 67 | 165 | 4614 | | | |



NOTA: Estas medidas son aproximadas. No incluyen ni el amperaje ni el vataje consumido por el kit de luces.

HERRAMIENTAS NECESARIAS



Destornillador
Phillips



Destornillador
plano



Llave
ajustable



Cinta de
electricista



Cortacables



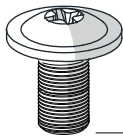
Escalera de tijera

Pre-instalación (continuación)

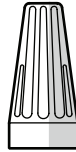
SE INCLUYEN HERRAJES



NOTA: Los herrajes no se muestran en su tamaño real.



AA



BB



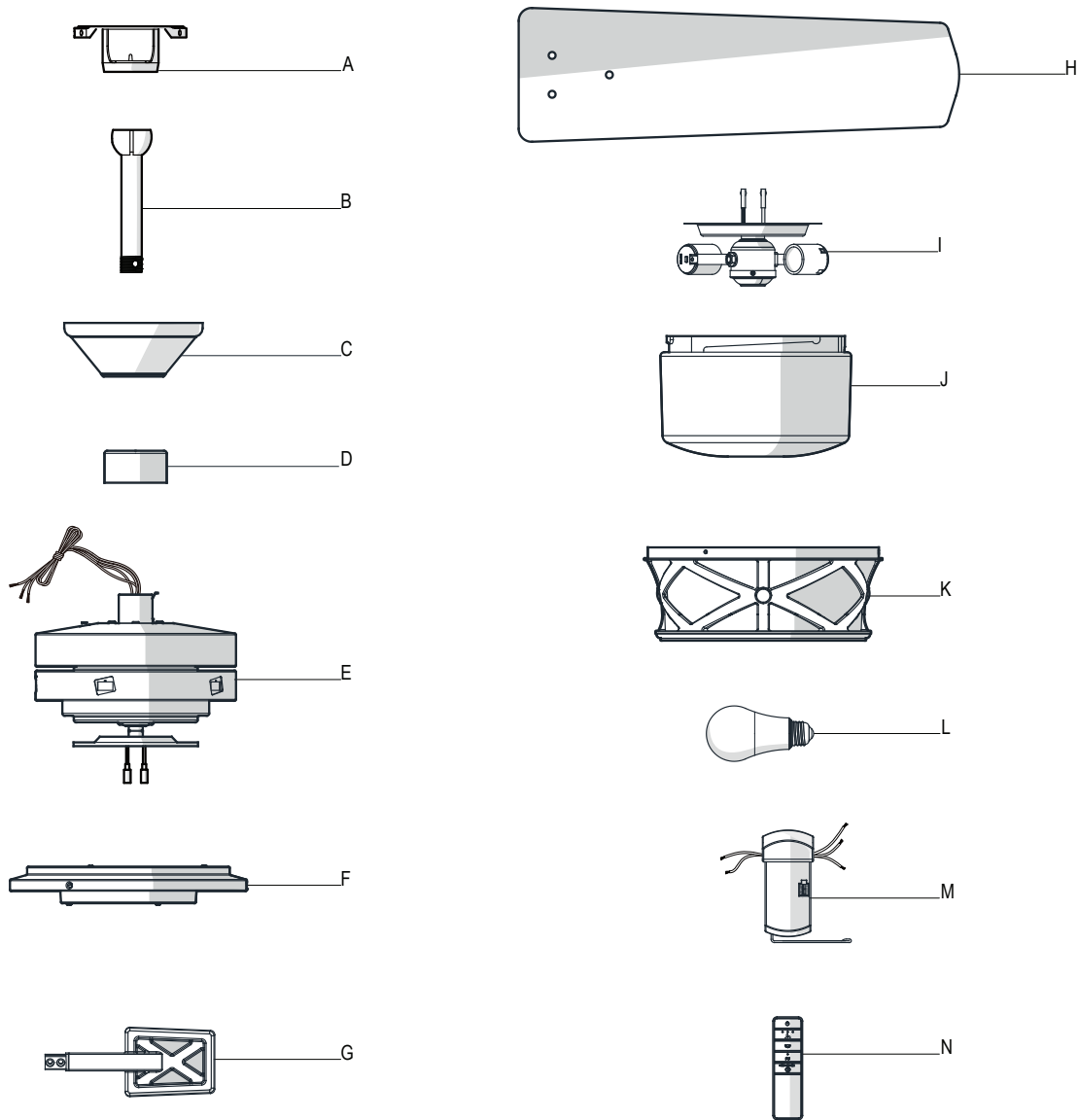
CC

| Pieza | Descripción | Cantidad |
|-------|---------------------------------|----------|
| AA | Tornillos para montaje de aspas | 16 |
| BB | Conector plástico para cables | 3 |

| Pieza | Descripción | Cantidad |
|-------|---|----------|
| CC | Herrajes para montaje de aspas (tornillo y arandela de seguridad) | 11 |

Pre-instalación (continuación)

CONTENIDO DEL PAQUETE



| Pieza | Descripción | Cantidad |
|-------|---|----------|
| A | Soporte de montaje deslizante (dentro de la cubierta) | 1 |
| B | Ensamblaje de tubo bajante/bola | 1 |
| C | Cubierta | 1 |
| D | Cubierta decorativa del collarín del motor | 1 |
| E | Ensamblaje del motor del ventilador | 1 |

| Pieza | Descripción | Cantidad |
|-------|---------------------------------------|----------|
| F | Carcasa del kit de luces | 1 |
| G | Soporte de aspa | 5 |
| H | Aspa | 5 |
| I | Conjunto del soporte del kit de luces | 1 |
| J | Tazón de vidrio | 1 |
| K | Armazón decorativo del kit de luces | 1 |
| L | Bombillas LED (de 9.5 W como máximo) | 2 |
| M | Receptor | 1 |
| N | Control remoto (incluye batería) | 1 |



IMPORTANTE: Este producto y/o sus componentes están protegidos por una o más de las siguientes patentes de los EE. UU.: 5,947,436; 5,988,580; 6,010,110; 6,046,416; 6,210,117, así como por otras patentes pendientes.

Instalación

OPCIONES DE MONTAJE

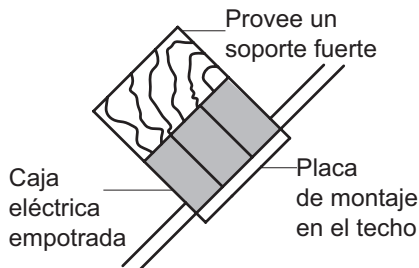
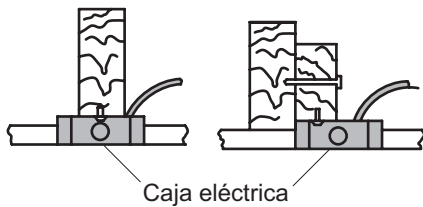
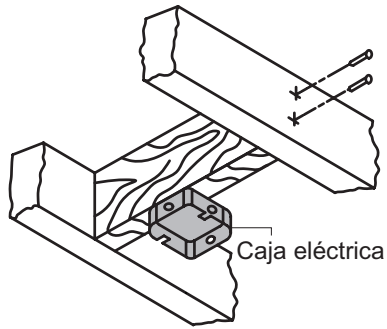


ADVERTENCIA: Para reducir el riesgo de incendio, descarga eléctrica o lesiones personales, instala en una caja eléctrica clasificada como "apropiada para sostener ventiladores de 35 lb (15.9 kg) o menos" y usa los tornillos que vienen con ella. Las cajas eléctricas utilizadas comúnmente para el soporte de lámparas pueden no servir como soporte de ventilador y tal vez deban reemplazarse. En caso de duda, consulta a un electricista calificado.

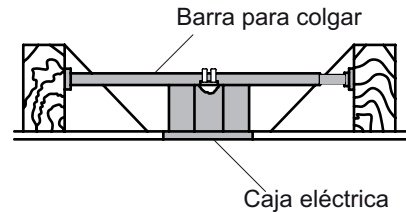
Si tu ventilador de techo no tiene una caja de montaje aprobada por UL, instala una siguiendo las instrucciones a continuación:

- ❑ Desconecta la energía retirando los fusibles o apagando los cortacircuitos.
- ❑ Asegura la caja eléctrica directamente a la estructura de la edificación. Usa sujetadores y materiales apropiados. La caja eléctrica y su soporte deben poder sostener el peso completo del ventilador en movimiento (al menos 15.9 kg). No uses una caja eléctrica de plástico.

Las ilustraciones a continuación muestran tres formas distintas de montar la caja eléctrica.



NOTA: Tal vez necesites un tubo bajante más largo para mantener la altura mínima adecuada de las aspas al instalar el ventilador en un techo muy inclinado. El ángulo máximo permitido es 30° con respecto a la horizontal.



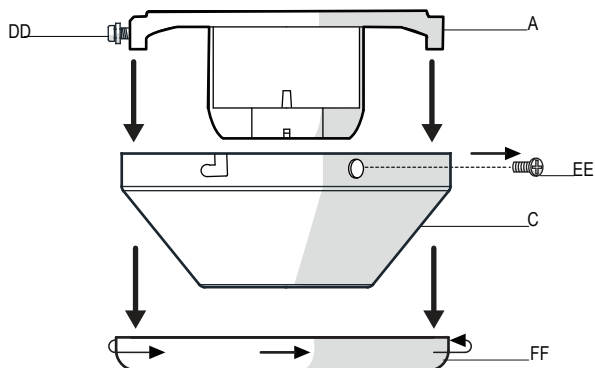
Si la cubierta (C) toca el conjunto del tubo bajante/bola (B), retira la tapa inferior decorativa de la cubierta y gira 180° esta última (C) antes de fijarla a la placa de montaje.

Para colgar el ventilador donde ya haya una lámpara pero ninguna viga de techo, tal vez necesites una barra colgante como se muestra más arriba (disponible en cualquier tienda de The Home Depot).

Ensamblaje - Montaje estándar en techo

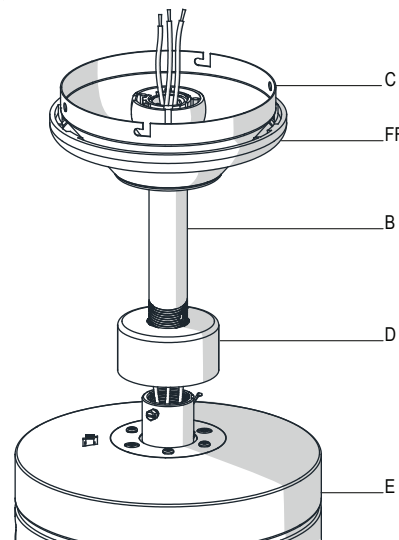
1 Preparación para un montaje estándar

- Retira el aro de cubierta (FF) de la cubierta (C), girándolo en sentido contrario a las manecillas del reloj hasta soltarlo.
- Retira el soporte de montaje (A) de la cubierta (C) aflojando los dos tornillos de la cubierta (DD) ubicados en las ranuras en forma de "L".
- Quita y guarda los dos tornillos de la cubierta (EE) en los orificios redondos. Esto te permitirá retirar el soporte de montaje (A).



2 Disposición de los cables

- Inserta los cables que salen por la parte superior del ensamblaje del motor del ventilador (E) a través del anillo de la cubierta (FF).
- Inserta el tubo bajante/bola (B) a través de la cubierta (C) y desliza la cubierta decorativa del collarín del motor (D) en el extremo del tubo bajante/bola (B). Asegúrate de que las ranuras de la cubierta (C) estén en la parte superior.
- Inserta los cables que salen por la parte superior del ensamblaje del motor del ventilador (E) a través del tubo bajante, como se muestra.



3 Cómo ensamblar el ventilador

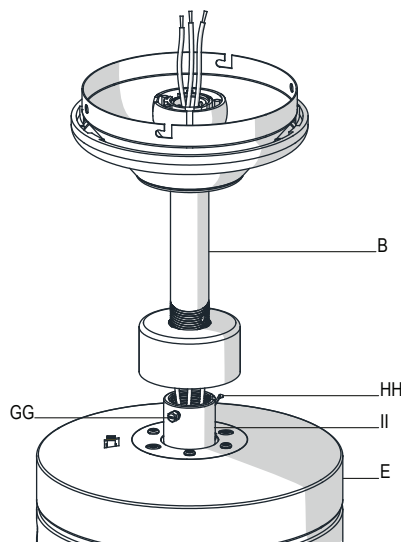


PRECAUCIÓN: Para asegurar el funcionamiento sin oscilación y evitar daños al ventilador, el tubo bajante (B) y el tornillo de fijación (GG) tienen que quedar completamente ajustados.



NOTA: Este ventilador está equipado con una pestaña de seguridad (HH). Si el tornillo de fijación (GG) se afloja mientras el ventilador está funcionando en reversa, la pestaña de seguridad (HH) se enganchará y evitará que el ventilador se caiga.

- Afloja, pero no retires, el tornillo de fijación (GG) del collarín (II) en la parte superior del ensamblaje del motor-ventilador (E).
- Instala el tubo bajante (B) insertándolo en el collarín del motor (II) y girándolo en el sentido de las manecillas del reloj hasta que quede fijo.
- Vuelve a apretar los tornillos de fijación (GG) del collarín (II) en la parte superior del ensamblaje del motor del ventilador (E).



Ensamblaje - Cómo colgar el ventilador

1 Cómo fijar el ventilador a la caja eléctrica

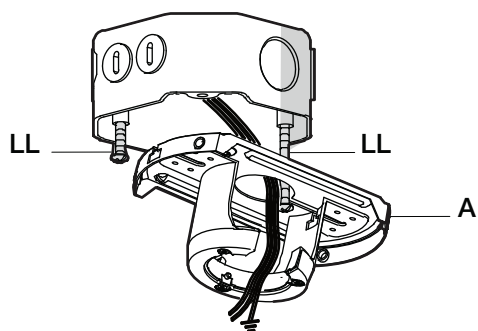


ADVERTENCIA: Para reducir el riesgo de incendio, descarga eléctrica o lesiones personales, instala sólo en una caja eléctrica o sistema de soporte marcado como "apropiado para sostener ventiladores de 35 lb (15.9kg) o menos", y usa sólo los tornillos de montaje incluidos con la caja eléctrica.



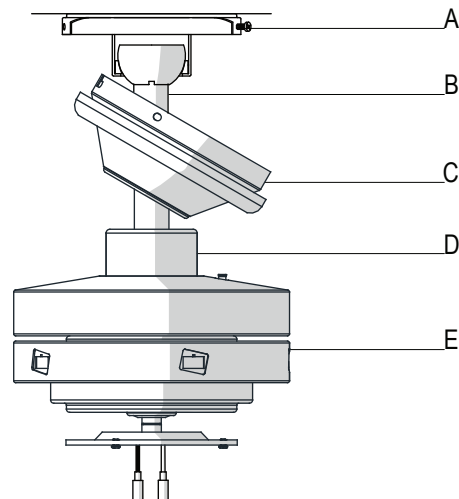
NOTA: El soporte de montaje (A) está diseñado para deslizarse en su lugar sobre una caja eléctrica con sus tornillos (LL).

- Pasa los cables de suministro de 120 V a través del orificio central en el soporte de montaje deslizante (A).
- Instala el soporte de montaje de techo deslizante (A) sobre la caja eléctrica deslizando aquel soporte (A) sobre los dos tornillos (LL) incluidos con la caja eléctrica. Si es necesario, usa arandelas niveladoras (no se incluyen) entre el soporte de montaje deslizante (A) y la caja eléctrica. Fíjate que el lado plano del soporte de montaje deslizante (A) esté hacia la caja eléctrica.
- Ajusta firmemente los dos tornillos de montaje (LL).



2 Cómo colgar el ventilador

- Con cuidado, levanta el conjunto del motor del ventilador (E) hasta el soporte de montaje deslizante (A).
- Coloca la bola de soporte del ensamblaje del tubo bajante/bola (B) en el soporte de montaje. Asegúrate de que la pestaña en el casquillo del soporte de montaje deslizante (A) encaje bien dentro de la ranura de la bola de soporte.



Ensamblaje - Cómo colgar el ventilador (continuación)

3 Configurar el código del control remoto y el receptor



NOTA: Las frecuencias del receptor y de la unidad de mano están preconfiguradas de fábrica. Antes de instalar el receptor, asegure que los interruptores en línea del receptor y de la unidad de mano estén configurados en la misma frecuencia. Los interruptores en línea de la unidad de mano están ubicados dentro del compartimiento de la batería.

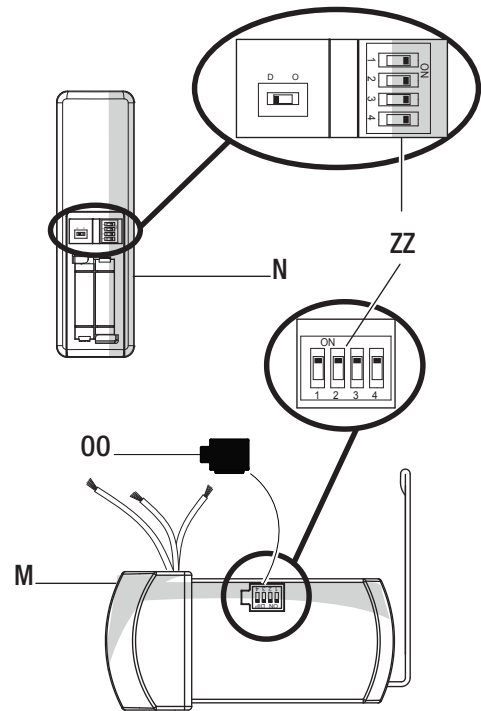


NOTA: El interruptor marcado con O/D (encendido/regulación) controla la función de regulación de intensidad de la luz. Usa un bolígrafo de punta redonda o un destornillador pequeño para configurar el interruptor en la posición O y desactivar la función de regulación de intensidad. El valor predeterminado de fábrica es D.



NOTA: La batería se debilitará con el tiempo y deberá ser reemplazada antes de que se produzca alguna fuga, ya que esto dañará la unidad de mano. Desecha la batería adecuadamente y manténela fuera del alcance de los niños.

- ❑ Quita la cubierta de la batería del control remoto (N) presionando con firmeza en la flecha y deslizando la cubierta hasta soltarla.
- ❑ Desliza los interruptores en línea (ZZ) a tu elección hacia arriba o abajo. La configuración de fábrica es hacia arriba.
- ❑ Desliza los interruptores en línea (ZZ) sobre el receptor (M) hacia la misma posición fijada para el control remoto (N).
- ❑ Instala 2 baterías AAA de 1.5 V (incluidas).
- ❑ Coloca de nuevo la cubierta en el control remoto (N).
- ❑ Inserta el tapón de goma de silicona (OO) en el orificio del receptor (M) para cubrir los interruptores en línea.



4 Cómo instalar el receptor



ADVERTENCIA: Para reducir el riesgo de incendio o de descarga eléctrica, recuerda desconectar la electricidad. El cableado eléctrico debe cumplir todos los requisitos de códigos eléctricos nacionales y locales. La fuente de energía y el ventilador tienen que ser de 110/120 V y 60 Hz. No utilices este producto con ningún control de pared variable. Conectar el cableado de manera incorrecta dañará este receptor.

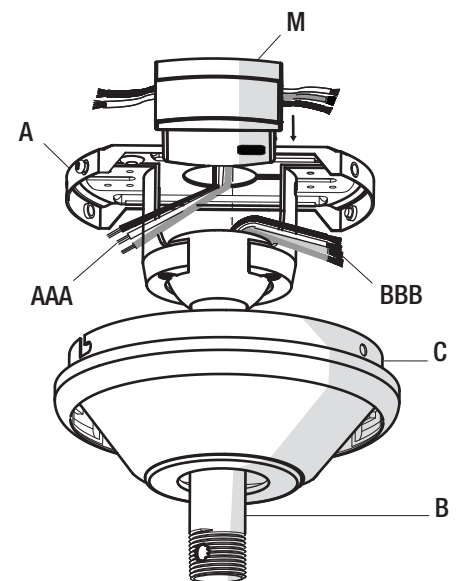
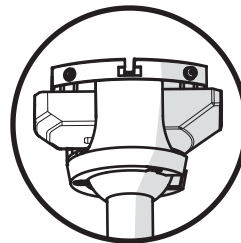


PRECAUCIÓN: Si otros cables del ventilador son de color diferente, un electricista certificado deberá instalar esta unidad.



PRECAUCIÓN: No instales el receptor en lugares húmedos ni lo sumerjas en agua (sólo para uso en interiores). No hales ni recortes los cables terminales del receptor. No dejes caer ni golpees la unidad.

- ❑ Ubica los cables de suministro doméstico (AAA) a un lado del soporte de montaje deslizante (A) y coloca los cables del ventilador (BBB) en el lado opuesto.
- ❑ Inserta el extremo angosto del receptor (como se muestra: el lado plano hacia el techo) en el soporte de montaje deslizante hasta quedar apoyado en la parte superior del ensamblaje del tubo bajante/esfera.



Ensamblaje - Cómo colgar el ventilador (continuación)

5 Cómo conectar los cables del receptor a los cables del hogar



ADVERTENCIA: Para evitar una posible descarga eléctrica, corta la electricidad en la caja principal de fusibles antes del cableado. Si crees que no tienes suficiente conocimiento o experiencia sobre cableado eléctrico, contacta a un electricista certificado.

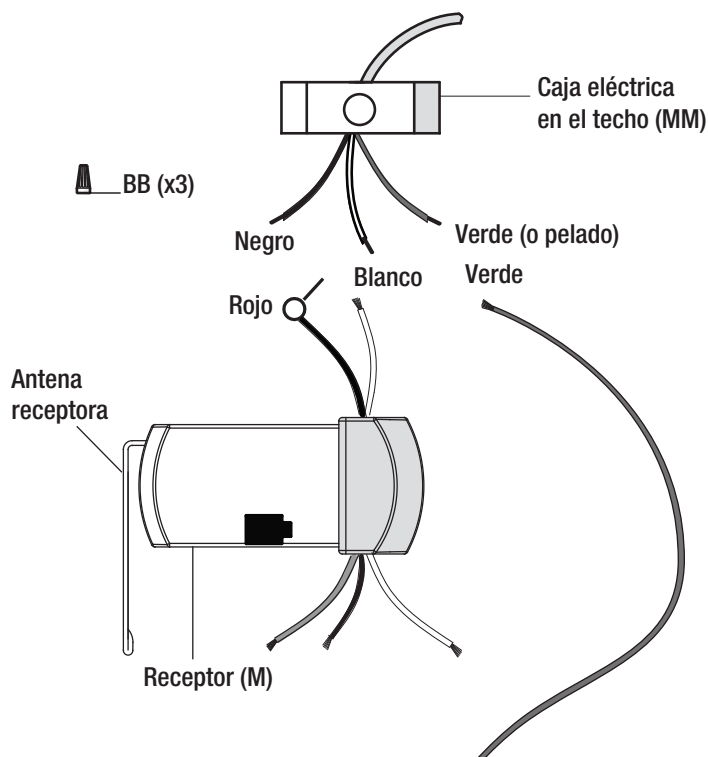


ADVERTENCIA: Cada tuerca para cable suministrada con este ventilador está diseñada para aceptar hasta un cable doméstico de calibre 12 y dos cables del ventilador. Si tienes un cableado doméstico que exceda del calibre 12 o más de un cable doméstico para conectar al cableado del ventilador, consulta a un electricista para el tamaño adecuado de las tuercas para cables a usar.



IMPORTANTE: Usa las tuercas de conexión de cables (BB) incluidas con tu ventilador. Sujeta los conectores con cinta de electricista y asegura que no haya conexiones ni cables sueltos.

- Separa los cables de manera que el verde y el blanco queden de un lado de la caja eléctrica y el negro quede del otro lado.
- Conecta los cables verdes del ventilador al cable con conexión a tierra de la casa (este puede ser verde o pelado) con una tuerca de conexión de cables (BB).
- Conecta el cable rojo del receptor (M) al cable negro del hogar (positivo), usando una tuerca de conexión de cables (BB).
- Conecta el cable blanco del receptor (M) al cable blanco del hogar (neutro), usando una tuerca de conexión de cables (BB).
- Asegura cada tuerca de conexión de cables con cinta de electricista.



6 Cómo conectar los cables del ventilador al receptor



IMPORTANTE: Usa las tuercas de conexión de cables (BB) incluidas con tu ventilador. Sujeta los conectores con cinta de electricista y asegura que no haya conexiones ni cables sueltos.

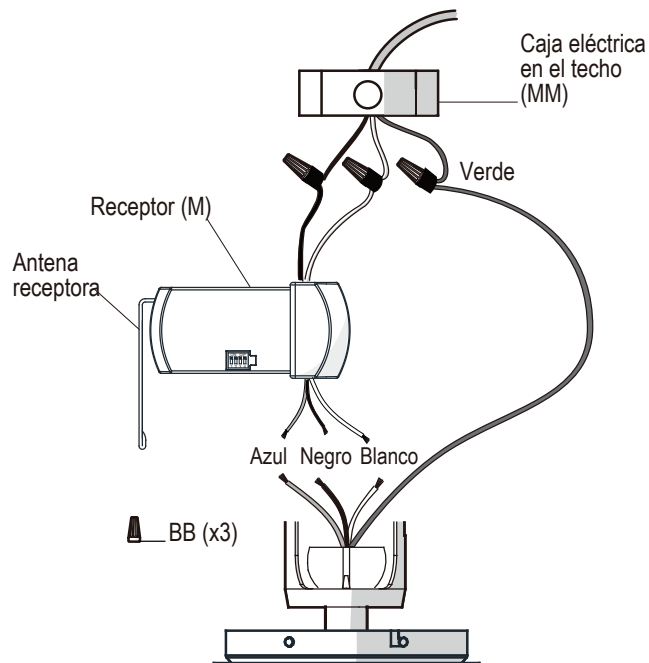


IMPORTANTE: Si luego de este paso decides comprobar si las conexiones se establecieron exitosamente, es fundamental instalar el kit de luces usando el conector rápido antes de proceder a la comprobación. El ventilador funcionará sólo si el kit de luces está conectado al ventilador.



NOTA: El ventilador viene con cables terminales de 1.37 m para usar con un ensamblaje extendido de tubo bajante/bola. Si usas el ensamblaje de tubo bajante/bola (B) de 15.2 cm (6 plg) incluido, puedes recortar los cables terminales al largo deseado [no menos de 34.3 cm (13.5 plg)].

- El ventilador viene con cables terminales de 1.37 m para usar con un ensamblaje extendido de tubo bajante/bola. Si usas el ensamblaje de tubo bajante/bola (B) de 15.2 cm (6 plg) incluido, puedes recortar los cables terminales al largo deseado [no menos de 34.3 cm (13.5 plg)]. Esto dejará más espacio en la cubierta (C). Si no quieres cortar los cables, deberás enrollarlos cuidadosamente.
- Conecta el cable blanco del motor del ventilador al cable blanco del receptor usando una tuerca de conexión de cables (BB).
- Conecta el cable negro del motor del ventilador al cable negro del receptor usando una tuerca de conexión de cables (BB).
- Conecta el cable azul del motor del ventilador al cable azul del receptor usando una tuerca de conexión de cables (BB).
- Asegura cada tuerca de conexión de cables con cinta de electricista.
- Gira la tuerca de conexión de cables (BB) hacia arriba y coloca el cableado dentro de la caja eléctrica (MM).



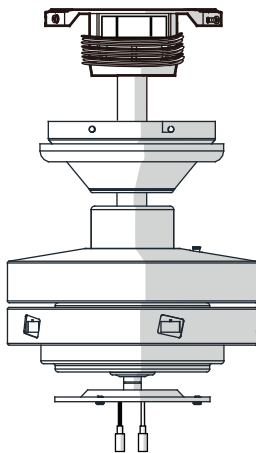
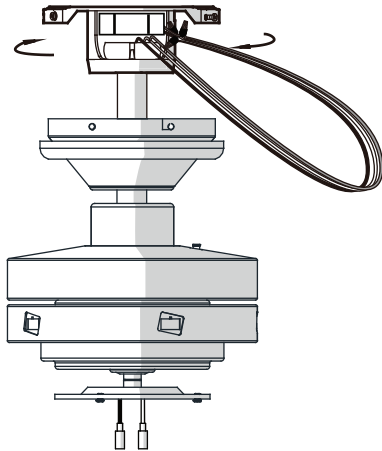
Ensamblaje - Cómo colgar el ventilador (continuación)

7 Cómo enroscar el cable sobrante



NOTA: Sigue estos pasos **SOLAMENTE** si no cortaste el cable sobrante del ventilador de techo hacia el receptor.

- Con cuidado, enroscar el exceso de cable alrededor del soporte de montaje debajo del receptor.
- Asegura con cinta de electricista.



8 Cómo montar el ensamblaje del motor del ventilador (montaje estándar)

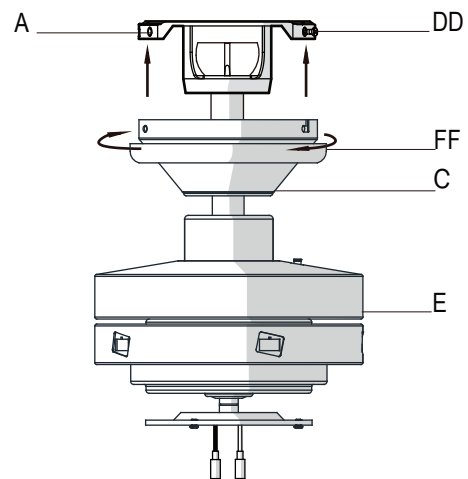


ADVERTENCIA: Cuando uses el montaje estándar del tubo bajante/bola, la pestaña en el aro en la parte inferior del soporte de montaje tiene que encajar en la ranura de la bola de soporte. Si la pestaña no se asienta correctamente en la ranura, se puede dañar el cableado.



ADVERTENCIA: Las ranuras de cierre de la cubierta del techo sólo sirven de ayuda durante la instalación. No dejes sin supervisión el ensamblaje del ventilador hasta que los cuatro tornillos de la cubierta estén fijos y firmemente apretados.

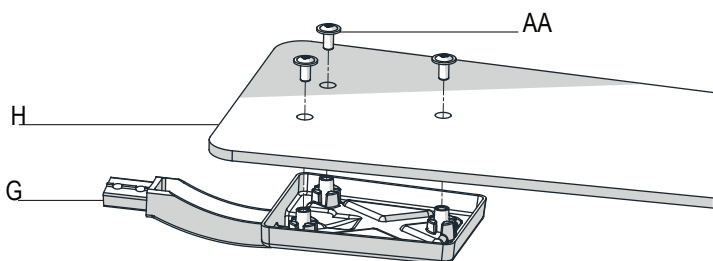
- Alinea las ranuras de cierre de la cubierta de techo (C) con los dos tornillos (DD) en el soporte de montaje (A). Alza para enganchar las ranuras y gira de izquierda a derecha para asegurarla en su lugar.
- Ajusta firmemente los dos tornillos de montaje (DD).
- Instala los dos tornillos de montaje (guardados en el paso 1 del ensamblaje, "Cómo preparar la instalación") en los orificios de la cubierta (C) y aprieta firmemente.
- Instala el aro (FF) de la cubierta decorativa alineando las ranuras del aro con los tornillos en la cubierta (C). Gira el aro en el sentido de las manecillas del reloj para fijarlo en su lugar.



Ensamblaje – Cómo montar las aspas

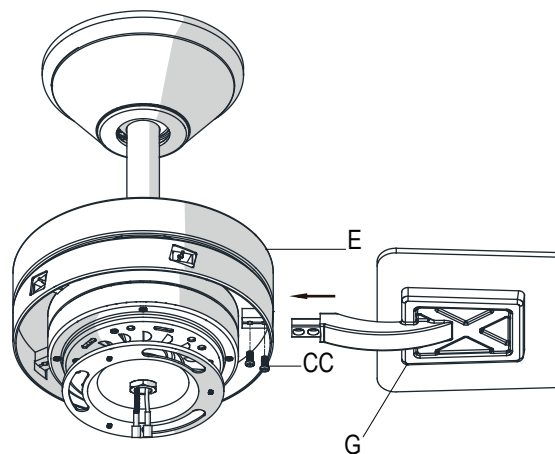
1 Cómo conectar las aspas a sus soportes

- Monta un aspa (H) en el soporte correspondiente (G) insertando los tornillos (AA) en los orificios del aspa y a través de su soporte (G).
- Aprieta firmemente todos los tornillos.
- Repite este paso para cada aspa y soporte.



2 Cómo fijar los ensamblajes de las aspas al motor

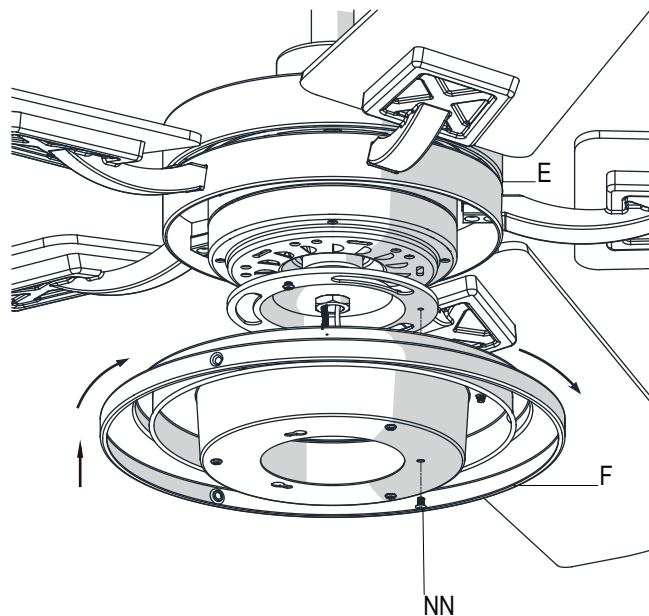
- Inserta el conjunto aspa / soporte a través del orificio al lado del volante central del ensamblaje motor-ventilador (E). Alinea los dos orificios de tornillo en el soporte del aspa con los orificios del volante central y asegura con los tornillos (CC).



Ensamblaje - Cómo montar las lámparas

1 Cómo instalar la carcasa del kit de luces

- Quita un tornillo (NN) del soporte negro bajo el ensamblaje del motor del ventilador (E) y afloja, pero sin quitarlos, los otros dos tornillos.
- Empuja la carcasa del kit de luces (F) hacia el ensamblaje del motor (E), de manera que los dos tornillos aflojados encajen en los orificios tipo ojo de cerradura. Gira la carcasa del kit de luces (F) en el sentido de las manecillas del reloj.
- Reinstala el tornillo (NN) que retiraste en el paso 1.
- Asegúrate de que todos los tornillos están firmemente apretados.



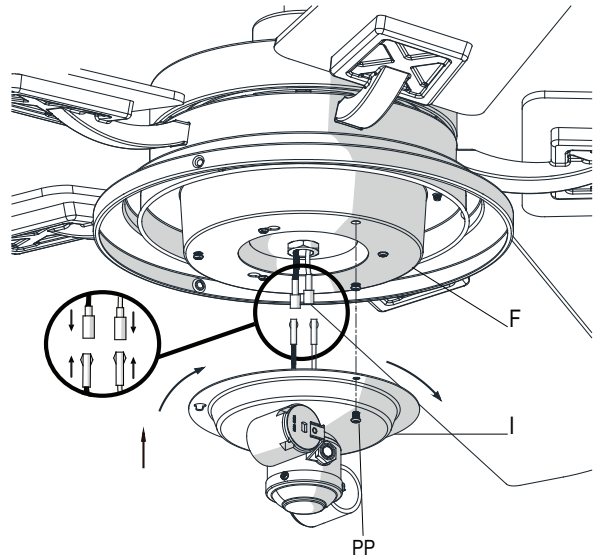
Ensamblaje - Cómo montar las lámparas (continuación)

2 Cómo instalar el ensamblaje del soporte del kit de luces



PRECAUCIÓN: Para reducir el riesgo de descarga eléctrica, desconecta el circuito eléctrico del ventilador antes de instalar la lámpara.

- ❑ Quita un tornillo (PP) del orificio redondo de la carcasa del kit de luces y afloja los otros dos tornillos, pero sin quitarlos.
- ❑ Conecta el cable azul que sobresale por debajo del conjunto motor- ventilador (E) con el cable negro de la parte superior del ensamblaje del soporte del kit de luces (I).
- ❑ Conecta el cable blanco que sobresale por debajo del conjunto del motor-ventilador (E) con el cable blanco de la parte superior del ensamblaje del soporte del kit de luces (I).
- ❑ Empuja el ensamblaje del soporte del kit de luces (I) hacia la carcasa del kit de luces, de manera que los dos tornillos aflojados encajen en las ranuras tipo ojo de cerradura. Gira el conjunto del soporte del kit de luces (I) en el sentido de las manecillas del reloj para asegurarlo.
- ❑ Reinstala el tornillo (PP) que se quitó en el paso 1.
- ❑ Asegúrate de que todos los tornillos están firmemente apretados.



3 Cómo instalar las bombillas y el tazón de vidrio

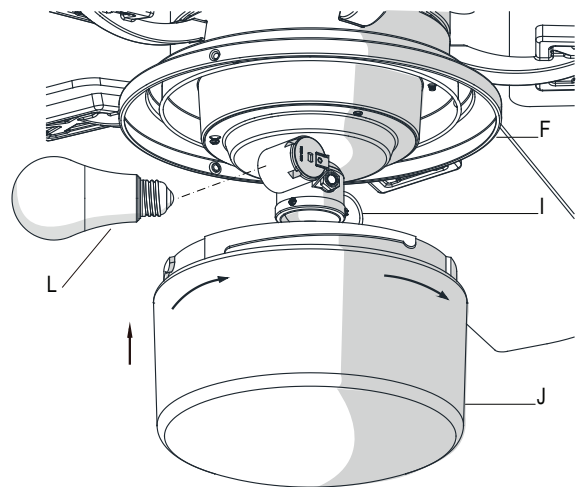


PRECAUCIÓN: Asegúrate de que la corriente está cortada antes de montar o retirar el tazón de vidrio.



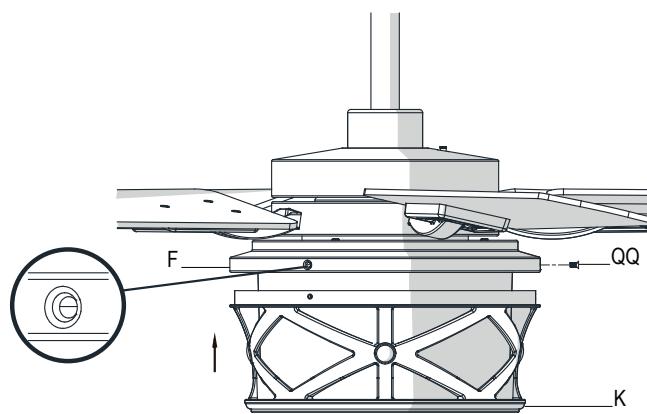
ADVERTENCIA: Espera que el tazón de vidrio se enfríe completamente antes de retirarlo.

- ❑ Con el ventilador apagado, instala las dos bombillas LED (L) de 9.5 W como máximo (incluidas) enrosquándolas en los portabombillas.
- ❑ Coloca la pantalla (J) en la carcasa del kit de luces (E), alineando las tres áreas planas en el reborde superior de la pantalla (J) con las tres muescas salientes de la carcasa del kit de luces.
- ❑ Gira el tazón en el sentido de las manecillas del reloj hasta que se detenga.



4 Cómo instalar el armazón decorativo del kit de luces del kit de luces

- Retira tres tornillos (QQ) de lado de la carcasa del kit de luces (F) y guárdalos para usarlos más adelante.
- Alza el armazón decorativo del kit de luces (K) hasta la carcasa. Asegúrate de que los orificios del armazón decorativo del kit de luces queden alineados con aquellos de la carcasa.
- Vuelve a instalar los tres tornillos (QQ) retirados en el primer paso y apriétalos bien.



Cómo usar tu ventilador y control remoto

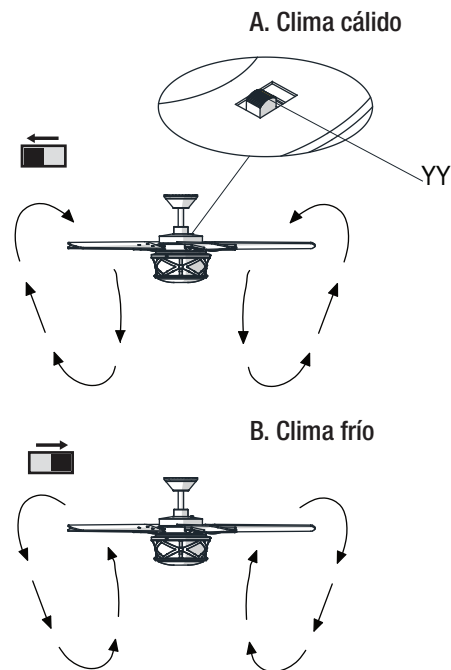
Control remoto: Tu ventilador está equipado con un control remoto que controla la velocidad y las luces de tu ventilador de techo.

Las configuraciones de velocidad para clima cálido o frío dependen del tamaño de la habitación, la altura del techo, la cantidad de ventiladores y otros factores.

El ventilador se envía desde la fábrica con el interruptor de reversa (YY) colocado para hacer circular el aire hacia abajo. Si deseas dirigir la corriente de aire en la dirección contraria, apaga el ventilador y espera que las aspas se detengan. Desliza el interruptor de reversa (ubicado sobre la carcasa del motor) hacia la dirección opuesta y vuelve a encender el ventilador. Las aspas del ventilador girarán en sentido contrario y cambiarán la dirección de la corriente de aire.

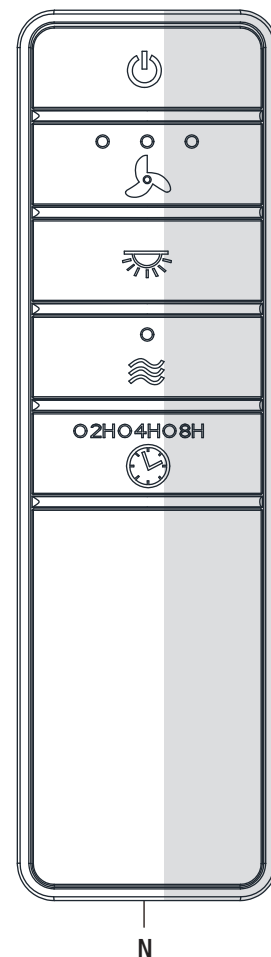
Clima cálido: (Hacia adelante) Un flujo de aire descendente surte un efecto refrescante. Esto te permite fijar tu aire acondicionado en una configuración más alta sin afectar tu comodidad.

Clima frío: (Reversa) Un flujo de aire ascendente desplaza el aire cálido del techo. Esto te permite fijar tu unidad de calefacción en una configuración más baja sin afectar tu comodidad.



Cómo usar tu ventilador y control remoto

- Encendido y apagado (ON/OFF):** Presiona y suelta el botón para encender o apagar el ventilador y luz.
 - Mantén presionado el botón durante 5 segundos para usar el “temporizador inmediato”; esto encenderá las luces durante 30 segundos (las luces se encenderán al 50% de su brillo).
- Velocidad del ventilador:** Los LEDs en el botón de velocidad del ventilador indicarán la velocidad correspondiente.
 - Oprime y suelta 1 vez - para encender el ventilador a velocidad alta.
 - Oprime y suelta 2 veces - para encender el ventilador a velocidad media.
 - Oprime y suelta 3 veces - para encender el ventilador a velocidad baja.
 - Oprime y suelta 4 veces - para apagar el ventilador.
- Encendido y apagado de luces (ON/OFF)**
 - Oprime y suelta el botón para encender o apagar la luz.
 - Si utilizas bombillas regulables y NO configuraste previamente el interruptor O/D del control remoto en la posición “ON”, mantén presionado el botón para activar la función de regulación de intensidad luminosa.
- Comfort Breeze™**
 - Presiona y suelta el botón para activar el modo Comfort Breeze™. Así cambiará la velocidad del ventilador al azar, simulando una brisa relajante. Para cancelar esta función, oprime o .
- Temporizador**
 - Con el ventilador encendido, oprime 1 vez - para activar el temporizador con 2 horas de funcionamiento.
 - Con el ventilador encendido, oprime 2 veces - para activar el temporizador con 4 horas de funcionamiento.
 - Con el ventilador encendido, oprime 3 veces - para activar el temporizador con 8 horas de funcionamiento.



Cuidado y limpieza



ADVERTENCIA: Asegúrate de que la electricidad esté desconectada antes de limpiar tu ventilador.

- Por causa del movimiento natural del ventilador, algunas conexiones pueden aflojarse. Revisa dos veces al año las conexiones de soporte, los soportes y los accesorios de las aspas. Verifica que estén seguros. No es necesario desmontar el ventilador del techo.
- Limpia el ventilador con frecuencia para que luzca como nuevo al paso de los años. No uses agua al limpiar. Esto puede dañar el motor o la madera e incluso es posible que provoque descarga eléctrica. Usa sólo un cepillo suave o un paño sin pelusas para evitar arañar el acabado. El revestimiento está sellado con laca para minimizar la decoloración u opacidad.
- Puedes aplicar a la madera una fina capa de pulimento para muebles y asegurar así mayor protección y superior belleza. Cubre los arañazos pequeños con una leve aplicación de lustrador para calzado.
- No necesitas lubricar el ventilador. El motor tiene cojinetes de bola sellados y permanentemente lubricados.

Solución de problemas

| Problema | Solución |
|----------------------------|--|
| El ventilador no enciende. | <ul style="list-style-type: none"><input type="checkbox"/> Verifica los fusibles o cortacircuitos principales y secundarios.<input type="checkbox"/> Asegúrate de que el interruptor de pared esté en posición de encendido (ON), si corresponde.<input type="checkbox"/> Verifica las conexiones de cables en línea al ventilador y de cables del interruptor en la caja de interruptores.<input type="checkbox"/> Revisa la batería del transmisor.<input type="checkbox"/> Asegúrate de estar en el rango normal de 3 a 6 metros.<input type="checkbox"/> Asegúrate de que las configuraciones del interruptor en línea sean las mismas para el transmisor y el receptor.<input type="checkbox"/> Recuerda desconectar la electricidad antes de verificar las configuraciones de los interruptores en línea. |
| El ventilador hace ruido. | <ul style="list-style-type: none"><input type="checkbox"/> Asegúrate de que todos los tornillos de la carcasa del motor estén ajustados.<input type="checkbox"/> Asegúrate de que los tornillos que unen el soporte de aspa al cuerpo del motor estén bien apretados.<input type="checkbox"/> Asegúrate de que las conexiones de tuerca de cable no choquen unas con otras ni con la pared interior de la caja del interruptor.<input type="checkbox"/> Espera que transcurra un período de “adaptación” de 24 horas. La mayoría de los ruidos asociados con un ventilador nuevo desaparecen en ese período.<input type="checkbox"/> Si usas el kit de luces de ventilador de techo, asegúrate de que los tornillos que sujetan el vidrio estén bien colocados. Verifica que las bombillas estén bien aseguradas.<input type="checkbox"/> Asegúrate de que la cubierta esté a corta distancia del techo. No debe tocar el techo.<input type="checkbox"/> Asegura que la caja eléctrica esté bien ajustada y que las almohadillas aislantes de goma se hayan instalado entre la placa de montaje y la caja eléctrica. |
| El ventilador oscila. | <ul style="list-style-type: none"><input type="checkbox"/> Verifica que todas las aspas y los tornillos de sus brazos estén bien ajustados.<input type="checkbox"/> La mayoría de los problemas de oscilación del ventilador se deben a que las aspas no están al mismo nivel. Verifica este nivel seleccionando un punto en el techo sobre la punta de una de las aspas. Mide desde un punto en el centro de cada aspa al punto en el techo. Gira el ventilador hasta que la próxima aspa quede posicionada para medir. Repite el procedimiento para cada aspa. Las desviaciones de la medición deben estar dentro de 0.3 cm. Deja que el ventilador funcione durante diez minutos. Si el ventilador continúa oscilando, comunícate con el servicio al cliente y te enviarán un kit de compensación de aspas, sin costo alguno. |

Este equipo ha sido comprobado y se determinó que cumple con los límites establecidos para un dispositivo digital Clase B, de acuerdo con la Parte 15 de las Normas de la FCC. Estos límites fueron establecidos para ofrecer protección razonable contra la interferencia dañina durante uso residencial. Este equipo genera, usa y puede irradiar energía de radiofrecuencia; si no se instala y usa de acuerdo con las instrucciones, puede causar interferencia dañina a comunicaciones radiales. Sin embargo, no hay garantía de que no ocurrirá interferencia en una instalación particular. Si este equipo causa interferencia que perjudica la recepción de radio o televisión, lo cual puede determinarse encendiendo y apagando el equipo, se recomienda al usuario que trate de corregir la interferencia con una o más de las siguientes medidas:

- reorientar o reubicar la antena receptora.
- incrementar la distancia entre los equipos y el receptor.
- conectar el equipo a un tomacorriente en un circuito distinto al que el receptor está conectado.
- consultar al distribuidor o algún técnico de radio/TV con experiencia.

PRECAUCIÓN:

Los cambios o modificaciones sin aprobación expresa del responsable de este dispositivo podrían anular el derecho del usuario a operar el equipo.

Este dispositivo cumple con la Parte 15 de las Normas de FCC. Su operación está sujeta a las dos condiciones siguientes: (1) Este dispositivo no debe causar interferencia dañina, y (2) tiene que aceptar cualquier interferencia recibida, incluyendo aquella que pudiera afectar su funcionamiento.

HOME DECORATORS COLLECTION

¿Preguntas, problemas o piezas perdidas? Antes de devolver a la tienda,
llama al Servicio al Cliente de Home Depot,
de lunes a viernes, entre 8:00 a.m. y 7:00 p.m. (Hora Estándar del Este),
y los sábados de 9:00 a.m. a 6:00
p.m. (Hora Estándar del Este).

1-800-986-3460

HOMEDEPOT.COM/HOMEDECORATORS

Conserva este manual para uso futuro.