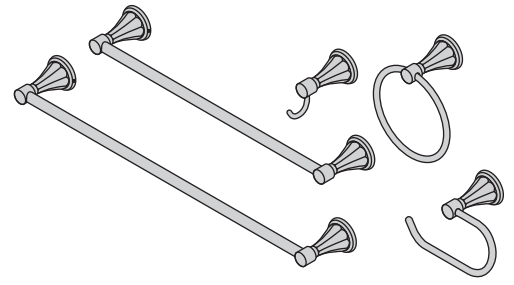




453RH, 453TB-18, 453TB-24, 453TP, 453TR  
 Canterbury™ Accessories  
 Operation & Maintenance Manual



Model Numbers	Specifications
<input type="checkbox"/> <b>453RH</b> <i>Robe Hook</i>  <input type="checkbox"/> <b>453TB-18</b> <i>18" Towel Bar</i>  <input type="checkbox"/> <b>453TB-24</b> <i>24" Towel Bar</i>  <input type="checkbox"/> <b>453TP</b> <i>Toilet Paper Holder</i>  <input type="checkbox"/> <b>453TR</b> <i>Towel Ring</i>	<p>All premium accessories made from brass plated in standard polished chrome finish.</p>
Modifications	Warranty
<input type="checkbox"/> <b>-STN</b> <i>Satin nickel finish</i>	<p><b>Limited Lifetime</b> - to the original end purchaser in consumer installations.  <b>5 Years</b> - for commercial installations.</p> <p>Refer to <a href="http://www.symmons.com/warranty">www.symmons.com/warranty</a> for complete warranty information.</p>

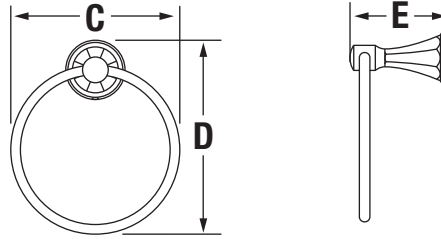
**Note:** Append appropriate -suffix to model number.

## Dimensions

### 453RH



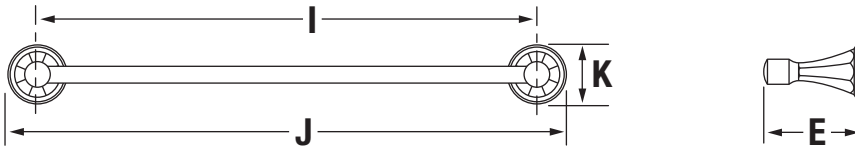
### 453TR



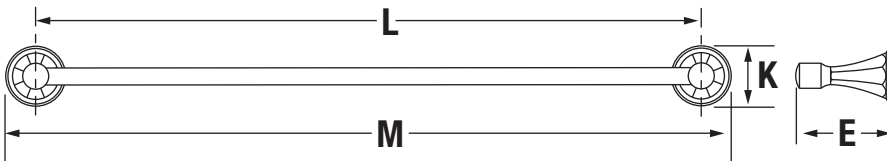
### 453TP



### 453TB-18



### 453TB-24



### Measurements

A	Ø 2 1/8", 54 mm
B	4 5/8", 117 mm
C	6", 152 mm
D	6 15/16", 176 mm
E	3 9/16", 90 mm
F	6 7/8", 175 mm
G	4 3/16", 106 mm
H	3 7/8", 98 mm
I	18", 457 mm
J	20 1/8", 511 mm
K	2 1/8", 54 mm
L	24", 610 mm
M	26 1/8", 664 mm

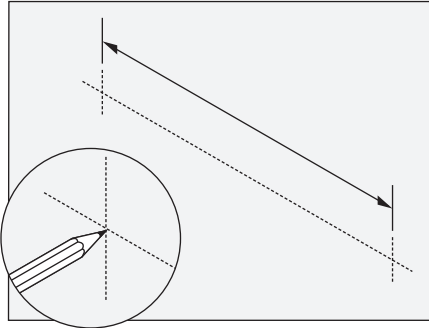
### Required for Installation

Phillips head screwdriver	
Flat head screwdriver	
Power Drill	

**Note:** Dimensions are subject to change without notice.

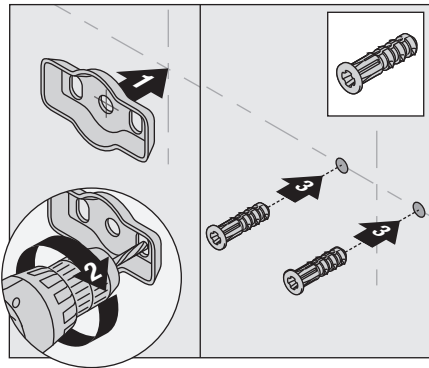
## Installation

- 1) For 453TB- and 453TB-24, measure and mark centerlines for mounting bracket installation using dimensions on page 2.

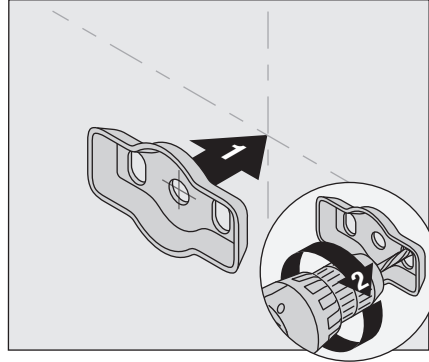


**Notes:** Make sure both centerline marks are level. For 453RH, 453TR and 453TP go to step 6a.

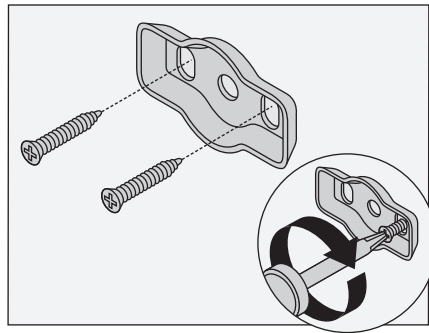
- 2a) **Dry Wall Option:** Place mounting brackets into desired position. Using brackets as a guide, carefully drill 3/16" holes into wall and insert wall anchors into drill holes.



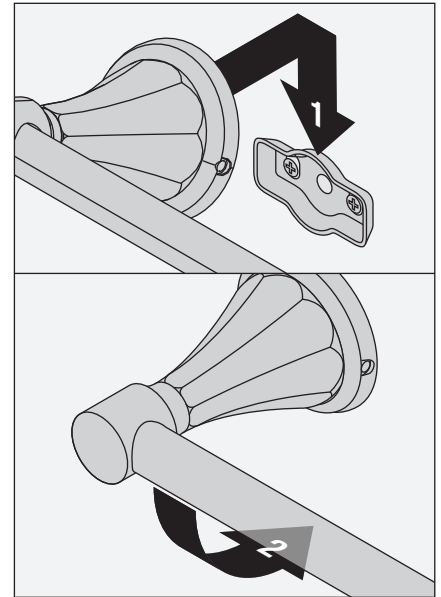
- 2b) **Stud Option:** Place mounting brackets into desired position. Using brackets as a guide, carefully drill 1/8" holes into wall.



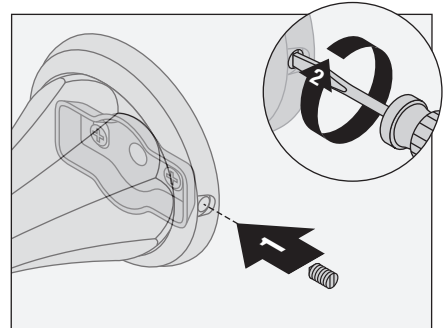
- 3) With mounting brackets in position, secure to wall using screws.



- 4) Hang top of towel bar on mounting bracket. Lower into position.

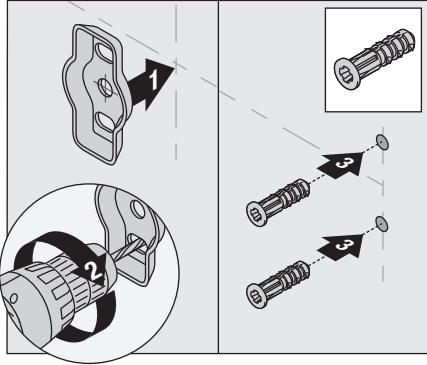


- 5) Secure with set screw.

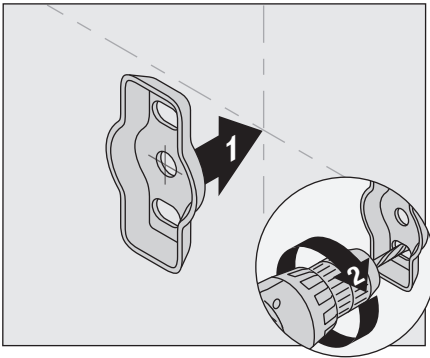


## Installation

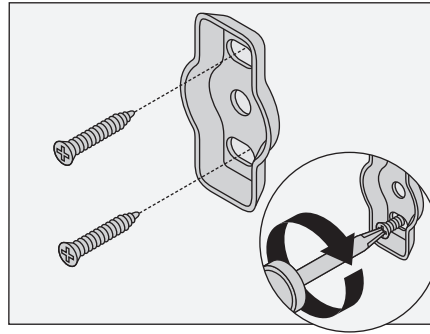
6a) **Dry Wall Option:** Place mounting brackets into desired position. Using brackets as a guide, carefully drill 3/16" holes into wall and insert wall anchors into drill holes.



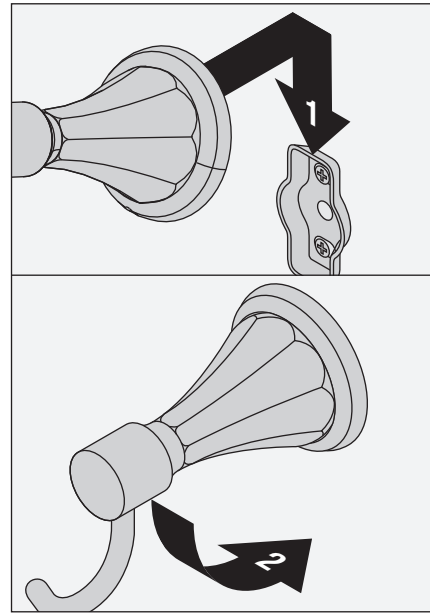
6b) **Stud Option:** Place mounting brackets into desired position. Using brackets as a guide, carefully drill 1/8" holes into wall.



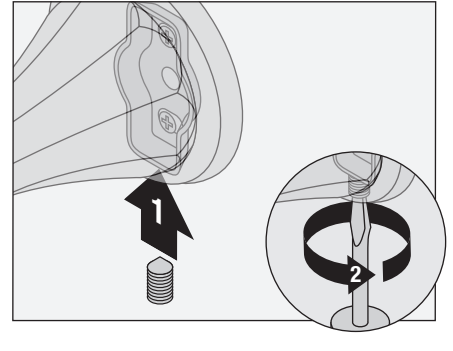
7) With mounting brackets in position, secure to wall using screws.



8) Hang top of accessory on mounting bracket. Lower into position



9) Secure with set screw.



## Care and Cleaning

1) Clean finished trim area with a soft cloth using mild soap and water or a non-abrasive cleaner and then quickly rinse with water.