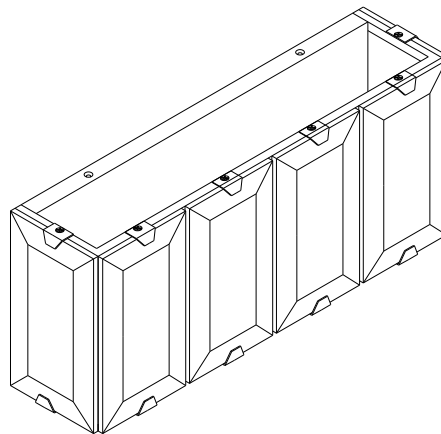


## USE AND CARE GUIDE

### BRENTON 4 LIGHT WALL SCONCE RATED FOR USE IN DRY OR DAMP LOCATIONS



Questions, problems, missing parts? Before returning to the store,  
Please contact Fifth and Main Customer Service at  
[fifthandmainsupport@troycs1.com](mailto:fifthandmainsupport@troycs1.com)

---

#### **THANK YOU**

*We appreciate the trust and confidence you have placed in Fifth and Main Collection through the purchase of this Wall sconce.  
We strive to continually create quality products designed to enhance your home.*

*Thank you for choosing Fifth and Main!*

# Table of Contents

<b>Table of Contents</b> .....	<b>2</b>	Tools required .....	3
<b>Safety Information</b> .....	<b>2</b>	Hardware Included.....	3
<b>Warranty</b> .....	<b>2</b>	<b>Pre-installation (continued)</b> .....	<b>4</b>
What is Covered.....	2	Package Contents.....	4
What is Not Covered .....	2	<b>Installation (continued)</b> .....	<b>5</b>
<b>Pre-installation</b> .....	<b>3</b>		
Planning Installation .....	3		

# Safety Information

- Read all instructions before assembling and installing the product.
- Consult a qualified electrician for installation of this fixture.
- If you have any non-electrical questions about this, please contact the customer service [fifthandmainsupport@troycsl.com](mailto:fifthandmainsupport@troycsl.com)
- Save these instructions for future reference.



**WARNING:**

Before starting installation of this fixture or removal of a previous fixture, disconnect the power by turning off the circuit breaker or by removing the fuse at the fuse box.



**CAUTION:**

Inspect the wire insulation for any cuts, abrasions, or exposed copper that may have resulted during shipping. If there is a defect in the wire, do not attempt installation. Please contact our customer service department [fifthandmainsupport@troycsl.com](mailto:fifthandmainsupport@troycsl.com)

# Warranty

## WHAT IS COVERED

The manufacturer warrants this lighting fixture to be free from defects in materials and workmanship for a period of three (3) years from date of purchase. This warranty applies only to the original consumer purchaser and only to products used in normal use and service. If his product is found to be defective, the manufacturer's only obligation, and your exclusive remedy, is the repair or replacement of the product at the manufacturer's discretion, provided that the product has not been damaged through misuse, abuse, accident, modifications, alterations, neglect, or mishandling. This warranty shall not apply to any product that is found to have been improperly installed, set-up, or used in any way not in accordance with the instructions supplied with the product. This warranty shall not apply to a failure of the product as a result of an accident, misuse, abuse, negligence, alteration, faulty installation, or any other failure not relating to faulty material or workmanship.

## WHAT IS NOT COVERED

This warranty shall not apply to the finish on any portion of the product, such as surface and/or weathering, as this is considered normal wear and tear. The manufacturer does not warrant and specially disclaims any warranty, whether express or implied, of fitness for a particular purpose, other than the warranty contained herein. The manufacturer specifically disclaims any liability and shall not be liable for any consequential or incidental loss or damage, including but not limited to any labor / expense costs involved in the replacement or repair of said product.

Contact the Customer Service [fifthandmainsupport@troycsl.com](mailto:fifthandmainsupport@troycsl.com)

# Pre-installation

## PLANNING INSTALLATION

- Read all instructions before installation
- To avoid damaging this product, assemble it on a soft, non- abrasive surface, such as carpet or cardboard.

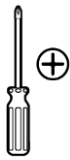


□ **NOTE:** Keep your receipt and these instructions for proof of purchase.

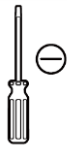
## TOOLS REQUIRED



Safety goggles



Phillips screwdriver



Flathead screwdriver



Wire strippers



Wire cutters



Ladder



Electrical tape



Pliers

## HARDWARE INCLUDED



**NOTE:** Hardware not shown to actual size.



AA



BB



CC



DD



EE



FF

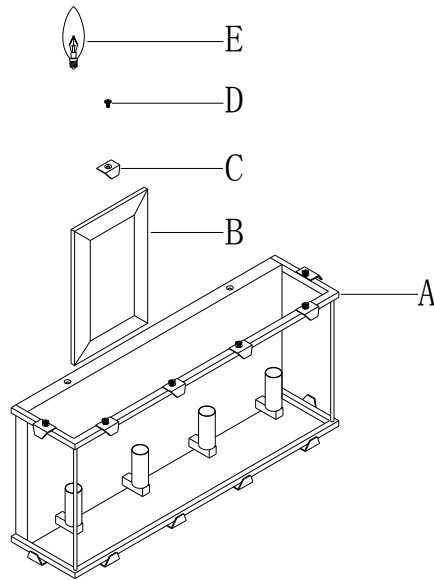


GG

Part	THD Table Header, 10 pt.	Quantity
AA	Mounting plate	1
BB	Ground screw	1
CC	Outlet box screw	4
DD	Wall anchor	2
EE	Mounting screw	2
FF	Wire nut	3
GG	Mounting screw	4

# Pre-installation (continued)

## PACKAGE CONTENTS

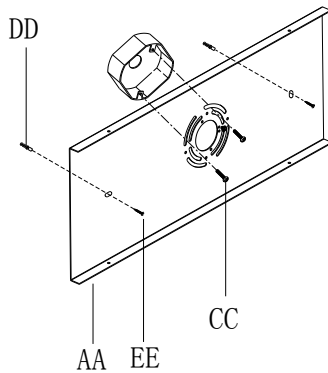


Part	Description	Quantity
A	Lamp Frame	1
B	Beveled Glass	6
C	Hardware	6
D	Mounting screw	2
E	bulb	4( not included)

# Installation

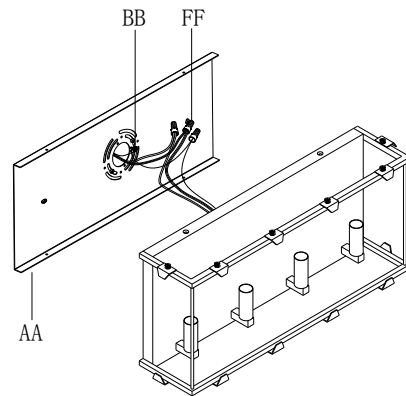
## 1 Attach the mounting plate to the outlet box

- Screw the wall anchors(DD) to the wall
- The outlet box screw through to mounting plate(AA) to be locked to the outlet box
- The mounting screw(EE) through the mounting plate(AA) to be locked to wall anchors(DD)



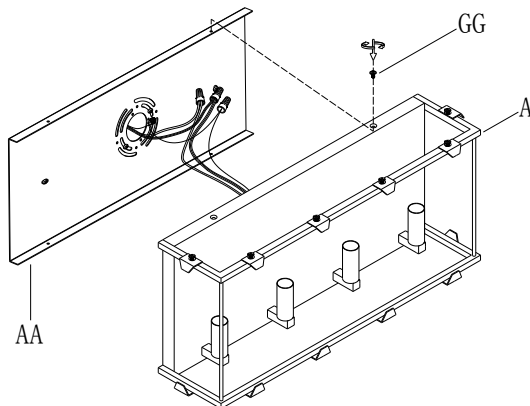
## 2 Connecting the electrical wires

- Connect the copper wire from the light fixture (A) to the mounting plate (AA) by securing it with the pre-installed ground screw.
- Connect the white wire from the fixture to the white wire(neutral wire) from the outlet box.
- Connect the black wire from the fixture to the black wire(live wire) from the outlet box.
- Cover the three connections using the three wire nuts(FF), Wrap the three wire connections with electrical tape for a more secure connection.
- Position the wire back inside the outlet box.



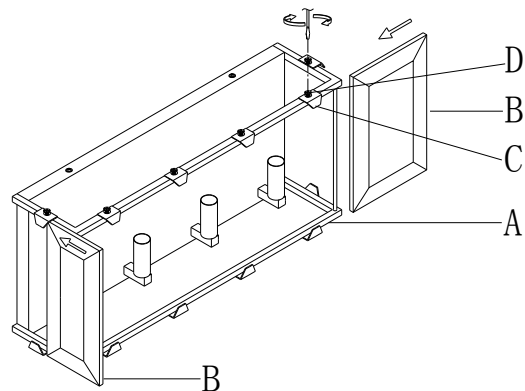
## 3 Installing the lighting fixture

- Secure the fixture frame(A) to mounting plate(AA) with provided mounting screw (GG)
- Install open end up only.



## 4 Securing the glass

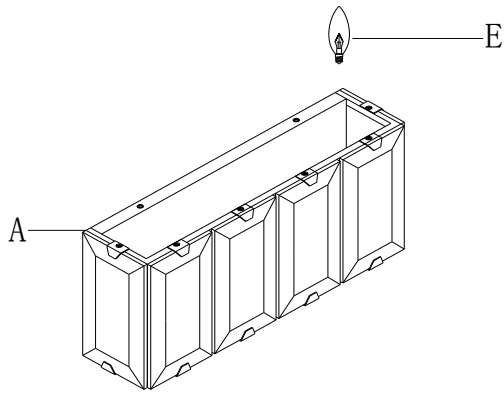
- Slide Beveled Glass (B) into hardware (C) and tighten with screws(D)



# Installation

## 5 Install the bulb

- Install the bulb(not included) .Be sure to use light bulb(s) with wattage no greater than specified on this fixture.
- Recommend B10 candelabra base clear bulb, 60 watts max.



# Fifth and Main

## LIGHTING

Questions, problems, missing parts? Before returning to the store,  
Please contact Fifth and Main Customer Service at  
[fifthandmainsupport@troydsl.com](mailto:fifthandmainsupport@troydsl.com)

Retain this manual for future use.