



Visit [www.wingits.com](http://www.wingits.com)  
to view easy installation videos!

# MASTER Anchor™

PART# - MAW35

## The World's Strongest Fastener™

- NEVER Loosens!
- Installs in ALL Hollow Walls - in just minutes!
- Rated up to **300 lbs.** in drywall
- Handles vector forces 360°
- Objects can be easily removed or replaced

### DRILL IT. INSTALL IT. MOUNT IT.

Fire Retardant, Structural Plastic & S/S Construction



MADE WITH PRIDE IN THE U.S.A.

### OVER TWO MILLION

2000826

### INSTALLED.

AND STILL COUNTING ...

**MASTER Anchor**  
STANDARD HOLLOW WALL ANCHOR

- Uses 8-32 X 3 1/2" Stainless Steel Screws
- Made with Fire Retardant Plastics
- Thousand of Uses



PART# - MAW35

**MASTER Anchor**  
with HOOK PLATE

HP

- Uses 8-32 X 3 1/2" Stainless Steel Screws and Hook Plate
- Hang heavy mirrors and pictures
- Safe for indoor and outdoor use



PART# - MAWHP35

**MASTER Anchor**  
with OFFSET for minimal reveal

OS

- For installation where mounting hole is less than 1/2" from edge
- Uses 8-32 X 3 1/2" Stainless Steel Screws
- Great for shelving
- Superior design for custom install



PART# - MAWOS35

**MASTER Anchor**  
SUPER DUTY

SD

- Uses 10-32 X 3 1/2" Stainless Steel Screws
- Great for mounting Flat Screen TVs\*
- For items with larger mounting holes
- Superior design - installs in minutes!

\*Recommended for Low-Profile & Tilting Mounts (Not Full Motion Mounts) - see [www.wingits.com](http://www.wingits.com)



PART# - MAWSD35

**MASTER Anchor**  
SUPER DUTY WITH OFFSET

SDOS

- For installations where mounting hole is less than 1/2" from edge
- Uses 10-32 X 3 1/2" Stainless Steel Screws
- For items with larger mounting holes
- Superior design - easy install every time



PART# - MAWSDOS35

ALL MASTER ANCHORS ARE EASILY INSTALLED WITH THE APACHE200 3/4" DRILL BIT

Call us at 877.894.6448

Visit us at [www.wingits.com](http://www.wingits.com)

Email us at [sales@wingits.com](mailto:sales@wingits.com)



• The World's Strongest Fasteners & Fixtures™ •

Typical Installations...

MAW35

- Bath Accessories
- Window Dressing
- Typical Shelving
- Dispensers
- Most Wall Mount Accessories

MAWHP35

- Heavy Mirrors
- Heavy Pictures

MAWOS35

- Wall Mount Accessories with less than 1/2" from mount hole to product edge

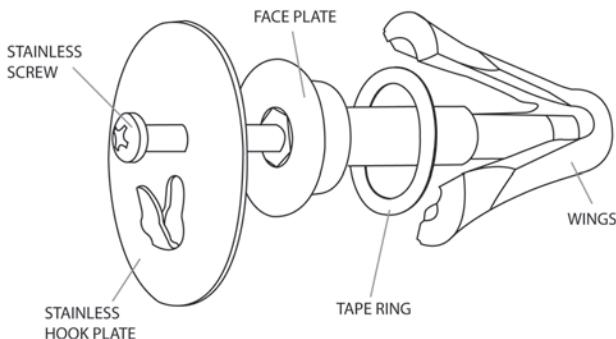
MAWSD35

- Flat Screen TVs\*
- Bath Partitions
- Diaper Changing Tables

\*Recommended for Low-Profile & Tilting Mounts (Not Full Motion Mounts) - see www.wingits.com

MAWSDOS35

- Items with larger mount holes that are less than 1/2" from product edge



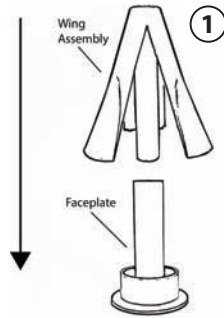
Install Instructions:

For Watertight application peel Tape Ring off liner, place Tape on Faceplate and remove paper cover.



For mirrors and pictures, use the optional Stainless Hook Plate.

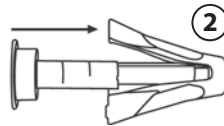
Surface Preparation - Determine where to install MAW - Drill 3/4" hole using the APACHE200 (rated @ 200 holes in ceramic wall tile). The standard MASTER Anchor is used in wall substrates up to 1.3" thick - call for other sizes.



1. Insert the WINGS into the FACEPLATE (the tubes interlock).

2. Extend the WingIt to full length.

3. Compress and insert the WINGS into the holes.

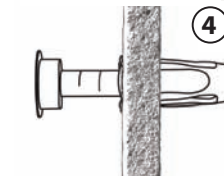


4. WINGS should be FLUSH with the wall surface.

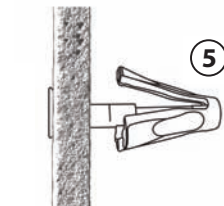
5. Pop WingIt through the hole by pushing on the Faceplate.



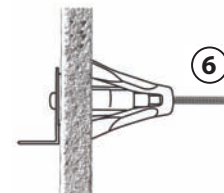
6. Using the enclosed 3.5" Stainless Steel Screw, attach the object to the WingIt.



NOTE: For individual mounting points where the object will be subject to considerable torque (rotational forces) - use at least TWO MASTER ANCHORS.



Note: Strength and stability are greatly affected by projection off the wall surface and the length of interaction with the wall surface. Call us at 877.894.6448 for guidance.



WingIts are designed to be used in vertical walls only - **DO NOT USE IN CEILINGS**

View Master Anchor Installation Videos at: [www.wingits.com](http://www.wingits.com)