

# SUMMIT 500 WALL HUNG BASIN

Cat. No  
4-76X



Faucet not included



Mounting hardware

W: 19-3/4"  
D: 15-1/8"  
H: 6-3/4"

Back of basin to center of faucet: 2"  
Back of basin to center of drain: 7-1/4"  
Mount holes cc: 7"

## Interior Dimensions:

Basin Interior: 18-1/2" x 10-3/8"  
Basin Depth: 4-3/4"  
Spout Hole: 1-3/8"

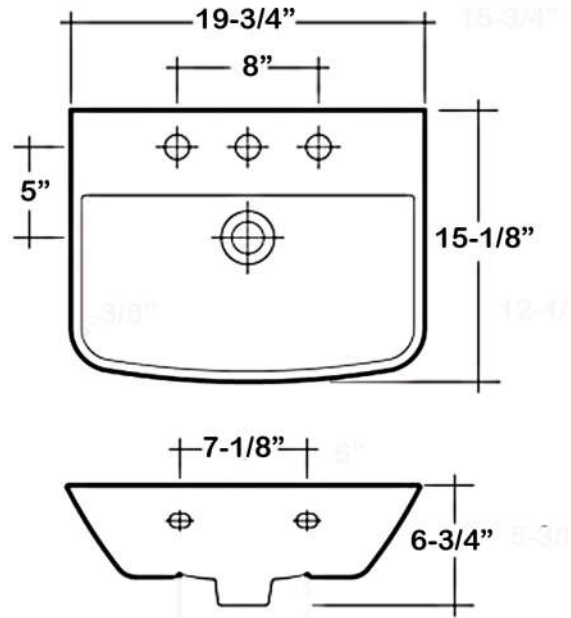
## Features:

- ▶ Wall hung basin
- ▶ Made of Vitreous China
- ▶ Pre-drilled overflow
- ▶ Available with 1-hole (4-761), 4" centerset (4-764) 8" widespread (4-768)
- ▶ Mounting hardware included

## Colors:

WH White

Meets or exceeds the following specifications: ASME A112.19.2 2013 and CSA B45.1-13 for ceramic plumbing fixtures.



Dimensions of fixture are nominal and may vary within the range of tolerances established by ASME Standard A112.19.2.2013. Dimensions and specifications subject to change without notice.