

DISHWASHER

EI24ID81SS

Featuring IQ-Touch™ Electronic Controls



PRODUCT DIMENSIONS

Height (Adjustable)	33-3/4" – 35-3/4"
Width	23-3/4"
Depth	24-1/4"

MORE EASY-TO-USE FEATURES

THIRD-LEVEL RACK PROVIDES MORE SPACE FOR UTENSILS

Serving utensils and culinary tools are always party-ready with our removable Third-Level Rack, which allows for the perfect organization and clean.

SURE-2-FIT® RACKS ADJUST WITH EASE

Find the perfect place for every platter and pitcher with our adjustable Sure-2-Fit® racking system.

ENERGY STAR®-CERTIFIED

Our products are rigorously tested to meet strict energy guidelines.

CLEAN LIGHT SHINES WHEN DISHES ARE READY

A soft light shines on the floor when the cycle ends to let you know that your dishes are clean.

PUT YOUR STEMWARE IN ITS PLACE

Perfect Stemware™ grips gently hold delicate items in place for a sparkling clean.

SANITIZE OPTION

Certified to remove 99.9% of common household bacteria.

PERFECT STEMWARE™ CYCLE

For sparkling stemware that is ready for entertaining.

PLATINUM STAR® LIMITED WARRANTY

Our exclusive limited warranty that includes 3-year coverage on parts and one year on labor.²

LEAK-DETECTION SYSTEM

Detects water leaks and immediately stops and drains the dishwasher while alerting you on the control panel.

Available in:



Stainless
(S)

¹Using Max Dry option.

²Eligibility based on product registration with Electrolux North America within 60 days of purchase. Products must have been purchased on or after July 1, 2013. Coverage includes material parts for 3 years and labor for 1 year.

SIGNATURE FEATURES



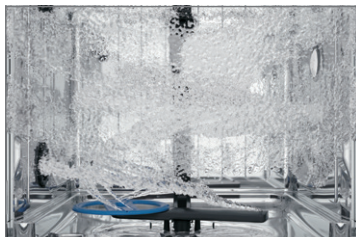
PERFECT DRY™ SYSTEM ENSURES A BRILLIANT DRY

Enjoy brilliant drying with our Perfect Dry™ System, which circulates air evenly for a complete dry¹.



30-MINUTE CLEAN LEAVES DISHES SPARKLING

Dishes come out sparkling between courses with our thorough 30-Minute Clean.



LUXCARE™ WASH ARM USES WATER MORE EFFECTIVELY FOR AN EFFORTLESS CLEAN

Your dirtiest dishes don't stand a chance with our innovative rotating LuxCare™ Wash Arm, which makes better use of your water for an effective clean.



EFFORTLESSLY CLEAN HARD-TO-REACH CORNERS WITH TARGET WASH ZONES

Take aim — special nozzles deliver a targeted wash to clean all sizes and shapes of dishes that need a little extra attention.

24" BUILT-IN DISHWASHER

FEATURES

Stainless Steel Interior	Yes
Signature Soft-Arc Handle Design	
Luxury-Hold™ Door	Yes
IQ-Touch™ Electronic Controls	Yes
Fully Integrated Control Panel	Yes
Tall-Tub Design	Yes
ProClean™ Wash System	Yes
LuxCare™ Wash Arm	Yes
Target Wash Zones	Yes
Wash Levels	5
AquaLux™ Wash System	Yes
Luxury-Quiet™ Sound Package	Yes
Sound Level	45 dB
SmartSoil™ Sensor	Yes
Perfect Dry™ System	Yes
Adjustable Rinse Aid Dispenser with Indicator	Yes
ENERGY STAR®	Yes
Reclaimable	

CYCLES

Auto Wash	Yes
Heavy	Yes
Normal	Yes
Fast Wash (30-Min.)	Yes
China / Crystal	
Perfect Stemware™ Cycle	Yes
Favorite	Yes
Eco Wash	Yes
Upper Rack Only	Yes
Rinse Only	Yes

OPTIONS

Hi-Temp. Wash	Yes
Heat / No Heat Dry	Yes
Max Dry	Yes
Sanitize Option	Yes
Delay Start (Hours)	1-24

RACK SYSTEM

Nylon Rack System	Sure-2-Fit®
Luxury-Glide® Nylon Upper Rack –	
Adjustable Height	Yes
Cup Shelf / Perfect Stemware™ Holders	2 / 6
Fold-Down Tines	4
Rack Handle	Yes
Luxury-Glide® Nylon Lower Rack –	
Fold-Down Tines	4
Stemware / Champagne Glass Holders	3
Silverware Basket	3-Piece Split
Rack Handle	Yes
Third-Level Rack (Single Tray)	Yes

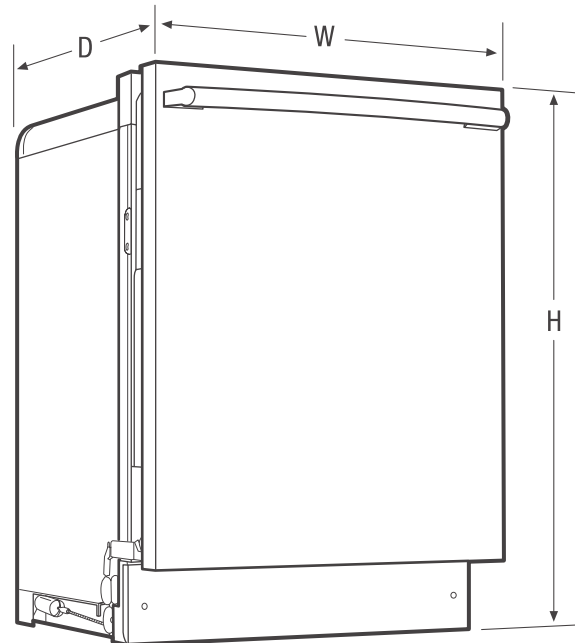
SPECIFICATIONS

Color –	
Stainless Steel	S
Power Supply Location	Right Bottom Front
Water Inlet Location	Left Bottom Front
Water Usage (Gallons) – Normal Cycle	4.0 – 8.0
Water Pressure (PSI)	20 – 90
Integral Air Gap on Supply	Yes
Voltage Rating	120V / 60 Hz
Connected Load (kW Rating) @120 Volts†	1.44
Amps @ 120 Volts	15
Shipping Weight (Approx.)	115 Lbs.

† For use on adequately wired 120V, dedicated circuit having 2-wire service with a separate ground wire. Appliance must be grounded for safe operation.

NOTE: Always consult local and national electric and plumbing codes. Refer to Product Installation Guide for detailed installation instructions on the web at electroluxappliances.com.

Specifications subject to change.



PRODUCT DIMENSIONS

Height (Adjustable*)	33-3/4" – 35-3/4"
Width	23-3/4"
Depth	24-1/4"
Depth with 90° Door Open	50-1/4"

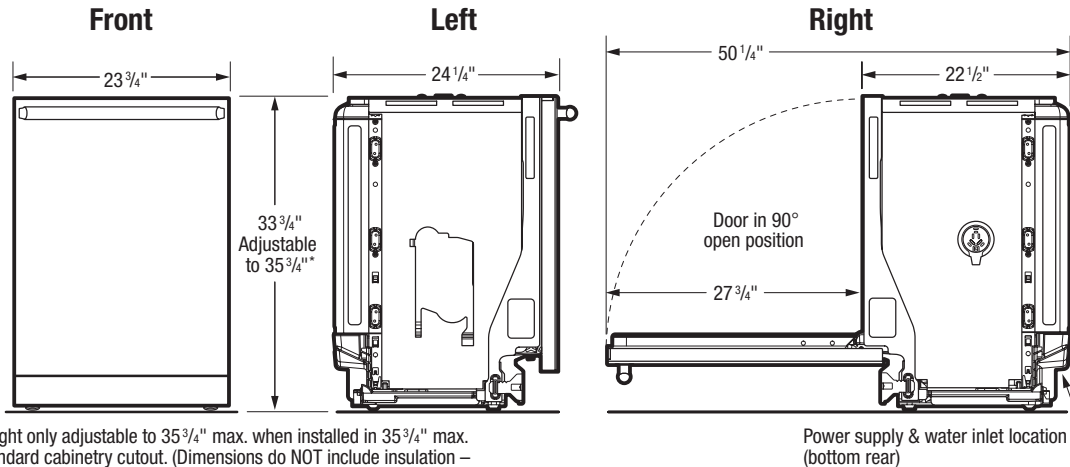
*Height only adjustable to 35-3/4" max. when installed in 35-3/4" max. standard cabinetry cutout to allow for 5/16" min. clearance.

Electrolux Major Appliances, N.A.

USA • 10200 David Taylor Drive • Charlotte, NC 28262 • 1-877-4electrolux (1-877-435-3287) • electroluxappliances.com
 CANADA • 5855 Terry Fox Way • Mississauga, ON L5V 3E4 • 1-800-265-8352 • electroluxappliances.ca

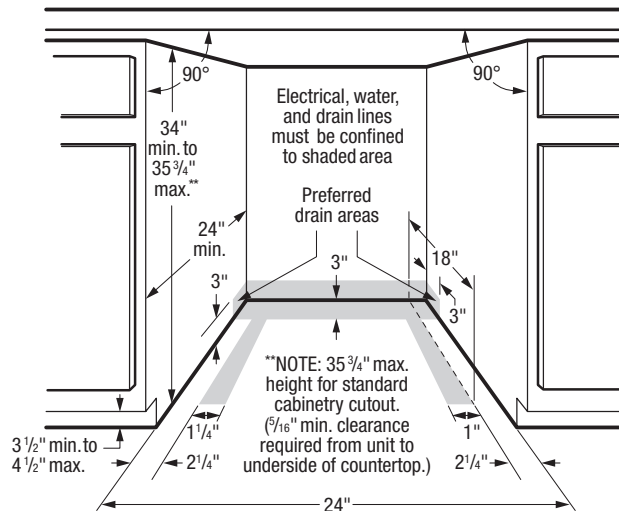


High standards of quality at Electrolux Home Products, Inc. mean we are constantly working to improve our products. We reserve the right to change specifications or discontinue models without notice.



*Height only adjustable to 35 3/4" max. when installed in 35 3/4" max. standard cabinetry cutout. (Dimensions do NOT include insulation – insulation blanket may be compressed during installation.)

Power supply & water inlet location (bottom rear)



Built-In Dishwasher Specifications

- Product Weight – 98 Lbs.
- Voltage Rating – 120V/60Hz
- Connected Load (kW Rating) @120 Volts = 1.44 kW
(For use on adequately wired 120V, dedicated circuit having 2-wire service with a separate ground wire. Appliance must be grounded for safe operation.)
- Amps @ 120V = 15A
- Always consult local and national electric & plumbing codes. Meets requirements of ASSE 1006—integral air gap on supply.
- Water Pressure – Hot water line to dishwasher must provide between 20 and 90 pounds per square inch (psi) with at least 120° F hot water temperature.
- Make sure location has correct drain, water and electrical outlets to make connections – MUST be confined to shaded areas.
- Electrical and water supplies should enter cabinet opening on floor, or through back or side walls, as shown in shaded areas.
- If connecting drain hose to sink trap, local code may require installation of Air Gap Kit (not included).

- Leveling legs supplied to adjust height. (Note: Height only adjustable to 35-3/4" max. when installed in 35-3/4" max. standard cabinetry cutout. 5/16" min. clearance required from top of unit to underside of countertop. Dimensions do NOT include insulation — insulation blanket may be compressed during installation.)
- When installing adjacent to wall, cabinet or other obstruction that extends beyond front edge of unit, allow 2" minimum clearance between opened door and obstruction.
- Floor should be flat and free of obstructions.
- When installing at end of cabinet line, sides and back must be fully enclosed.
- Do not install unit under a cooktop, damage will occur.
- Recommended to seal cabinets, enclosing all sides of dishwasher, including underside of countertop, with oil-based paint or moisture-proof polyurethane to prevent possible steam/moisture damage.

Note: For planning purposes only. Refer to Product Installation Guide on the web at electroluxappliances.com for detailed instructions.

Electrolux Major Appliances, N.A.

USA • 10200 David Taylor Drive • Charlotte, NC 28262 • 1-877-4electrolux (1-877-435-3287) • electroluxappliances.com
 CANADA • 5855 Terry Fox Way • Mississauga, ON L5V 3E4 • 1-800-265-8352 • electroluxappliances.ca