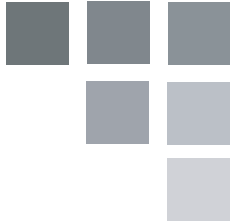




OWNER'S MANUAL  
MANUEL DU PROPRIÉTAIRE  
MANUAL DEL PROPIETARIO



<b>DISHWASHER</b> Owner's Manual.....	<b>1 - 14</b>
<b>LAVE-VAISSELLE</b> Manuel du propriétaire.....	<b>15 - 28</b>
<b>LAVAPLATOS</b> Manual del propietario.....	<b>29 - 42</b>

<b>MODEL • MODÈLE • MODELO</b>
<b>DDW1804EW</b>
<b>DDW1804EBSS</b>

# Welcome

Welcome to the Danby family. We are proud of our quality products and we believe in dependable service. We suggest that you read this owner's manual before plugging in your new appliance as it contains important operation information, safety information, troubleshooting and maintenance tips to ensure the reliability and longevity of your appliance.

Visit [www.Danby.com](http://www.Danby.com) to access self service tools, FAQs and much more. For additional assistance call **1-800-263-2629**.

**Note the information below; you will need this information to obtain service under warranty.**

**You must provide the original purchase receipt to validate your warranty and receive service.**

**Model Number:** \_\_\_\_\_

**Serial Number:** \_\_\_\_\_

**Date of Purchase:** \_\_\_\_\_

## Need Help?

Before you call for service, here are a few things you can do to help us serve you better.

**Read this owner's manual:**

It contains instructions to help you use and maintain your appliance properly.

**If you receive a damaged appliance:**

Immediately contact the retailer or builder that sold you the appliance.

**Save time and money:**

Check the troubleshooting section at the end of this manual before calling. This section will help you solve common problems that may occur.



1-800-26- Danby  
(1-800-263-2629)



## Important Safety Information

### READ AND FOLLOW ALL SAFETY INSTRUCTIONS

### GROUNDING INSTRUCTIONS

This appliance must be grounded. In the event of an electrical short circuit, grounding reduces the risk of electrical shock by providing an escape wire for the electrical current.

This appliance is equipped with a cord that has a grounding wire and grounding plug. The power cord must be plugged into an outlet that is properly grounded. If the outlet is a 2-prong wall outlet, it is your responsibility to have it replaced with a properly grounded 3-prong wall outlet. The serial rating plate indicates the voltage and frequency the appliance is designed for.

**WARNING** - Improper use of the grounding plug can result in a risk of electric shock. Consult a qualified electrician or service agent if the grounding instructions are not completely understood, or if doubt exists as to whether the appliance is properly grounded.

### DO NOT USE AN EXTENSION CORD

Do not connect your appliance to extension cords or together with another appliance in the same wall outlet. Do not splice the power cord. Do not under any circumstances cut or remove the third ground prong from the power cord.

If the power supply cord is damaged, it must be replaced by the manufacturer, its service agent or similar qualified person in order to avoid hazard.

Ensure that component parts are replaced with like components and that servicing is done by factory authorized service personnel to minimize the risk of possible ignition due to incorrect parts or improper service.

This appliance is not intended for use by persons (including children) whose physical, sensory or mental capabilities may be different or reduced, or who lack experience or knowledge, unless such persons receive supervision or training to operate the appliance by a person responsible for their safety.

### SAFETY REQUIREMENTS

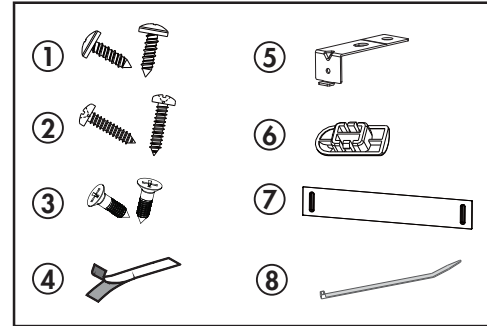
- Children should be supervised to ensure that they do not play with the appliance.
- Do not stand, sit or lean on the door or dish rack. Do not place heavy items on the door when it is open.
- Do not touch the heating element during or immediately after use.
- Do not operate the appliance unless all enclosure panels are properly installed.
- Open door carefully during operation, water may leak. Proceed with caution as water may be hot.
- Do not wash plastic items unless they are marked dishwasher safe.
- Use only detergent and rinse additives that are designed for an automatic dishwasher.
- Never use soap, laundry detergent or hand washing detergent in the dishwasher.
- Keep detergent and rinse aid out of the reach of children.
- Check that the detergent dispenser is empty after completion of the wash cycle.
- Dishwasher detergents are strongly alkaline and can be extremely dangerous if swallowed. Avoid contact with the skin and eyes.
- Remove the door of the appliance when removing from service or discarding.
- The hot water supply line pressure must be between 0.04 - 1 MPa.
- The water supply inlet temperature should be between 48 - 65°C (120 - 149°F).

**SAVE THESE INSTRUCTIONS!**

# INSTALLATION INSTRUCTIONS

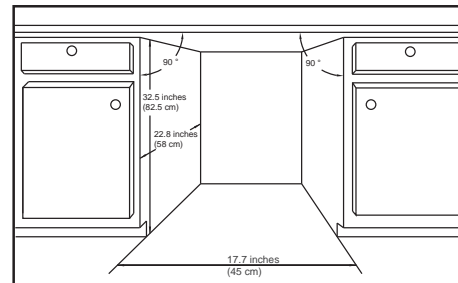
## ACCESSORIES

1. ST3.5\*9 screws for the installation brace (x2)
2. ST3.9\*13 screws for the kick plate (x2)
3. ST4\*14 screws for the installation brace (x2)
4. Condensation strip
5. Installation brace (x2)
6. Adjustment caps (x2)
7. Kick plate
8. Cable tie to secure the drain hose

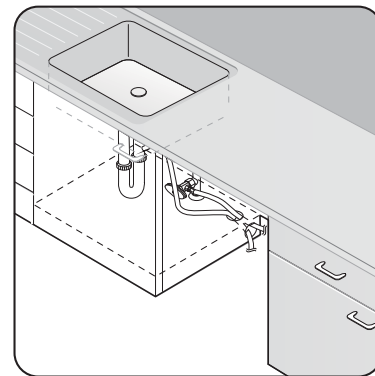


## ENCLOSURE

The installation location must have a solid floor that is able to support the appliance when it is fully loaded and filled with water. The location must be within 9.8 feet (3 meters) of a sink with easy access to the water supply, the drain and an electrical outlet. The location must have enough space in front of it for the door to open to 90° so that the dishwasher can be loaded.



The installation enclosure should have the following dimensions: 17.7 inches (45 cm) wide by 32.5 inches (82.5 cm) tall by 22.8 inches (58 cm) deep. There should be less than 5 mm between the top of the dishwasher and the cabinet and the dishwasher door should align with the cabinet face.



If necessary, cut holes in the surrounding cabinetry to provide access the water and power connections.

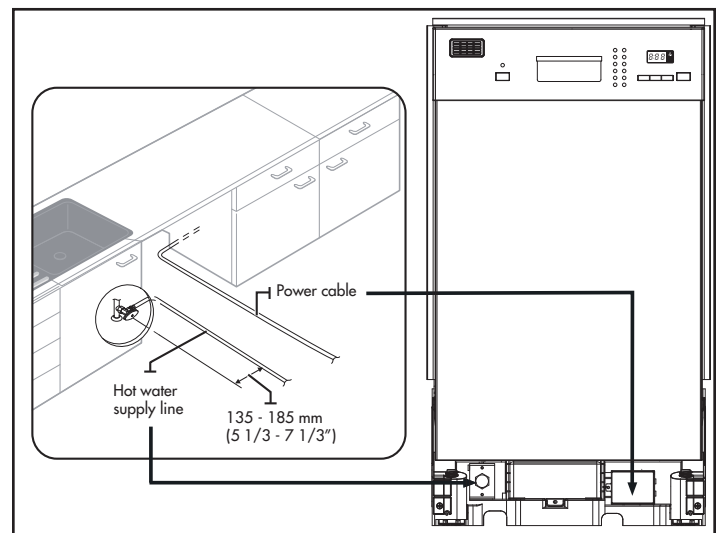
## WATER CONNECTION INSTRUCTIONS

The hot water supply line pressure must be between 0.04 - 1 MPa.

The water supply inlet temperature should be between 48 - 65°C (120 - 149°F). Ensure that the water temperature does not exceed 65°C (149°F) to avoid damage to dishes.

Ensure that the circuit breaker and the water supply valve are turned off before connecting the hot water supply line to the dishwasher.

The power cable will connect to the junction box on the front right side of the appliance. The hot water supply line will connect to the water port on the front left side of the appliance.



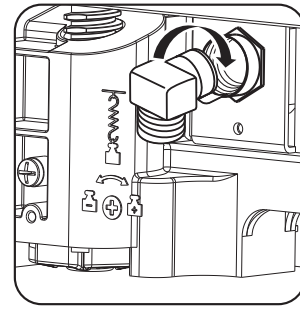
**Note:** It is recommended to only use soft water in the appliance to achieve the best washing results.

# INSTALLATION INSTRUCTIONS

## Connecting the hot water line

Run the hot water line through the channel on the bottom left side of the appliance. Make sure the hot water line is not twisted and then connect it to the appliance using an elbow joint. Use Teflon tape or sealing compound on the connection to avoid leaks.

Do not over tighten the 90° elbow. This can damage the water inlet and cause a leak.



## Connecting the drain line

The drain hose will connect to the drain pump on the bottom of the appliance. Run the drain line in the same channel on the bottom of the appliance as the hot water line. Ensure there is nothing inside the drain hose and that it does not tear during the installation process.

There are a number of different ways to connect the drain hose depending on the configuration of the sink. Review the different ways of connecting the drain system and choose a method that best suits the application. Local codes may require the installation of an air gap kit. Check with a qualified plumber if there is any doubt.

1. Air gap
2. Air gap with garbage disposal
3. No air gap
4. No air gap with garbage disposal

Use a rubber connector to connect drain hoses and hose clamps on all connection points.

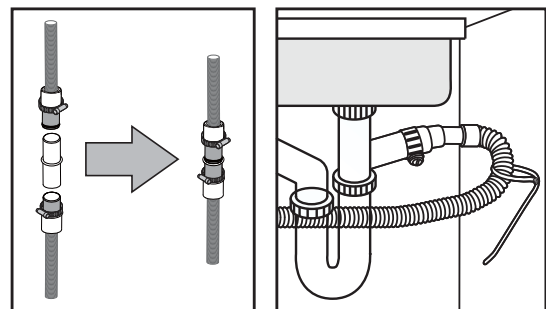
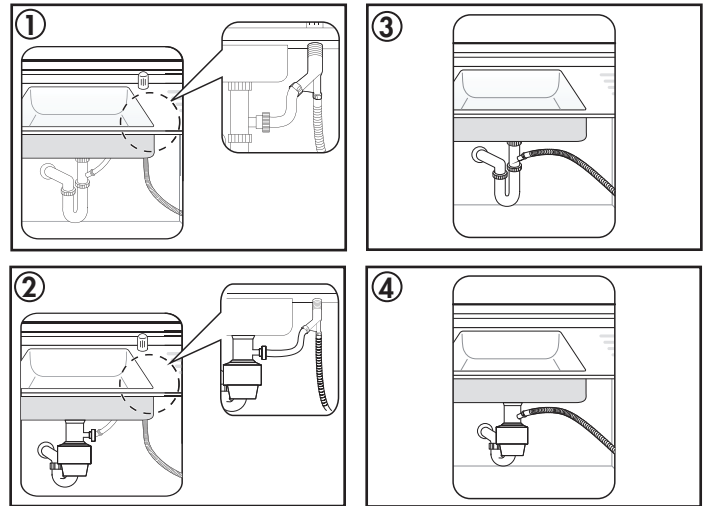
Secure the drain hose to the sink wall using cable ties or other fastening materials. If not fastened, the drain hose may bend causing drainage problems.

The drain hose internal diameter is 0.8 inches (21 mm).

The top of the drain hose must be less than 39 inches (100 cm) from the floor.

If the drain hose is not looped up the water may siphon out during a wash cycle.

Any bends in the drain hose must be supported so that the hose will not kink or bend.



## INSTALLATION INSTRUCTIONS

### WIRING CONNECTION INSTRUCTIONS

Before connecting the power cable to the dishwasher, make sure the circuit breaker is off.

In the junction box located at the front bottom right of the dishwasher, find the three power wires from the dishwasher including the grounding line.

Pass the power cable through the strain relief, and then into the junction box.

Connect the black wire of the dishwasher to the black wire of the power cable by inserting both into a wire nut and then rotating the wire connector.

Connect the white wire to the white wire and the green to the green in the same manner.

Recheck each wire to ensure it is connected correctly and securely.

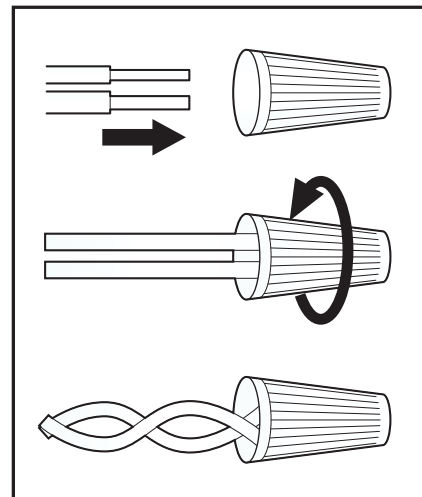
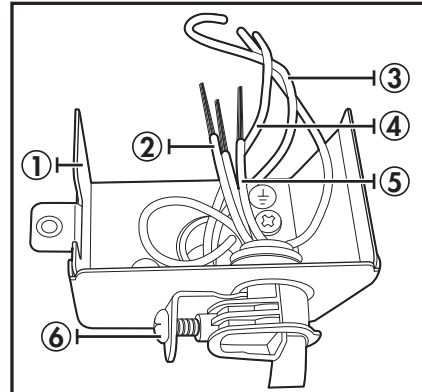
Each colored wire should be connected to the corresponding wire of the same color.

White should be connected to white, black to black, and green to green.

Replace the junction box cover on the dishwasher.

Recheck each wire to ensure it is connected correctly and securely. Each coloured wire should be connected to the corresponding wire of the same colour.

1. Junction box
2. Power cable
3. Black to black
4. White to white
5. Green to green (ground to ground)
6. Strain relief



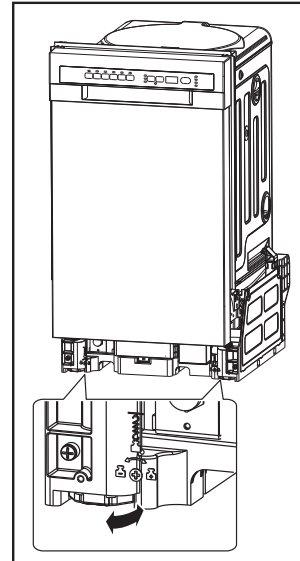
### WARNING ELECTRICAL SHOCK HAZARD

To avoid electrical shock, do not work on an energized circuit. Doing so could result in serious injury or death. To avoid a fire hazard, make sure electrical work is properly installed. Only qualified electricians should perform electrical work.

# INSTALLATION INSTRUCTIONS

## LEVELING INSTRUCTIONS

Ensure that the appliance is level before placing it into the enclosure. The rear foot can be adjusted from the front of the dishwasher by turning. Use a flat screwdriver to adjust the front feet until the appliance is level.



## INSTALLATION BRACES

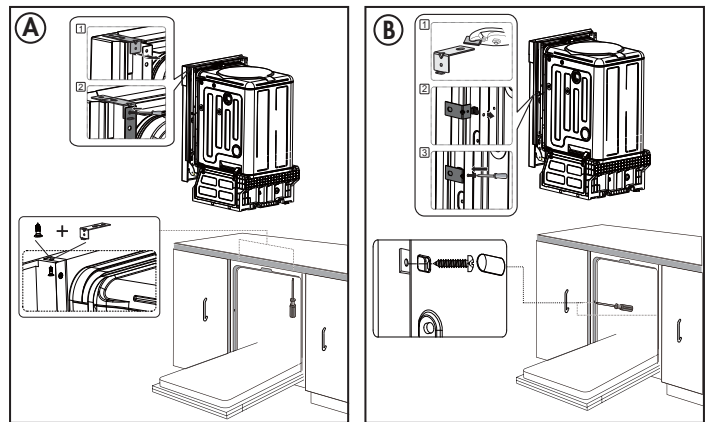
The appliance must be secured in place with the installation braces. There are two different ways to use the braces.

### A. Normal work surface

Put the installation hook into the slot of the side plane and secure it to the work surface with the wood screws.

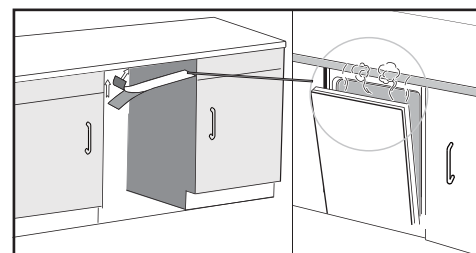
### B. Marble or granite counter top

Fix the side with the screw. Place the screw covers over the internal screws to protect them from water.



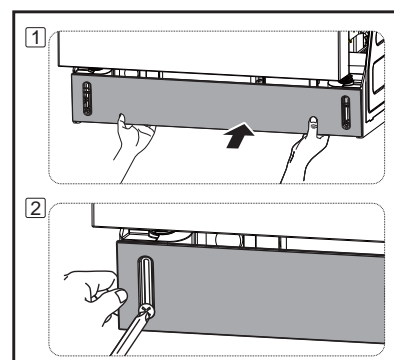
## CONDENSATION STRIP

Attach the condensation strip under the work surface of the cabinet. Ensure that the strip is flush with the edge of the work surface.



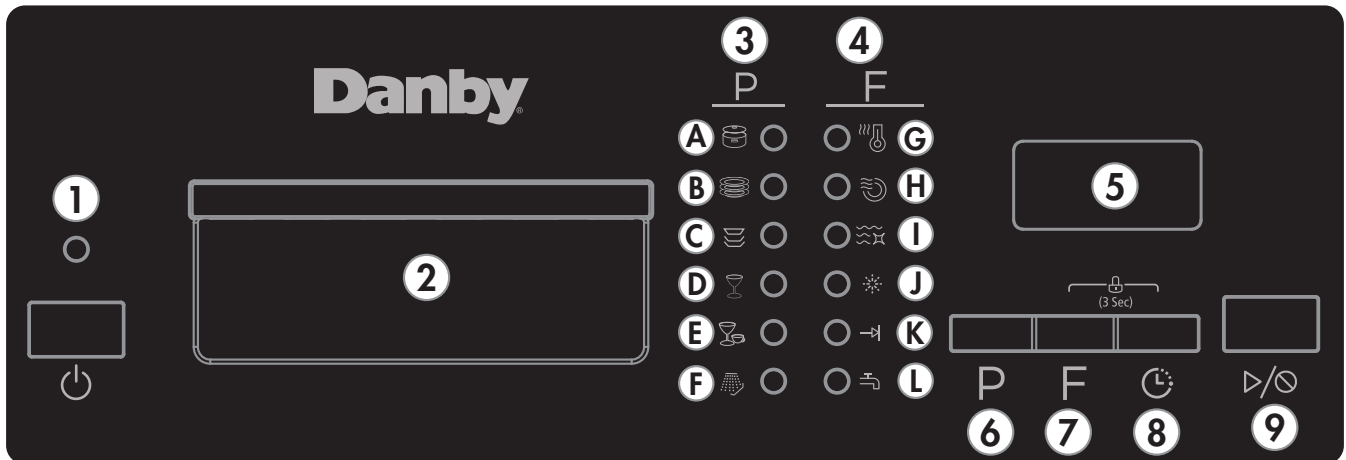
## TOE KICK INSTALLATION

Install the toe kick on the bottom of the appliance.



# OPERATING INSTRUCTIONS

## CONTROL PANEL



- 1. Power button:** Use to turn the appliance on or off.
- 2. Handle**
- 3. Programs:** The light will illuminate to show which program has been selected.
  - A: Heavy wash**
  - B: Normal wash**
  - C: ECO wash**
  - D: Glass wash**
  - E: Rapid wash**
  - F: Rinse**
- 4. Features:** The light will illuminate to show which features have been selected.
  - G: High temp wash** - water temperature will be maintained at 60°C (140°F)
  - H: Heated dry** - the heater will operate during the drying cycle
  - I: Sanitize** - water temperature will be maintained at 69°C (156°F)
  - J: Rinse aid indicator light** - light will illuminate when the rinse aid dispenser is empty
  - K: Cycle end indicator light** - light will illuminate when the program is finished
  - L: Faucet warning indicator light** - light will illuminate when the appliance is not receiving enough water; turn on the nearby water faucet to correct the water flow
- 5. Display screen:** Shows the remaining running time in the current program.
- 6. Program button:** Press to select the desired program.
- 7. Features button:** Press to select the desired features.
- 8. Timed delay button:** Press to set the desired time delay.
- 9. Start/Cancel button:** Press to start the desired program. Press to cancel a program which it is in operation.



## OPERATING INSTRUCTIONS

**WASH CYCLE TABLE** Press the program button to select the desired wash program.

**Note:** Cycle times are approximate and will vary based on the options selected.

Program	Cycle Description	Cycle Breakdown	Running Time	Water Use
Heavy	For heavily soiled loads such as pots and pans	Pre-Wash Wash (60°C) Rinse (65°C) Rinse (with sani 69°C) Drying	155 minutes	21.5 litres (5.7 gallons)
Normal	For normally soiled loads; standard daily cycle	Pre-Wash Wash (50-55°C) Rinse (58-60°C) Rinse (with sani 69°C) Drying	100~130 minutes	10.5~21.5 litres (2.8~5.7 gallons)
ECO	Energy conserving cycle for lightly soiled loads	Pre-Wash Wash (45-50°C) Rinse (50-55°C) Rinse (with sani 69°C) Drying	115 minutes	18 litres (4.8 gallons)
Glass	For lightly soiled glassware	Pre-Wash Wash (48-50°C) Rinse (50-55°C) Drying	105 minutes	18 litres (4.8 gallons)
Rapid	A fast cycle for lightly soiled loads	Pre-wash Wash (50°C) Rinse (50°C)	60 minutes	14 litres (3.7 gallons)
Rinse	Rinse cycle only	Pre-Wash Wash	20 minutes	7.5 litres (2 gallons)

### SMART WASH SYSTEM

This appliance is equipped with a Smart Wash System. When a partial load of lightly soiled dishes is placed in the appliance, a wash cycle similar to a short wash will automatically be performed.

When a full load of heavily soiled dishes is placed in the appliance, a heavy wash cycle will automatically be performed.

When a cycle is running, the remaining time could suddenly increase or drop several minutes. This indicates that the Smart Wash System has checked the soil level and determined in additional water fills are needed or if water fills can be deleted.

### CHILD LOCK FUNCTION

Press and hold the features button and the time delay button for three seconds to engage the child lock function. The display screen will show a lock icon and the buttons on the control panel will not respond. Press and hold the features button and the time delay button for three seconds to disengage the child lock function.

## OPERATING INSTRUCTIONS

### LOADING THE DISHWASHER

- Scrape all dishes to remove any large food residue before placing in this appliance.
- Only place dishes in this appliance that are marked as dishwasher safe.
- Use a mild detergent.

#### Items that should not be placed in a dishwasher

- Cutlery with wooden, bone china or mother-of-pearl handles.
- Plastic items that are not heat resistant.
- Items that have been repaired with glue that is not heat resistant.
- Pewter, copper or steel items.
- Wooden platters.
- Items made from synthetic fibers.
- Items with glazed patterns may fade if machine washed frequently.

#### Tips for efficient loading

- Load hollow items such as cups, glasses or pans with the opening downward so that water cannot collect in the container.
- Items must not lie inside one another or cover one another.
- To avoid damage to glasses, they should not touch.
- Sharp items of cutlery such as carving knives should be loaded horizontally in the basket to avoid injury when unloading.
- Do not overload the appliance.

### LOADING THE CUTLERY BASKET

Cutlery should be placed in the cutlery basket with the handles facing down. Ensure that cutlery items do not nest inside of one another as this can affect cleaning performance.

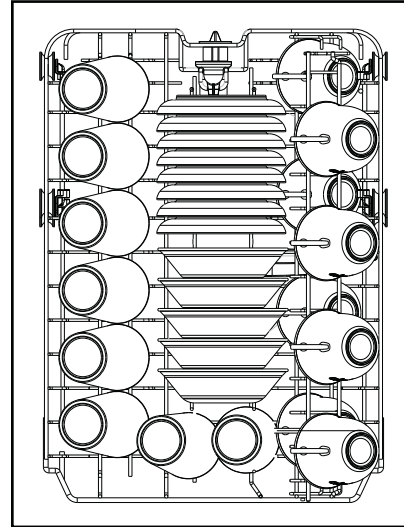
Sharp or pointed items should be placed in the cutlery basket with points facing down to avoid injury when unloading.

Do not place excessively small items into the dishwasher as they could fall through the basket and impact the operation of the appliance.

### LOADING THE UPPER BASKET

The upper basket is designed for cups, glasses, small plates, bowls and plastic items that are marked dishwasher safe.

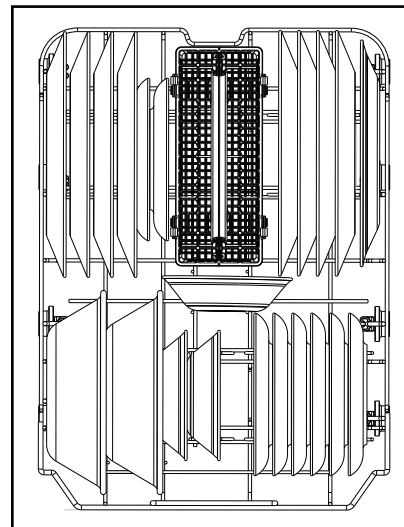
Make sure the loaded dishes do not interfere with the rotation of the spray arm located on the bottom of the upper basket.



### LOADING THE LOWER BASKET

The lower basket is designed for dinner dishes, soup bowls, plates, pots, lids, casserole dishes and plates.

Load large items such as pans and pots should be loaded with their open sides facing downwards.

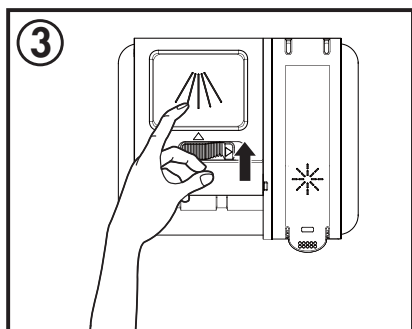
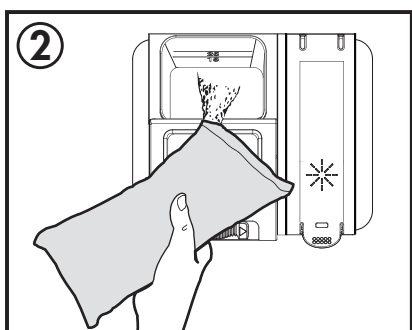
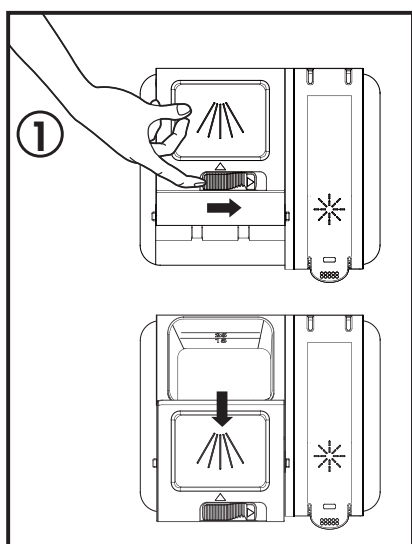


## OPERATING INSTRUCTIONS

### DETERGENT DISPENSER

The detergent dispenser must be filled before the start of each wash cycle. Add the detergent just before starting the wash cycle. Adding the detergent to the appliance too soon can cause it to become damp and it may not dissolve properly.

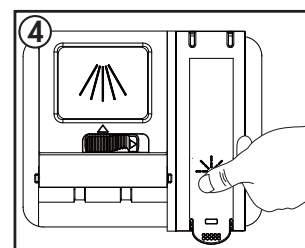
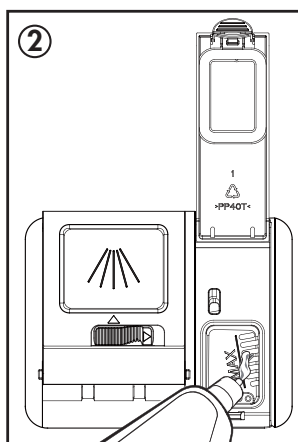
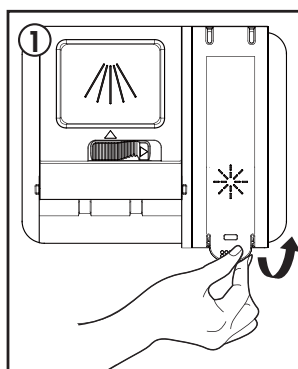
1. If the detergent dispenser is closed, press the latch to open it.
2. Add the recommended amount of detergent to the main detergent component.
3. Close the flap by sliding it to the left and pressing down.



### RINSE AID DISPENSER

Rinse aid can be used to prevent water droplets or streaks from forming on dishes. The rinse aid will be released automatically during the final rinse. This appliance is designed to use liquid rinse aid only. Do not use a powdered rinse aid as it will clog the reservoir opening. Do not put any other substance in the rinse aid dispenser as this can damage the appliance.

1. Open the rinse aid dispenser by lifting the lid.
2. Use the viewing port when filling the rinse aid reservoir. Do not fill the reservoir above the full level indicator.
3. If the display screen shows "LSb", the rinse aid dispenser is empty.
4. Close the rinse aid cap by pressing down.



**STARTING A WASH CYCLE**

1. Load the dishwasher as per the loading instructions.
2. Add detergent and rinse aid as required.
3. Close the dishwasher door and press the power button to turn on the appliance.
4. Press the Program button repeatedly to choose the desired wash program. The programs will cycle in the following order: Heavy -> Normal -> ECO -> Glass -> Rapid -> Rinse
5. Press the Options button to select the desired options.
6. Run the hot water faucet nearest the appliance until the water is hot and then turn it off.
7. Press the Start/Pause button to begin the cycle.

**Note:** When a wash program is finished the appliance will buzz 8 times and END will appear on the display screen.

**ADDING A FORGOTTEN DISH**

A forgotten dish can be added to a running cycle any time before the detergent dispenser has opened. If the detergent has already been released into the appliance, it is recommended not to add more dishes as they will not receive adequate cleaning.

To add a dish:

1. Open door slightly and wait a few seconds until the wash action stops before completely opening.
2. Add the forgotten item.
3. Close the door firmly to latch within 4 seconds and the cycle will automatically resume.

**Caution:** Wait until wash action completely stops before opening the door. Hot water may splash out of the dishwasher and can cause injury.

**CLEANING**

- After every wash, leave the door slightly open so that moisture and odors are not trapped inside the appliance.
- Only use a soft cloth and mild detergent to clean the appliance. Never use solvents or abrasive cleaning agents as this can damage the appliance.
- To remove water spots from the interior of the appliance, use a soft cloth dampened with a small amount of vinegar.
- If the appliance will not be used for a long period of time, it is recommended to run a normal wash cycle with the dishwasher empty and then leave the door open until the interior of the appliance is completely dry. This will help the door seals last longer and will help prevent odors from forming inside the appliance.
- Clean the door seals with a damp sponge regularly to prevent odors from food particles that can become trapped in the door seal.

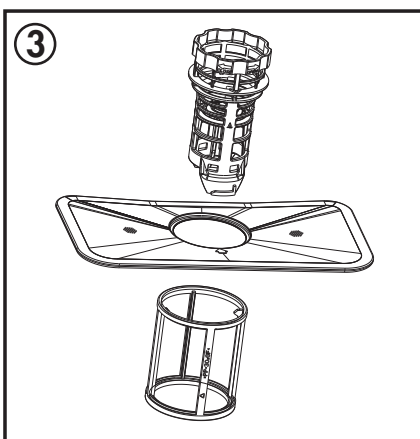
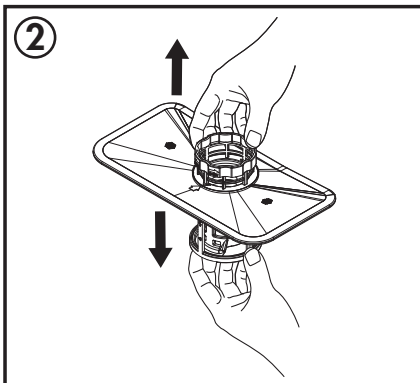
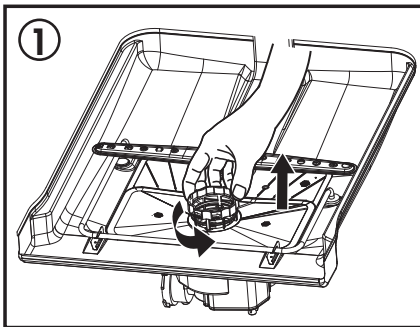
## CARE & MAINTENANCE

### FILTER SYSTEM

The filter system removes food particles from the wash water and traps them. It is highly recommended to empty and clean the filters after every wash cycle.

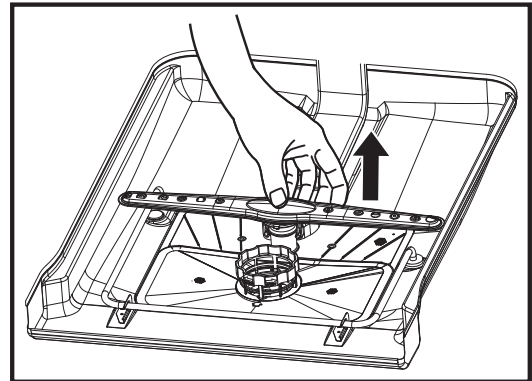
To clean the filter system:

1. Turn off the dishwasher. Turn the filter and lift upwards to remove the filter system from the appliance.
2. Rotate the filter insert counterclockwise to unfasten and then detach the filter insert.
3. Rinse and clean the filters with water and replace them inside the appliance.



### SPRAY ARM

The spray arm can be removed from the appliance by pulling gently upwards. Rinse the spray arm with warm water to remove any debris that can clog the nozzles. Replace the spray arm in the appliance by pushing downward until it clicks into place. Ensure that the spray arm movement is not impeded before running another cycle.



### ERROR CODES

**E1:** Water intake is restricted or water pressure is too low.

**E3:** Malfunction of heating element

**E4:** Water overflow

If the appliance displays any error code, a power reset may resolve the issue. Unplug the appliance, wait approximately 5 minutes and then plug the unit back in.

## TROUBLESHOOTING

**Danby Consumer Care: 1-800-263-2629**

**Hours of operation:**

Monday to Thursday 8:30 am - 6:00 pm Eastern Standard Time

Friday 8:30 am - 4:00 pm Eastern Standard Time

Information in this manual is subject to change without notice.

PROBLEM	POSSIBLE CAUSE
<b>No power</b>	<ul style="list-style-type: none"> <li>• A fuse may be blown or the circuit breaker tripped</li> <li>• Power surge</li> <li>• Plug not fully inserted into the wall outlet</li> <li>• Door not closed correctly</li> </ul>
<b>Water not drained from dishwasher</b>	<ul style="list-style-type: none"> <li>• Kink in drain hose</li> <li>• Filter clogged</li> <li>• Drain pump malfunction</li> </ul>
<b>Detergent left in the dispenser</b>	<ul style="list-style-type: none"> <li>• Dishes blocking dispenser from fully opening; unit may be over loaded</li> </ul>
<b>Suds left in the appliance</b>	<ul style="list-style-type: none"> <li>• Too much detergent or wrong kind of detergent</li> <li>• Too much rinse aid</li> </ul>
<b>White film or cloudiness on dishes or interior tub</b>	<ul style="list-style-type: none"> <li>• Hard water minerals</li> <li>• Too much detergent</li> <li>• Not enough rinse aid</li> </ul>
<b>Noise inside the tub while running</b>	<ul style="list-style-type: none"> <li>• The spray arm is hitting an item in the basket</li> <li>• An item has fallen out of the basket and is on the bottom of the wash tub</li> </ul>
<b>Dishes are not clean</b>	<ul style="list-style-type: none"> <li>• Dishes were loaded incorrectly</li> <li>• The wash program was not powerful enough</li> <li>• Not enough detergent</li> <li>• Items are blocking the spray arm; unit may be over loaded</li> <li>• Filter clogged</li> </ul>
<b>Dishes are not drying</b>	<ul style="list-style-type: none"> <li>• Dishes were loaded incorrectly</li> <li>• Too many dishes were loaded</li> <li>• Not enough rinse aid</li> <li>• Dishes removed too quickly</li> </ul>

## LIMITED "IN HOME" WARRANTY

This quality product is warranted to be free from manufacturer's defects in material and workmanship, provided that the unit is used under the normal operating conditions intended by the manufacturer.

This warranty is available only to the person to whom the unit was originally sold by Danby Products Limited (Canada) or Danby Products Inc. (U.S.A.) (hereafter "Danby") or by an authorized distributor of Danby, and is non-transferable.

### TERMS OF WARRANTY

Plastic parts are warranted for thirty (30) days from the date of purchase, with no extensions provided.

**First 12 months** During the first **twelve (12) months**, any functional parts of this product found to be defective, will be repaired or replaced, at warrantor's option, at no charge to the original purchaser.

**To obtain service** Contact the dealer where the unit was purchased, or contact the nearest authorized Danby service depot, where service must be performed by a qualified service technician. If service is performed on the unit by anyone other than an authorized service depot, all obligations of Danby under this warranty shall be void.

**Boundaries of in-home service** Danby reserves the right to limit the boundaries of "In Home Service" to the proximity of an authorized service depot. Any appliance requiring service outside the limited boundaries of "In Home Service", will be the consumer's responsibility to transport at their own expense to the original point of purchase or a service depot for repair. If the appliance is installed in a location that is **100 kilometers (62 miles)** or more from the nearest service center, it must be delivered to the nearest authorized Danby Service Depot by the purchaser.

Transportation charges to and from the service location are not protected by this warranty and are the responsibility of the purchaser.

Nothing within this warranty shall imply that Danby will be responsible or liable for any spoilage or damage to food or other contents of this appliance, whether due to any defect of the appliance, or its use, whether proper or improper.

### EXCLUSIONS

Save as herein provided, by Danby, there are no other warranties, conditions, representations or guarantees, express or implied, made or intended by Danby or its authorized distributors and all other warranties, conditions, representations or guarantees, including any warranties, conditions, representations or guarantees under any Sale of Goods Act or like legislation or statute is hereby expressly excluded. Save as herein provided, **Danby shall not be responsible for any damages to persons or property, including the unit itself, howsoever caused or any consequential damages arising from the malfunction of the unit and by the purchase of the unit, the purchaser does hereby agree to indemnify and hold harmless Danby from any claim for damages to persons or property caused by the unit.**

### GENERAL PROVISIONS

No warranty or insurance herein contained or set out shall apply when damage or repair is caused by any of the following:

- 1) Power failure.
- 2) Damage in transit or when moving the appliance.
- 3) Improper power supply such as low voltage, defective house wiring or inadequate fuses.
- 4) Accident, alteration, abuse or misuse of the appliance such as inadequate air circulation in the room or abnormal operating conditions (ie. extremely high or low room temperature).
- 5) Use for commercial or industrial purposes (ie. If the appliance is not installed in a domestic residence).
- 6) Fire, water damage, theft, war, riot, hostility, acts of God such as hurricanes, floods etc.
- 7) Service calls resulting in customer education.
- 8) Improper Installation (ie. Building-in of a free standing appliance or using an appliance outdoors that is not approved for outdoor application, including but not limited to: garages, patios, porches or anywhere that is not properly insulated or climate controlled).

Proof of purchase date will be required for warranty claims; retain bills of sale. In the event that warranty service is required, present the proof of purchase to our authorized service depot.

**Warranty Service  
In Home**

Danby Products Limited  
PO Box 1778, Guelph, Ontario, Canada N1H 6Z9  
Telephone: (519) 837-0920 FAX: (519) 837-0449

**1-800-263-2629**  
04/17

Danby Products Inc.  
PO Box 669, Findlay, Ohio, U.S.A. 45840  
Telephone: (419) 425-8627 FAX: (419) 425-8629

# Bienvenue

Bienvenue à la famille Danby. Nous sommes fiers de la qualité de nos produits et nous croyons en le service fiable. Nous vous suggérons de lire ce manuel d'utilisation avant de brancher votre nouvel appareil car il contient des informations importantes sur l'utilisation, la sécurité, le dépannage et la maintenance, afin d'assurer la fiabilité et la longévité de votre appareil.

Visitez [www.Danby.com](http://www.Danby.com) pour accéder aux outils d'autoservice, aux FAQ et bien plus encore. Pour obtenir de l'aide supplémentaire, composez **1-800-263-2629**.

**Notez les informations ci-dessous; Vous aurez besoin de cette information pour obtenir un service sous garantie.**

**Vous devez fournir le reçu d'achat original pour valider votre garantie et recevoir le service.**

**Numéro de modèle:** \_\_\_\_\_

**Numéro de serie:** \_\_\_\_\_

**Date d'achat:** \_\_\_\_\_

## Besoin d'assistance?

Avant d'appeler pour service, voici quelques choses que vous pouvez faire pour nous aider à mieux vous servir.

### **Lire ce manuel du propriétaire:**

Il contient des instructions pour vous aider à utiliser et à maintenir votre appareil correctement.

### **Si vous recevez un appareil endommagé:**

Contactez immédiatement le revendeur ou l'entrepreneur qui vous a vendu l'appareil.

### **Gagnez du temps et de l'argent:**

Avant d'appeler pour service, consultez la section de dépannage à la fin de ce manuel. Cette section vous aidera à résoudre les problèmes courants pouvant survenir.



1-800-26- Danby  
(1-800-263-2629)





## Consignes de sécurité importantes

### LIRE ET SUIVRE TOUTES LES INSTRUCTIONS DE SÉCURITÉ

#### INSTRUCTIONS DE MISE À LA TERRE

Cet appareil doit être mis à la terre. En cas de court-circuit, la mise à la terre réduit les risques de décharge électrique en fournissant un échappatoire au courant électrique.

Cet appareil est équipé d'un cordon doté d'un fil de mise à la terre et d'une prise de mise à la terre. Le cordon d'alimentation doit être branché sur une prise correctement mise à la terre. Si la sortie est une prise murale à 2 broches, il est de votre responsabilité de la remplacer par une prise murale à 3 broches correctement mise à la terre. La plaque signalétique en série indique la tension et la fréquence auxquelles l'appareil est conçu.

**AVERTISSEMENT** - Une utilisation incorrecte de la fiche de mise à la terre peut entraîner un risque de choc électrique. Consultez un électricien qualifié ou un agent de service si les instructions de mise à la terre ne sont pas complètement comprises, ou s'il existe un doute quant à savoir si l'appareil est correctement mis à la terre.

#### N'UTILISER JAMAIS DE FIL DE RALLONGE

Ne connectez pas votre appareil aux rallonges ou avec un autre appareil dans la même prise murale. Ne pas épisser le cordon d'alimentation. Ne coupez ou retirez en aucun cas la troisième broche du cordon d'alimentation.

Si le cordon d'alimentation est endommagé, il doit être remplacé par le fabricant, son agent de service ou une personne qualifiée similaire afin d'éviter tout risque.

Assurez-vous que les composants sont remplacés par des composants similaires et que l'entretien est effectué par le personnel de maintenance autorisé en usine pour minimiser le risque d'allumage en raison de pièces incorrectes ou d'un service incorrect.

Cet appareil n'est pas destiné à être utilisé par des personnes (y compris des enfants) dont les capacités physiques, sensorielles ou mentales peuvent être différentes ou réduites, ou qui ont de l'expérience ou des connaissances, à moins que ces personnes ne soient surveillées ou formées pour faire fonctionner l'appareil par une personne responsable de leur sécurité.

#### EXIGENCES DE SÉCURITÉ

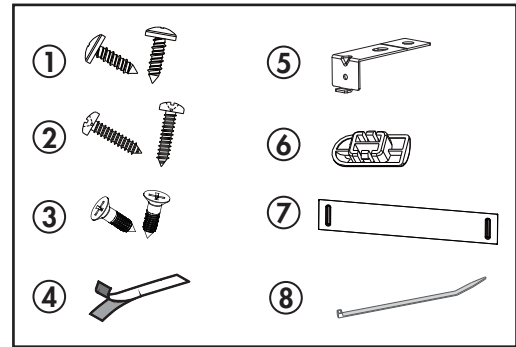
- Les enfants devraient être surveillés pour s'assurer qu'ils ne jouent pas avec l'appareil.
- Ne pas tenir debout, assis ou appuyer sur la porte ou le porte-vaisselle. Ne placez pas d'objets lourds sur la porte lorsqu'il est ouvert.
- Ne pas toucher l'élément chauffant pendant ou immédiatement après l'utilisation.
- Ne faites pas fonctionner l'appareil à moins que tous les panneaux de l'enceinte ne soient correctement installés.
- Ouvrez la porte avec précaution pendant le fonctionnement, l'eau peut fuir. Procéder avec prudence car l'eau peut être chaude.
- Ne pas laver les articles en plastique à moins qu'ils soient marqués comme étant au lave-vaisselle.
- Utilisez uniquement des additifs de détergence et de rinçage conçus pour un lave-vaisselle automatique.
- N'utilisez jamais de savon, détergent à lessive ou détergent à la main dans le lave-vaisselle.
- Garder le détergent et le rinçage hors de la portée des enfants.
- Vérifiez que le distributeur de détergent est vide après la fin du cycle de lavage.
- Les détergents de la lave-vaisselle sont fortement alcalins et peuvent être extrêmement dangereux en cas d'ingestion. Éviter le contact avec la peau et les yeux.
- Retirez la porte de l'appareil en cas de démontage ou de rejet.
- La pression maximale d'eau d'entrée autorisée est de 0.04 - 1 Mpa.
- La température d'entrée d'alimentation en eau doit être comprise entre 48 - 65°C (120 - 149°F).

**GARDER CES INSTRUCTIONS!**

# INSTRUCTIONS D'INSTALLATION

## ACCESSOIRES

1. Vis ST3.5\*9 pour le support d'installation (x2)
2. Vis ST3.9\*13 pour la plaque de protection (x2)
3. Vis ST4\*14 pour l'accolade d'installation (x2)
4. Bande de condensation
5. Support d'installation (x2)
6. Bouchons de réglage (x2)
7. Plaque de protection
8. Serre-câble pour fixer le tuyau de vidange



## ENCLOSURE

L'emplacement d'installation doit avoir un sol solide capable de supporter l'appareil lorsqu'il est complètement chargé et rempli d'eau. L'emplacement doit être à moins de 3 mètres d'un évier avec un accès facile à l'alimentation en eau, au drain et à une prise électrique. L'emplacement doit avoir suffisamment d'espace devant pour que la porte s'ouvre à 90° afin que le lave-vaisselle puisse être chargé.

L'enceinte d'installation doit avoir les dimensions suivantes: 23,6 pouces (60 cm) de largeur sur 32,5 pouces (82,5 cm) de hauteur sur 22,8 pouces (58 cm) de profondeur. Il doit y avoir moins de 5 mm entre le haut du lave-vaisselle et le meuble et la porte du lave-vaisselle doit être alignée avec la face du meuble.

Si nécessaire, découpez des trous dans les armoires environnantes pour accéder aux connexions d'eau et d'alimentation.

## INSTRUCTIONS DE RACCORDEMENT À L'EAU

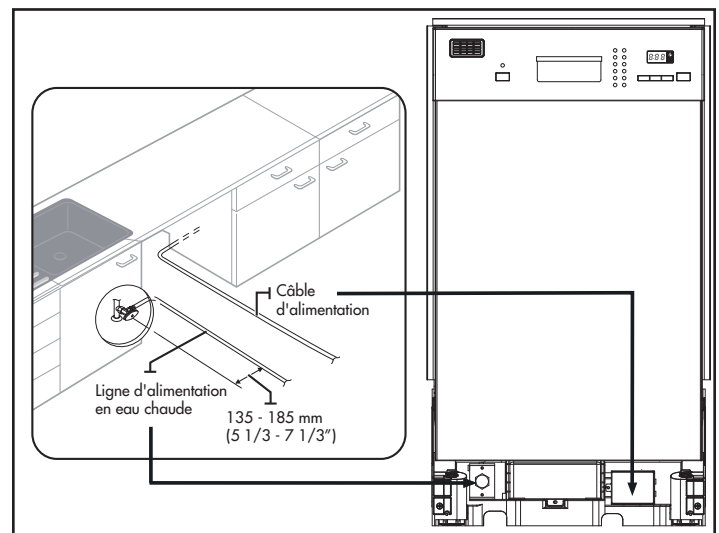
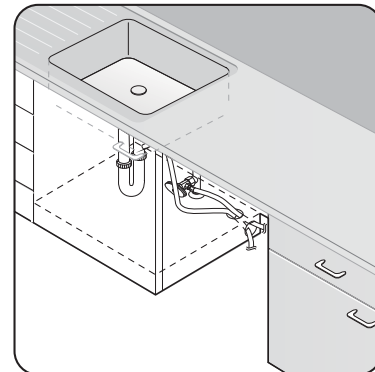
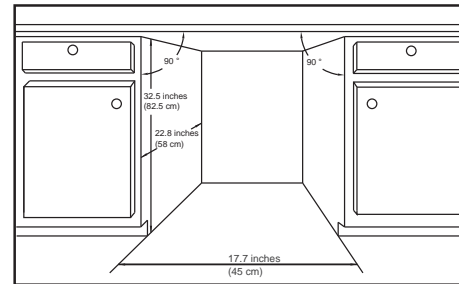
La pression de la conduite d'alimentation en eau chaude doit être comprise entre 0,04 et 1 MPa.

La température d'entrée d'alimentation en eau doit être comprise entre 48 et 65°C (120 et 149°F). Assurez-vous que la température de l'eau ne dépasse pas 65°C (149°F) pour éviter d'endommager la vaisselle.

Assurez-vous que le disjoncteur et la vanne d'alimentation en eau sont éteints avant de raccorder la conduite d'alimentation en eau chaude au lave-vaisselle.

Le câble d'alimentation se connecte à la boîte de jonction sur le côté avant droit de l'appareil. La conduite d'alimentation en eau chaude se raccordera à l'orifice d'eau sur le côté avant gauche de l'appareil.

**Remarque:** Il est recommandé de n'utiliser que de l'eau douce dans l'appareil pour obtenir les meilleurs résultats de lavage.

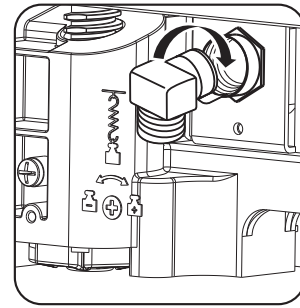


# INSTRUCTIONS D'INSTALLATION

## Connexion de la ligne d'eau chaude

Faites passer la ligne d'eau chaude dans le canal sur le côté inférieur gauche de l'appareil. Assurez-vous que la ligne d'eau chaude n'est pas tordue, puis connectez-la à l'arrière de l'appareil en utilisant un coude. Utilisez du ruban téflon ou un produit d'étanchéité sur la connexion pour éviter les fuites.

Ne pas trop serrer le coude à 90°. Cela peut endommager l'entrée d'eau et provoquer une fuite.



## Connexion de la ligne de vidange

Le tuyau de vidange se raccordera à la pompe de vidange située au bas de l'appareil. Exécutez la ligne de vidange dans le même canal sur le fond de l'appareil que la ligne d'eau chaude. Assurez-vous qu'il n'y a rien à l'intérieur du tuyau de vidange et qu'il ne se déchire pas pendant le processus d'installation.

Il existe plusieurs façons de raccorder le tuyau d'évacuation en fonction de la configuration de l'évier. Passez en revue les différentes façons de relier le système de vidange et choisissez la méthode qui convient le mieux à l'application. Les codes locaux peuvent nécessiter l'installation d'un kit d'entrefer. Vérifiez auprès d'un plombier qualifié s'il y a un doute.

1. Espace d'air
2. Espace d'air avec élimination des déchets
3. Pas d'espace d'air
4. Pas d'espace d'air avec élimination des déchets

Utilisez un connecteur en caoutchouc pour connecter les tuyaux de vidange et les colliers de serrage sur tous les points de connexion.

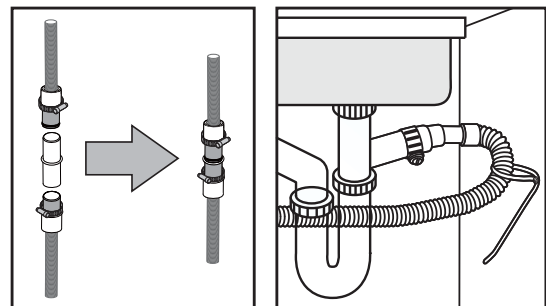
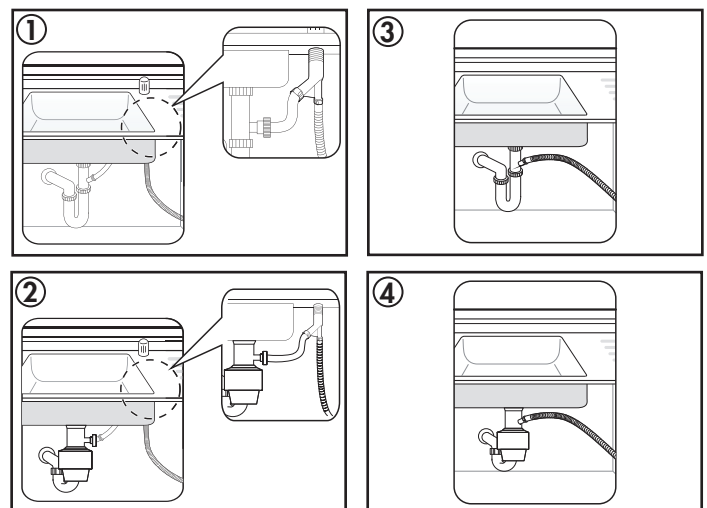
Fixez le tuyau de vidange au mur de l'évier en utilisant des colliers de serrage ou d'autres matériaux de fixation. S'il n'est pas fixé, le tuyau de vidange risque de se plier, entraînant des problèmes de drainage.

Le diamètre interne du tuyau de vidange est de 21 mm (0,8 pouce).

Le haut du tuyau de vidange doit être à moins de 100 cm (39 pouces) du sol.

Si le tuyau de vidange n'est pas enroulé, l'eau peut siphonner pendant un cycle de lavage.

Les coudes du tuyau de vidange doivent être soutenus de sorte que le tuyau ne plie pas ou ne plie pas.



## INSTRUCTIONS D'INSTALLATION

### INSTRUCTIONS DE CONNEXION DE CÂBLAGE

Avant de connecter le câble d'alimentation au lave-vaisselle, assurez-vous que le disjoncteur est éteint.

Dans la boîte de jonction située à l'avant en bas à droite du lave-vaisselle, trouvez les trois fils d'alimentation du lave-vaisselle, y compris la ligne de mise à la terre.

Faites passer le câble d'alimentation à travers le réducteur de tension, puis dans la boîte de jonction.

Connectez le fil noir du lave-vaisselle au fil noir du câble d'alimentation en insérant les deux dans un écrou de fil, puis en tournant le connecteur de fil.

Connectez le fil blanc au fil blanc et le vert au vert de la même manière.

Revérifiez chaque fil pour vous assurer qu'il est connecté correctement et solidement.

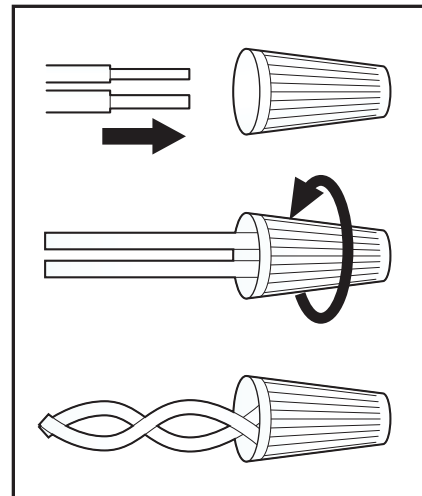
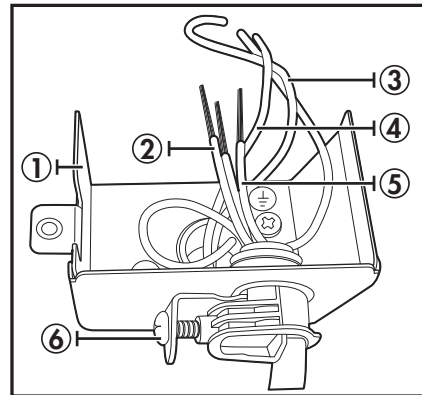
Chaque fil coloré doit être connecté au fil correspondant de la même couleur.

Le blanc doit être connecté au blanc, noir au noir et vert au vert.

Remplacez le couvercle de la boîte de jonction sur le lave-vaisselle.

Revérifiez chaque fil pour vous assurer qu'il est connecté correctement et solidement. Chaque fil coloré doit être connecté au fil correspondant de la même couleur.

1. Boîte de dérivation
2. Câble d'alimentation
3. Noir à noir
4. Blanc à blanc
5. Vert à vert (terre à terre)
6. Soulagement des contraintes



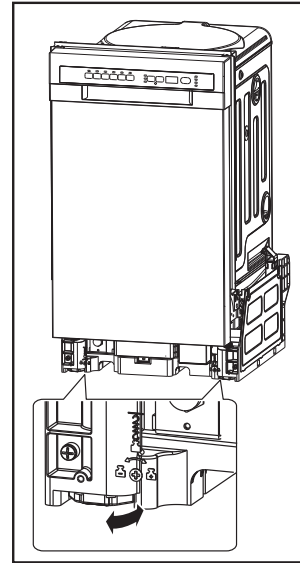
### AVERTISSEMENT RISQUE DE CHOC ÉLECTRIQUE

Pour éviter les chocs électriques, ne travaillez pas sur un circuit sous tension. Cela pourrait entraîner des blessures graves ou la mort. Pour éviter les risques d'incendie, assurez-vous que les travaux électriques sont correctement installés. Seuls les électriciens qualifiés doivent effectuer des travaux électriques.

# INSTRUCTIONS D'INSTALLATION

## INSTRUCTIONS DE NIVELLEMENT

Assurez-vous que l'appareil est de niveau avant de le placer dans le boîtier. Le pied arrière peut être réglé depuis l'avant du lave-vaisselle en tournant. Utilisez un tournevis plat pour régler les pieds avant jusqu'à ce que l'appareil soit de niveau.



## ACCOLADES D'INSTALLATION

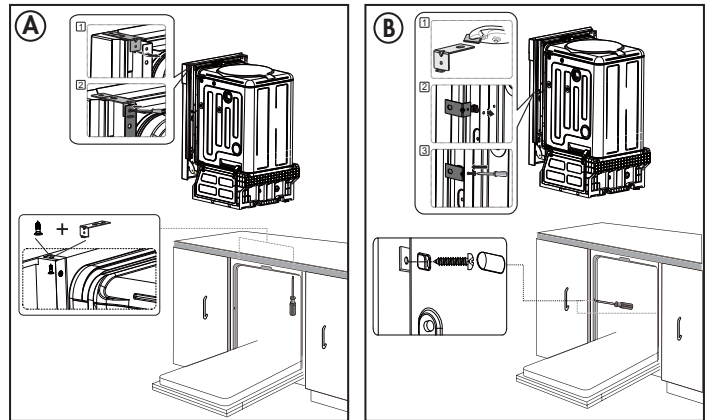
L'appareil doit être fixé avec les entretoises d'installation. Il y a deux manières différentes d'utiliser les accolades.

### A. Surface de travail normale

Mettez le crochet d'installation dans la fente du plan latéral et fixez-le à la surface de travail avec les vis à bois.

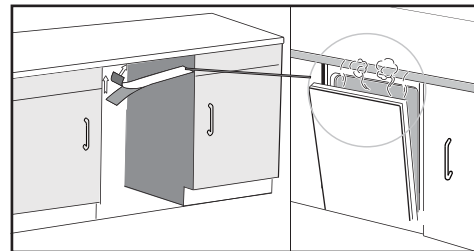
### B. Dessus de marbre ou de granit

Fixez le côté avec la vis. Placez les couvercles de vis sur les vis internes pour les protéger de l'eau.



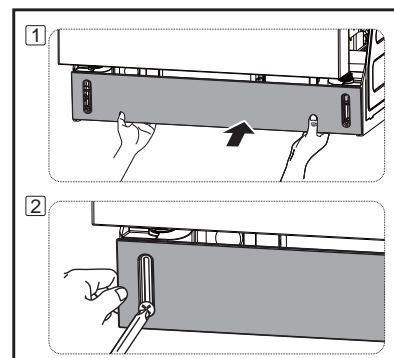
## BANDE DE CONDENSATION

Fixez la bande de condensation sous la surface de travail de l'armoire. Assurez-vous que la bande affleure le bord de la surface de travail.



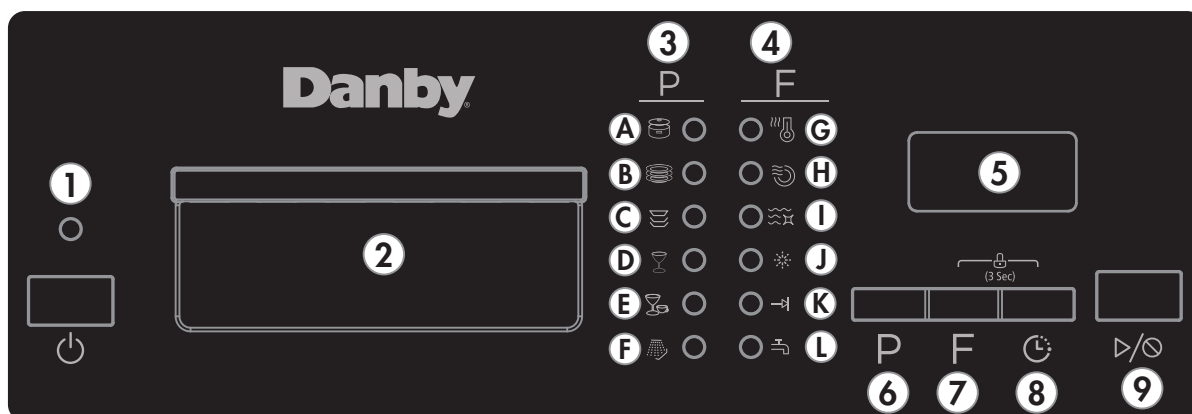
## INSTALLATION DE PLAQUE DE COUP

Installez la plaque de protection au bas de l'appareil.



# CONSIGNES D'UTILISATION

## PANNEAU DE CONTRÔLE



- 1. Bouton d'alimentation:** Permet d'allumer ou d'éteindre l'appareil.
- 2. Poignée**
- 3. Programmes:** Le voyant s'allume pour indiquer quel programme a été sélectionné.  
A: lavage lourd  
B: lavage normal  
C: lavage ECO  
D: lavage de verre  
E: lavage rapide  
F: rinçage
- 4. Caractéristiques:** La lumière va s'allumer pour montrer quelles fonctionnalités ont été sélectionnées.  
G: **Lavage à haute température** - la température de l'eau sera maintenue à 60 °C (140 °F)  
H: **Chauffée à sec** - le chauffage fonctionnera pendant le cycle de séchage  
I: **Assainir** - la température de l'eau sera maintenue à 69 °C (156 °F)  
J: **Voyant d'aide au rinçage** - la lumière s'allume lorsque le distributeur de liquide de rinçage est vide  
K: **Voyant de fin de cycle** - la lumière s'allume quand le programme est fini  
L: **Indicateur d'avertissement du robinet** - la lumière s'allume lorsque l'appareil ne reçoit pas assez d'eau; allumer le robinet d'eau à proximité pour corriger le débit d'eau
- 5. Écran d'affichage:** Affiche le temps restant dans le programme en cours.
- 6. Bouton de programme:** Appuyez pour sélectionner le programme désiré.
- 7. Bouton Caractéristiques:** Appuyez pour sélectionner les fonctions souhaitées.
- 8. Touche de temporisation:** Appuyez sur cette touche pour régler la temporisation souhaitée.
- 9. Bouton Démarrer/Pause:** Appuyez pour lancer le programme souhaité. Appuyez sur pour annuler un programme en cours.

## CONSIGNES D'UTILISATION

### TABLEAU DES CYCLES DE LAVAGE

Appuyez sur le bouton de programme pour sélectionner le programme de lavage souhaité.

**Remarque:** Les temps de cycle sont approximatifs et varient en fonction des options sélectionnées.

Programme	Description du cycle	Répartition du cycle	Temps de marche	Utilisation de l'eau
Light	Pour les charges fortement souillées telles que des pots et des casseroles	Pré-lavage Lavage (60°C) Rincer (65°C) Rincer (avec sani 69°C) Séchage	155 minutes	21.5 litres (5.7 gallons)
Normal	Pour les charges normalement souillées; Cycle quotidien standard	Pré-lavage Lavage (50-55°C) Rincer (58-60°C) Rincer (avec sani 69°C) Séchage	100~130 minutes	10.5~21.5 litres (2.8~5.7 gallons)
ECO	Cycle de conservation de l'énergie pour les charges légèrement sales	Pré-lavage Lavage (45-50°C) Rincer (50-55°C) Rincer (avec sani 69°C) Séchage	115 minutes	18 litres (4.8 gallons)
Verre	Pour verrerie légèrement sale	Pré-lavage Lavage (48-50°C) Rincer (50-55°C) Séchage	105 minutes	18 litres (4.8 gallons)
Vitesse	Un cycle rapide pour les charges légèrement souillées	Pré-lavage Lavage (50°C) Rincer (50°C)	60 minutes	14 litres (3.7 gallons)
Rincer	Cycle de rinçage uniquement	Pré-lavage Rincer	20 minutes	7.5 litres (2 gallons)

### SYSTÈME DE LAVAGE INTELLIGENT

Cet appareil est équipé d'un système de lavage intelligent. Lorsqu'une charge partielle de vaisselle légèrement sale est placée dans l'appareil, un cycle de lavage similaire à un lavage court sera automatiquement effectué.

Lorsqu'une charge complète de vaisselle très sale est placée dans l'appareil, un cycle de lavage intensif est automatiquement effectué.

Lorsqu'un cycle est en cours, le temps restant peut soudainement augmenter ou diminuer de plusieurs minutes. Cela indique que le système de lavage intelligent a vérifié le niveau du sol et qu'il est nécessaire d'ajouter d'autres remplissages d'eau ou de supprimer les remplissages d'eau.

### FONCTION DE VERROUILLAGE

Appuyez et maintenez enfoncé le bouton de fonctions et le bouton de temporisation pendant trois secondes pour activer la fonction de verrouillage parental. L'écran affiche une icône de verrouillage et les boutons du panneau de commande ne répondent pas. Appuyez et maintenez enfoncé le bouton de caractéristiques et le bouton de temporisation pendant trois secondes pour désactiver la fonction de verrouillage parental.

## CONSIGNES D'UTILISATION

### CHARGEMENT DE LA LAVE-VAISSELLE

- Mettez tous les plats au rebut pour éliminer les résidus de nourriture importants avant de les placer dans cet appareil.
- Ne placez que des plats marqués au lave-vaisselle dans cet appareil.
- Utilisez un détergent doux.

### Éléments qui ne doivent pas être placés dans un lave-vaisselle

- Couverts avec des poignées en bois, en porcelaine ou en nacre.
- Les articles en plastique qui ne sont pas résistants à la chaleur.
- Les articles qui ont été réparés avec de la colle qui ne résiste pas à la chaleur.
- Articles en étain, en cuivre ou en acier.
- Plateaux en bois
- Articles fabriqués à partir de fibres synthétiques.
- Les articles avec des motifs vitrés peuvent s'estomper si la machine est lavée fréquemment.

### Conseils pour un chargement efficace

- Chargez des articles creux tels que des tasses, des verres ou des casseroles avec l'ouverture vers le bas afin que l'eau ne puisse pas s'accumuler dans le récipient.
- Les objets ne doivent pas se trouver l'un dans l'autre ou se couvrir les uns les autres.
- Pour éviter d'endommager les lunettes, elles ne doivent pas toucher.
- Les articles tranchants de coutellerie tels que les couteaux à découper doivent être chargés horizontalement dans le panier pour éviter les blessures lors du déchargement.
- Ne surchargez pas l'appareil.

### CHARGEMENT DU PANIER À COUVERTS

Les couverts doivent être placés dans le panier à couverts avec les poignées vers le bas. Assurez-vous que les articles de coutellerie ne s'embroient pas l'un dans l'autre car cela peut affecter les performances de nettoyage.

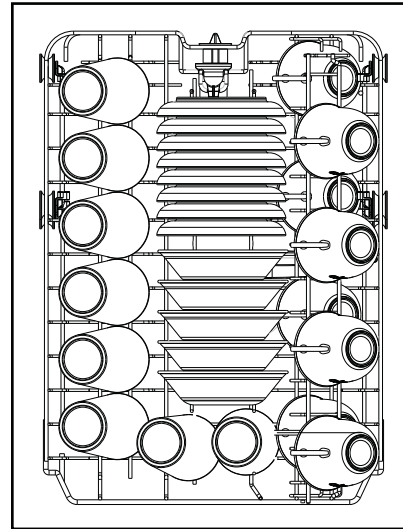
Les articles pointus ou pointus doivent être placés dans le panier à couverts avec les pointes vers le bas pour éviter les blessures lors du déchargement.

Ne placez pas d'objets trop petits dans le lave-vaisselle car ils pourraient tomber à travers le panier et nuire au fonctionnement de l'appareil.

### CHARGEMENT DU PANIER SUPÉRIEUR

Le panier supérieur est conçu pour les tasses, les verres, les petites assiettes, les bols et les articles en plastique qui sont marqués au lave-vaisselle.

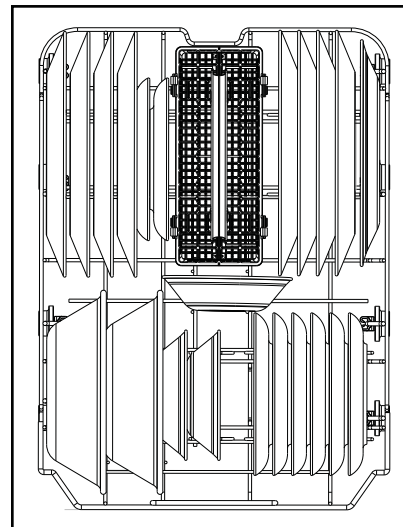
Assurez-vous que la vaisselle chargée n'interfère pas avec la rotation du bras d'aspersion situé au bas du panier supérieur.



### CHARGEMENT DU PANIER INFÉRIEUR

Le panier inférieur est conçu pour les plats de dîner, les bols à soupe, les assiettes, les casseroles, les couvercles, les plats en cocotte et les assiettes.

Chargez de grands articles tels que des casseroles et des casseroles devraient être chargés avec leurs côtés ouverts vers le bas.



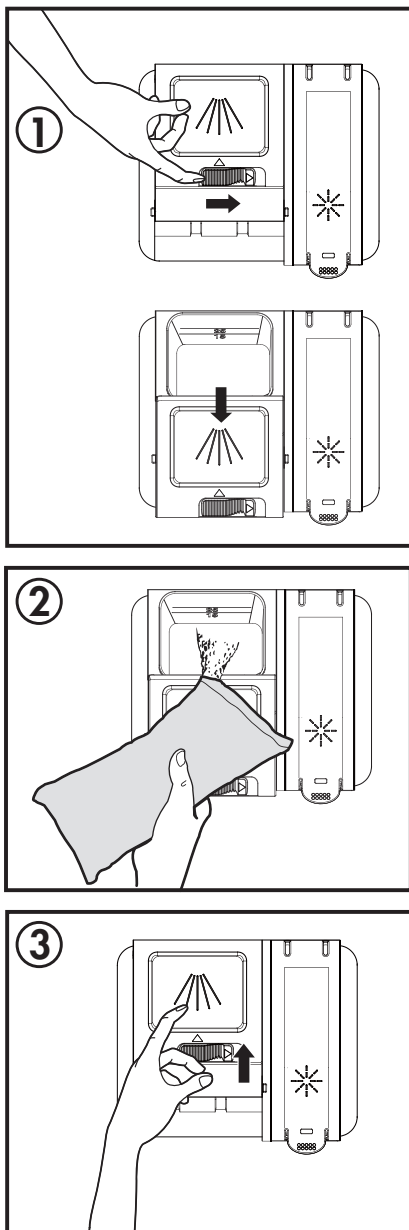


## CONSIGNES D'UTILISATION

### DISTRIBUTEUR DE DÉTERGENT

Le distributeur de détergent doit être rempli avant le début de chaque cycle de lavage. Ajoutez le détergent juste avant de commencer le cycle de lavage. L'ajout de détergent à l'appareil trop tôt peut le rendre humide et ne pas se dissoudre correctement.

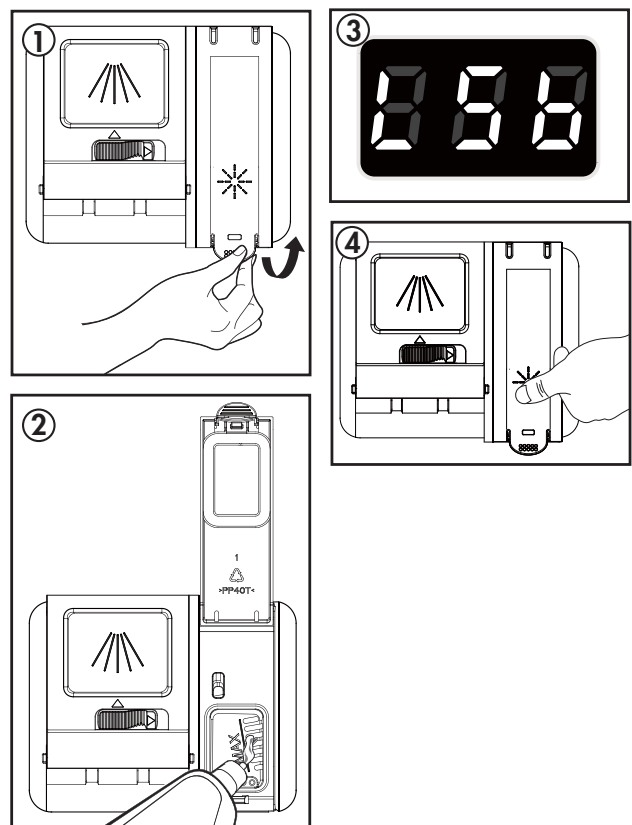
1. Si le distributeur de détergent est fermé, appuyez sur le loquet pour l'ouvrir.
2. Ajouter la quantité de détergent recommandée dans l'élément détergent principal.
3. Fermez le rabat en le faisant glisser vers la gauche et en appuyant vers le bas.



### DISTRIBUTEUR D'AGENT RINÇAGE

L'agent de rinçage peut être utilisé pour empêcher la formation de gouttelettes d'eau ou de traînées sur la vaisselle. Le produit de rinçage sera libéré automatiquement lors du rinçage final. Cet appareil est conçu pour utiliser uniquement un agent de rinçage liquide. N'utilisez pas de produit de rinçage en poudre car cela obstruerait l'ouverture du réservoir. Ne placez aucune autre substance dans le distributeur de liquide de rinçage car cela pourrait endommager l'appareil.

1. Ouvrez le distributeur de produit de rinçage en soulevant le couvercle.
2. Utilisez l'orifice de visualisation lorsque vous remplissez le réservoir de produit de rinçage. Ne remplissez pas le réservoir au-dessus de l'indicateur de niveau complet.
3. Si l'écran affiche "LSb", le distributeur de produit de rinçage est vide.
4. Fermez le bouchon du liquide de rinçage en appuyant dessus.



**COMMENCER UN CYCLE DE LAVAGE**

1. Chargez le lave-vaisselle selon les instructions de chargement.
2. Ajouter du détergent et du produit de rinçage si nécessaire.
3. Fermez la porte du lave-vaisselle et appuyez sur le bouton d'alimentation pour allumer l'appareil.
4. Appuyez plusieurs fois sur le bouton Programme pour choisir le programme de lavage souhaité. Les programmes fonctionneront dans l'ordre suivant: Lourd -> Normal -> ECO -> Verre -> Rapide -> Rinçage
5. Appuyez sur le bouton Options pour sélectionner les options souhaitées.
6. Faites couler le robinet d'eau chaude le plus près de l'appareil jusqu'à ce que l'eau soit chaude, puis éteignez-le.
7. Appuyez sur le bouton Départ/Pause pour commencer le cycle.

**Remarque:** Lorsqu'un programme de lavage est terminé, l'appareil émet 8 bips et END apparaît sur l'écran d'affichage.

**AJOUT D'UN PLAT OUBLIÉ**

Un plat oublié peut être ajouté à un cycle de fonctionnement à tout moment avant l'ouverture du distributeur de détergent. Si le détergent a déjà été libéré dans l'appareil, il est recommandé de ne pas ajouter plus de vaisselle car ils ne seront pas nettoyés correctement.

Pour ajouter un plat:

1. Ouvrez légèrement la porte et attendez quelques secondes jusqu'à ce que l'action de lavage s'arrête avant de s'ouvrir complètement.
2. Ajouter l'article oublié
3. Fermez la porte et appuyez sur le bouton de démarrage pour redémarrer le cycle.

**Mise en garde:** Attendez que l'action de lavage s'arrête complètement avant d'ouvrir la porte. De l'eau chaude peut éclabousser le lave-vaisselle et causer des blessures.

**NETTOYAGE**

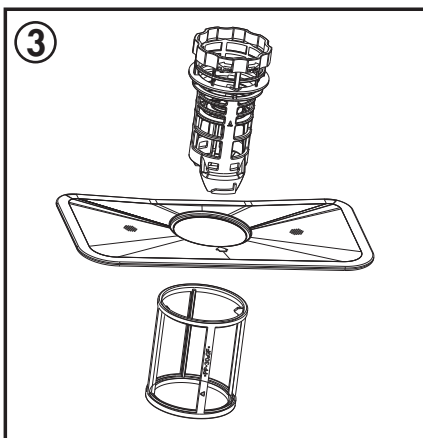
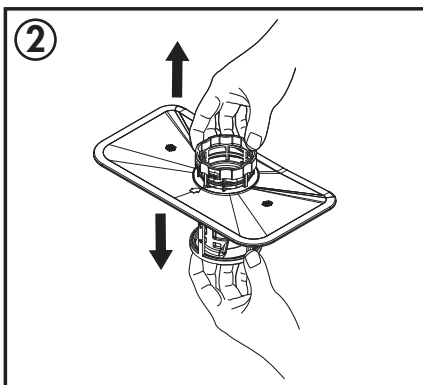
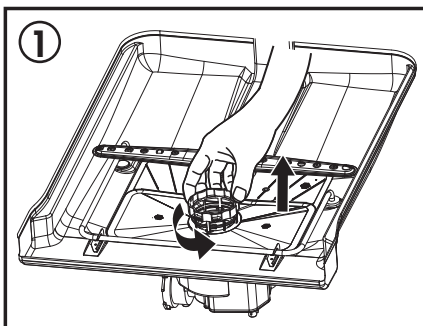
- Après chaque lavage, éteignez l'alimentation en eau et laissez la porte légèrement ouverte afin que l'humidité et les odeurs ne soient pas piégés à l'intérieur de l'appareil.
- Utilisez uniquement un chiffon doux et un détergent doux pour nettoyer l'appareil. N'utilisez jamais de solvants ou de produits abrasifs car cela pourrait endommager l'appareil.
- Pour enlever les points d'eau de l'intérieur de l'appareil, utilisez un chiffon doux humecté avec une petite quantité de vinaigre.
- Si l'appareil ne doit pas être utilisé pendant une longue période, il est conseillé d'utiliser un cycle de lavage normal avec le lave-vaisselle vide puis de laisser la porte ouverte jusqu'à ce que l'intérieur de l'appareil soit complètement sec. Cela aidera les joints de la porte à durer plus longtemps et aidera à empêcher les mauvaises odeurs de se former à l'intérieur de l'appareil.
- Nettoyez les joints de la porte avec une éponge humide régulièrement pour éviter les mauvaises odeurs des particules alimentaires qui peuvent être piégées dans le joint de la porte.

### SYSTÈME DE FILTRAGE

Le système de filtration élimine les particules de nourriture de l'eau de lavage et les emprisonne. Il est fortement recommandé de vider et de nettoyer les filtres après chaque cycle de lavage.

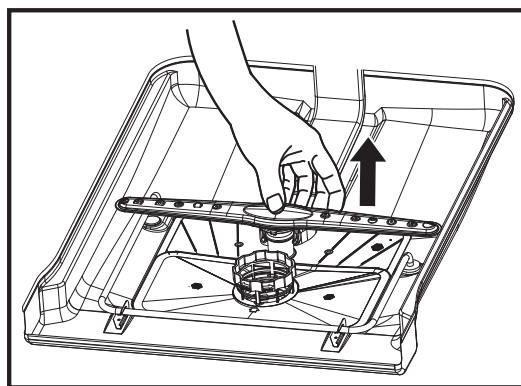
Pour nettoyer le système de filtre:

1. Éteignez le lave-vaisselle. Tournez le filtre et soulevez-le pour retirer le système de filtration de l'appareil.
2. Tournez l'insert du filtre dans le sens inverse des aiguilles d'une montre pour le détacher, puis retirez l'insert du filtre.
3. Rincez et nettoyez les filtres avec de l'eau et remplacez-les à l'intérieur de l'appareil.



### BRAS DE PULVÉRISATION

Le bras de pulvérisation peut être retiré de l'appareil en tirant doucement vers le haut. Rincez le bras de pulvérisation avec de l'eau chaude pour éliminer tout débris qui peut obstruer les buses. Remplacez le bras de pulvérisation dans l'appareil en appuyant vers le bas jusqu'à ce qu'il s'enclenche. Veillez à ce que le mouvement du bras de pulvérisation ne soit pas entravé avant d'exécuter un autre cycle.



### CODES D'ERREUR

**E1:** La prise d'eau est restreinte ou la pression de l'eau est trop faible

**E3:** Dysfonctionnement de l'élément chauffant

**E4:** Débordement d'eau

Si l'appareil affiche un code d'erreur, une réinitialisation de l'alimentation peut résoudre le problème. Débranchez l'appareil, attendez environ 5 minutes, puis rebranchez l'appareil.

## DÉPANNAGE

**Danby soins du consommateur: 1-800-263-2629**

**Heures d'ouverture:**

Lundi à Jeudi 8 h 30 à 18 h, heure normale de l'Est

Vendredi de 8 h 30 à 16 h, heure normale de l'Est

Les informations contenues dans ce manuel sont sujettes à modification sans préavis.

<b>PROBLÈME</b>	<b>CAUSE POSSIBLE</b>
<b>Aucune puissance</b>	<ul style="list-style-type: none"><li>• Un fusible peut être soufflé ou le disjoncteur a déclenché</li><li>• Surtension</li><li>• La fiche d'alimentation n'est pas complètement insérée dans la prise murale</li><li>• La porte n'est pas fermée correctement</li></ul>
<b>Eau non vidangée du lave-vaisselle</b>	<ul style="list-style-type: none"><li>• Pli dans le tuyau de vidange</li><li>• Filtre bouché</li><li>• Dysfonctionnement de la pompe de vidange</li></ul>
<b>Détergent laissé dans le distributeur</b>	<ul style="list-style-type: none"><li>• Plats bloquant le distributeur de l'ouverture complète; L'appareil peut être surchargé</li></ul>
<b>Suds laissés dans l'appareil</b>	<ul style="list-style-type: none"><li>• Trop de détergent ou mauvais type de détergent</li><li>• Trop d'agent rinçage</li></ul>
<b>Film blanc ou nébuleuse sur la vaisselle ou l'intérieur du lave-vaisselle</b>	<ul style="list-style-type: none"><li>• Minéraux d'eau dure</li><li>• Trop de détergent</li><li>• Pas assez d'agent de rinçage</li></ul>
<b>Le bruit à l'intérieur de l'appareil lors de l'exécution</b>	<ul style="list-style-type: none"><li>• Le bras de pulvérisation frappe un article dans le panier</li><li>• Un objet est tombé du panier et se trouve au fond du bac de lavage</li></ul>
<b>Les plats ne sont pas propres</b>	<ul style="list-style-type: none"><li>• Les plats ont été mal chargés</li><li>• Le programme de lavage n'était pas assez puissant</li><li>• Pas assez de détergent</li><li>• Les éléments bloquent le bras de pulvérisation; L'appareil peut être surchargé</li><li>• Filtre bouché</li></ul>
<b>Les plats ne sont pas séchés</b>	<ul style="list-style-type: none"><li>• Les plats ont été mal chargés</li><li>• Trop de plats ont été chargés</li><li>• Pas assez d'agent de rinçage</li><li>• Les plats ont été enlevés trop rapidement</li></ul>

## GARANTIE LIMITÉE "À DOMICILE"

Cet appareil de qualité est garanti exempt de tout vice de matière première et de fabrication, s'il est utilisé dans les conditions normales recommandées par le fabricant.

Cette garantie n'est offerte qu'à l'acheteur initial de l'appareil vendu par Danby Products Limited (Canada) ou Danby Products Inc. (E.-U.A.) (ci-après « Danby ») ou par l'un des ses distributeurs agréés et elle ne peut être transférée.

### CONDITIONS

Les pièces en plastique sont garanties pendant trente (30) jours seulement à partir de la date de l'achat, sans aucune prolongation prévue.

**Premiers 12 mois** Pendant les premiers **douze (12) mois**, toutes les pièces fonctionnelles de ce produit qui s'avèrent défectueuses seront réparées ou remplacées, selon le choix du garant, sans frais à l'acheteur initial.

**Pour bénéficiaire du service** S'adresser au détaillant qui a vendu l'appareil, ou à la station technique agréée de service la plus proche, où les réparations doivent être effectuées par un technicien qualifié. Si les réparations sont effectuées par quiconque autre que la station de service agréée ou à des fins commerciales, toutes les obligations de Danby en vertu de cette garantie seront annulées.

**Limites de l'entretien à domicile** Danby se réserve le droit de limiter les limites de "Service au domicile" à proximité d'un dépôt de service agréé. Tout appareil nécessitant un service en dehors des limites de "Service à domicile" sera la responsabilité du consommateur de transporter l'appareil à leur propres frais le point d'achat original ou un dépôt de service pour réparation. Si l'appareil est installé à plus de **100 kilomètres (62 milles)** du centre de service le plus proche, il doit être livré à l'atelier de réparation autorisé par Danby le plus proche, car l'entretien doit uniquement être réalisé par un technicien qualifié et certifié pour effectuer un entretien couvert par la garantie de Danby.

Les frais de transport entre votre domicile et le lieu de l'entretien ne sont pas couverts par la présente garantie et doivent être acquittés par l'acheteur.

Aucune partie de la garantie ne prévoit implicitement que le fabricant sera tenu responsable des dommages subis par les aliments ou d'autres types de contenu, qu'ils soient causés par la défectuosité de l'appareil ou par son usage adéquat ou inadéquat.

### EXCLUSIONS

En vertu de la présente, il n'existe aucune autre garantie, condition ou représentation, qu'elle soit exprimée ou tacite, de façon manifeste ou intentionnelle, par Danby ou ses distributeurs agréés. De même, sont exclues toutes les autres garanties, conditions ou représentations, y compris les garanties, conditions ou représentations en vertu de toute loi régissant la vente de produits ou de toute autre législation ou règlement semblables. En vertu de la présente, Danby ne peut être tenue responsable en cas de blessures corporelles ou des dégâts matériels, y compris à l'appareil, quelle qu'en soit la cause. Danby ne peut pas être tenue responsable des dommages indirects dus au fonctionnement défectueux de l'appareil. En achetant l'appareil, l'acheteur accepte de mettre à couvert et de dégager Danby de toute responsabilité en cas de réclamation pour toute blessure corporelle ou tout dégât matériel causé par cet appareil.

### CONDITIONS GÉNÉRALES

La garantie ou assurance ci-dessus ne s'applique pas si les dégâts ou réparations sont dus aux cas suivants:

- 1) Panne de courant.
- 2) Dommages subis pendant le transport ou le déplacement de l'appareil.
- 3) Alimentation électrique incorrecte (tension faible, câblage défectueux, fusibles incorrects).
- 4) Accident, modification, emploi abusif ou incorrect de l'appareil tel qu'une circulation d'air inadéquate dans la pièce ou des conditions de fonctionnement anormales (température extrêmement élevée ou basse).
- 5) Utilisation dans un but commercial ou industriel (à savoir, si l'appareil n'est pas installé dans un domicile résidentiel).
- 6) Incendie, dommages causés par l'eau, vol, guerre, émeute, hostilités, cas de force majeure (ouragan, inondation, etc.).
- 7) Visites d'un technicien pour expliquer le fonctionnement de l'appareil au propriétaire.
- 8) Installation inappropriée (par exemple, encastrement d'un appareil autoportant, ou utilisation extérieure d'un appareil non conçu à cet effet, y compris, mais sans s'y limiter: les garages, les patios, les porches ou ailleurs qui ne sont pas correctement isolés ou climatisés).

La preuve de la date d'achat sera requise pour les réclamations de garantie; Conserver les factures de vente. Dans le cas où un service de garantie est requis, présentez la preuve d'achat à notre dépôt de service agréé.

#### Service sous garantie

Service au domicile

Danby Products Limited  
PO Box 1778, Guelph, Ontario, Canada N1H 6Z9  
Téléphone : (519) 837-0920 Télécopieur: (519) 837-0449

1-800-263-2629

04/17

Danby Products Inc.  
PO Box 669, Findlay, Ohio, U.S.A. 45840  
Téléphone: (419) 425-8627 Télécopieur: (419) 425-8629

# Bienvenido

Bienvenido a la familia Danby. Estamos orgullosos de nuestros productos de calidad y creemos en un servicio confiable. Sugerimos que lea este manual del propietario antes de conectar el nuevo aparato ya que contiene información importante sobre la operación, información de seguridad, solución de problemas y consejos de mantenimiento para garantizar la fiabilidad y longevidad de su electrodoméstico.

Visite **www.Danby.com** para acceder a herramientas de autoservicio, preguntas frecuentes y mucho más. Para asistencia adicional, llame al **1-800-263-2629**.

**Tenga en cuenta la información siguiente; Necesitará esta información para obtener un servicio bajo garantía.**

**Debe proporcionar el recibo de compra original para validar su garantía y recibir servicio.**

**Número de modelo:** \_\_\_\_\_

**Número de serie:** \_\_\_\_\_

**Fecha de compra:** \_\_\_\_\_

## Necesitas ayuda?

Antes de llamar al servicio, aquí hay algunas cosas que puede hacer para ayudarnos a servirle mejor.

### **Lea este manual del propietario:**

Contiene instrucciones para ayudarlo a usar y mantener su aparato correctamente.

### **Si recibe un aparato dañado:**

Inmediatamente póngase en contacto con el minorista o el constructor que le vendió el aparato.

### **Ahorre tiempo y dinero:**

Consulte la sección de solución de problemas al final de este manual antes de llamar. Esta sección le ayudará a resolver problemas comunes que pueden ocurrir.



1-800-26- Danby  
(1-800-263-2629)



## Importantes Instrucciones de Seguridad

### LEA Y SIGA TODAS LAS INSTRUCCIONES DE SEGURIDAD

### LA CONECCIÓN A TIERRA

Este artefacto debe ser conectado a tierra. En caso de un corto circuito eléctrico, la conexión a tierra reduce el riesgo de una descarga eléctrica proporcionando un cable de retorno para la corriente eléctrica.

Este aparato está equipado con un cable que tiene un cable de puesta a tierra y un enchufe de conexión a tierra. El cable de alimentación debe estar enchufado en un tomacorriente que esté debidamente conectado a tierra. Si el tomacorriente es un tomacorriente de pared de 2 terminales, es su responsabilidad reemplazarlo por un tomacorriente de 3 clavijas con conexión a tierra adecuada. La placa de serie indica el voltaje y frecuencia que se debe utilizar para el aparato.

**ADVERTENCIA** - El uso incorrecto del enchufe de conexión a tierra puede resultar en un riesgo de descarga eléctrica. Consulte a un electricista o agente de servicio calificado si las instrucciones de conexión a tierra no se entienden completamente o si existe duda sobre si el aparato está debidamente conectado a tierra.

### NO UTILICE CABLES DE EXTENSIÓN

No conecte el aparato a los cables de extensión ni con otro aparato en la misma toma de corriente. No empalme el cable de alimentación. No corte ni quite en ningún caso la tercera clavija de tierra del cable de alimentación.

Si el cable de alimentación está dañado, debe ser reemplazado por el fabricante, su agente de servicio o persona calificada similar para evitar riesgos.

Asegúrese de que los componentes se reemplacen con componentes similares y que el servicio sea realizado por personal de servicio autorizado por la fábrica para minimizar el riesgo de encendido debido a piezas incorrectas o servicio inadecuado.

Este aparato no se destina para utilizarse por personas (incluyendo niños) cuyas capacidades físicas, sensoriales o mentales sean diferentes o estén reducidas, o carezcan de experiencia o conocimiento, a menos que dichas personas reciban una supervisión o capacitación para el funcionamiento del aparato por una persona responsable de su seguridad.

### REQUERIMIENTOS DE SEGURIDAD

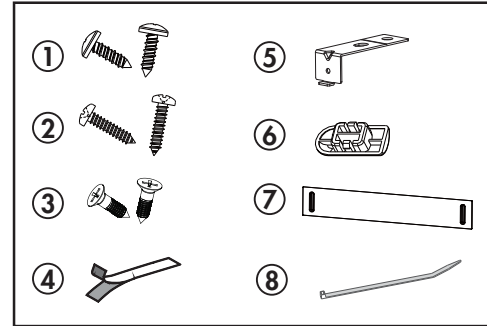
- Los niños deben ser supervisados para asegurar que no jueguen con el electrodoméstico.
- No se pare, se siente o se apoye en la puerta o en el plato. No coloque objetos pesados en la puerta cuando esté abierto.
- No toque el elemento calefactor durante o inmediatamente después de su uso.
- No haga funcionar el aparato a menos que todos los paneles del armario estén instalados correctamente.
- Abrir la puerta con cuidado durante el funcionamiento, el agua puede tener fugas. Proceda con precaución ya que el agua puede estar caliente.
- No lave artículos de plástico a menos que estén identificados como aptos para lavaplatos.
- Utilice únicamente detergentes y aditivos de enjuague que estén diseñados para un lavaplatos automático.
- Nunca use jabón, detergente para la ropa o detergente para el lavado de manos en el lavaplatos.
- Mantenga el detergente y el abrillantador fuera del alcance de los niños.
- Compruebe que el dispensador de detergente esté vacío después de completar el ciclo de lavado.
- Los detergentes para lavaplatos son muy alcalinos y pueden ser extremadamente peligrosos si se ingieren. Evite el contacto con la piel y los ojos.
- Retire la puerta del aparato cuando la saque de servicio o deseche.
- La presión máxima admisible del agua de la entrada es 0.04 - 1 Mpa.
- La temperatura de entrada del suministro de agua debe estar entre 48 - 65°C (120 - 149°F).

**¡GUARDE ESTAS INSTRUCCIONES!**

# INSTRUCCIONES DE INSTALACIÓN

## ACCESORIOS

1. ST3.5\*9 tornillos para la llave de instalación (x2)
2. ST3.9\*13 tornillos para la placa de patada (x2)
3. ST4\*14 tornillos para la abrazadera de instalación (x2)
4. Tira de condensación
5. Soporte de instalación (x2)
6. Tapas de ajuste (x2)
7. Placa de protección
8. Brida para asegurar la manguera de drenaje



## RECINTO

La ubicación de instalación debe tener un piso sólido que pueda soportar el electrodoméstico cuando esté completamente cargado y lleno de agua. La ubicación debe estar dentro de los 3 metros de un fregadero con fácil acceso al suministro de agua, el desagüe y una toma de corriente. La ubicación debe tener suficiente espacio delante para que la puerta se abra a 90°, de modo que se pueda cargar el lavavajillas.

El gabinete de instalación debe tener las siguientes dimensiones: 23.6 pulgadas (60 cm) de ancho por 32.5 pulgadas (82.5 cm) de alto por 22.8 pulgadas (58 cm) de profundidad. Debe haber menos de 5 mm entre la parte superior del lavavajillas y el gabinete, y la puerta del lavavajillas debe estar alineada con la cara del gabinete.

Si es necesario, haga orificios en los gabinetes circundantes para proporcionar acceso a las conexiones de agua y alimentación.

## INSTRUCCIONES DE CONEXIÓN DE AGUA

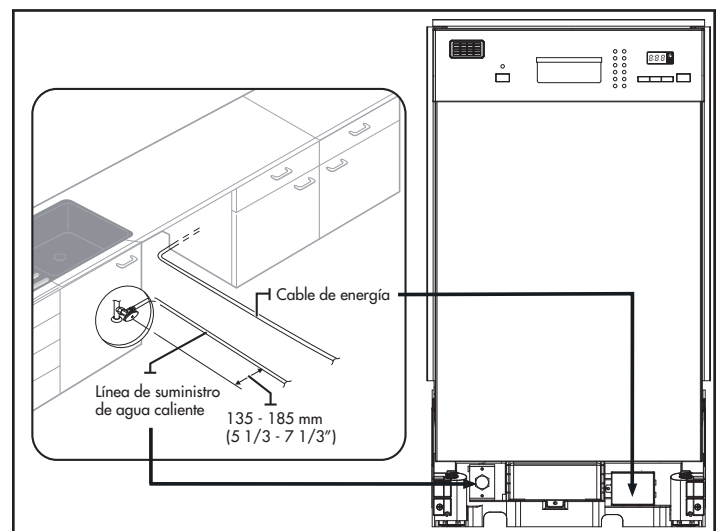
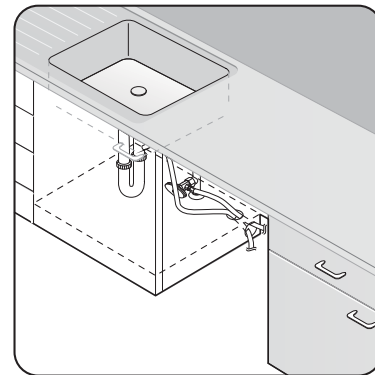
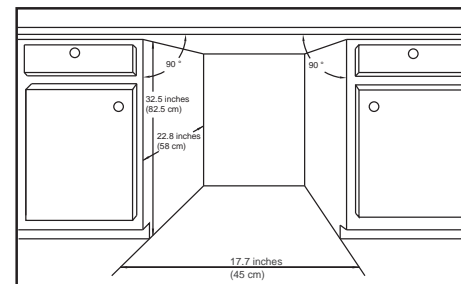
La presión de la línea de suministro de agua caliente debe estar entre 0.04 - 1 MPa.

La temperatura de entrada del suministro de agua debe estar entre 48 - 65°C (120 - 149°F). Asegúrese de que la temperatura del agua no supere los 65°C (149°F) para evitar daños a los platos.

Asegúrese de que el interruptor de circuito y la válvula de suministro de agua estén apagados antes de conectar la línea de suministro de agua caliente al lavavajillas.

El cable de alimentación se conectará a la caja de conexiones en el lado frontal derecho del aparato. La línea de suministro de agua caliente se conectará al puerto de agua en el lado delantero izquierdo del aparato.

**Nota:** Se recomienda utilizar únicamente agua blanda en el aparato para lograr los mejores resultados de lavado.



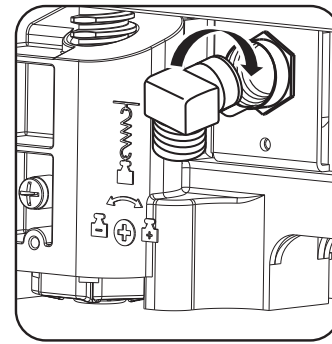


# INSTRUCCIONES DE INSTALACIÓN

## Conexión de la línea de agua caliente

Pase la línea de agua caliente a través del canal en la parte inferior izquierda del aparato. Asegúrese de que la línea de agua caliente no esté retorcida y luego conéctela a la parte posterior del electrodoméstico utilizando una junta acodada. Use cinta de teflón o compuesto de sellado en la conexión para evitar fugas.

No apriete demasiado el codo de 90°. Esto puede dañar la entrada de agua y causar una fuga.



## Conectando la línea de drenaje

La manguera de drenaje se conectará a la bomba de drenaje en la parte inferior del artefacto. Ejecute la línea de drenaje en el mismo canal en la parte inferior del aparato como la línea de agua caliente. Asegúrese de que no haya nada dentro de la manguera de drenaje y que no se rompa durante el proceso de instalación.

Hay varias formas diferentes de conectar la manguera de drenaje en función de la configuración del fregadero. Revise las diferentes formas de conectar el sistema de drenaje y elija el método que mejor se adapte a la aplicación. Los códigos locales pueden requerir la instalación de un kit de espacio de aire. Consulte con un plomero calificado si tiene alguna duda.

1. Entrehierro
2. Entrehierro con eliminación de basura
3. Sin espacio de aire
4. Sin espacio de aire con eliminación de basura

Use un conector de goma para conectar las mangueras de drenaje y las abrazaderas de manguera en todos los puntos de conexión.

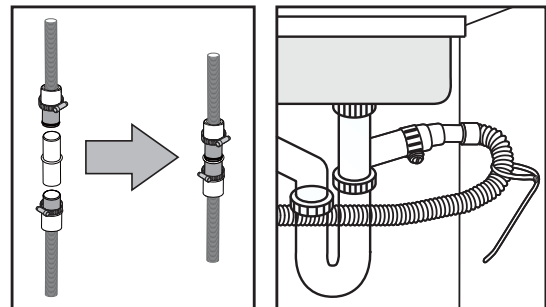
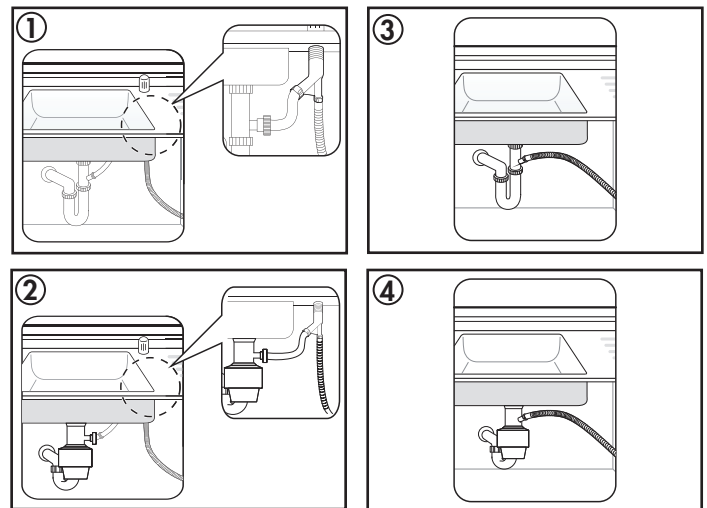
Asegure la manguera de drenaje a la pared del fregadero usando abrazaderas u otros materiales de sujeción. Si no está abrochado, la manguera de drenaje puede doblarse y causar problemas de drenaje.

El diámetro interno de la manguera de drenaje es de 0.8 pulgadas (21 mm).

La parte superior de la manguera de desagüe debe estar a menos de 39 pulgadas (100 cm) del piso.

Si la manguera de drenaje no está enrollada, el agua puede desviarse durante un ciclo de lavado.

Cualquier doblez en la manguera de drenaje debe ser soportada para que la manguera no se doble ni doble.



## INSTRUCCIONES DE INSTALACIÓN

### INSTRUCCIONES DE CONEXIÓN DE CABLEADO

Antes de conectar el cable de alimentación al lavavajillas, asegúrese de que el interruptor de circuito esté apagado.

En la caja de conexiones ubicada en la parte inferior delantera derecha del lavavajillas, busque los tres cables de alimentación del lavavajillas, incluida la línea de conexión a tierra.

Pase el cable de alimentación a través del alivio de tensión y luego a la caja de conexiones.

Conecte el cable negro del lavavajillas al cable negro del cable de alimentación insertando ambos en una tuerca de cable y luego girando el conector del cable.

Conecte el cable blanco al cable blanco y el verde al verde de la misma manera.

Vuelva a verificar cada cable para asegurarse de que esté conectado correctamente y de forma segura.

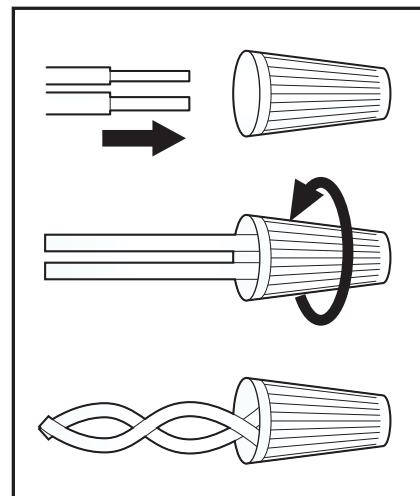
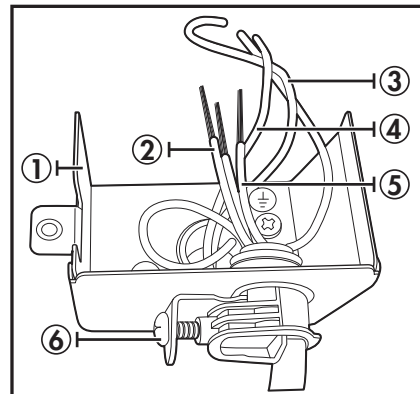
Cada cable de color debe estar conectado al cable correspondiente del mismo color.

El blanco debe estar conectado a blanco, negro a negro y verde a verde.

Vuelva a colocar la tapa de la caja de conexiones en el lavavajillas.

Vuelva a verificar cada cable para asegurarse de que esté conectado correctamente y de forma segura. Cada cable de color debe estar conectado al cable correspondiente del mismo color.

1. Caja de conexiones
2. Cable de energía
3. Negro a negro
4. Blanco a blanco
5. Verde a verde (tierra a tierra)
6. Alivio de tensión



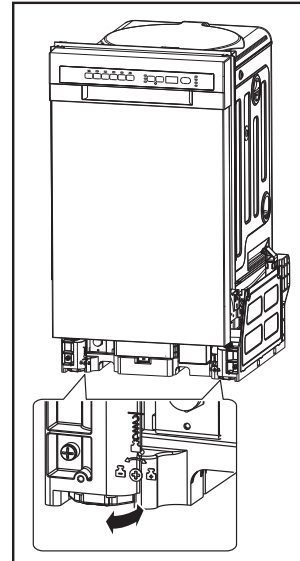
### ADVERTENCIA PELIGRO DE DESCARGA ELÉCTRICA

Para evitar descargas eléctricas, no trabaje en un circuito energizado. Hacerlo podría ocasionar lesiones graves o la muerte. Para evitar un riesgo de incendio, asegúrese de que el trabajo eléctrico esté instalado correctamente. Solo electricistas calificados deben realizar trabajos eléctricos.

# INSTRUCCIONES DE INSTALACIÓN

## INSTRUCCIONES DE NIVELACIÓN

Asegúrese de que el dispositivo esté nivelado antes de colocarlo en el gabinete. El pie trasero se puede ajustar desde la parte frontal del lavavajillas girando. Use un destornillador plano para ajustar las patas delanteras hasta que el electrodoméstico esté nivelado.



## ABRAZADERAS DE INSTALACIÓN

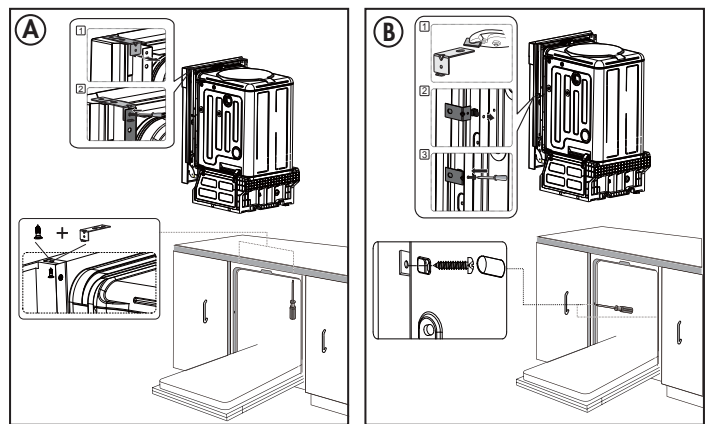
El aparato debe estar asegurado en su lugar con las llaves de instalación. Hay dos formas diferentes de usar los aparatos.

### A. Superficie de trabajo normal

Coloque el gancho de instalación en la ranura del plano lateral y fíjelo a la superficie de trabajo con los tornillos para madera.

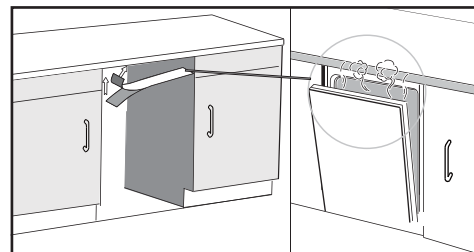
### B. Mostrador de mármol o granito

Fije el lado con el tornillo. Coloque las cubiertas de los tornillos sobre los tornillos internos para protegerlos del agua.



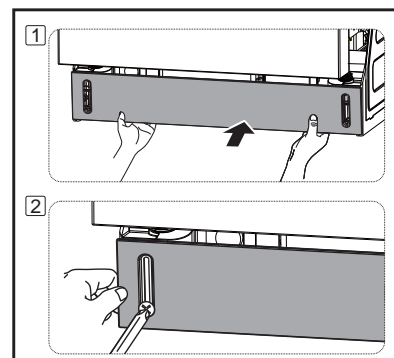
## TIRA DE CONDENSACIÓN

Coloque la banda de condensación debajo de la superficie de trabajo del gabinete. Asegúrese de que la tira esté alineada con el borde de la superficie de trabajo.



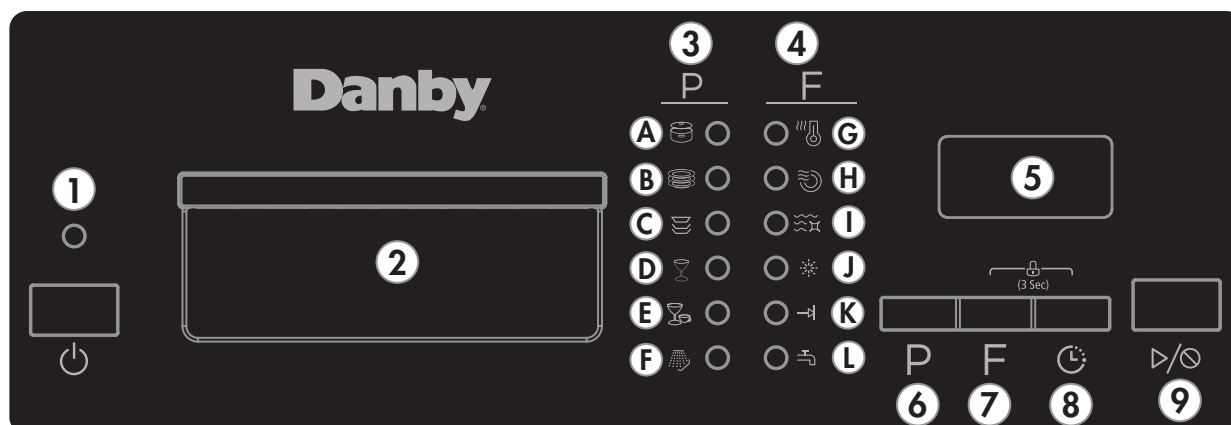
## INSTALACIÓN DE PLACA DE PATADA

Instale la placa de protección en la parte inferior del aparato.



# INSTRUCCIONES DE OPERACIÓN

## PANEL DE CONTROL



- 1. Botón de encendido:** Utilícelo para encender o apagar el dispositivo.
- 2. Manija**
- 3. Programas:** La luz se iluminará para mostrar qué programa se ha seleccionado.
  - A: Lavado pesado**
  - B: lavado normal**
  - C: lavado ECO**
  - D: lavado de vidrio**
  - E: lavado rápido**
  - F: Enjuague**
- 4. Características:** La luz se iluminará para mostrar qué características se han seleccionado.
  - G: Lavado de alta temperatura** - la temperatura del agua se mantendrá a 60 °C (140 °F)
  - H: Secado al calor** - el calentador funcionará durante el ciclo de secado
  - I: Esterilizar** - la temperatura del agua se mantendrá a 69 °C (156 °F)
  - J: Luz indicadora de enjuague** - la luz se iluminará cuando el dispensador de abrillantador esté vacío
  - K: Luz indicadora del extremo del ciclo** - la luz se iluminará cuando el programa esté terminado
  - L: Luz indicadora de advertencia del grifo** - la luz se iluminará cuando el electrodoméstico no esté recibiendo suficiente agua; encienda el grifo de agua cercano para corregir el flujo de agua
- 5. Pantalla de visualización:** Muestra el tiempo de ejecución restante en el programa actual.
- 6. Botón de programa:** Presione para seleccionar el programa deseado.
- 7. Botón de funciones:** Presione para seleccionar las características deseadas.
- 8. Botón de retardo programado:** Presione para configurar el retardo de tiempo deseado.
- 9. Botón de inicio/pausa:** Presione para iniciar el programa deseado. Presione para cancelar un programa que está actualmente en operación.

## INSTRUCCIONES DE OPERACIÓN

### TABLA DE CICLOS DE LAVADO

Pulse el botón de programación para seleccionar el programa de lavado deseado.

**Nota:** Los tiempos de ciclo son aproximados y variarán según las opciones seleccionadas.

Programa	Descripción del ciclo	Desglose del ciclo	Tiempo de ejecución	Uso del agua
Pesado	Para cargas muy sucias como ollas y sartenes	Prelavado Lavar (60°C) Enjuagar (65°C) Enjuagar (con sani 69°C) El secado	155 minutos	21.5 litros (5.7 galones)
Normal	Para cargas normalmente sucias; Ciclo diario estándar	Prelavado Lavar (50-55°C) Enjuagar (58-60°C) Enjuagar (con sani 69°C) El secado	100~130 minutos	10.5~21.5 litros (2.8~5.7 galones)
ECO	Ciclo de ahorro de energía para cargas ligeramente sucias	Prelavado Lavar (45-50°C) Enjuagar (50-55°C) Enjuagar (con sani 69°C) El secado	115 minutos	18 litros (4.8 galones)
Vaso	Para cristalería ligeramente sucia	Prelavado Lavar (48-50°C) Enjuagar (50-55°C) El secado	105 minutos	18 litros (4.8 galones)
Velocidad	Un ciclo rápido para cargas ligeramente sucias	Prelavado Lavar (50°C) Enjuagar (50°C) El secado	60 minutos	14 litros (3.7 galones)
Enjuagar	Rinse cycle only	Prelavado Enjuagar	20 minutos	7.5 litros (2 galones)

### SISTEMA DE LAVADO INTELIGENTE

Este electrodoméstico está equipado con un sistema de lavado inteligente. Cuando se coloca una carga parcial de platos ligeramente sucios en el aparato, se realizará automáticamente un ciclo de lavado similar a un lavado breve.

Cuando se coloca una carga completa de platos muy sucios en el electrodoméstico, se realizará automáticamente un ciclo de lavado intenso.

Cuando se está ejecutando un ciclo, el tiempo restante podría aumentar o disminuir repentinamente durante varios minutos. Esto indica que el sistema de lavado inteligente ha comprobado el nivel del suelo y determinado en rellenos de agua adicionales que se necesitan o si se pueden eliminar los rellenos de agua.

### FUNCIÓN DE BLOQUEO

Mantenga presionado el botón de funciones y el botón de demora de tiempo durante tres segundos para activar la función de bloqueo para niños. La pantalla de visualización mostrará un ícono de bloqueo y los botones en el panel de control no responderán. Mantenga presionado el botón de funciones y el botón de demora por tres segundos para desactivar la función de bloqueo para niños.

# INSTRUCCIONES DE OPERACIÓN

## CARGANDO LA LAVAVAJILLAS

- Deseche todos los platos para eliminar cualquier residuo de comida grande antes de colocarlo en este electrodoméstico.
- Coloque únicamente platos en este electrodoméstico que estén marcados como aptos para lavavajillas.
- Use un detergente suave.

### Artículos que no deben colocarse en el lavavajillas

- Cubiertos con mangos de madera, porcelana china o nácar.
- Artículos de plástico que no son resistentes al calor.
- Artículos que han sido reparados con pegamento que no es resistente al calor.
- Artículos de peltre, cobre o acero.
- Platos de madera.
- Artículos hechos de fibras sintéticas.
- Los artículos con patrones acristalados pueden desvanecerse si la máquina se lava con frecuencia.

### Consejos para una carga eficiente

- Cargue los artículos huecos como tazas, vasos o sartenes con la abertura hacia abajo para que el agua no pueda acumularse en el recipiente.
- Los artículos no deben estar uno dentro del otro o cubrirse entre sí.
- Para evitar dañar las gafas, no deben tocarse.
- Los artículos afilados de los cubiertos, como los cuchillos de trinchar, deben cargarse horizontalmente en la cesta para evitar lesiones durante la descarga.
- No sobrecargue el aparato.

## CARGANDO LA CESTA DE CUBIERTOS

Los cubiertos deben colocarse en la cesta de los cubiertos con las asas hacia abajo. Asegúrese de que los cubiertos no aniden uno dentro del otro ya que esto puede afectar el rendimiento de limpieza.

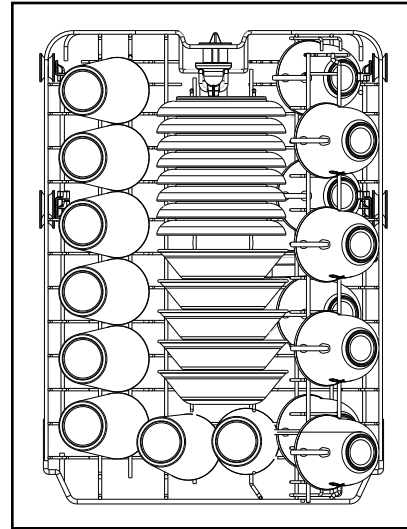
Los artículos afilados o puntiagudos deben colocarse en la cesta de los cubiertos con las puntas hacia abajo para evitar lesiones durante la descarga.

No coloque objetos excesivamente pequeños en el lavavajillas ya que podrían caerse a través del cesto y afectar el funcionamiento del aparato.

## CARGANDO LA CESTA SUPERIOR

La canasta superior está diseñada para tazas, vasos, platos pequeños, cuencos y artículos de plástico que están marcados como seguros para lavavajillas.

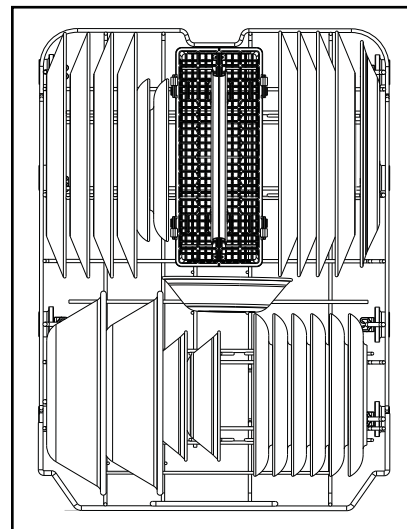
Asegúrese de que los platos cargados no interfieran con la rotación del brazo rociador ubicado en la parte inferior de la cesta superior.



## CARGANDO LA CESTA INFERIOR

La canasta inferior está diseñada para platos para la cena, cuencos de sopa, platos, ollas, tapas, platos de cazuela y platos.

Cargue elementos grandes, como cacerolas y ollas, deben cargarse con sus lados abiertos hacia abajo.

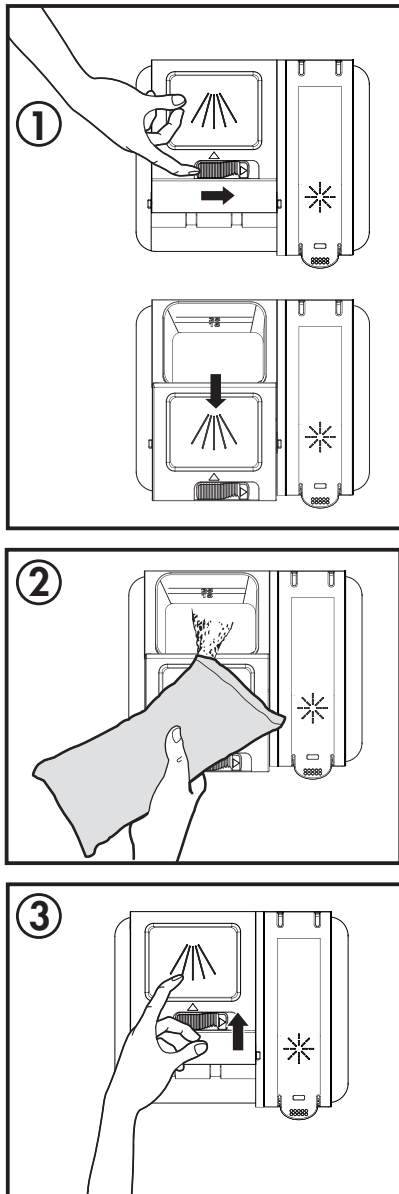


# INSTRUCCIONES DE OPERACIÓN

## DISPENSADOR DE DETERGENTE

El dispensador de detergente debe llenarse antes del inicio de cada ciclo de lavado. Agregue el detergente justo antes de comenzar el ciclo de lavado. Agregar el detergente demasiado pronto puede hacer que se humedezca y no se disuelva adecuadamente.

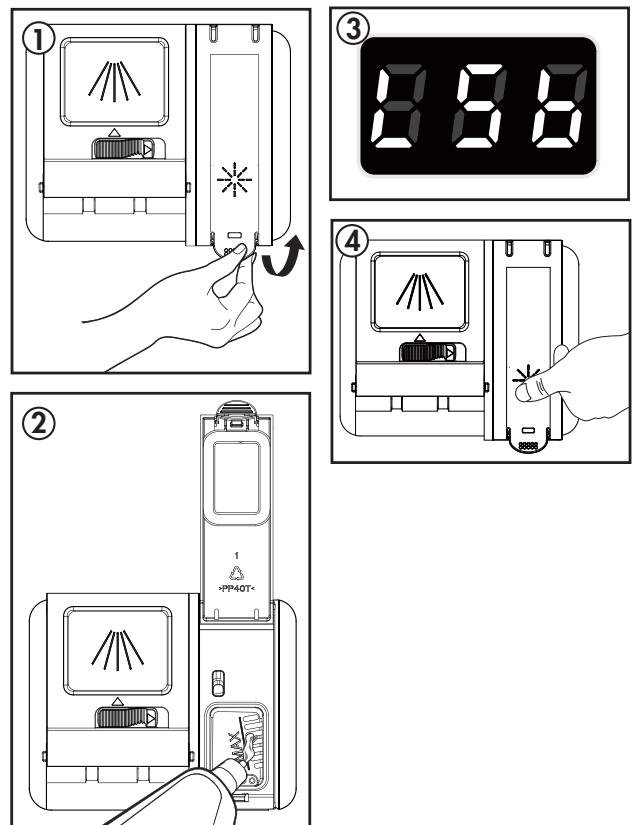
1. Si el dispensador de detergente está cerrado, presione el pestillo para abrirlo.
2. Agregue la cantidad recomendada de detergente al componente principal de detergente.
3. Cierre la solapa deslizándola hacia la izquierda y presionando hacia abajo.



## DISPENSADOR DE AGENTE DE ENJUAGUE

El agente de enjuague se puede usar para evitar que se formen gotas de agua o rayas en los platos. El abrillantador se liberará automáticamente durante el enjuague final. Este electrodoméstico está diseñado para usar solo abrillantador líquido. No use un abrillantador en polvo ya que obstruirá la abertura del depósito. No coloque ninguna otra sustancia en el dispensador de abrillantador ya que puede dañar el aparato.

1. Abra el dispensador de abrillantador levantando la tapa.
2. Use el puerto de visualización cuando llene el depósito de abrillantador. No llene el depósito por encima del indicador de nivel completo.
3. Si la pantalla muestra "LSb", el dispensador de abrillantador está vacío.
4. Cierre la tapa del abrillantador presionando hacia abajo.



**COMENZANDO UN CICLO DE LAVADO**

1. Cargue el lavavajillas según las instrucciones de carga.
2. Agregue detergente y abrillantador según sea necesario.
3. Cierre la puerta del lavavajillas y presione el botón de encendido para encender el aparato.
4. Presione el botón de Programa repetidamente para elegir el programa de lavado deseado. Los programas realizarán un ciclo en el siguiente orden: Pesado -> Normal -> ECO -> Vidrio -> Rápido -> Enjuague
5. Presione el botón de Opciones para seleccionar las opciones deseadas.
6. Haga funcionar el grifo de agua caliente más cercano al artefacto hasta que el agua esté caliente y luego apáguelo.
7. Presione el botón de Inicio / Pausa para comenzar el ciclo.

**Nota:** Cuando finalice un programa de lavado, el dispositivo zumbará 8 veces y aparecerá END en la pantalla.

**AGREGAR UN PLATO OLVIDADO**

Un plato olvidado puede agregarse a un ciclo de funcionamiento en cualquier momento antes de que se abra el dispensador de detergente. Si el detergente ya se ha liberado en el aparato, se recomienda no agregar más platos ya que no recibirán una limpieza adecuada.

Para agregar un plato:

1. Abra ligeramente la puerta y espere unos segundos hasta que la acción de lavado se detenga por completo antes de abrirse por completo.
2. Agregue el artículo olvidado
3. Cierre la puerta y presione el botón de inicio para reiniciar el ciclo.

**Precaución:** Espere hasta que la acción de lavado se detenga por completo antes de abrir la puerta. El agua caliente puede salpicar del lavavajillas y causar lesiones.

**LIMPIEZA**

- Después de cada lavado, apague el suministro de agua y deje la puerta ligeramente abierta para que la humedad y los olores no queden atrapados dentro del aparato.
- Utilice únicamente un paño suave y detergente suave para limpiar el aparato. No utilice nunca disolventes ni productos de limpieza abrasivos, ya que pueden dañar el aparato.
- Para eliminar manchas de agua del interior del aparato, utilice un paño suave humedecido con una pequeña cantidad de vinagre.
- Si el aparato no se va a utilizar durante un largo período de tiempo, se recomienda ejecutar un ciclo de lavado normal con el lavavajillas vacío y luego dejar la puerta abierta hasta que el interior del aparato esté completamente seco. Esto ayudará a que los sellos de la puerta duren más y ayudará a prevenir que los olores se formen dentro del aparato.
- Limpie los sellos de la puerta con una esponja húmeda con regularidad para evitar olores de partículas de alimentos que pueden quedar atrapados en el sello de la puerta.



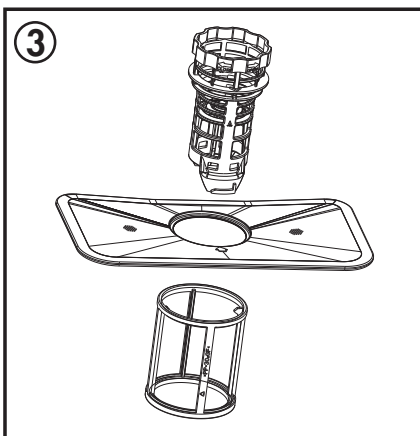
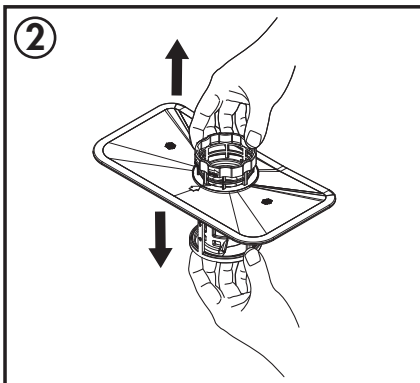
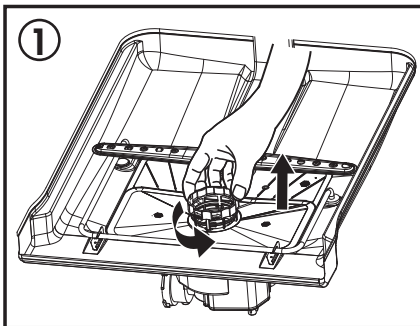
## CUIDADO Y MANTENIMIENTO

### SISTEMA DE FILTRO

El sistema de filtro elimina partículas de alimentos del agua de lavado y las atrapa. Se recomienda encarecidamente vaciar y limpiar los filtros después de cada ciclo de lavado.

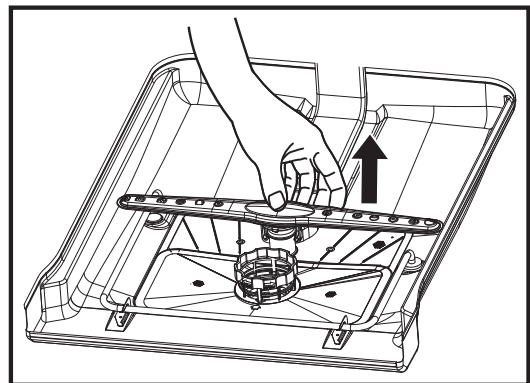
Para limpiar el sistema de filtro:

1. Apaga el lavaplatos. Gire el filtro y levante hacia arriba para quitar el sistema de filtro del aparato.
2. Gire el inserto del filtro en el sentido contrario a las agujas del reloj para desabrochar y luego separe el inserto del filtro.
3. Enjuague y limpie los filtros con agua y reemplácelos dentro del aparato.



### BRAZO ROCIADOR

El brazo rociador puede retirarse del aparato tirando suavemente hacia arriba. Enjuague el brazo rociador con agua tibia para eliminar cualquier escombros que pueda obstruir las boquillas. Vuelva a colocar el brazo rociador en el aparato empujando hacia abajo hasta que encaje en su lugar. Asegúrese de que el movimiento del brazo aspersor no se vea impedido antes de ejecutar otro ciclo.



### CÓDIGOS DE ERROR

**E1:** La entrada de agua está restringida o la presión del agua es demasiado baja

**E3:** Mal funcionamiento del elemento calefactor

**E4:** Desbordamiento de agua

Si el dispositivo muestra algún código de error, un reinicio de energía puede resolver el problema. Desenchufe el aparato, espere aproximadamente 5 minutos y luego vuelva a enchufar la unidad.

## SOLUCIÓN SUGERIDA

**Danby cuidado del consumidor: 1-800-263-2629**

### Horas de operación:

Lunes a Jueves 8:30 am - 6:00 pm Hora estándar del este

Viernes 8:30 am - 4:00 pm Hora estándar del este

La información de este manual está sujeta a cambios sin previo aviso.

<b>PROBLEMA</b>	<b>POSSIBLE CAUSA</b>
<b>Ninguna energía</b>	<ul style="list-style-type: none"><li>• Se puede quemar un fusible o disparar el disyuntor</li><li>• Sobrecarga de energía</li><li>• El enchufe no está completamente insertado en la toma de corriente</li><li>• Puerta no cerrada correctamente</li></ul>
<b>Agua no drenada del lavaplatos</b>	<ul style="list-style-type: none"><li>• Doblar en la manguera de desagüe</li><li>• Filtro tapado</li><li>• Funcionamiento incorrecto de la bomba de drenaje</li></ul>
<b>Detergente en el dispensador</b>	<ul style="list-style-type: none"><li>• Platos que bloquean la apertura total del dispensador; La unidad puede estar sobrecargada</li></ul>
<b>Las espumas dejadas en el aparato</b>	<ul style="list-style-type: none"><li>• Demasiado detergente o tipo incorrecto de detergente</li><li>• Demasiado agente de enjuague</li></ul>
<b>Película blanca o nubosidad en los platos o en la bañera interior</b>	<ul style="list-style-type: none"><li>• Minerales de agua dura</li><li>• Demasiado detergente</li><li>• No hay suficiente agente de enjuague</li></ul>
<b>Ruido dentro de la bañera durante el funcionamiento</b>	<ul style="list-style-type: none"><li>• El brazo rociador está golpeando un artículo en la cesta</li><li>• Un artículo se ha caído de la cesta y está en el fondo de la tina de la colada</li></ul>
<b>Los platos no están limpios</b>	<ul style="list-style-type: none"><li>• Los platos se cargaron incorrectamente</li><li>• El programa de lavado no era lo suficientemente potente</li><li>• No hay suficiente detergente</li><li>• Los artículos bloquean los brazos rociadores; La unidad puede estar sobrecargada</li><li>• Filtro tapado</li></ul>
<b>Los platos no se secan</b>	<ul style="list-style-type: none"><li>• Los platos se cargaron incorrectamente</li><li>• Se cargaron demasiados platos</li><li>• No hay suficiente agente de enjuague</li><li>• Platos eliminados con demasiada rapidez</li></ul>

## GARANTÍA LIMITADA "A DOMICILIO"

Este producto de calidad está garantizado contra defectos de fabricación, incluyendo partes y mano de obra, siempre y cuando la unidad se utilice bajo las condiciones normales de funcionamiento para las que fue diseñado. Esta garantía está solamente disponible para la persona que haya comprado originalmente esta unidad directamente de Danby Products Limited (Canada) o Danby Products Inc. (U.S.A.) (en adelante "Danby") o uno de sus distribuidores autorizados, y no es transferible.

### CONDICIONES DE LA GARANTÍA

Las piezas plásticas, se autorizan por treinta (30) días solamente a partir de la fecha de la compra, sin las extensiones proporcionadas.

**Primeros 12 meses** Durante los primeros **doce (12) meses**, cualquier parte en buen estado de este producto que resulte defectuosa, incluyendo cualquier sistema sellado, será reparado o reemplazado, a opción del fabricante, sin cargo para el comprador ORIGINAL.

**Para obtener servicio** Comuníquese con el distribuidor donde haya comprado la unidad, o llame al Taller de Servicio Autorizado más cercano, donde debe ser reparada por un técnico calificado. Si esta unidad es reparada en otro lugar que no sea un Taller de Servicio Autorizado, o si la unidad se utiliza para aplicaciones comerciales, Danby no se hará responsable de ninguna forma y la garantía será anulada.

**Límites del servicio técnico a domicilio** Danby se reserva el derecho de limitar la cobertura de "Servicio en Domicilio" sujeto a la proximidad de un **Taller de Servicio Autorizado**. Para todo artefacto que requiera servicio fuera del área limitada de "Servicio en Domicilio", el cliente será responsable por transportar dicho artefacto hasta el Taller de Servicio Autorizado más cercano. Si el electrodoméstico está instalado en un lugar que se encuentra a **100 kilómetros (62 millas)** o más del centro de servicios más cercano, se debe llevar la unidad al Centro de servicios Danby autorizado más cercano, ya que dicho servicio sólo puede realizarlo un técnico calificado y certificado por Danby para prestar servicios de garantía.

Los cargos por transporte desde y hacia el lugar en que se efectúe el servicio técnico no están cubiertos por esta garantía y son de responsabilidad del comprador.

Nada dentro de esta garantía implica que Danby será responsable por cualquier daño que hayan sufrido los alimentos u otros contenidos de este aparato, ya sea debido a un defecto del aparato, o su uso, adecuado o inadecuado.

### EXCLUSIONES

Salvo lo aquí indicado por Danby, no existen otras garantías, condiciones o representaciones, explícitas o implícitas, concretas o intencionales por parte de Danby o sus distribuidores autorizados y todas las demás garantías, condiciones o representaciones, incluyendo cualquier garantía, condiciones o representaciones bajo cualquier Acta de Venta de Productos o legislación o estatuto similar, quedan de esta forma expresamente excluidas. **Salvo lo aquí indicado, Danby no serán responsables por ningún daño a personas o bienes, incluyendo la propia unidad, sin importar su causa, o de ningún daño indirecto causado por el desperfecto de la unidad, y al comprar esta unidad, el comprador acepta por la presente, indemnizar y proteger a Danby contra cualquier reclamo por daños a personas o bienes causados por la unidad.**

### CONDICIONES GENERALES

No se considerará ninguna de estas garantías o seguros cuando el daño o la necesidad de reparación sea el producto de los siguientes casos:

- 1) Falla del suministro eléctrico.
- 2) Daños en tránsito o durante el transporte de la unidad.
- 3) Alimentación incorrecta, como bajo voltaje, instalación eléctrica defectuosa o fusibles inadecuados.
- 4) Accidente, modificación, abuso o uso incorrecto del artefacto, tal como insuficiente ventilación del ambiente o condiciones de operación anormales (temperatura ambiente extremadamente alta o baja).
- 5) Utilización comercial o industrial (v.g., si el electrodoméstico no está instalado en una vivienda particular).
- 6) Incendio, daños por agua, robo, guerra, disturbios, hostilidades, actos de fuerza mayor como huracanes, inundaciones, etc.
- 7) Pedidos de servicio debido a desinformación del usuario.
- 8) Instalación inadecuada (v.g., instalación empotrada de un electrodoméstico diseñado como unidad independiente o uso de un electrodoméstico al aire libre que no esté aprobado para dicho fin, incluyendo pero no limitado a: garajes, patios, porches o en cualquier lugar que no esté bien aislado o controlado por el clima).

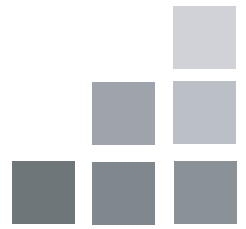
Se requerirá una prueba de la fecha de compra para reclamaciones de garantía; Retener las facturas de venta. En el caso de que se requiera servicio de garantía, presente el comprobante de compra a nuestro depósito de servicio autorizado.

**Servicio de Garantía**  
Servicio en Domicilio

Danby Products Limited  
PO Box 1778, Guelph, Ontario, Canada N1H 6Z9  
Telephone: (519) 837-0920 FAX: (519) 837-0449

**1-800-263-2629**  
04/17

Danby Products Inc.  
PO Box 669, Findlay, Ohio, U.S.A. 45840  
Telephone: (419) 425-8627 FAX: (419) 425-8629



---

**MODEL • MODÈLE • MODELO**

DDW1804EW

DDW1804EBSS