

Kräus[®]

INSTALLATION MANUAL

Single Lever Pull-Down Kitchen Faucet

KPF-1630

Thank you for your purchase

We would like to take this opportunity to thank you for choosing Kraus. We hope that you are completely satisfied with your purchase, and enjoy it for years to come. If you have any questions, or require technical assistance, please contact us at 800.775.0703 and one of our representatives will be happy to help.

For more information about Kraus products, please visit:

www.kraususa.com

In order to activate your warranty and get faster access to customer support, please register your new Kraus product at:

www.kraususa.com/registration

Sincerely,

Kraus USA Customer Service

Prior to Installation:

- Make sure you have all necessary parts by checking the diagram and parts list. If any part is missing or damaged, please contact Kraus Customer Service at 800-775-0703 for a replacement
- Turn off the cold and hot water at the angle stops and turn on the old faucet to release any built up pressure
- Flush angle stops to release any debris prior to installation
- Pre-drilled hole size requirement: 1-3/8" (min) – 1-1/2" (max)
- Max countertop thickness: 1-3/8
- 1, 2, or 3 hole installation

For technical assistance or replacement parts, please contact Kraus Customer Service and one of our representatives will be happy to help:

Toll-Free: 800-775-0703 or Customerservice@kraususa.com

Diagram and Parts List

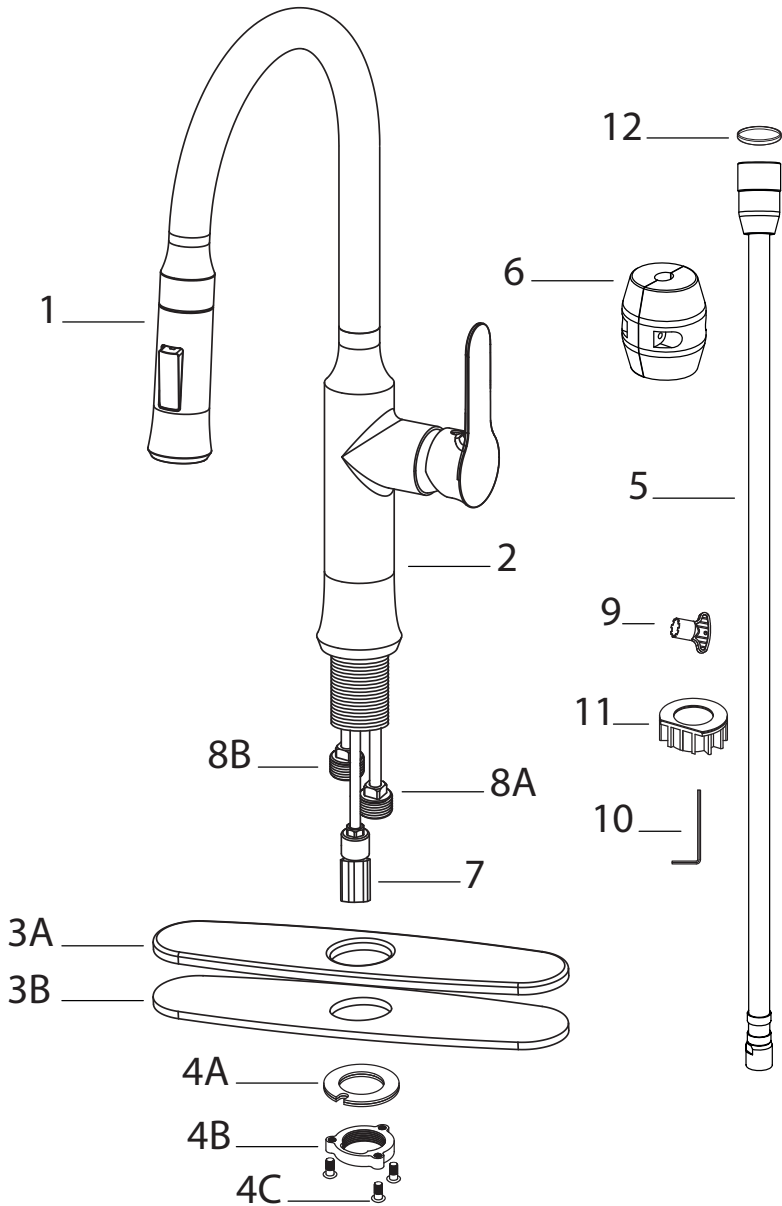


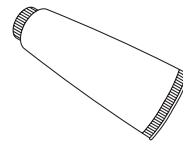
Diagram and Parts List

1. Spray Head
2. Faucet Body
3. Deck Plate Assembly
 - A. Deck Plate
 - B. Base Plate
4. Mounting Hardware
 - A. Rubber & Metal Washer
 - B. Mounting Nut
 - C. Mounting Screws
5. Spray Hose
6. Weight
7. Check Valve
8. Hot and Cold Copper Lines
 - A. Cold
 - B. Hot
9. Aerator Key
10. Hex Wrench
11. Faucet Extender
12. Washer

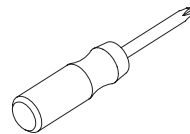
Tools you will need



Adjustable Wrench



Silicone Sealant
(optional)

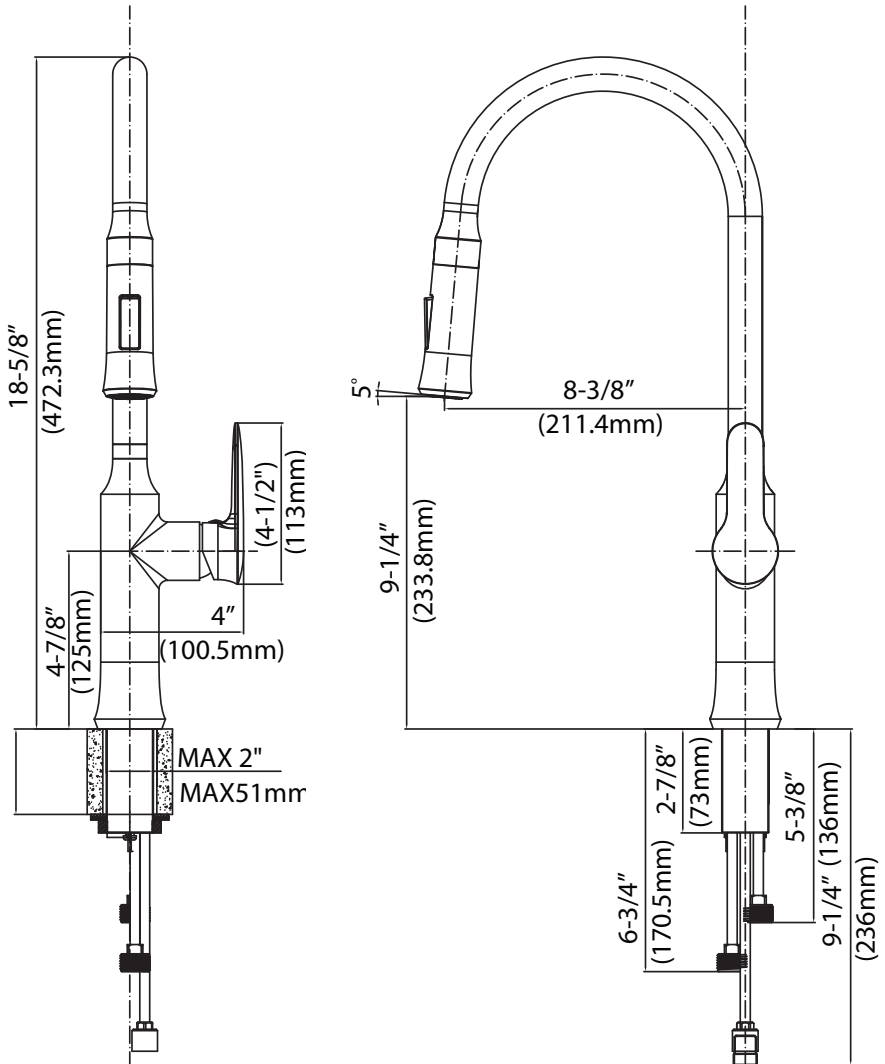


Phillips Screwdriver



Safety Goggles

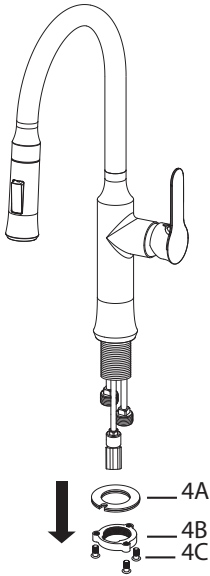
Faucet Installation Procedure



Installer Tip:

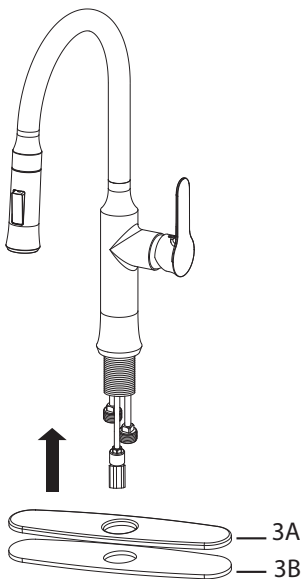
Shut off main water supply before installing new faucet

Step 1: Remove mounting hardware



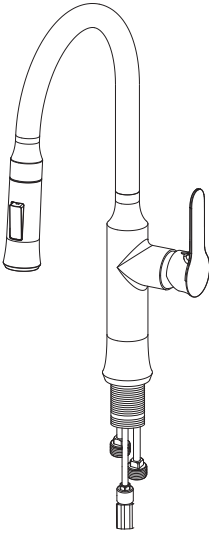
Remove the mounting screws (4C), mounting nut (4B), and rubber & metal washer (4A) from the mounting pipe

Step 2A: Faucet installation - with deck plate



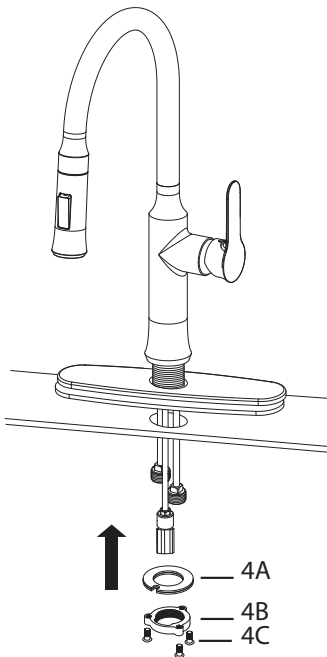
For three-hole installation: Deck plate (3A), base plate (3B), and silicone sealant (optional) are required

Step 2B: Faucet installation - without deck plate



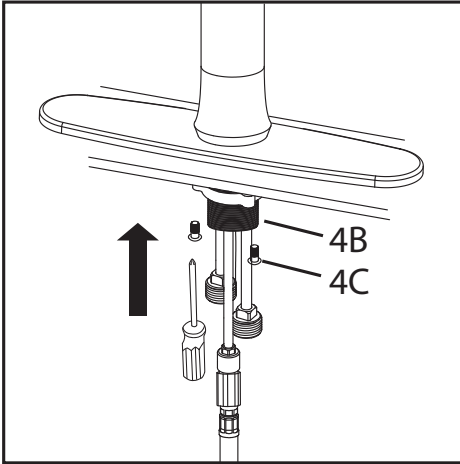
For single-hole installation:
Deck plate (3A), base plate
(3B), and silicone sealant
are **NOT** required

Step 3: Install faucet and mounting hardware



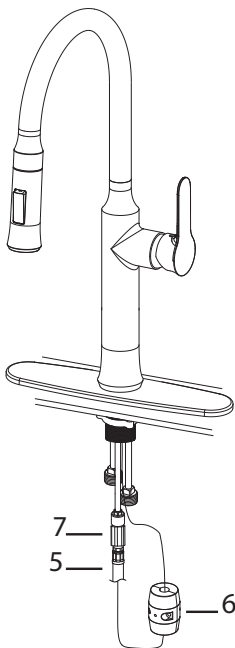
Insert faucet body (2) into
hole in countertop or deck
plate assembly (3). Install
mounting hardware (4A, B
& C) from underneath the
countertop

Step 4: Secure mounting hardware



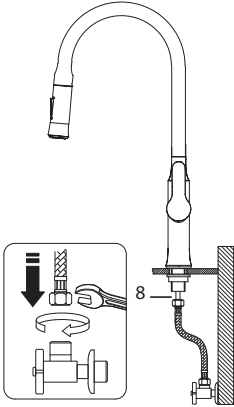
Adjust direction of faucet body (2) so that handle is on right side of faucet. Tighten mounting nut (4B) until snug. Tighten mounting screws (4C) to nut with a Phillips screwdriver until snug

Step 5: Attach spray hose and counterweight



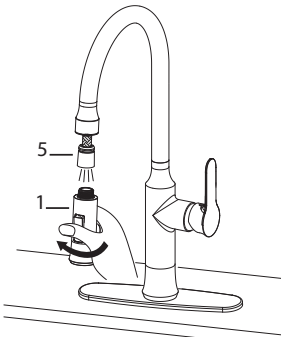
Connect spray hose (5) to check valve (7) attached to supply line. Install weight (6) on lowest vertical point on spray hose (5)

Step 6: Connect waterlines



Connect waterlines (not included) to hot and cold copper lines (8). Connect waterlines (not included) to angle stops. Tighten both ends of waterlines with a wrench until snug. Turn on hot and cold angle stops and check for leaks

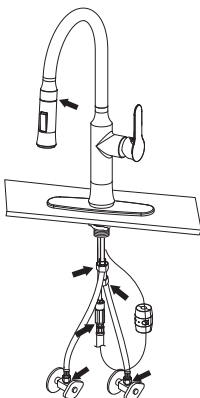
Step 7: Flush spray hose



Remove spray head (1) from spray hose (5). Hold tip of spray hose (5). Turn faucet on and let the water run for 60 seconds to flush any debris

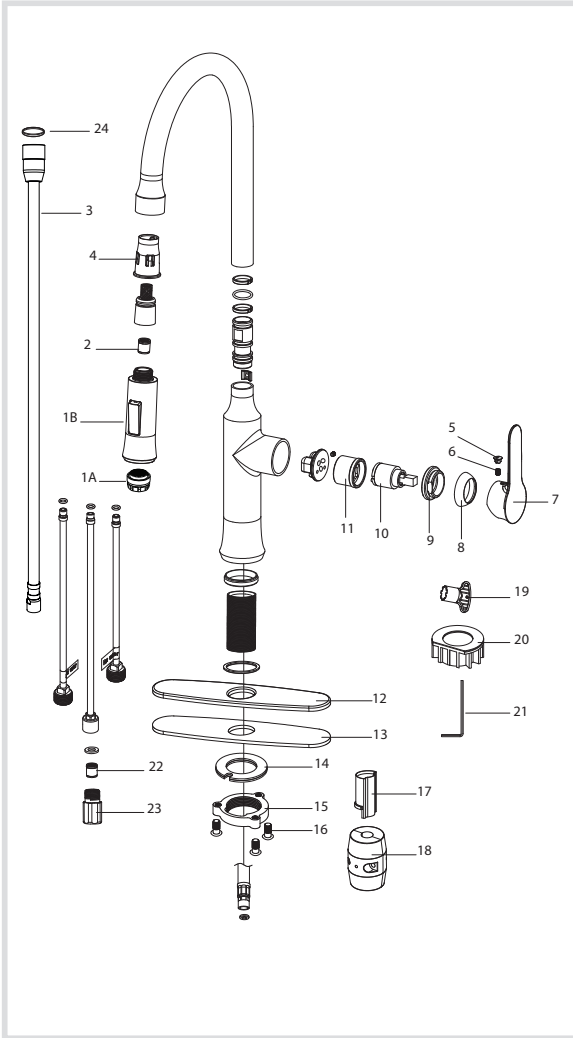
NOTE: Please make sure washer (12) is installed attaching spray head to hose

Step 8 Check for leaks



Check for leaks at the connections. Retighten if necessary

Replacement Parts



1. a. Aerator
b. Spray Head
2. Check Valve
3. Spray Hose
4. Hose Guide
5. Handle Button
6. Set Screw
7. Metal Handle
8. Cartridge Cover
9. Locking Nut
10. Cartridge
11. Cartridge Housing
12. Deck Plate
13. Base Plate
14. Rubber & Metal Washer
15. Mounting Nut
16. Mounting Screws
17. Protective Sleeve
18. Weight
19. Aerator Key
20. Faucet Extender
21. Hex Wrench
22. Check Valve
23. Connector
24. Washer

Care & Maintenance

*To keep the product clean & shining, follow the steps below:

1. Rinse with clean water & dry with a soft cloth
2. Do not clean with soaps, acid, polish, abrasives, or harsh cleaners
3. Do not use cloth with a coarse surface
4. Unscrew the aerator and clean when necessary

*This installation manual is subject to change without further notice.

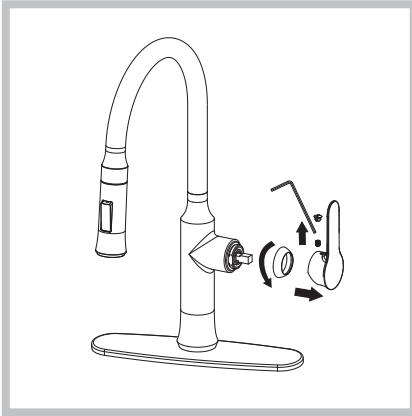


Trouble - Shooting

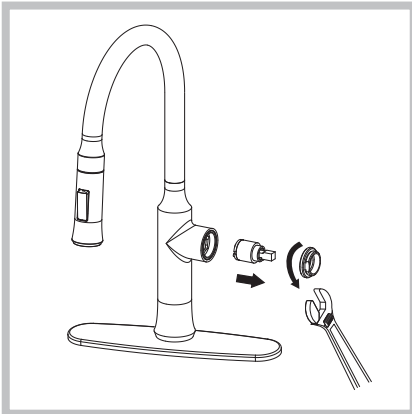
If you have followed the instructions carefully and your faucet still does not work properly, take the following corrective steps:

| PROBLEM | CAUSE | ACTION |
|---|--|--|
| Leakage under faucet handle | Locking nut has come loose or cartridge needs to be reseated | Remove button located at top of handle. Loosen set screw with hex wrench. Remove handle and unscrew cartridge cover by hand. Tighten locking nut with an adjustable wrench |
| Water does not shut off completely | Cartridge may need to be adjusted or replaced | Remove button located at top of handle. Loosen set screw with hex wrench. Remove handle and unscrew cartridge cover by hand. Unscrew locking nut with an adjustable wrench. Remove ceramic disc cartridge. Check for cracks, and if O-ring is seated correctly. Reseat cartridge |
| Leaking between spray head and the hose | Spray head may be loose or washer is not seated correctly in the hose connection | Tighten spray head by hand until snug. Make sure washer is seated correctly |
| Hose does not retract | Weight may be installed incorrectly | Readjust weight on hose |
| Low flow | Aerator may be clogged | Unscrew aerator with aerator key. Hold tip of spray head and turn on water to flush debris |

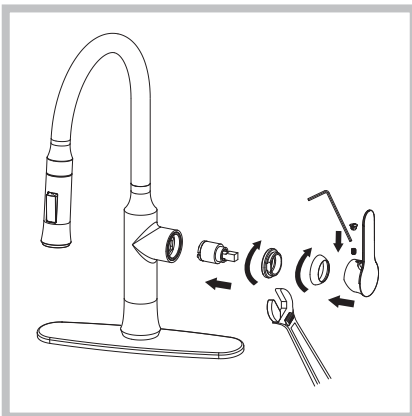
Maintenance - Cartridge Replacement



Step 1: Remove button located at the top of the handle. Loosen the set screw with a hex wrench. Remove the handle and unscrew cartridge cover by hand



Step 2: Unscrew the locking nut with an adjustable wrench. Remove ceramic disc cartridge



Step 3: Place the new cartridge in the handle seat. Secure the cartridge with the locking nut and assemble the handle

Codes/Standards Applicable:



NSF/ANSI Standard 61 certified by IAPMO
NSF/ANSI Standard 372 certified by IAPMO



Meets ASME A112.18.1M/A112.18.1
1.75GPM 6.6L/min maximum

HELP LINE

Our customer service hours are Monday – Friday, 9am – 8pm EST.
Be sure to visit our website at www.kraususa.com

If you are a homeowner please contact a Kraus Customer Service Representative at:

Kraus USA, Inc.
12 Harbor Park Drive
Port Washington, NY 11050
Toll-free 800-775-0703
Customerservice@kraususa.com

If you are a plumbing contractor or trade professional please contact a Kraus Pro Representative at:

Kraus USA, Inc.
12 Harbor Park Drive
Port Washington, NY 11050
516-801-8955
Proservice@kraususa.com

If you are an Authorized Partner please contact a Partner Support Representative at:

Kraus USA, Inc.
12 Harbor Park Drive
Port Washington, NY 11050
516-801-8954
Partnersupport@kraususa.com

In requesting warranty service, please be ready to provide:

1. Proof of purchase.
2. A description of the problem.

Download the Kraus Care & Maintenance Guide at:

<http://www.kraususa.com/maintenance>

Kräus[®]

www.kraususa.com

REGISTER YOUR PRODUCT TODAY

Receive Proof of Ownership
Access Customer Care & Installation Help
Get Exclusive Kraus Offers & Promotions



Scan to Register Online
or visit <http://www.kraususa.com/registration>

We're always looking for ways to improve.

Please take a moment to share your experience.
Visit <http://www.kraususa.com/review> to let us know what you think
about your new Kraus product.

Contact Us to Learn More
1.800.775.0703 / www.kraususa.com / customerservice@kraususa.com
Like & Follow KrausUSA

Download the Kraus Care & Maintenance Guide at:
<http://www.kraususa.com/maintenance>



Kräus[®]

www.kraususa.com