

# HIGH-END CONVECTOR

ASOR SERIES

PATENT PENDING

# ORLÉANS™

## CANADIAN INNOVATION FOR THE BENEFIT OF COMFORT

°STELPRO has reinvented the convector with the new ORLÉANS™ high-end convector. With its unique design, the ORLÉANS™ offers a rise in temperature faster than any other convector on the market, ensuring optimal comfort in no time at all. The optional built-in thermostat is equipped with the Zigbee protocol, so it can be connected to the smart home. In addition, the convector is available in optional colors exclusive to °STELPRO, colors that will enhance even the most simple decor. Energy efficiency, connectivity, adjusted profile and a wide variety of models, the ORLÉANS™ is now the benchmark for high-end convectors.



### 30% SLIMMER CONVECTOR\*

STYLISH AND COMPACT DESIGN

### OPTIMUM EFFICIENCY

TEMPERATURE RISE 25% FASTER\*

### BUILT-IN THERMOSTAT AVAILABLE (OPTIONAL)

READY FOR THE SMART HOME

### QUICK AND EASY INSTALLATION

EXCLUSIVE BRACKET SYSTEM

### NEW STYLISH WHITE SATIN FINISH

### IDEAL FOR:

LIVING ROOMS, KITCHENS, BEDROOMS, OFFICES, HALLWAYS, BASEMENTS, BUSINESSES, WAITING ROOMS, CONFERENCE ROOMS

### COLORS

- standard: white, soft white
- ORORA (optional): denim blue, midnight blue, turquoise, moss green, canary yellow, red, orange, anodized aluminum paint, gravel gray, charcoal, espresso, almond, black (refer to [www.stelpro.com/en-US/orora](http://www.stelpro.com/en-US/orora))

### FINISH

epoxy-polyester powdercoat

### MANUFACTURING

- 20-gauge steel cabinet and front
- aluminum grille and front of sides
- bottom air intake and top air discharge
- the cabinet height improves the chimney effect
- safe, rounded corners
- easy access to controls
- thermal protection with automatic reset

### ELEMENT

quiet element designed for increased heat dissipation

### CONTROL

- built-in thermostat equipped with the Zigbee protocol
- consumption indicator going from green or red depending on the required set temperature
- open window detector

### INSTALLATION

- surface
- wall mounted at least 4 in. from the floor
- innovative mounting bracket facilitating height adjustment

\* Compared to similar convectors. Heat rise tested in laboratory.

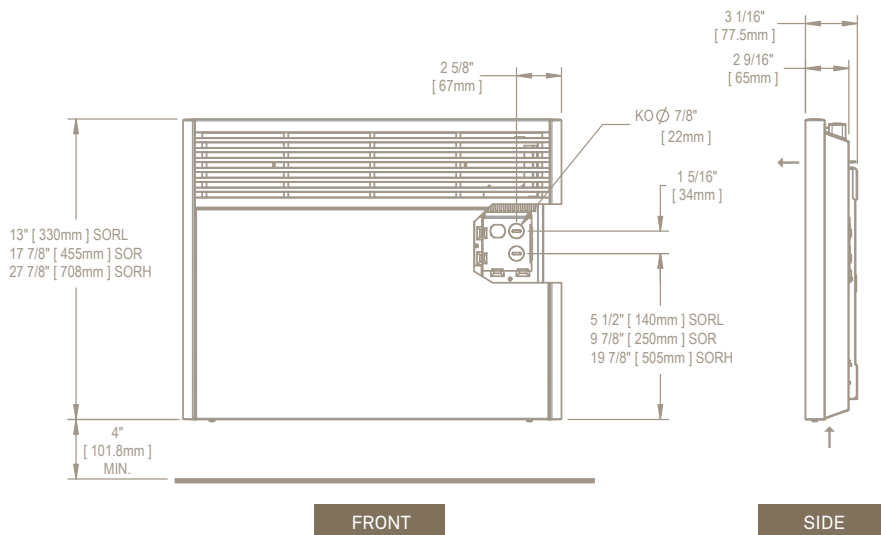


# TECHNICAL SPECIFICATIONS

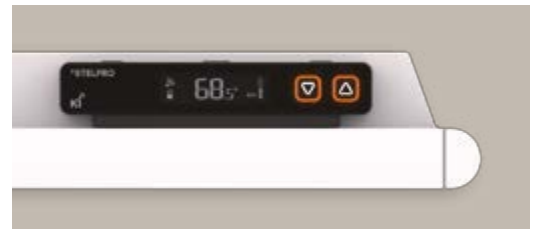
BUILT-IN THERMOSTAT	WITHOUT THERMOSTAT	POWER		VOLTAGE	LENGTH	WEIGHT
CODE	CODE	WATTS	BTU/H	VOLTS	IN.	LB
<b>HIGH MODEL – height of 27 7/8 in.</b>						
ASORH1002	ASORH1002WC	1000/750	3413	240/208	18	15
ASORH1502	ASORH1502WC	1500/1125	5119	240/208	24 1/2	19.4
ASORH2002	ASORH2002WC	2000/1500	6825	240/208	30 1/4	23.2
<b>LOW MODEL – height of 13 in.</b>						
ASORL1002	ASORL1002WC	1000/750	3413	240/208	29 1/2	11.5
ASORL1502	ASORL1502WC	1500/1125	5119	240/208	38 7/8	15.2
ASORL2002	ASORL2002WC	2000/1500	6825	240/208	50 1/4	18.3
<b>STANDARD MODEL – height of 17 7/8 in.</b>						
ASOR0502	ASOR0502WC	500/375	1706	240/208	18	10.7
ASOR1002	ASOR1002WC	1000/750	3413	240/208	23 1/2	13.2
ASOR1502	ASOR1502WC	1500/1125	5119	240/208	29 1/4	15.9
ASOR2002	ASOR2002WC	2000/1500	6825	240/208	35 1/4	21.4

Add W for white or SW for soft white (see [www.stelpro.com/en-US/orora](http://www.stelpro.com/en-US/orora) for optional colors and contact your \*STELPRO representative for more information)  
Thermostat included except WC = without control.

## TECHNICAL DRAWINGS



## CONTROL



**BUILT-IN ELECTRONIC THERMOSTAT READY FOR THE SMART HOME (OPTIONAL)**

**CONTROL THE TEMPERATURE FROM YOUR SMARTPHONE, TABLET AND COMPUTER**



**zigbee**  
COMPATIBLE CONTROLLER REQUIRED

