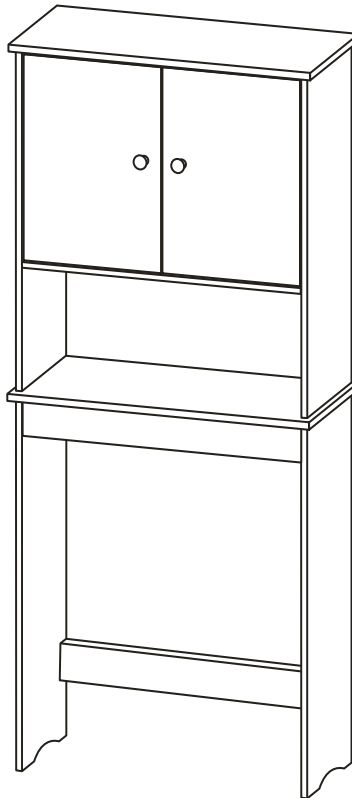




ASSEMBLY INSTRUCTIONS



RiverRidge® Medford Spacesaver

ITEM #: 06-104 White

ADULT ASSEMBLY REQUIRED

This product requires assembly by an adult because of small parts. Care should be taken in unpacking and assembling this item to keep small parts away from children. During assembly children should be kept away from the product due to possible risk of injury.

WARNING SEE FULL WARNING ON PAGE 2

Young children can be seriously injured or killed if furniture tips over. Don't use this item for a TV stand or place heavy objects on top of item. Always use angle-braces or anchors to secure furniture to the wall.

THIS SHELF UNIT WILL HOLD UP TO 25 POUNDS PER SHELF OR A TOTAL OF 75 POUNDS. DO NOT LOAD EACH SHELF WITH MORE THAN 25 POUNDS OR 75 POUNDS TOTAL WEIGHT. IF OVERLOADED WITH MORE THAN 25 POUNDS PER SHELF OR 75 POUNDS TOTAL WEIGHT, SHELF MAY FALL FROM THE WALL AND CAUSE SERIOUS INJURY OR DEATH.

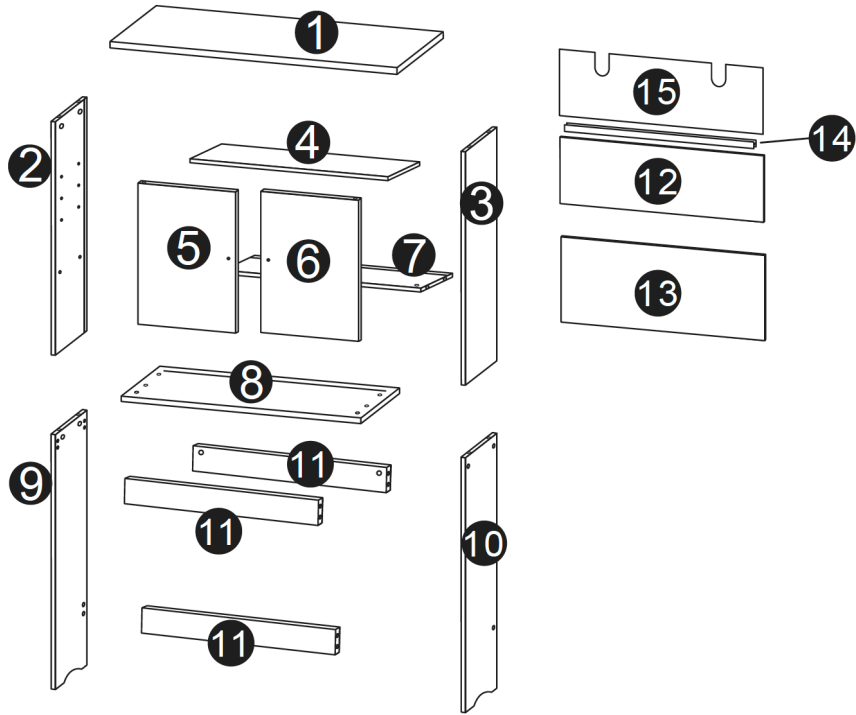


WARNING




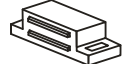



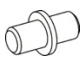






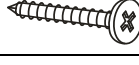





SERIOUS OR FATAL INJURIES CAN OCCUR FROM FURNITURE TIP-OVER. TO HELP PREVENT TIP-OVER:

- **Always use tip over restraints and/or wall anchors to secure furniture to the wall**
- **Place heaviest items in the lowest drawers/bins or shelves**
- **Do not set TV's or other heavy objects on the top of this product**
- **Never allow children to climb or hang on to the drawers/bins, doors or shelves of furniture**
- **Never open more than one drawer at a time or defeat or remove any drawer interlock system**

PARTS LIST



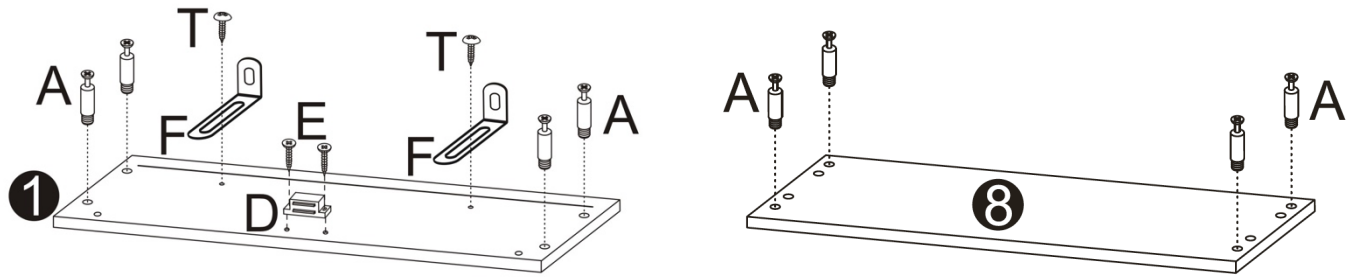
NO	QTY	DESCRIPTION
1	1PC	Top Board
2	1PC	Upper Left Side Panel
3	1PC	Upper Right Side Panel
4	1PC	Adjustable Shelf
5	1PC	Left Door
6	1PC	Right Door
7	1PC	Bottom Shelf
8	1PC	Middle Board
9	1PC	Lower Left Side Panel
10	1PC	Lower Right Side Panel
11	3PCS	Cross Bar
12	1PC	Upper Back Board
13	1PC	Lower Back Board
14	1PC	Plastic Connection Strip
15	1PC	Upper Back Board

NO	PARTS	QTY	DESCRIPTION
A		12PCS	Cam Bolt
B		12PCS	Cam Lock
C		8PCS	Wood Dowel
D		1PC	Magnet
E		10PCS	Screw (3x14mm)
F		2PCS	Adjustable Anchor Bracket
G		2PCS	Screw (3x10mm)
H		4PCS	Shelf Holder
I		4PCS	Screw (4x35mm)
J		2PCS	Magnet Plate
K		4PCS	Door Pin
L		2PCS	Screw (4x25mm)
M		2PCS	Knob
N		6PCS	Plastic Nut
O		6PCS	Screw (5x35mm)
P		6PCS	Plastic Cap
Q		2PCS	Plastic Anchor
R		2PCS	Screw (4x30mm)
S		8PCS	Plastic Bracket
T		2PCS	Screw (4x12mm)

**TOOLS NEEDED FOR ASSEMBLY: FLAT & PHILLIPS SCREWDRIVER (NOT INCLUDED)
THE USE OF A POWER SCREWDRIVER IS NOT RECOMMENDED FOR ASSEMBLY
DO NOT USE ITEM IF ANY PARTS ARE MISSING OR DAMAGED**

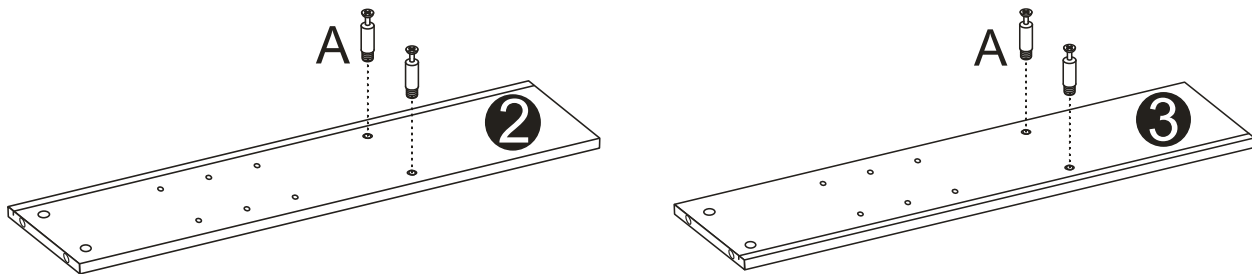
To order replacement parts at no cost to you, email customer.service@ssi-rr.com, call 1-(844)-223-5201 or order parts online at www.riverridgehome.com. Only valid in the United States. If purchased outside of the United States, please contact retailer where purchased.

STEP 1



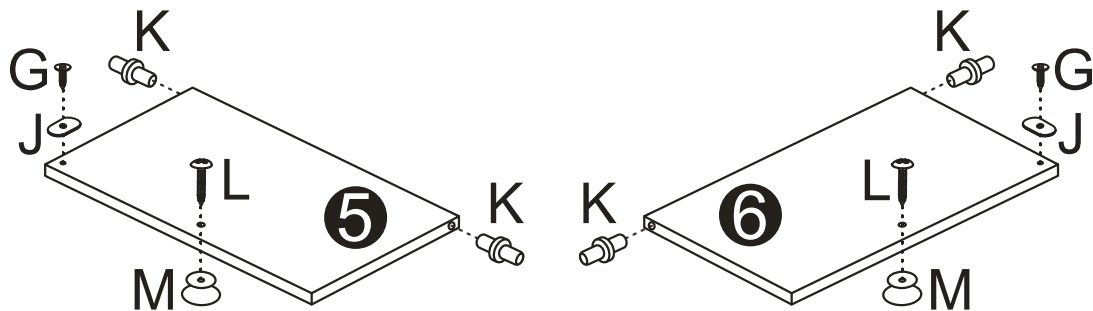
1. Screw 4 cam bolts (A) into cam bolt holes on top board (1).
2. Attach magnet (D) to top board (1) by inserting 2 screws (E) through holes on magnet (D) and tighten to top board (1).
3. Attach metal brackets (F) to top board (1) by inserting 2 screws (T) through holes on metal brackets (F) and tighten to top board (1).
4. Screw 4 cam bolts (A) into cam bolt holes on middle board (8).

STEP 2



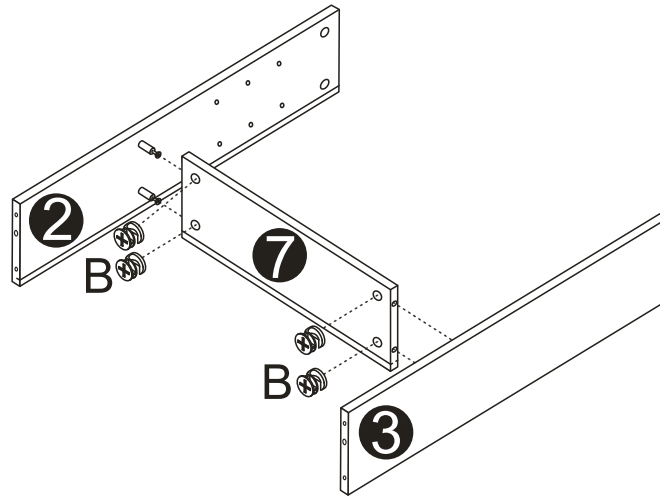
1. Screw 2 cam bolts (A) into cam bolt holes on upper left side panel (2).
2. Screw 2 cam bolts (A) into cam bolt holes on upper right side panel (3).

STEP 3



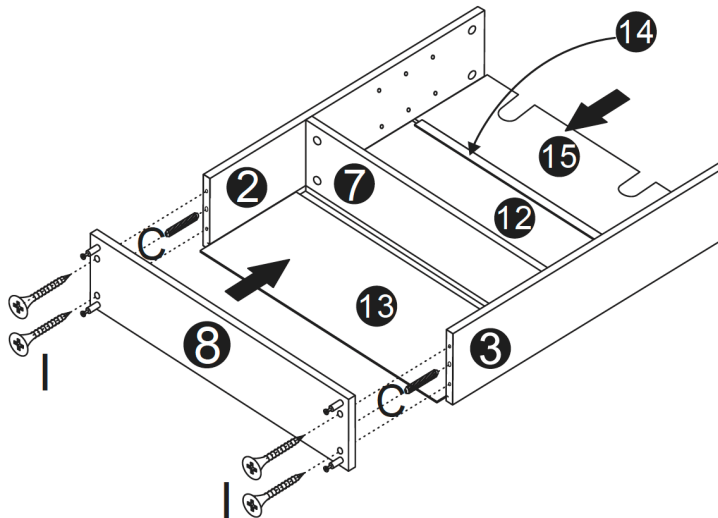
1. Attach magnet plate (J) to left door (5) by inserting 1 screw (G) through hole on magnet plate (J) and tighten to left door (5).
2. Attach knob (M) to left door (5) by inserting 1 screw (L) through hole on left door (5) and tighten to knob (M).
3. Insert 2 door pins (K) into holes on left door (5).
4. Repeat above steps for right door (6).

STEP 4



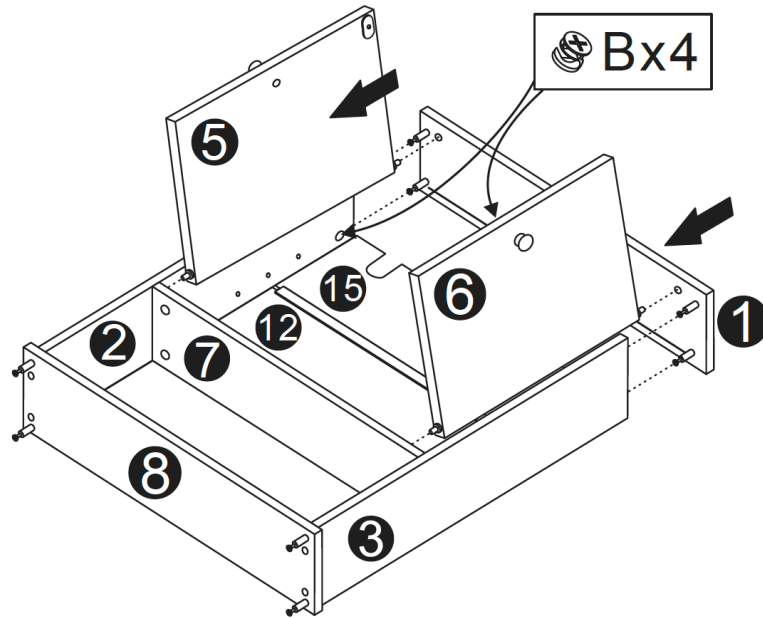
1. Attach upper left side panel (2) to bottom shelf (7) by inserting cam bolts (A) into cam lock holes on bottom shelf (7).
2. Insert 2 cam locks (B) into cam lock holes on bottom shelf (7) and rotate clockwise to secure cam bolts in place.
3. Attach upper right side panel (3) to bottom shelf (7) by inserting cam bolts (A) into cam lock holes on bottom shelf (7).
4. Insert 2 cam locks (B) into cam lock holes on bottom shelf (7) and rotate clockwise to secure cam bolts in place.

STEP 5



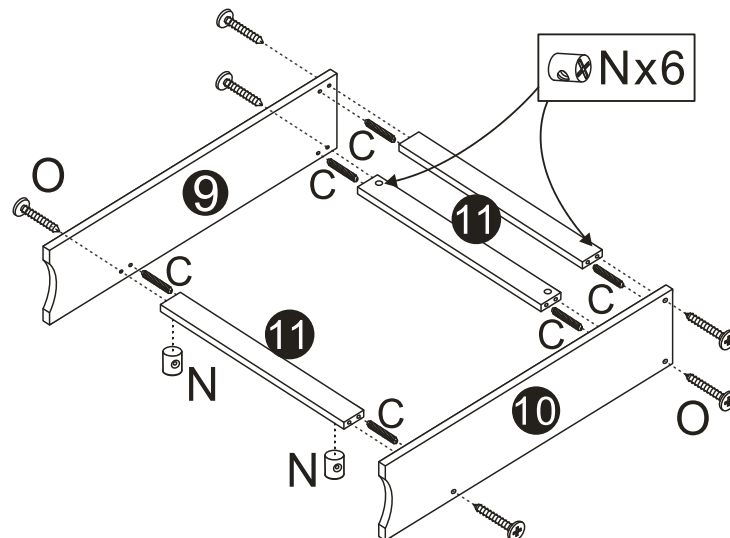
1. Slide lower back board (13) into grooves on upper left side panel (2), upper right side panel (3) and bottom shelf (7).
2. Insert 2 wood dowels (C) into dowel holes on upper left side panel (2) and upper right side panel (3).
3. Attach middle board (8) to upper left side panel (2), upper right side panel (3) and lower back board (13) by aligning groove on middle board (8) with lower back board (13) and inserting wood dowels (C) into wood dowel holes on middle board (8).
4. Insert 4 screws (I) through holes on middle board (8) and tighten to upper left side panel (2) and upper right side panel (3).
5. Slide upper back board (12) into grooves on upper left side panel (2), upper right side panel (3) and bottom shelf (7).
6. Attach plastic connection strip (14) to upper back board (12) and slide another upper back board (15) into grooves on upper left side panel (2), upper right side panel (3) and plastic connection strip (14).

STEP 6



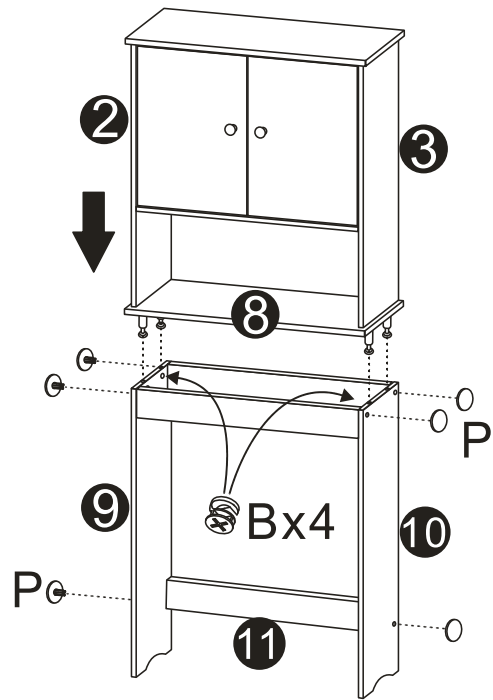
1. Attach left door (5) and right door (6) to bottom shelf (7) by inserting door pins (K) into door pin holes on bottom shelf (7).
2. Attach top board (1) to upper left side panel (2), upper right side panel (3), left door (5) and right door (6) by inserting door pins (K) into door pin holes on top board (1) and inserting cam bolts (A) into cam lock holes on upper left side panel (2) and upper right side panel (3).
3. Insert 4 cam locks (B) into cam lock holes on upper left side panel (2) and upper right side panel (3) and rotate clockwise to secure cam bolts in place.

STEP 7



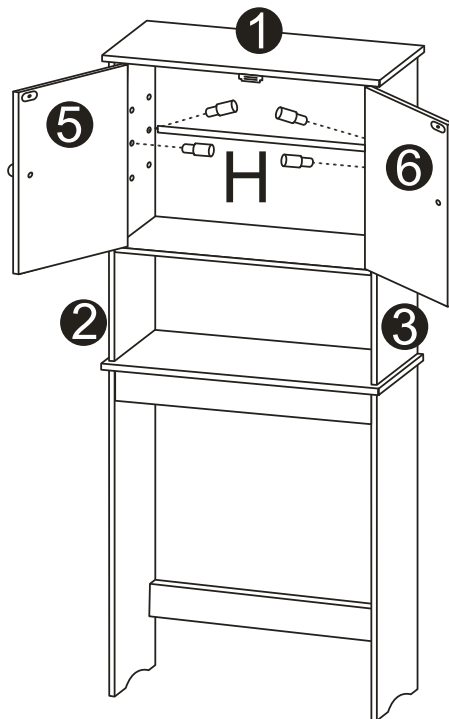
1. Insert 6 wood dowels (C) into wood dowel holes on end of cross bars (11).
2. Attach 3 cross bars (11) to lower left side panel (9) and lower right side panel (10) by inserting wood dowels (C) into wood dowel holes on lower left side panel (9) and lower right side panel (10).
3. Insert 6 plastic nuts (N) into nut holes on cross bars (11).
4. Insert 6 screws (O) through holes on lower left side panel (9) and lower right side panel (10) and tighten to cross bars (11).

STEP 8



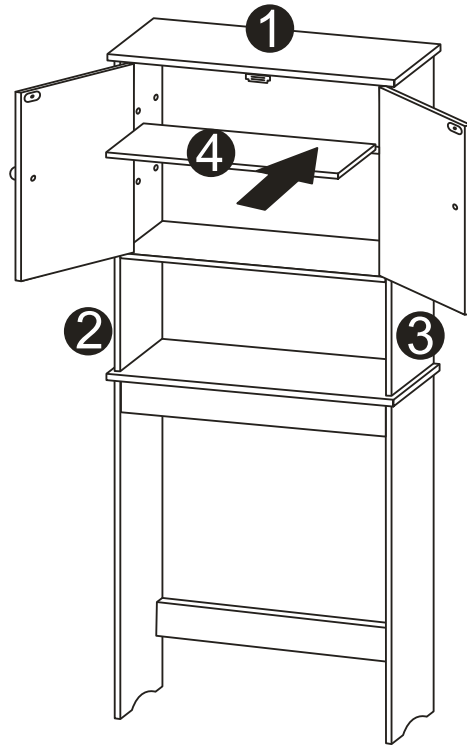
1. Attach pre-assembled upper unit to pre-assembled lower unit by inserting cam bolts (A) into cam lock holes on lower left side panel (9) and lower right side panel (10) and inserting 4 cam locks (B) into cam lock holes and rotating clockwise to secure cam bolts in place.
2. Press 6 plastic caps (P) into holes on lower left side panel (9) and lower right side panel (10).

STEP 9



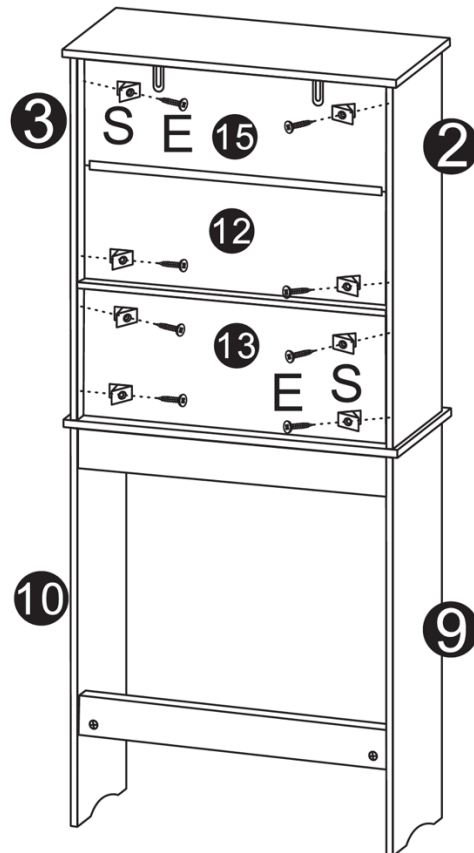
1. Insert 4 shelf holders (H) into holes on upper left side panel (2) and upper right side panel (3) and make sure all 4 holders are on same level.

STEP 10



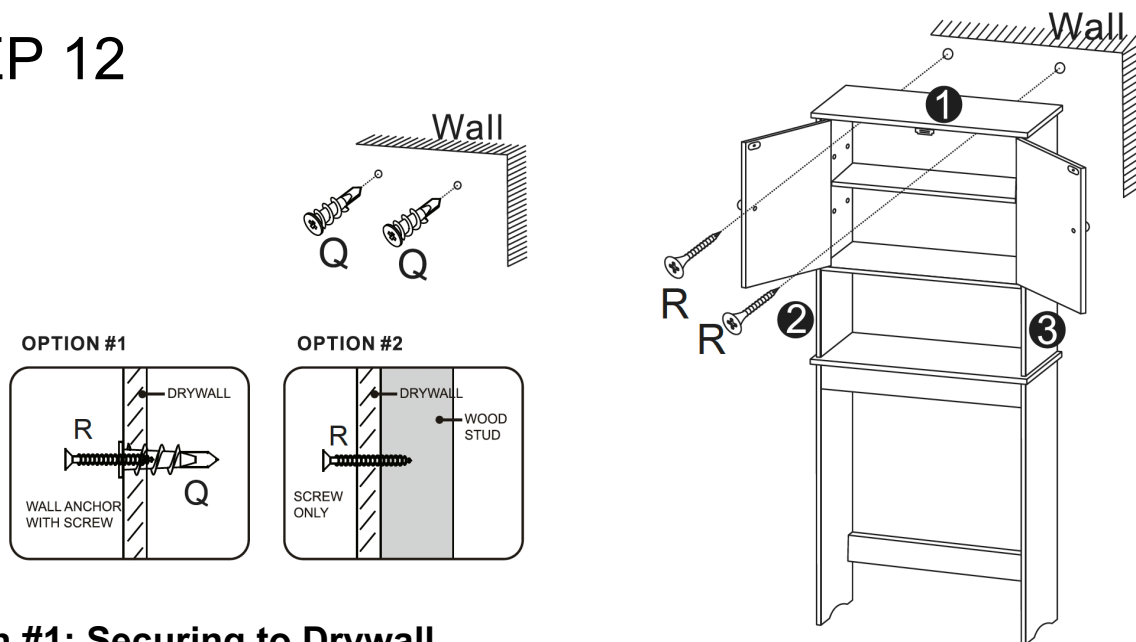
1. Place adjustable shelf (4) onto shelf holders (H).

STEP 11



1. Attach 8 plastic brackets (S) to back of cabinet by inserting 8 screws (E) through holes on plastic brackets (S) and tighten to cabinet.

STEP 12



Option #1: Securing to Drywall

1. Position spacesaver against wall in desired location. Using a pencil, make 2 small marks on wall through holes on brackets (F). Move cabinet away from wall and screw 2 plastic anchors (Q) into wall on pencil marks.
2. Place cabinet against wall, insert 2 screws (R) through holes on metal brackets (F), then tighten to plastic anchors (Q).

Option #2: Securing to Drywall and Wood Stud

1. Position spacesaver against wall in desired location. Insert 2 screws (R) through holes on metal brackets (F), then tighten through drywall and into wood stud.

*Tip: Anchor bracket (F) can be adjusted to correct distance from wall to cabinet as needed. Once adjusted, be sure to re-tighten bracket inside cabinet for stability.

ATTENTION ADULTS: Cabinet should be checked periodically for damage or loose screws/parts. Take appropriate action necessary to correct hazards such as tightening of screws and taking any damaged parts away from children.

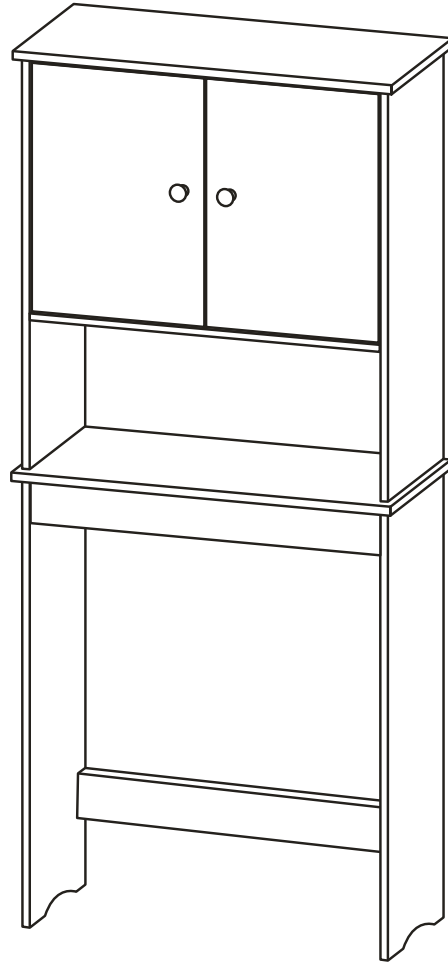
WARNING  Please make sure your item is secured to the wall, per assembly instructions.

CARE INSTRUCTIONS:

Wipe clean with a water dampened cloth. Wipe dry with clean cloth.

IMPORTANT:
Keep assembly instructions for future reference.

Enjoy your new RiverRidge® Spacesaver!



Thank you for purchasing this RiverRidge® Home item. We hope you enjoy it and consider purchasing other RiverRidge® items.

To order replacement parts at no cost to you, email customer.service@ssi-rr.com, call 1-(844)-223-5201 or order parts online at www.riverridgehome.com. Only valid in the United States. If purchased outside of the United States, please contact retailer where purchased.



RiverRidge® is a registered trademark of Sourcing Solutions, Inc., Hudson, WI 54016